

[54] ROBOT

[76] Inventors: Robert Doornick, 393 Rye Beach Ave., Rye, N.Y. 10580; Maris Ambats, 69 Wooster St., New York, N.Y. 10021

[\*\*] Term: 14 Years

[21] Appl. No.: 121,273

[22] Filed: Feb. 13, 1980

[51] Int. Cl. .... D21-01

[52] U.S. Cl. .... D21/150

[58] Field of Search ..... D21/150, 166; 46/103, 46/104, 105, 161, 265, 266

[56] References Cited

U.S. PATENT DOCUMENTS

D. 237,383	10/1975	Freeman	.....	D19/60
D. 252,936	9/1975	Tibbitts, Jr.	.....	D21/166
3,728,815	4/1973	Tomiyama	.....	D21/150
4,095,367	6/1978	Ogawa	.....	46/105
4,141,175	2/1979	Barlow et al.	.....	46/103

FOREIGN PATENT DOCUMENTS

46-330784 4/1971 Japan .  
46-330972 4/1971 Japan .

OTHER PUBLICATIONS

Playthings, Feb. 1979, p. 131, lower left, item 6, Model 4000XL, Starroid Robot.

Primary Examiner—Melvin B. Feifer  
Attorney, Agent, or Firm—Lane, Aitken, Kice & Kananen

[57] CLAIM

The ornamental design for a robot, substantially as shown and described.

DESCRIPTION

FIG. 1 is a front elevational view of a robot showing our new design;  
FIG. 2 is a rear elevational view of the robot design shown in FIG. 1;  
FIG. 3 is a plan view of the robot design shown in FIGS. 1 and 2;  
FIG. 4 is a right-side elevational view of the robot design; and  
FIG. 5 is a left-side elevational view of the robot design.

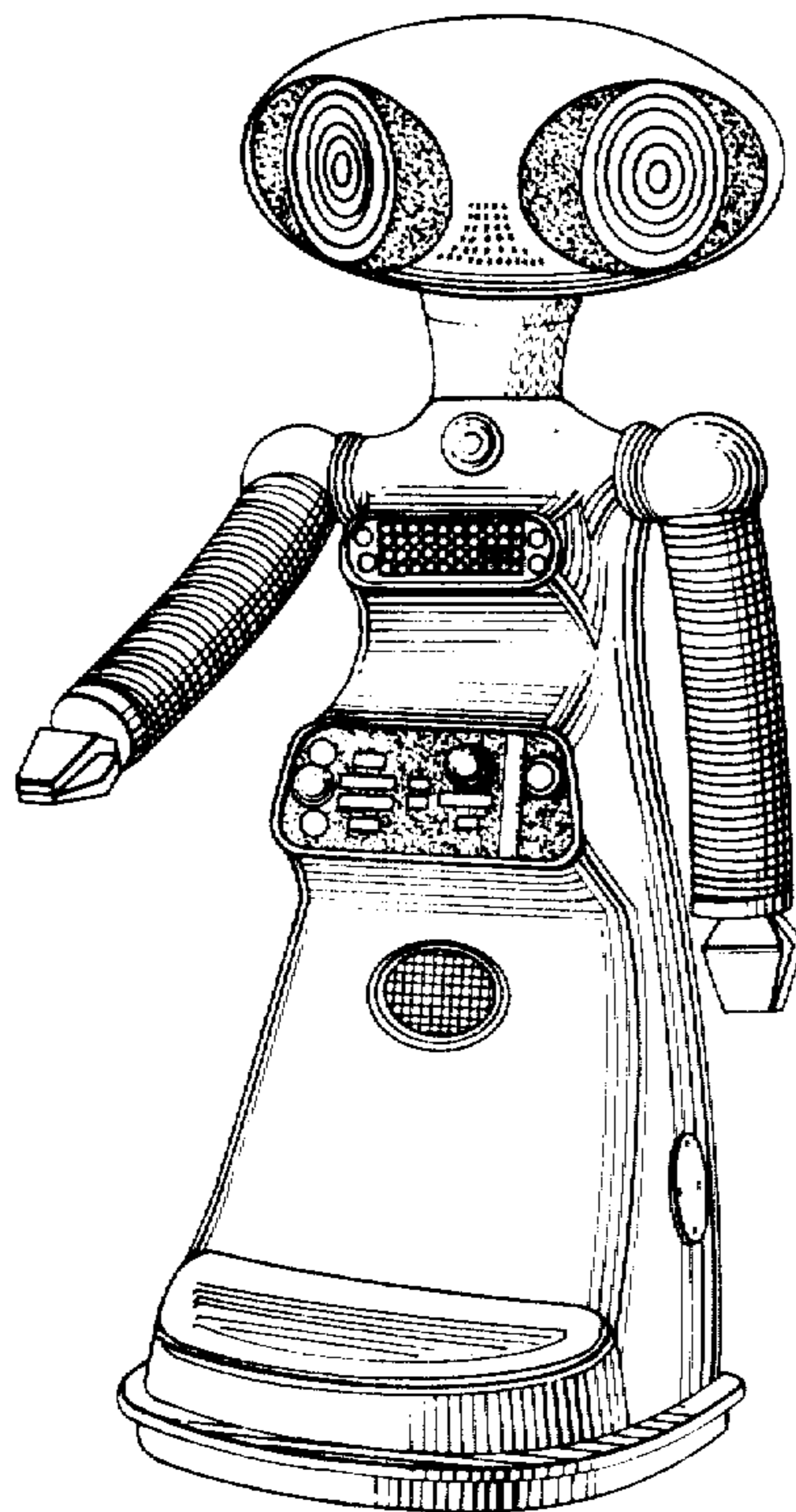


FIG. 1.

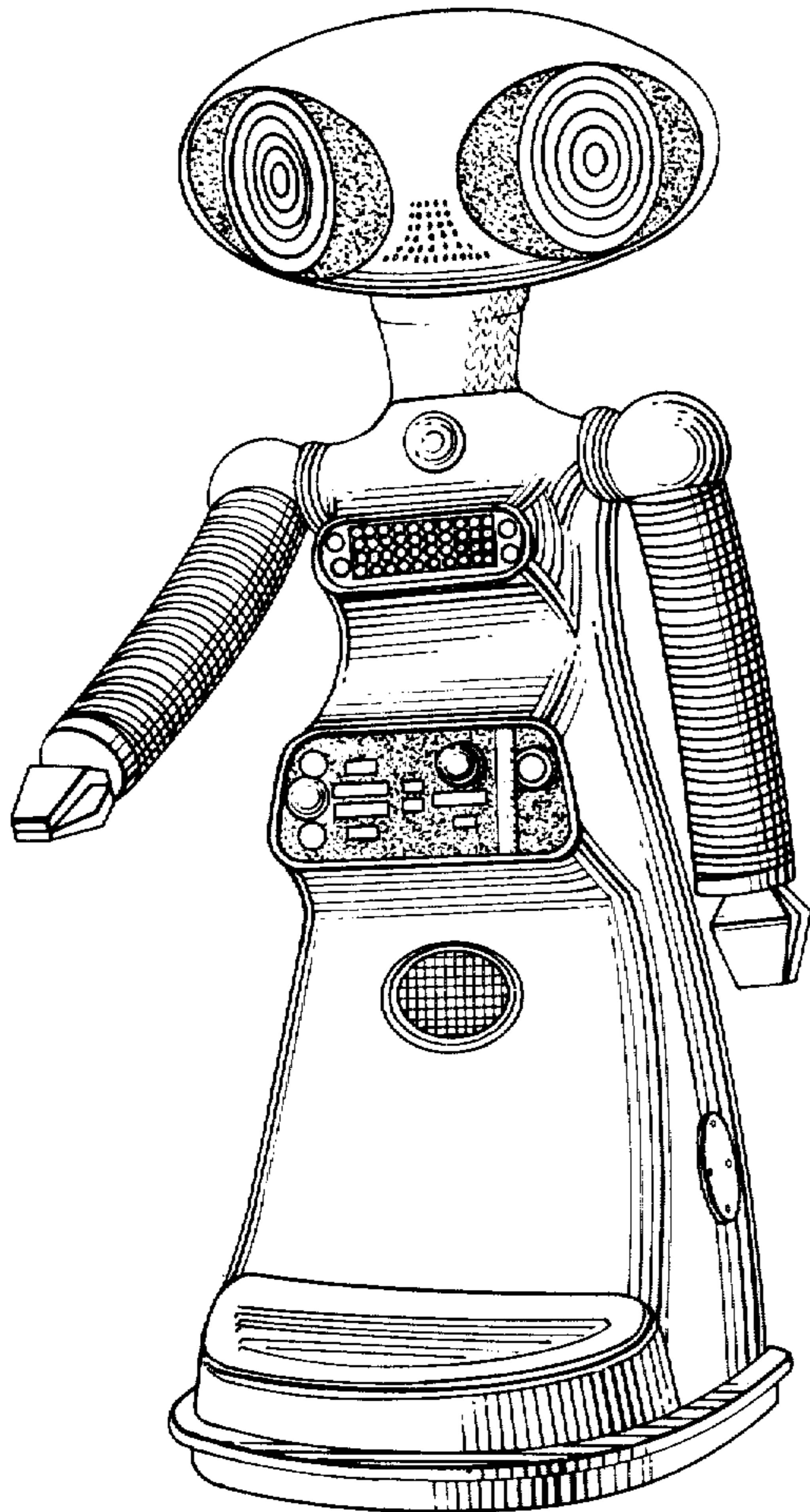


FIG. 2.

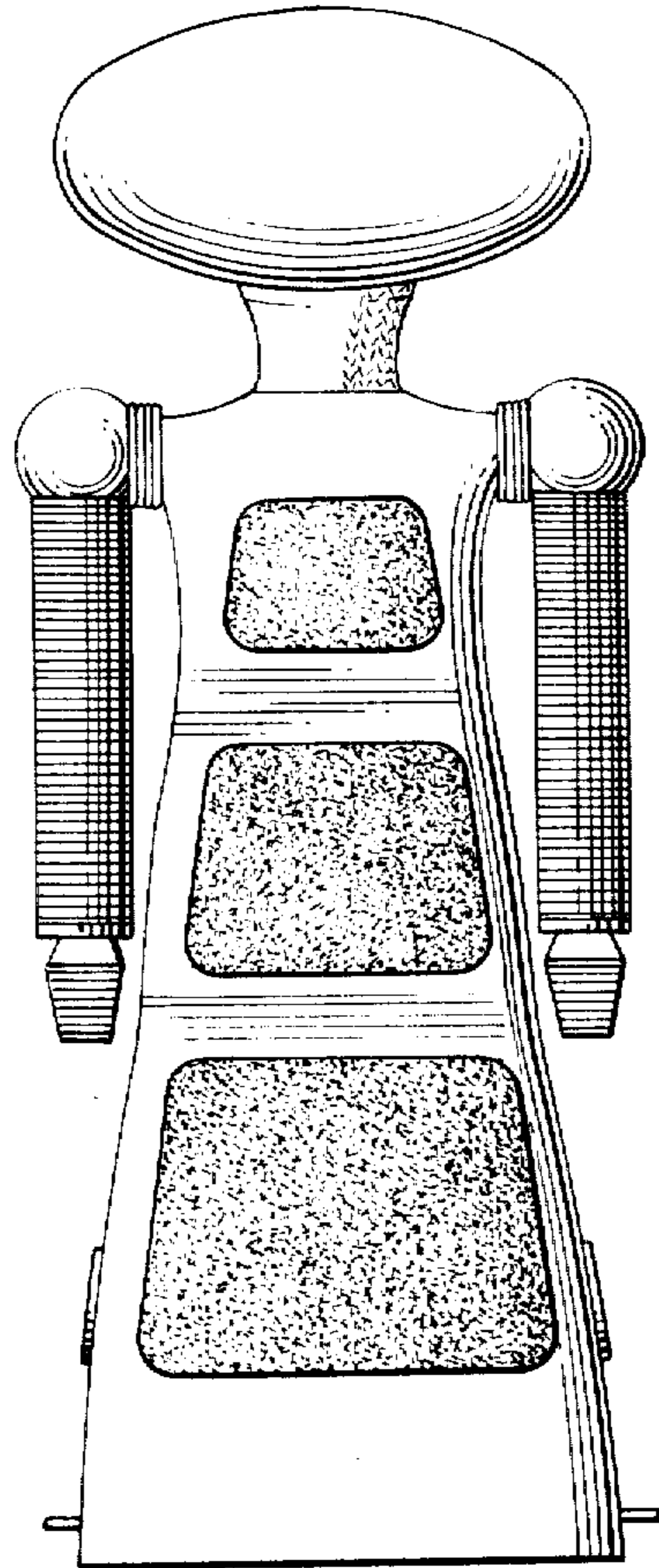


FIG. 3.

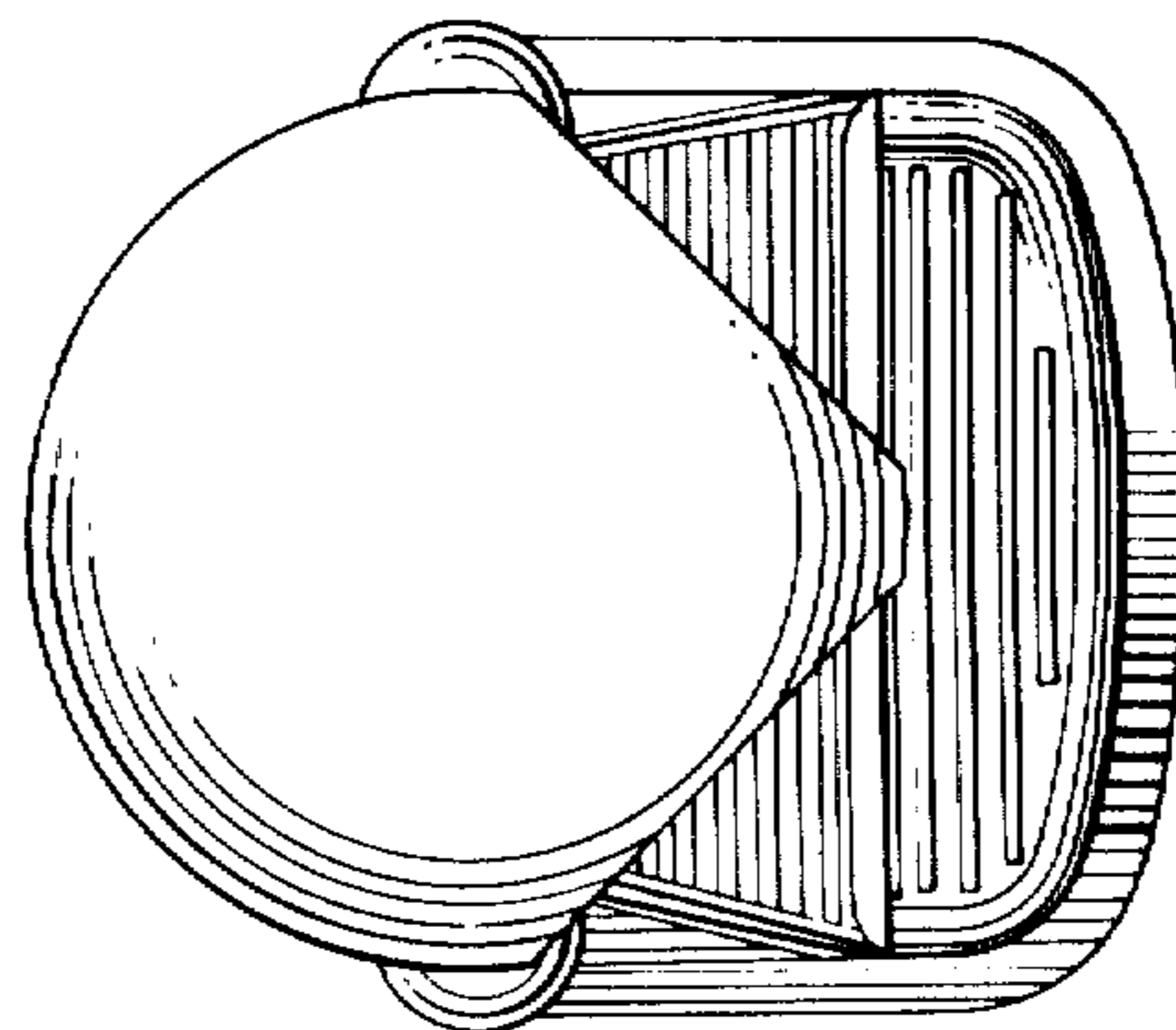


FIG. 4.

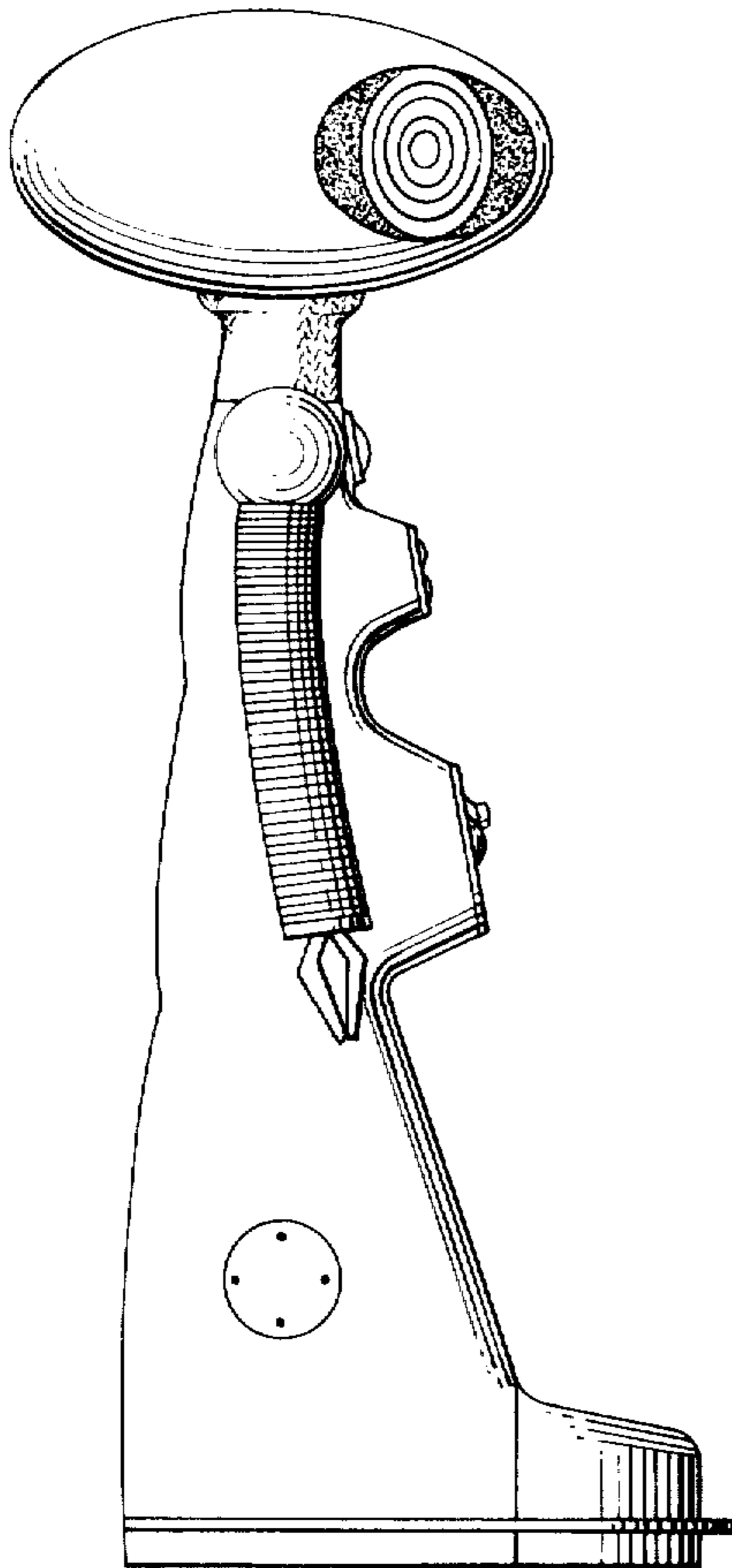


FIG. 5.

