

[54] TOY POWER DRILL

[75] Inventor: John R. Wildman, North Riverside, Ill.

[73] Assignee: Marvin Glass & Associates, Chicago, Ill.

[**] Term: 14 Years

[21] Appl. No.: 119,890

[22] Filed: Feb. 8, 1980

[51] Int. Cl. D21-01

[52] U.S. Cl. D21/120; D8/68

[58] Field of Search D8/64, 61, 62, 68; 30/272 A, 273, 393; D21/120; 46/1 R, 39, 40, 241; 310/50, 47; 74/166; D15/132

[56] References Cited

U.S. PATENT DOCUMENTS

D. 225,300 12/1972 Boldt D8/68
3,357,275 12/1967 Green, Jr. et al. D8/68 X

Primary Examiner—A. Hugo Word
Attorney, Agent, or Firm—Mason, Kolehmainen, Rathburn & Wyss

[57] CLAIM

The ornamental design for a toy power drill, as shown and described.

DESCRIPTION

FIG. 1 is a left side perspective view of a toy power drill showing my new design;

FIG. 2 is a top plan view thereof;

FIG. 3 is a left side elevational view thereof, the right side view being a mirror image thereof;

FIG. 4 is a bottom plan view thereof;

FIG. 5 is a front elevational view thereof; and

FIG. 6 is a rear plan view thereof.

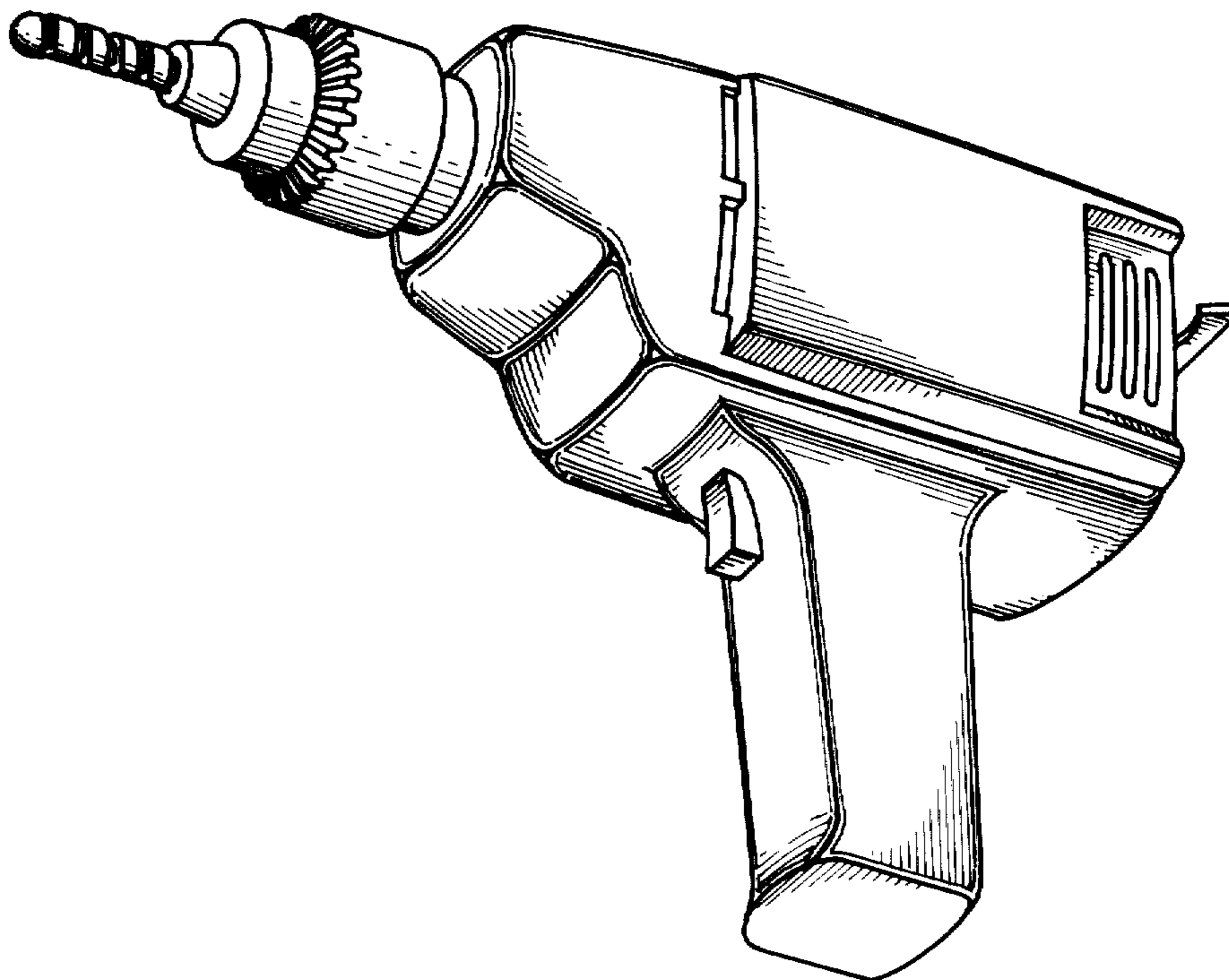


Fig 1

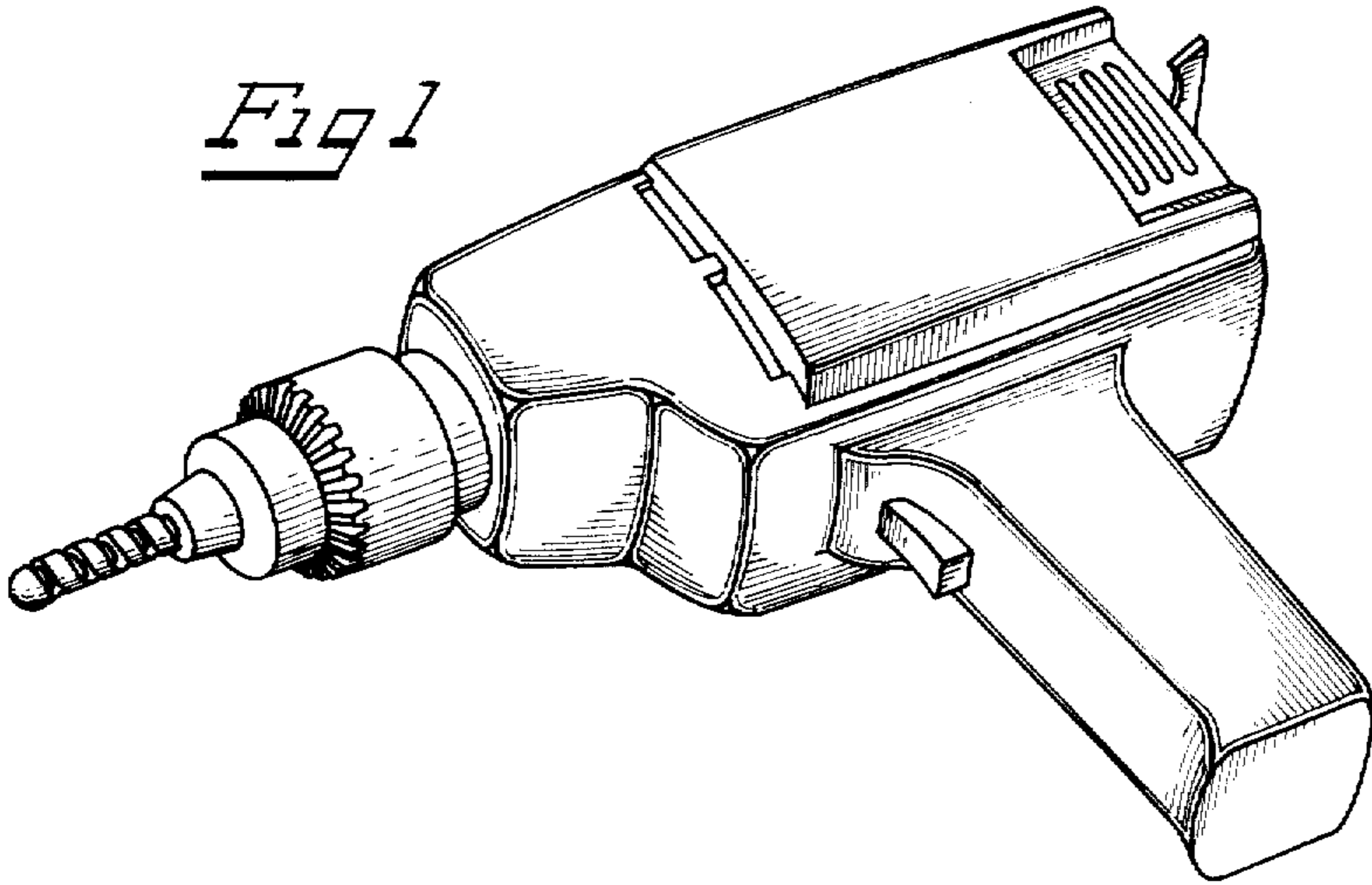


Fig 5

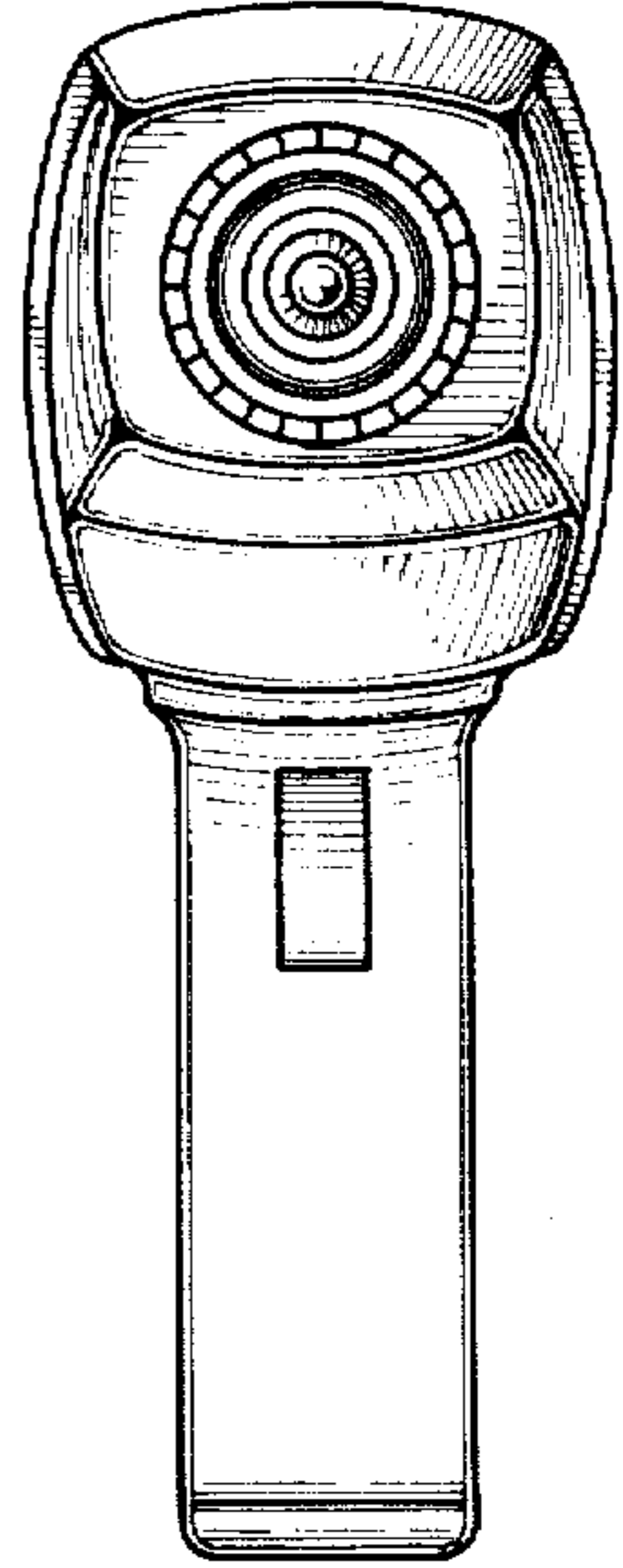


Fig 2

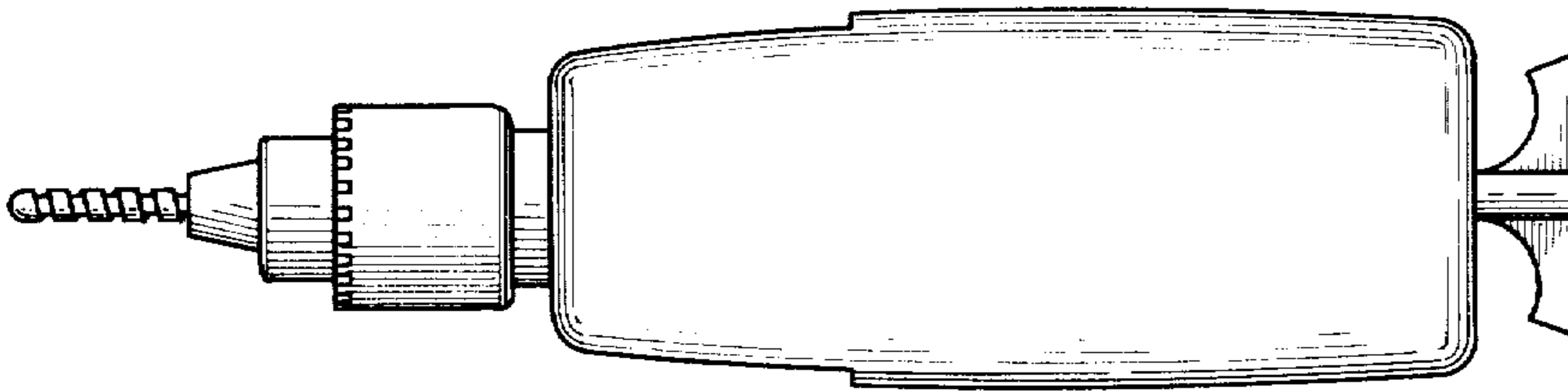


Fig 6

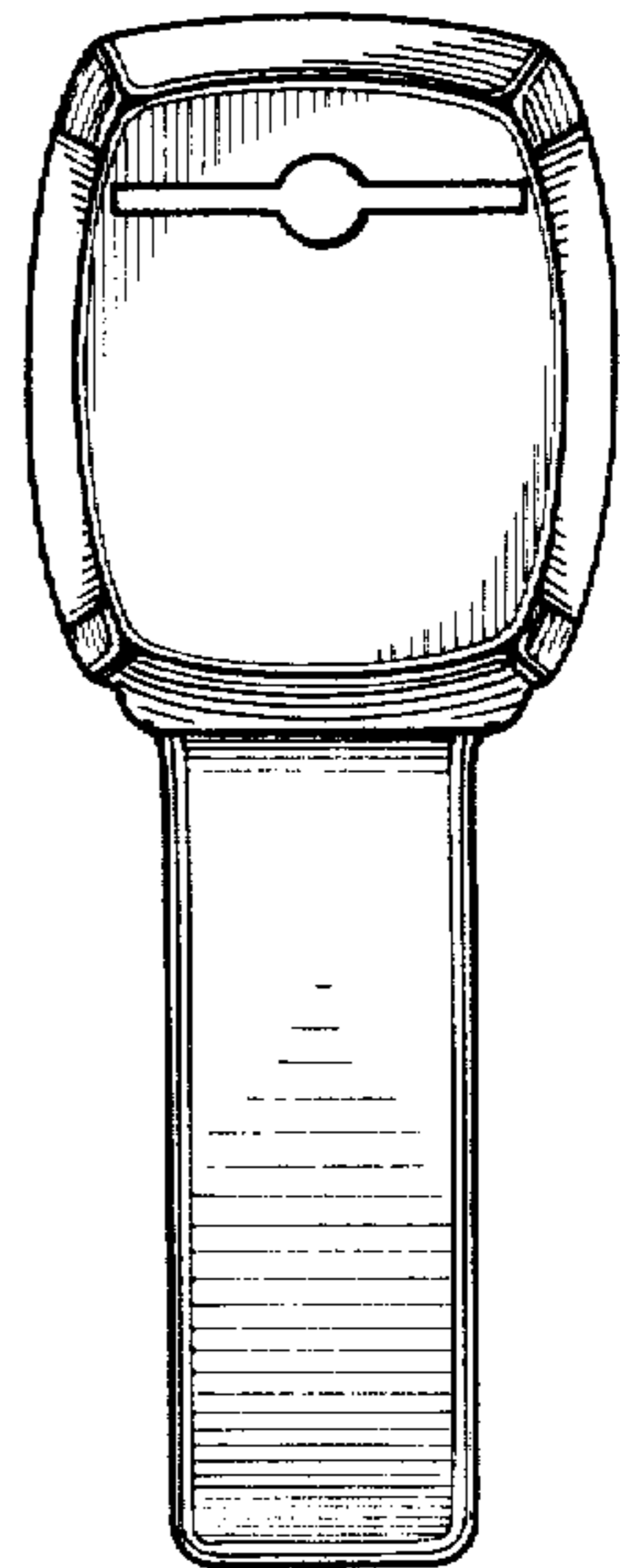


Fig 3

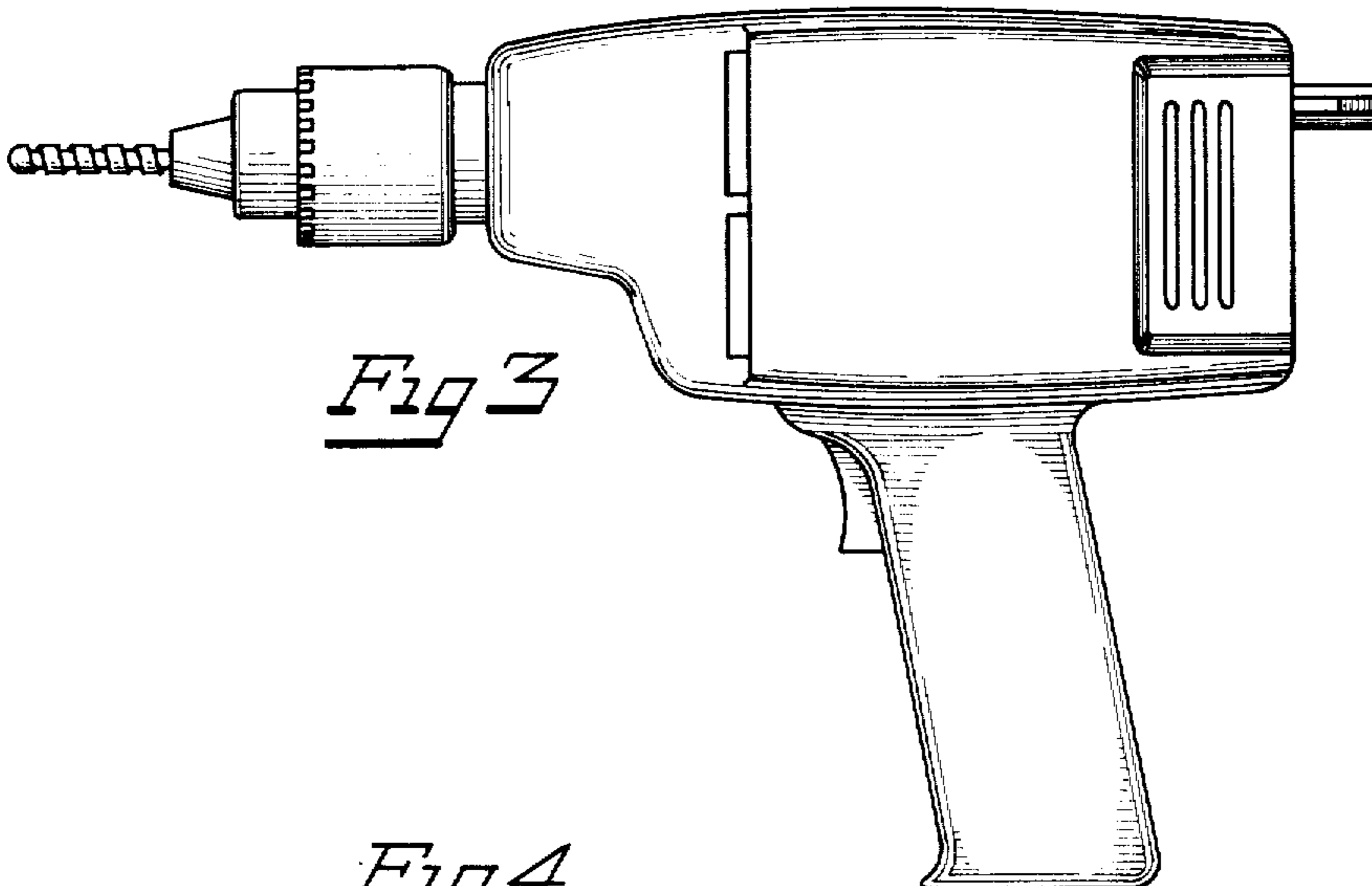


Fig 4

