

[54] KINETIC SCULPTURE

[76] Inventor: **Hidetoshi Matsui**, 6, Imazunaka
3-chome, Tsurumi-ku, Osaka 538,
Japan

[**] Term: **14 Years**

[21] Appl. No.: **52,214**

[22] Filed: **Jun. 25, 1979**

[30] Foreign Application Priority Data

May 25, 1979 [JP] Japan 54-21554

[51] Int. Cl. **D21-01**

[52] U.S. Cl. **D21/102; D11/141;
D11/160**

[58] Field of Search **D11/141, 160; D21/62,
D21/102, 166; 46/131, 155**

[56] References Cited

U.S. PATENT DOCUMENTS

2,372,761 4/1945 Boyd **D21/166 X**

FOREIGN PATENT DOCUMENTS

262824 10/1949 Switzerland 46/131
266667 5/1950 Switzerland 46/131

OTHER PUBLICATIONS

The Balancing Man on a Can, Flyer, photo at top.

Primary Examiner—Louis S. Zarfes

Attorney, Agent, or Firm—Pravel, Gambrell, Hewitt,
Kirk, Kimball & Dodge

[57] CLAIM

The ornamental design for kinetic sculpture, as shown
and described.

DESCRIPTION

FIG. 1 is a front elevational view of a kinetic sculpture
showing my new design;

FIG. 2 is an elevational view looking from the right of
FIG. 1;

FIG. 3 is a rear elevational view;

FIG. 4 is an elevational view looking from the left of
FIG. 1;

FIG. 5 is a top plan view;

FIG. 6 is a bottom plan view; and

FIG. 7 is a perspective view of the kinetic sculpture.

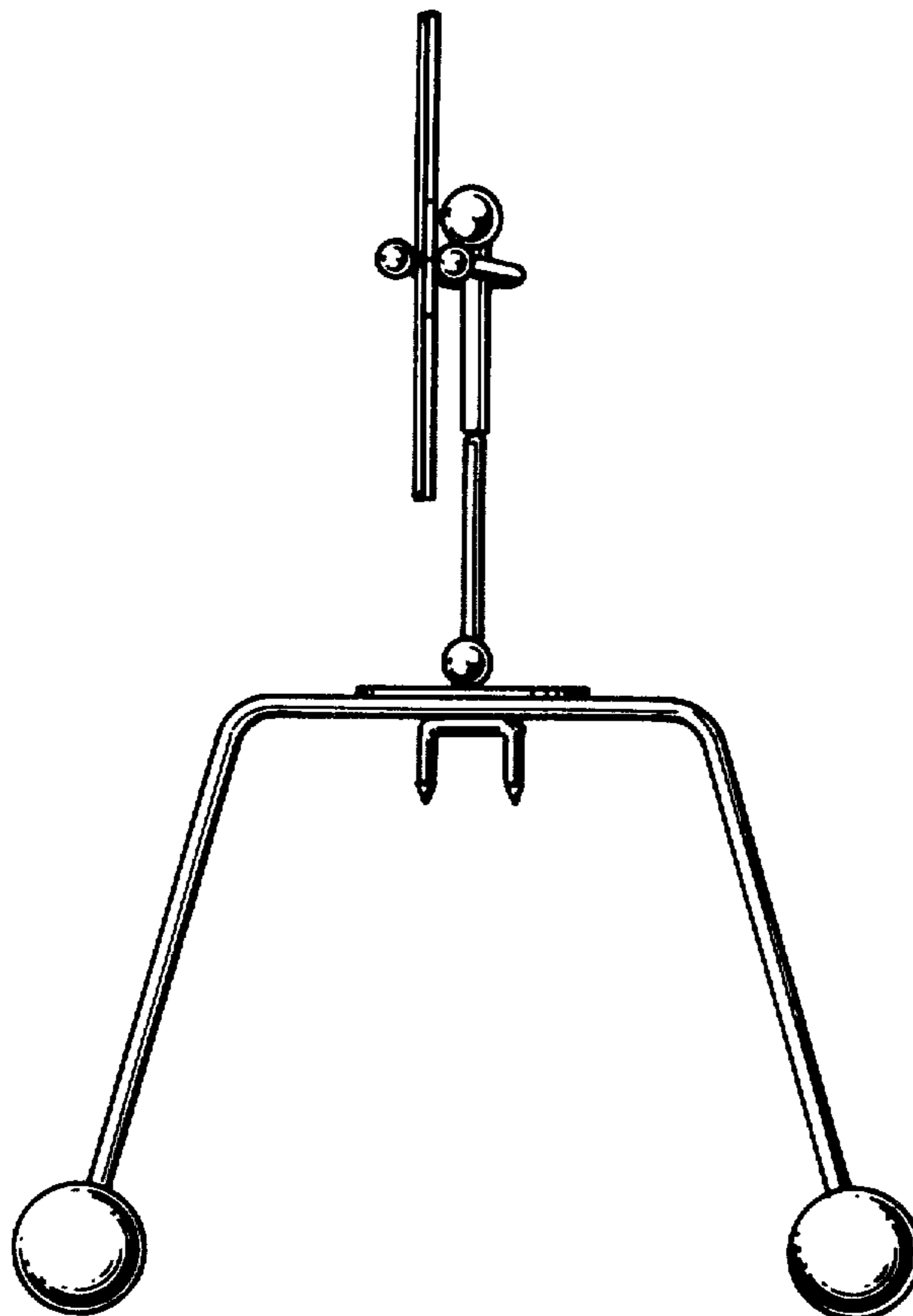


FIG.1

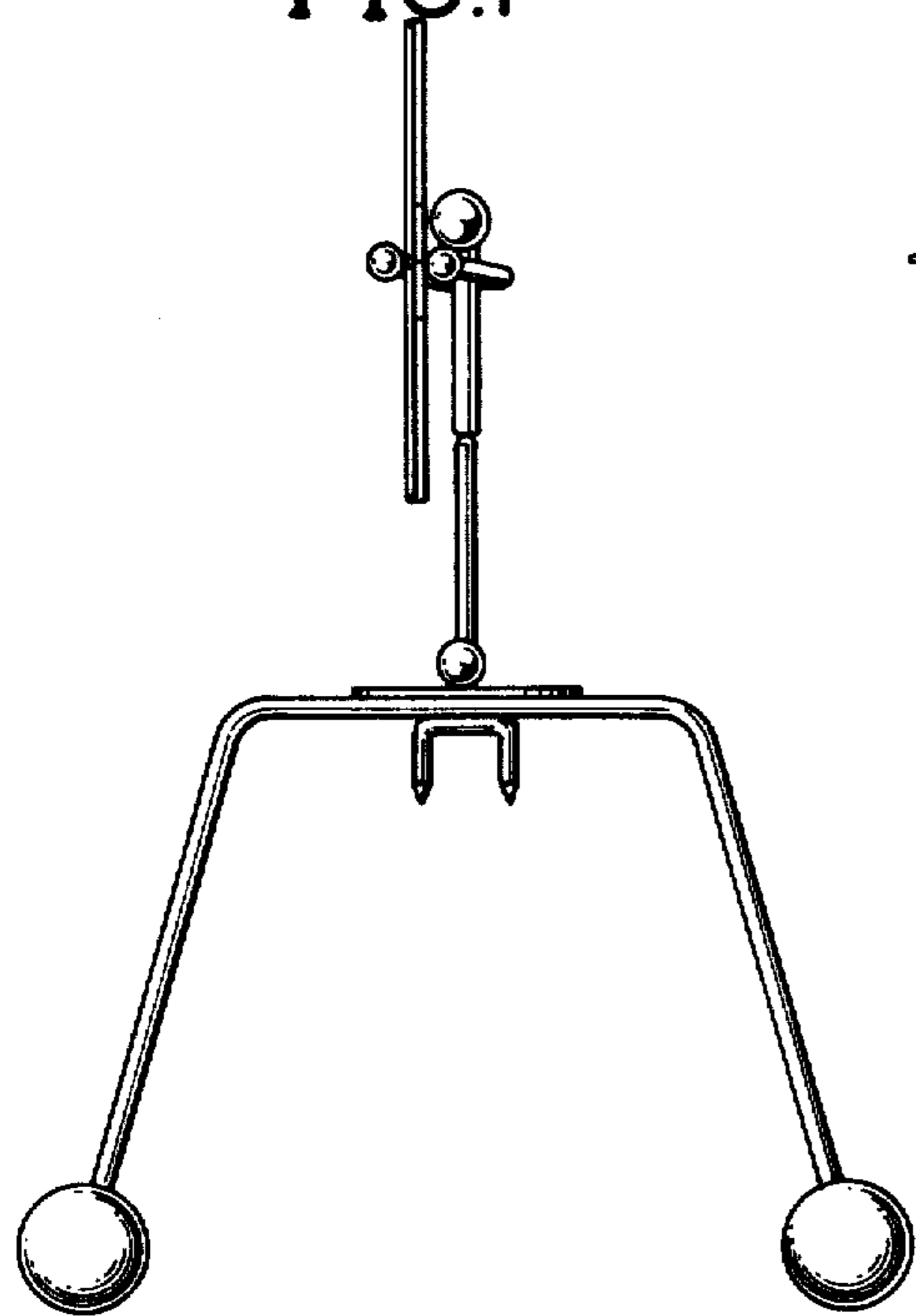


FIG.2

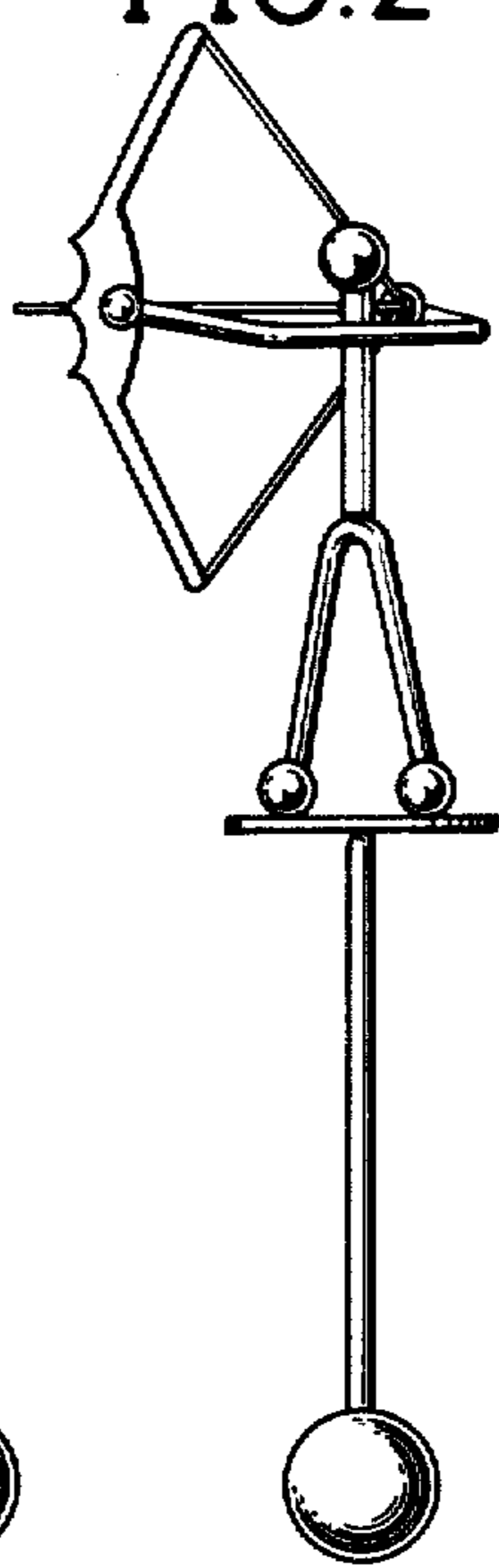


FIG.3

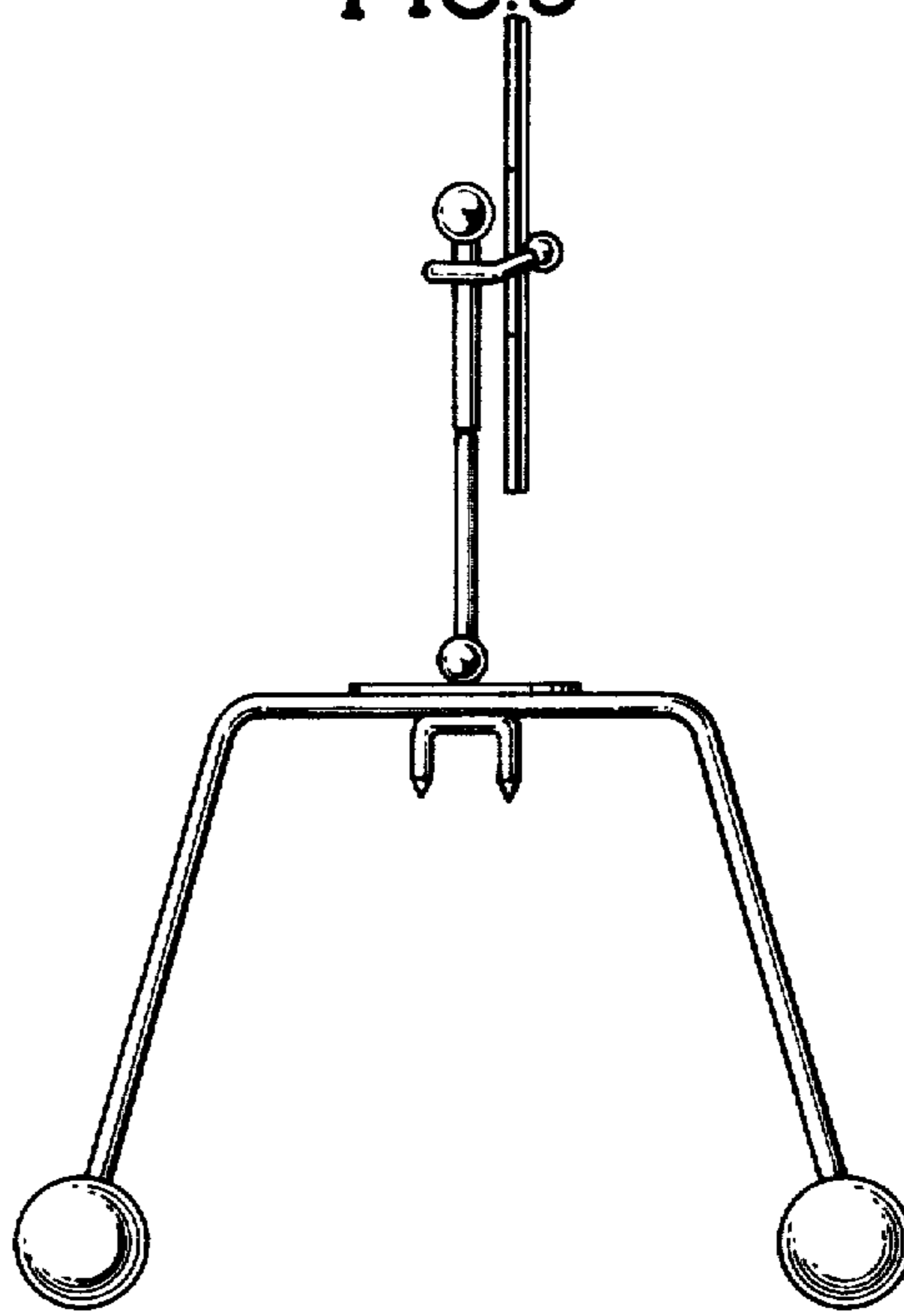


FIG.4

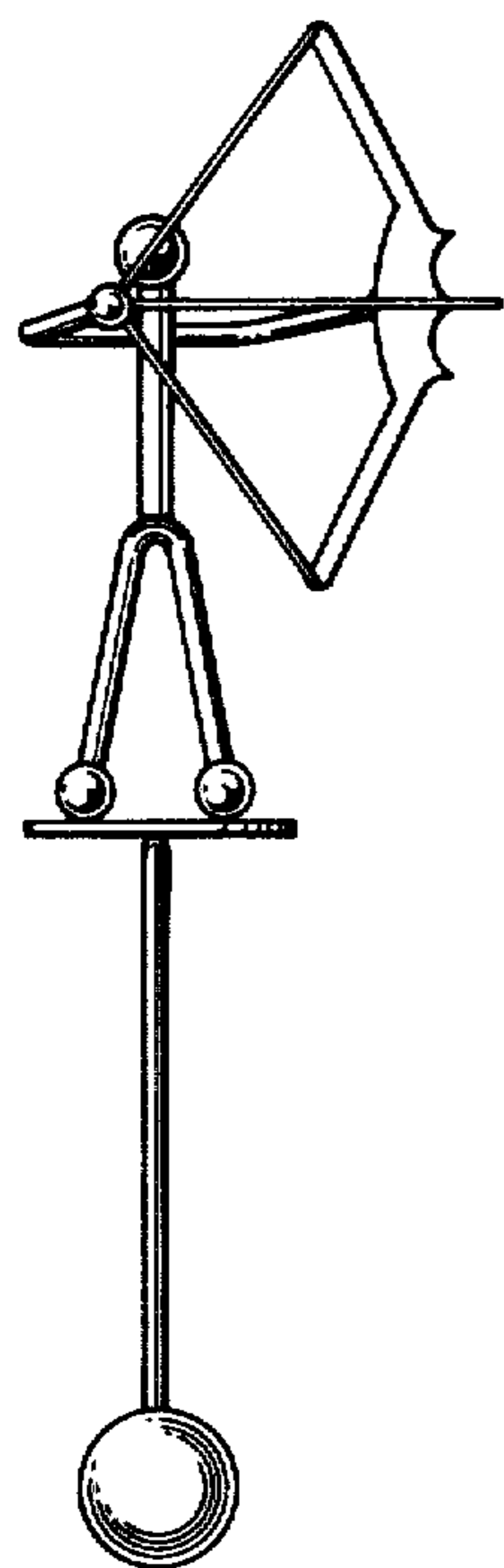


FIG.5

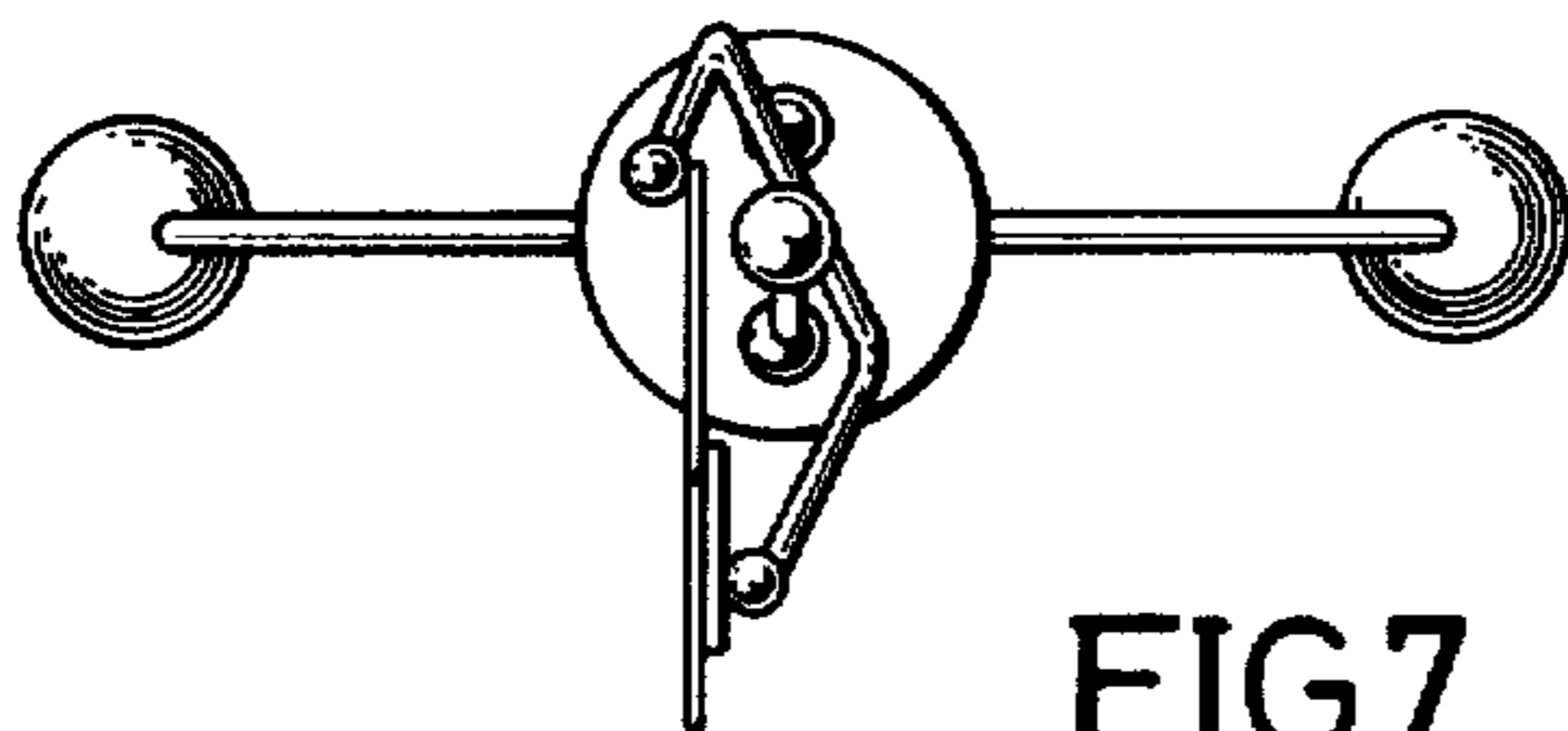


FIG.6

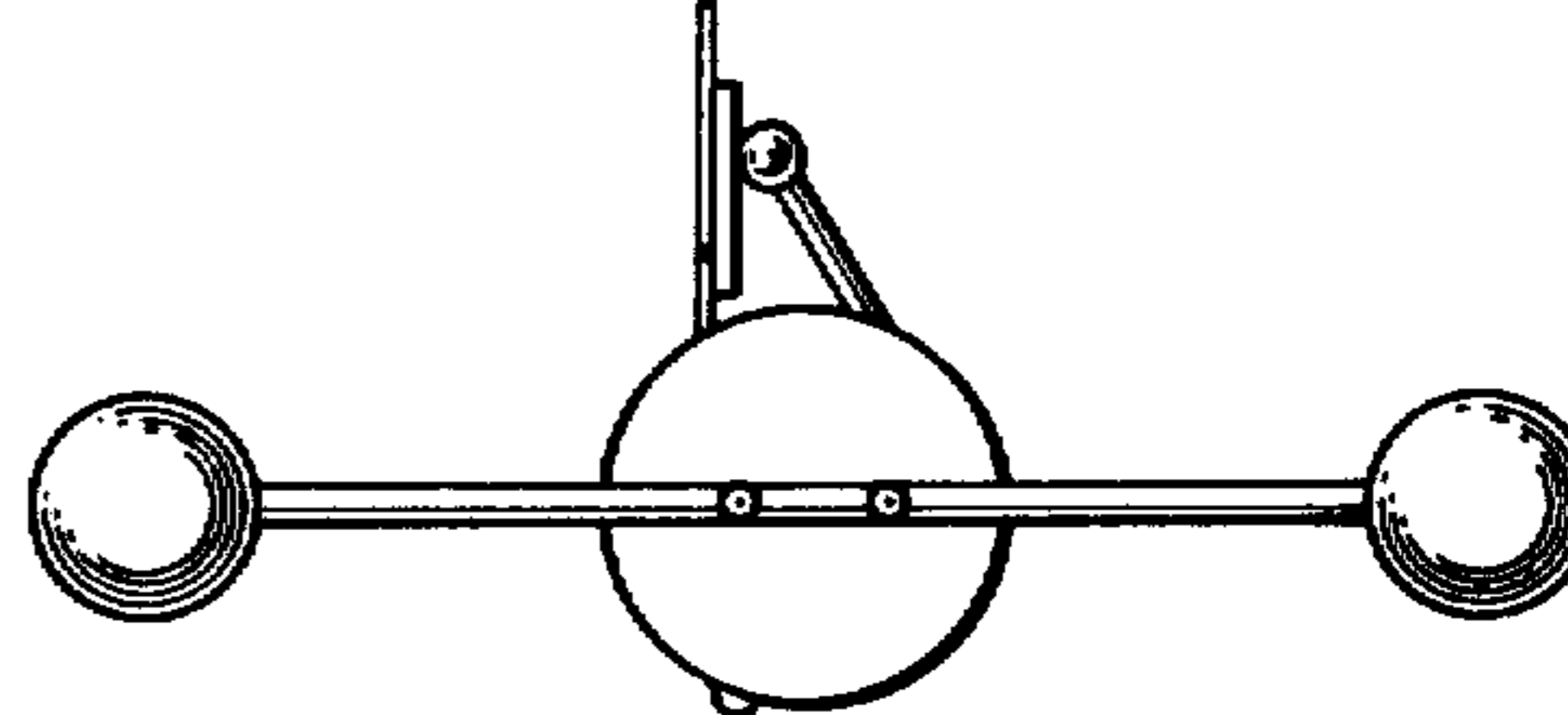


FIG.7

