

[54] **TOY HELICOPTER**

[75] **Inventor:** Karl D. Lerch, East Aurora, N.Y.

[73] **Assignee:** The Quaker Oats Company, Chicago, Ill.

[\*\*] **Term:** 14 Years

[21] **Appl. No.:** 97,725

[22] **Filed:** Nov. 26, 1979

[51] **Int. Cl.** ..... D21-01

[52] **U.S. Cl.** ..... D21/85

[58] **Field of Search** ..... D21/85; 46/75, 76

[56]

**References Cited**

**U.S. PATENT DOCUMENTS**

D. 201,934 8/1965 Graham ..... D21/85  
D. 247,985 5/1978 Breneman ..... D21/85  
3,864,873 2/1975 Watkins ..... 46/75

*Primary Examiner*—Charles A. Rademaker  
*Attorney, Agent, or Firm*—Cumpston & Shaw

[57]

**CLAIM**

The ornamental design for a toy helicopter, substantially as shown.

**DESCRIPTION**

FIG. 1 is a left-side elevational view of a toy helicopter showing my new design;

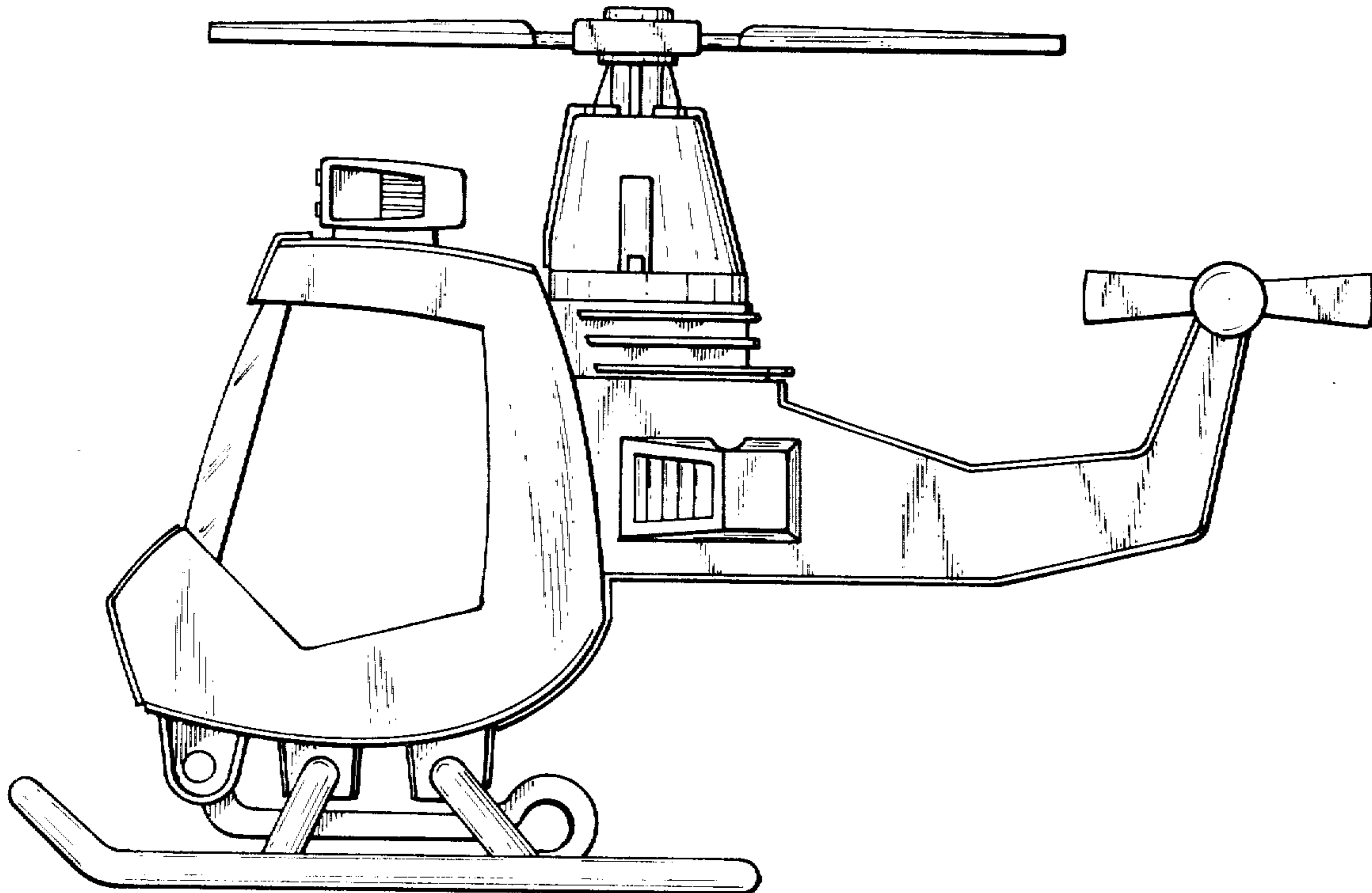
FIG. 2 is a top plan view thereof;

FIG. 3 is a front elevational view thereof;

FIG. 4 is a bottom plan view thereof;

FIG. 5 is a right-side elevational view thereof; and

FIG. 6 is a rear elevational view thereof.



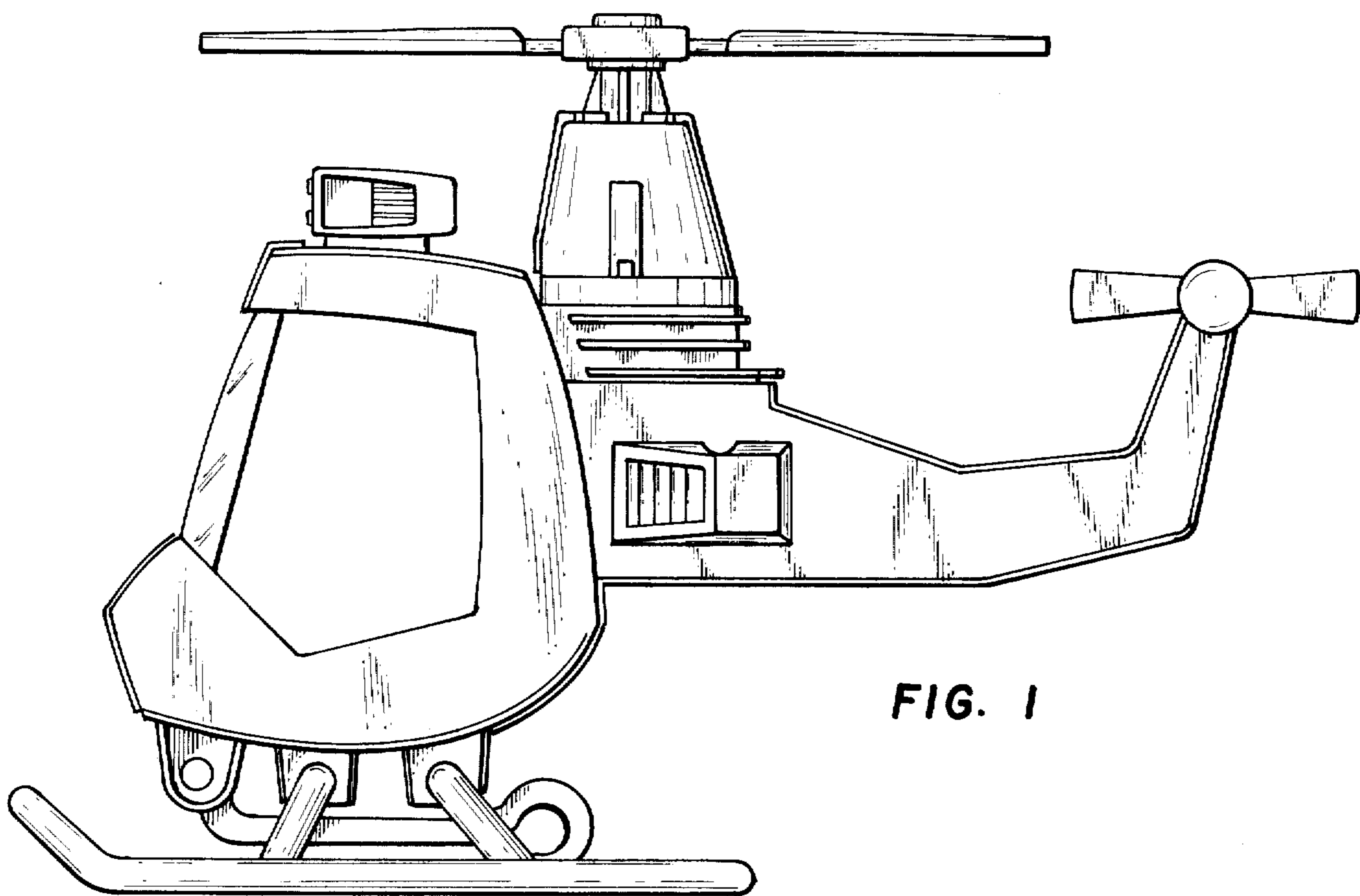


FIG. 1

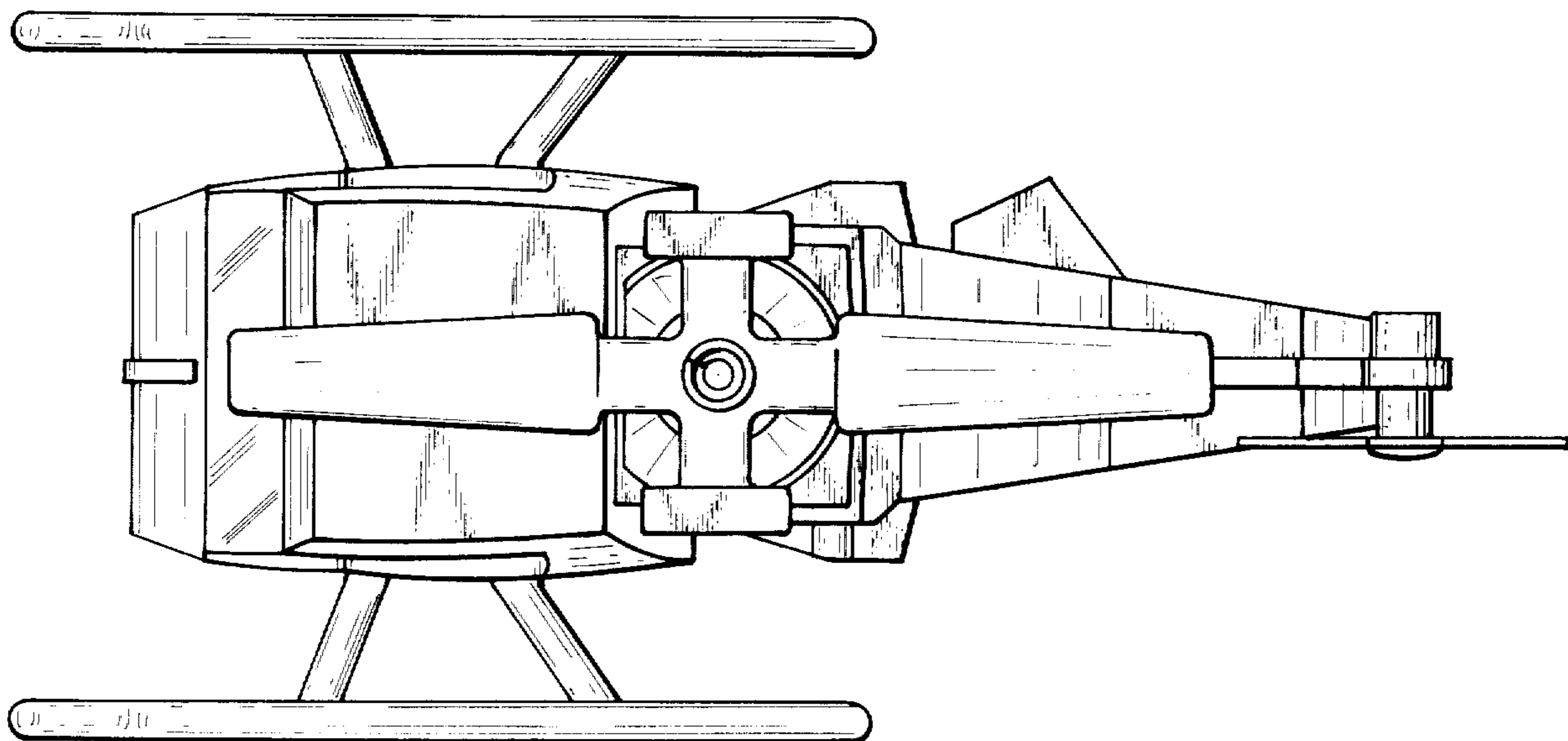
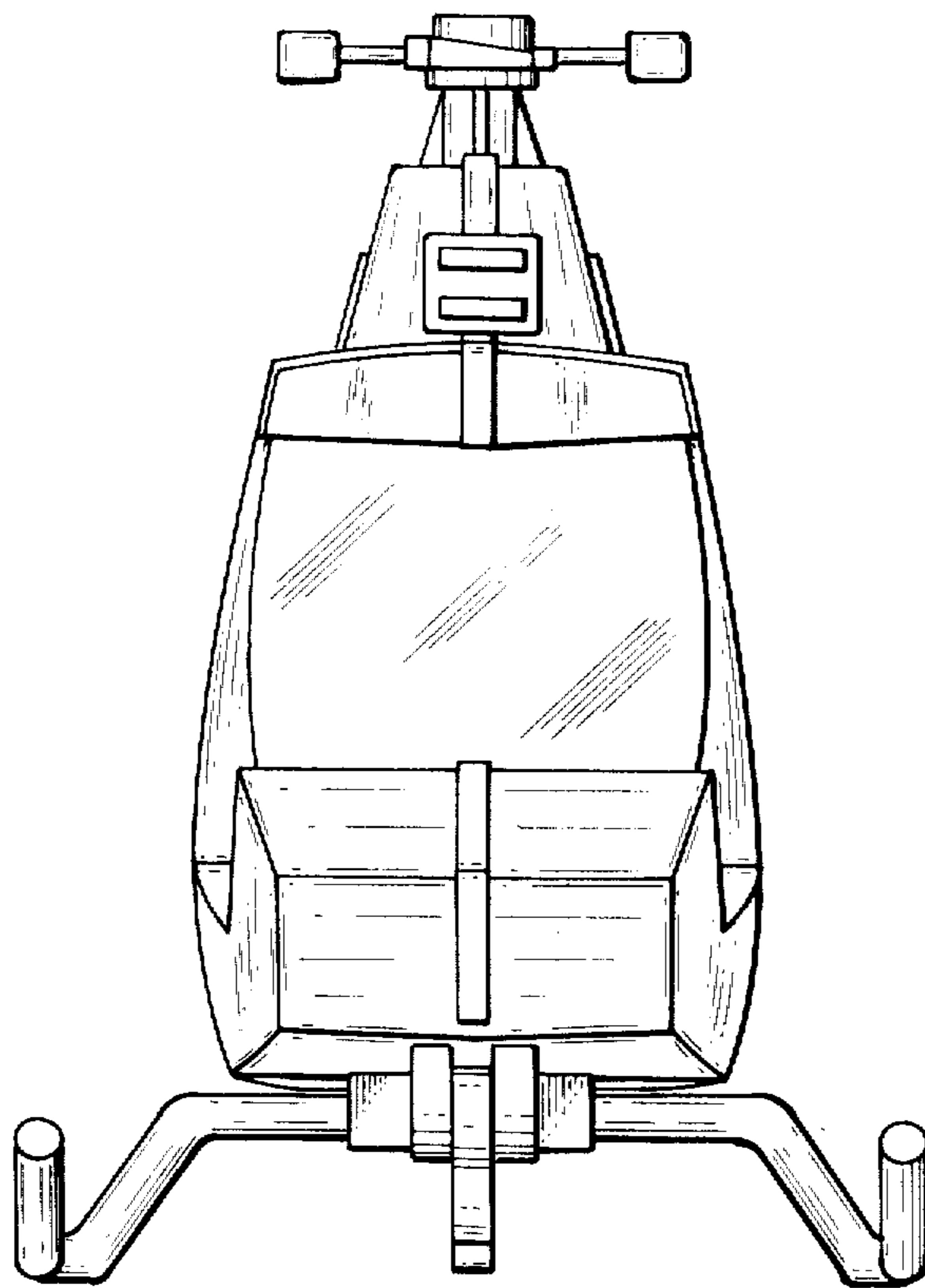
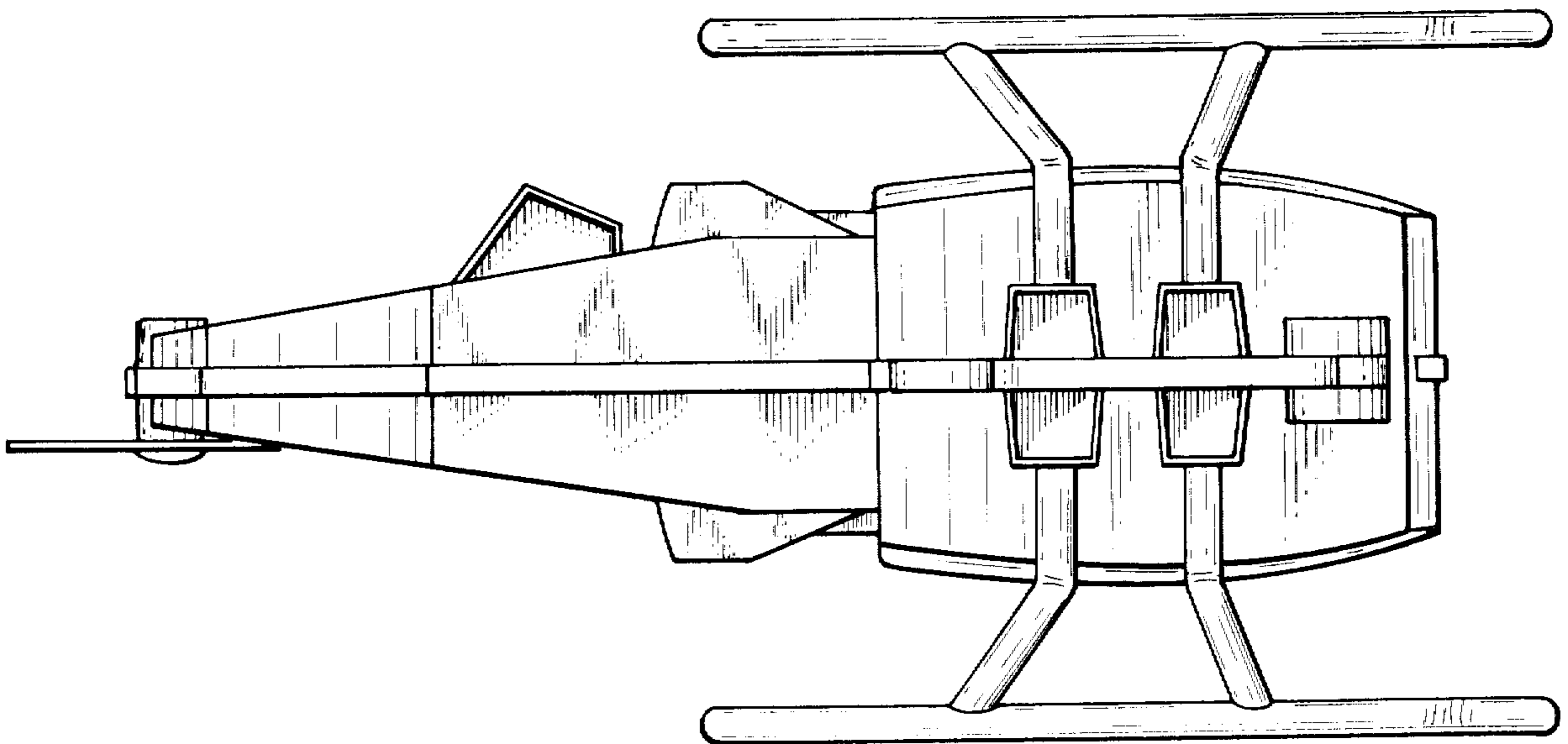


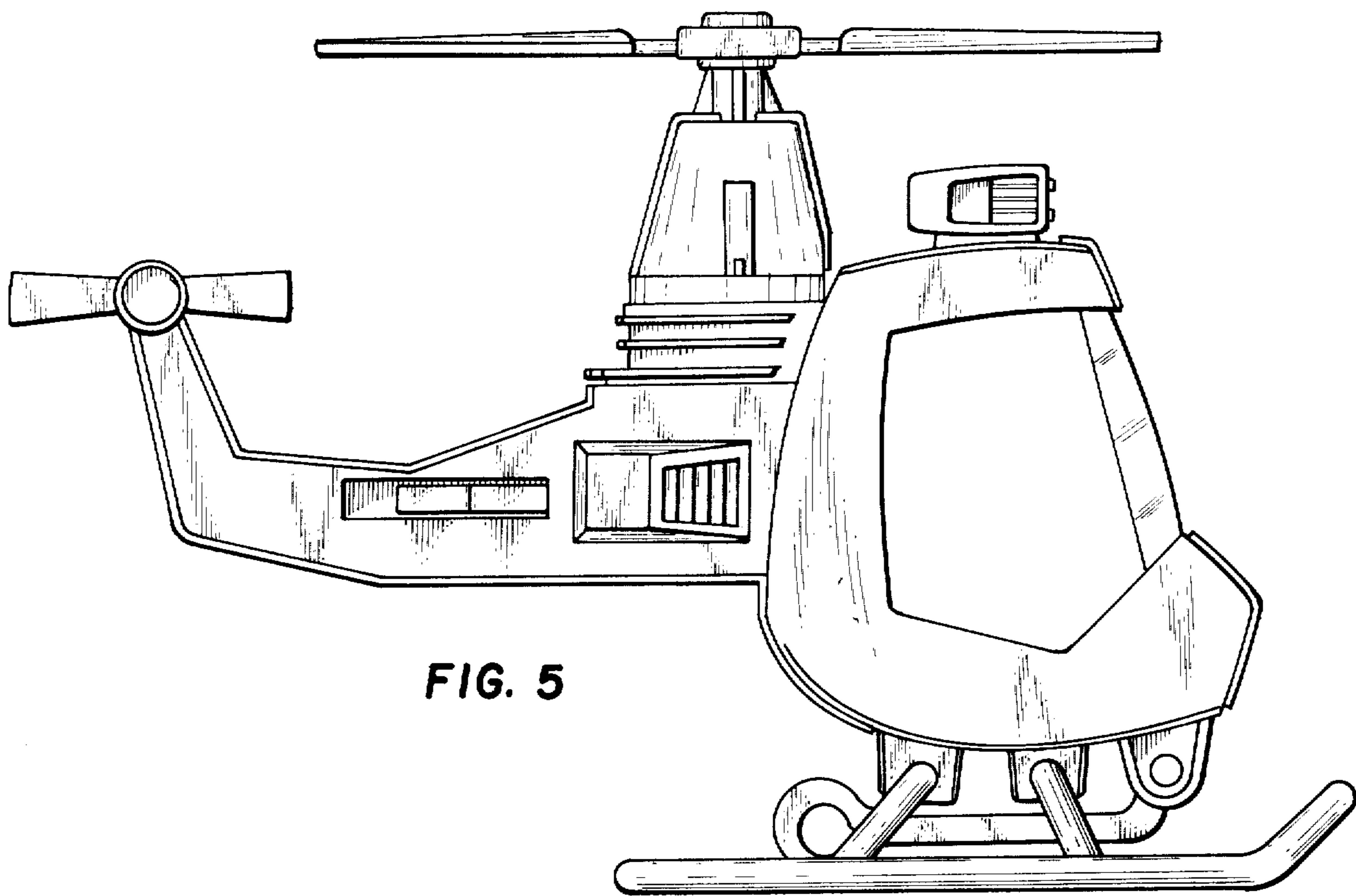
FIG. 2



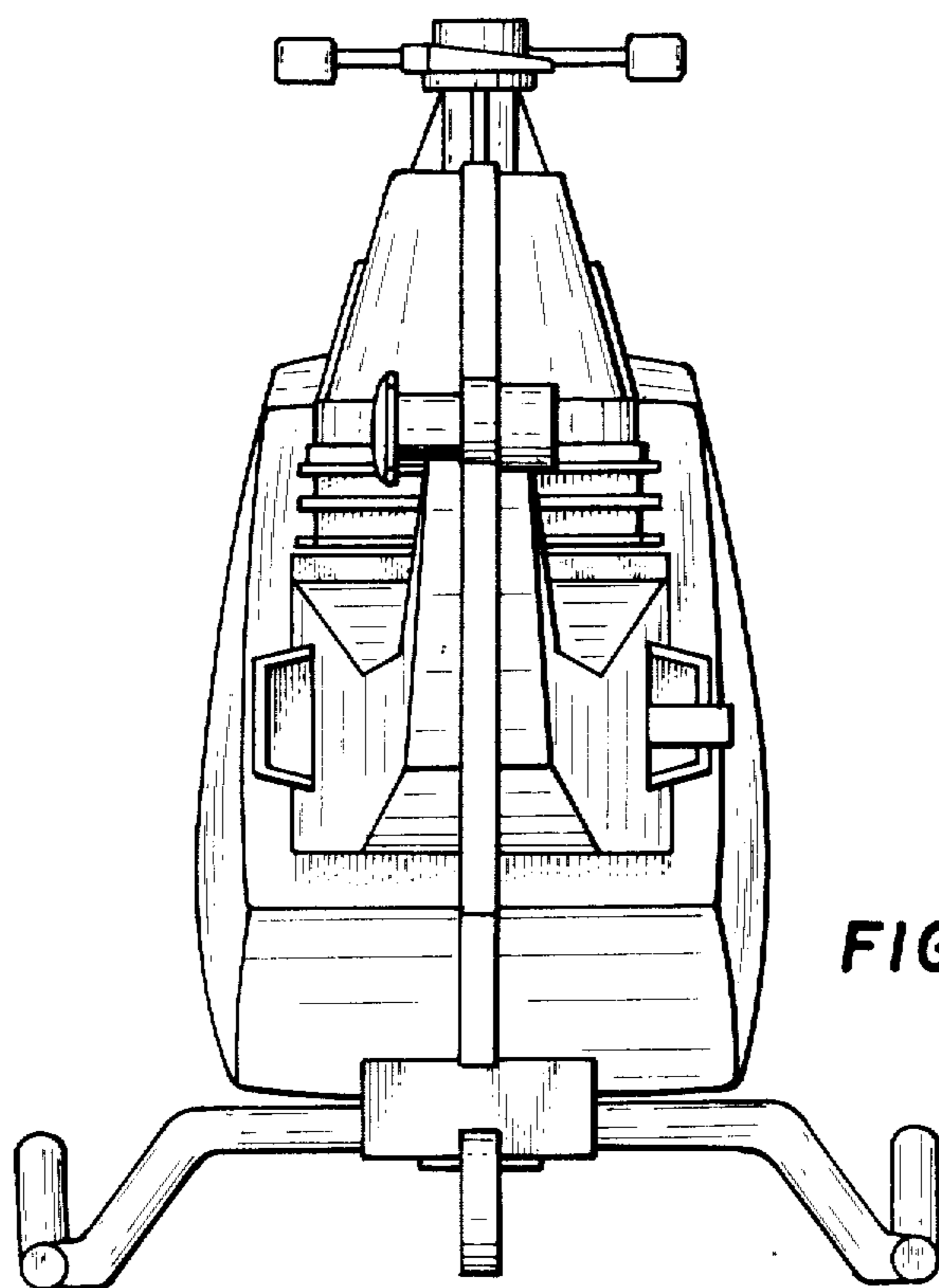
**FIG. 3**



**FIG. 4**



**FIG. 5**



**FIG. 6**