

[54] **DART RACK**

[76] **Inventor:** Ellsworth S. Henderson, 9532 Lamar St., Spring Valley, Calif. 92077

[**] **Term:** 14 Years

[21] **Appl. No.:** 89,932

[22] **Filed:** Oct. 31, 1979

[51] **Int. Cl.** D21-01

[52] **U.S. Cl.** D21/49

[58] **Field of Search** D21/49, 223; D19/85; D6/114, 125; 273/416; 206/315 R, 579; D9/418, 337, 304; D8/71; 211/60 R, 60 T

[56]

References Cited

U.S. PATENT DOCUMENTS

D. 242,545 11/1976 Perfect D6/125
1,649,245 11/1927 McGraw 206/315 R
3,960,271 6/1976 Nelson 206/315 R

Primary Examiner—Melvin B. Feifer
Attorney, Agent, or Firm—Knox & Knox

[57]

CLAIM

The ornamental design for a dart rack, as shown.

DESCRIPTION

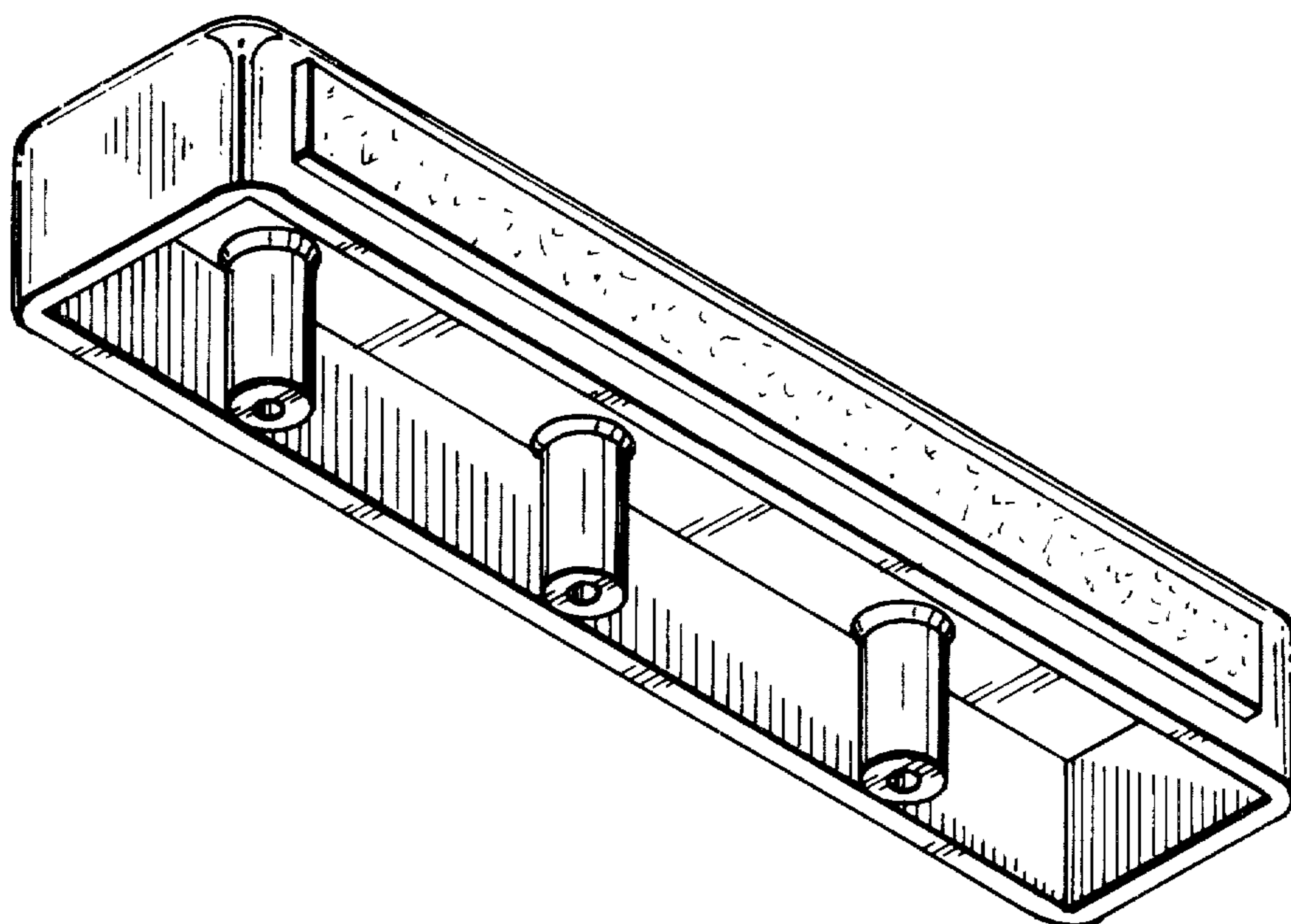
FIG. 1 is a bottom perspective view of a dart rack, showing my new design.

FIG. 2 is a top perspective view thereof.

FIG. 3 is a front elevational view thereof.

FIG. 4 is an elevational view taken from the right end of FIG. 3.

FIG. 5 is a bottom plan view thereof.



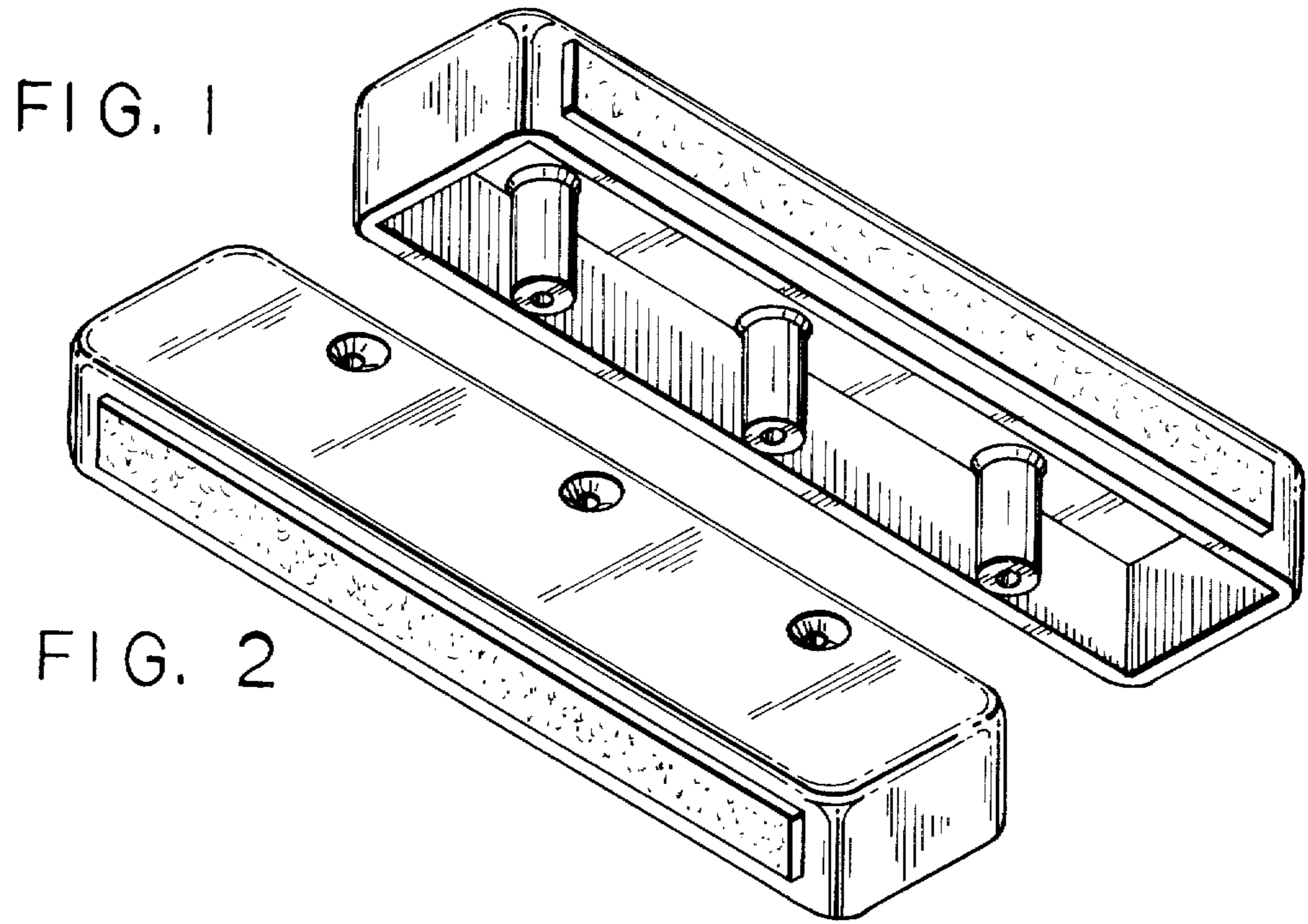


FIG. 3

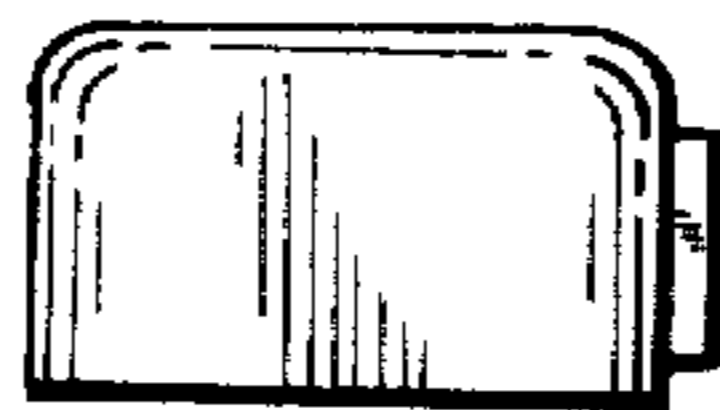
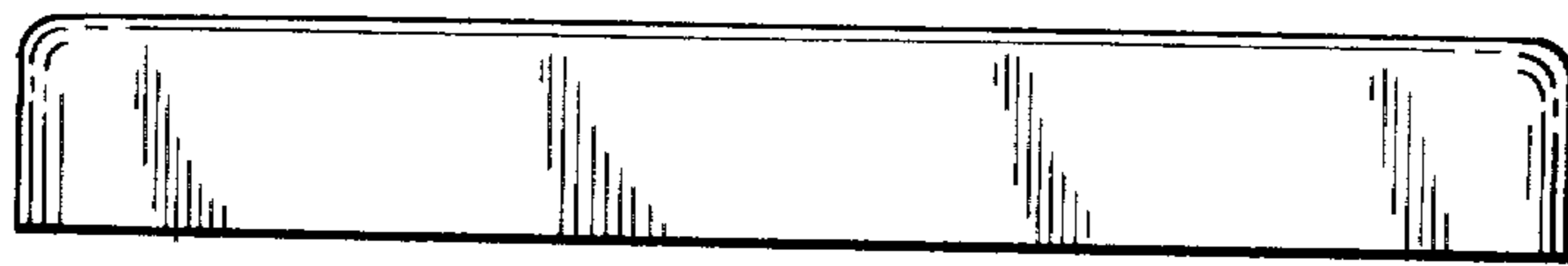


FIG. 4

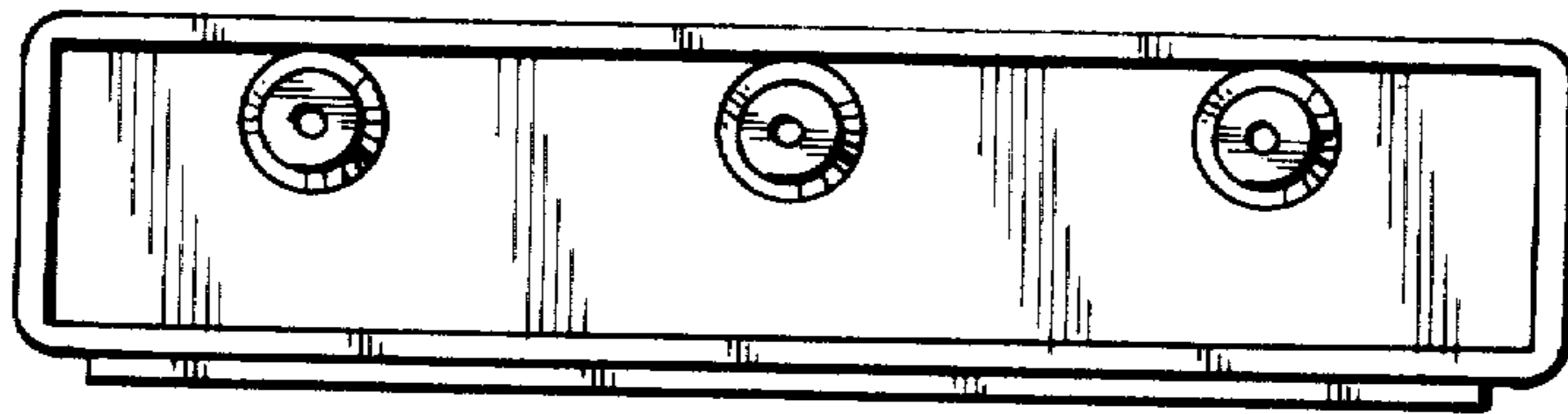


FIG. 5