

[54] CONTROLLED LETTERING SCRIBER

[56] References Cited

[75] Inventor: Allister L. Baker, Denville, N.J.

U.S. PATENT DOCUMENTS

[73] Assignee: Keuffel & Esser Company, Morristown, N.J.

3,218,717	11/1965	Hansen	33/23 D
3,276,126	10/1966	Sellen et al.	33/23 D
3,440,727	4/1969	Danjczek	33/23 D

[**] Term: 14 Years

Primary Examiner—George P. Word
Attorney, Agent, or Firm—Lionel N. White

[21] Appl. No.: 152,929

[57] CLAIM

[22] Filed: May 23, 1980

The ornamental design for a controlled lettering scriber, as shown.

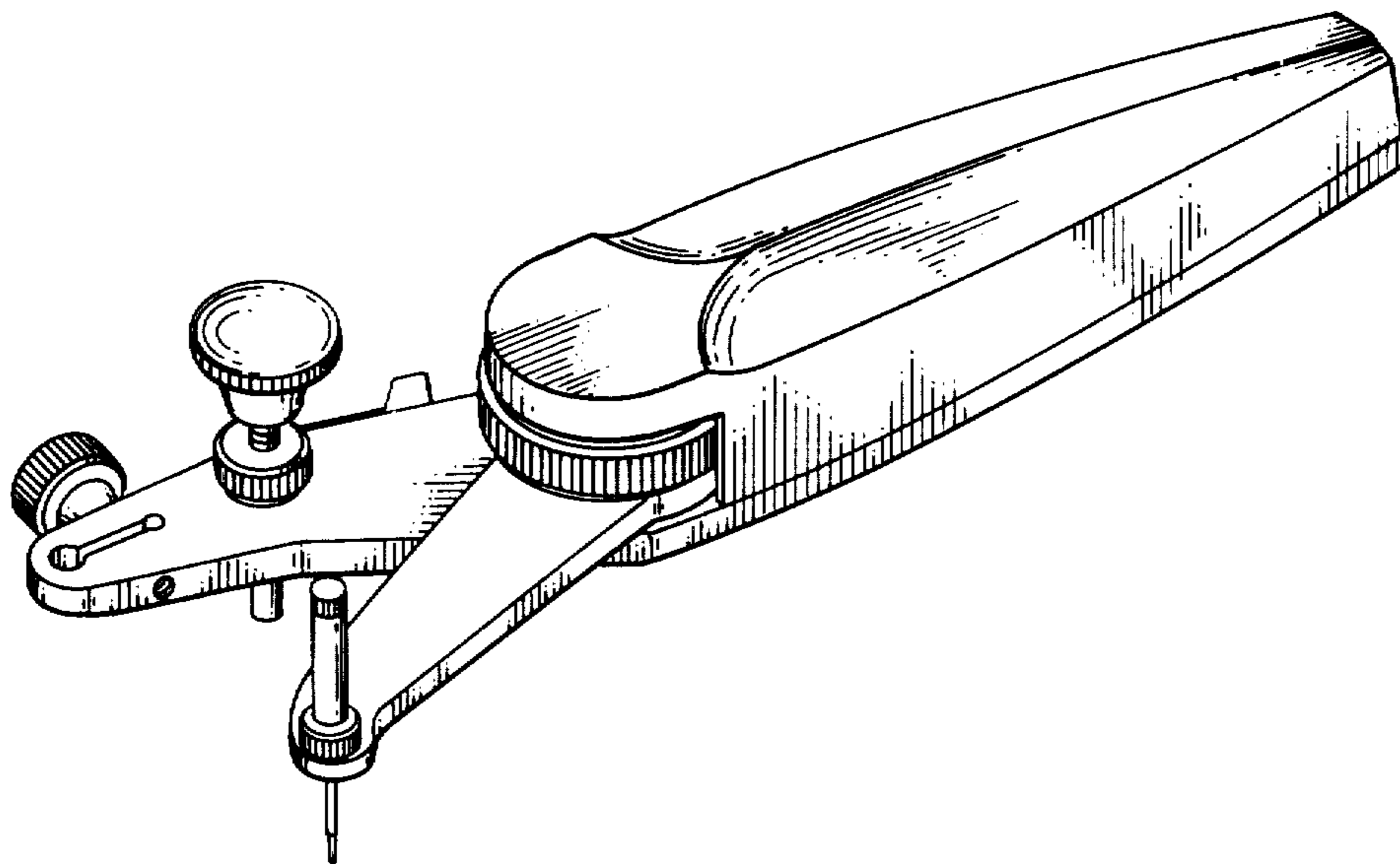
[51] Int. Cl. D19—06

[52] U.S. Cl. D19/41; D19/35

[58] Field of Search D19/41, 35; D10/61; 401/48; 33/23 D

DESCRIPTION

FIG. 1 is a right front perspective view of a controlled lettering scriber embodying my new design; FIG. 2 is a left rear perspective view thereof; FIG. 3 is the bottom plan view thereof.



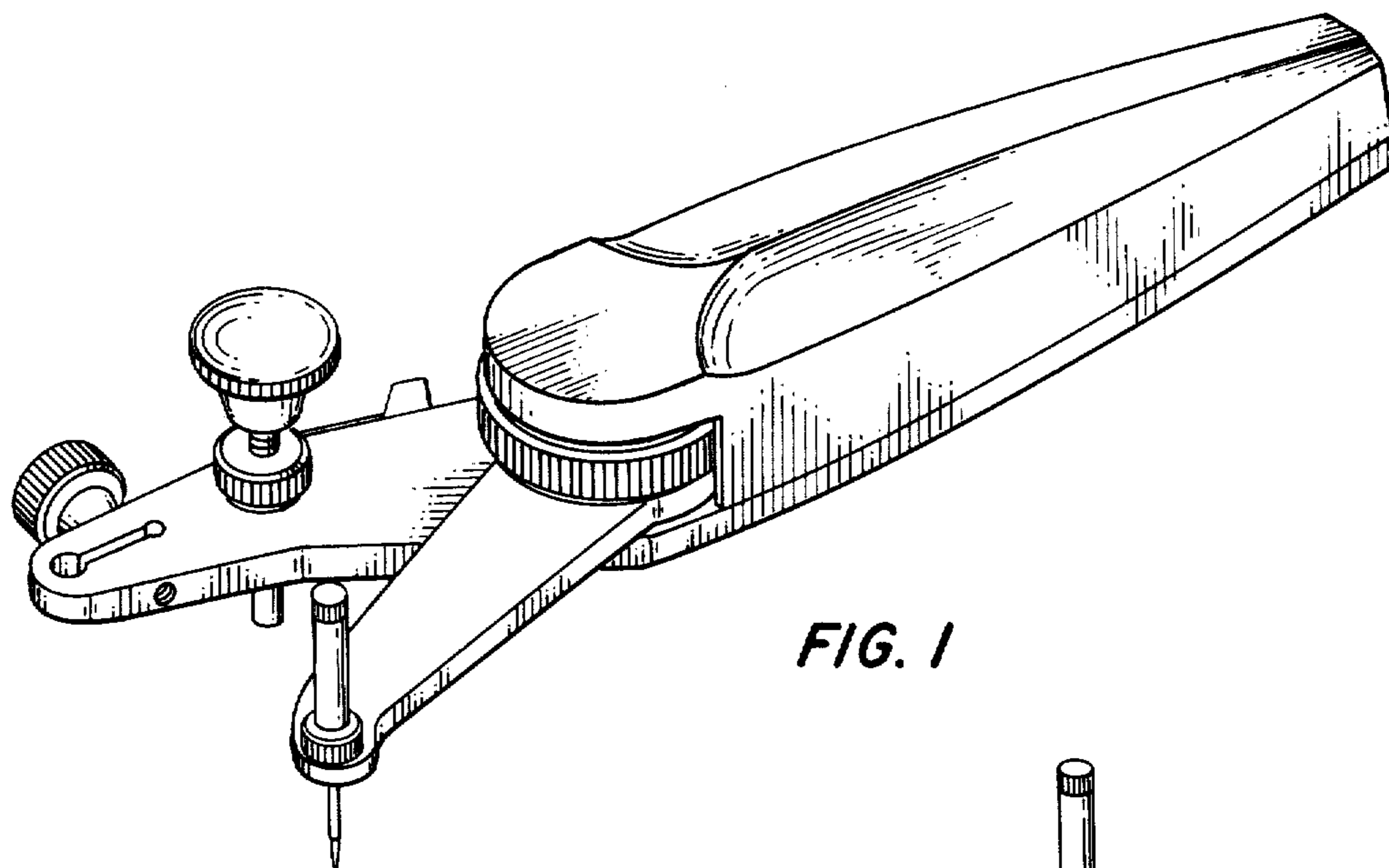


FIG. 1

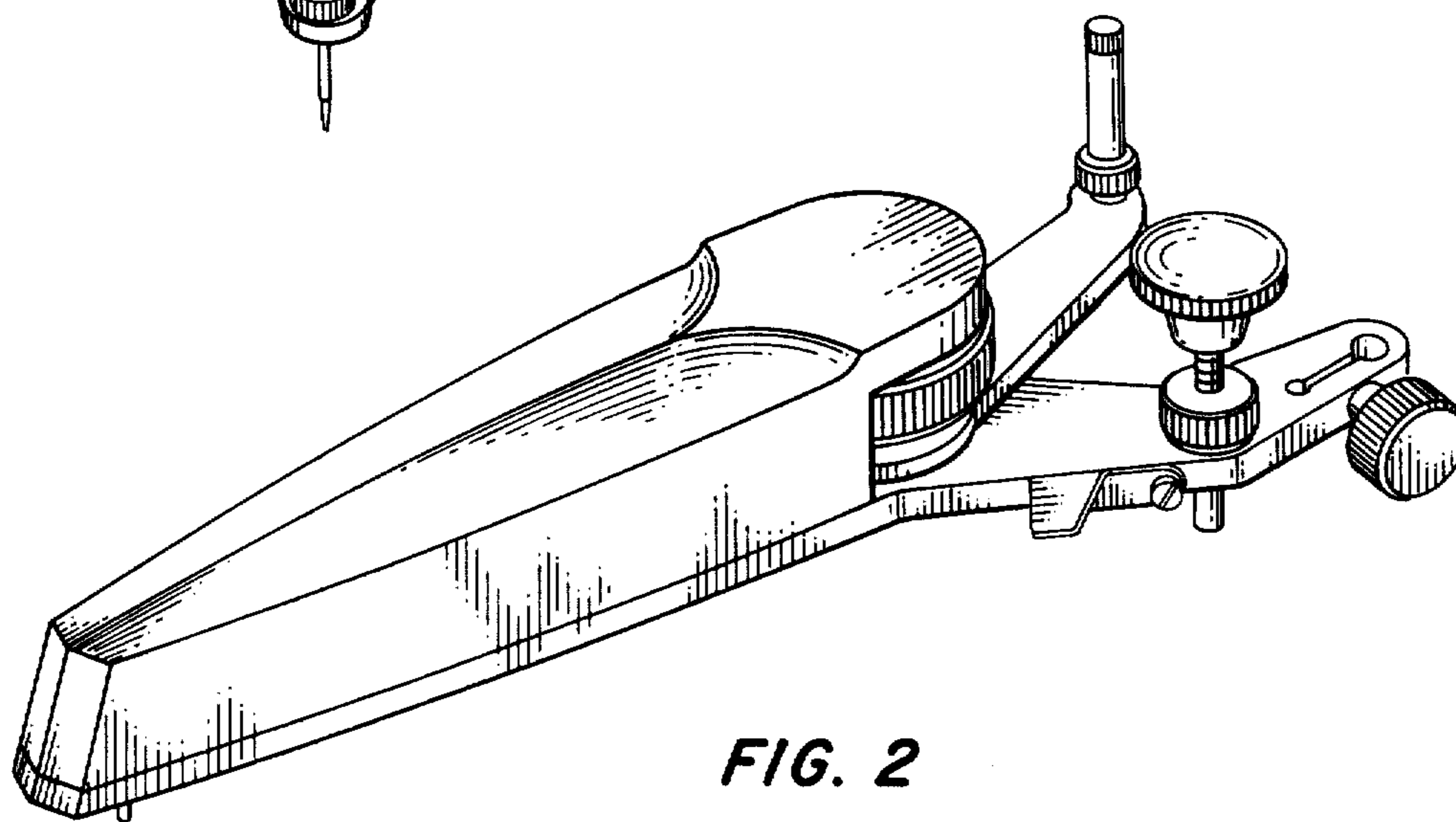


FIG. 2

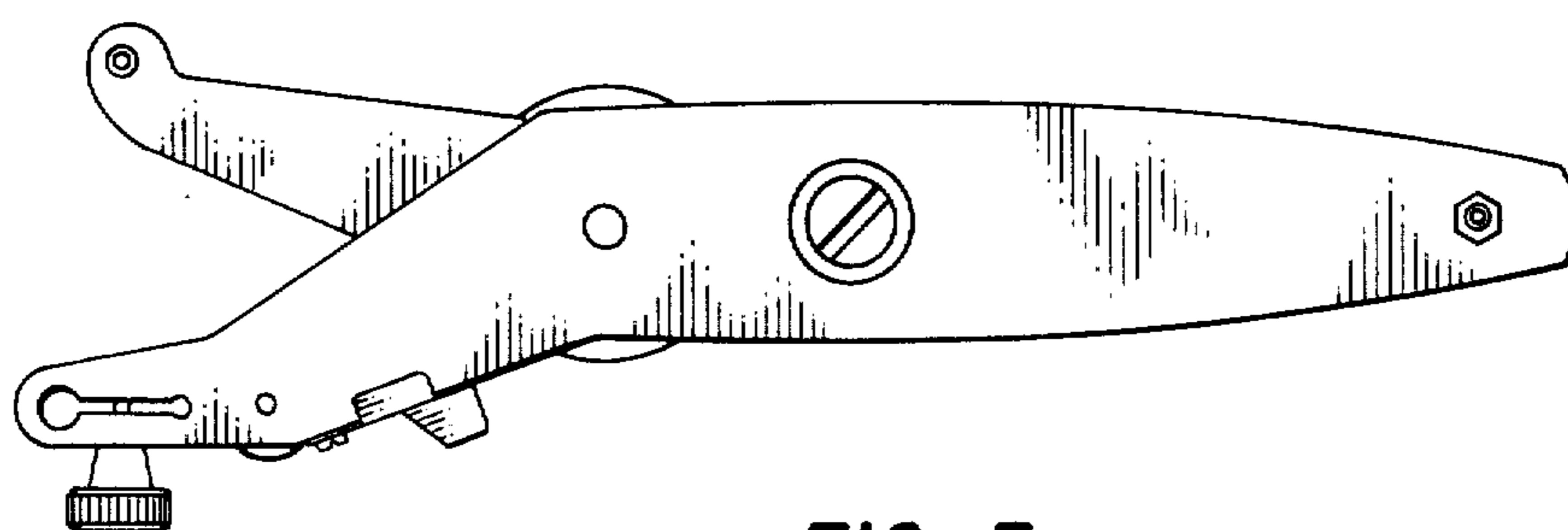


FIG. 3