

[54] WRIST TRANSMITTER

[76] Inventor: **Staveley G. A. Swales**, Clifton Garage, Morpeth, Northumberland, England

[**] Term: **14 Years**

[21] Appl. No.: **64,456**

[22] Filed: **Aug. 6, 1979**

[30] Foreign Application Priority Data

Mar. 19, 1979 [GB] United Kingdom 989097

[51] Int. Cl. **D14-03**

[52] U.S. Cl. **D14/95**

[58] Field of Search D14/68, 70, 95; D10/30, D10/31, 38, 39; 343/718, 702; 455/100, 89, 90, 128

[56] References Cited

U.S. PATENT DOCUMENTS

D. 210,462 3/1968 Roberts D14/95
3,478,344 11/1969 Schwitzgebel et al. 455/89

Primary Examiner—Peter M. Caun
Attorney, Agent, or Firm—Blum, Kaplan, Friedman, Silberman & Beran

[57] CLAIM

The ornamental design for a wrist transmitter, as shown.

DESCRIPTION

FIG. 1 is a front plan view of a wrist transmitter embodying my novel design;
FIG. 2 is a bottom plan view of the novel design depicted in FIG. 1;
FIG. 3 is a left side elevational view of the wrist transmitter depicted in FIG. 1;
FIG. 4 is a right side elevational view of the wrist transmitter depicted in FIG. 1;
FIG. 5 is a front elevational view of the wrist transmitter depicted in FIG. 1;
FIG. 6 is a rear elevational view of the wrist transmitter depicted in FIG. 1;
FIG. 7 is a top plan view of the wrist transmitter depicted in FIG. 1 with the aerial extended;
FIG. 8 is a top plan view of a further embodiment of a wrist transmitter embodying my novel design;
FIG. 9 is a bottom plan view of the wrist transmitter depicted in FIG. 8;
FIG. 10 is a left side elevational view of the wrist transmitter depicted in FIG. 1;
FIG. 11 is a right side elevational view of the wrist transmitter depicted in FIG. 8;
FIG. 12 is a front elevational view of the wrist transmitter depicted in FIG. 8;
FIG. 13 is a rear elevational view of the wrist transmitter depicted in FIG. 8; and
FIG. 14 is a front plan view of the wrist transmitter depicted in FIG. 1 with the aerial extended.

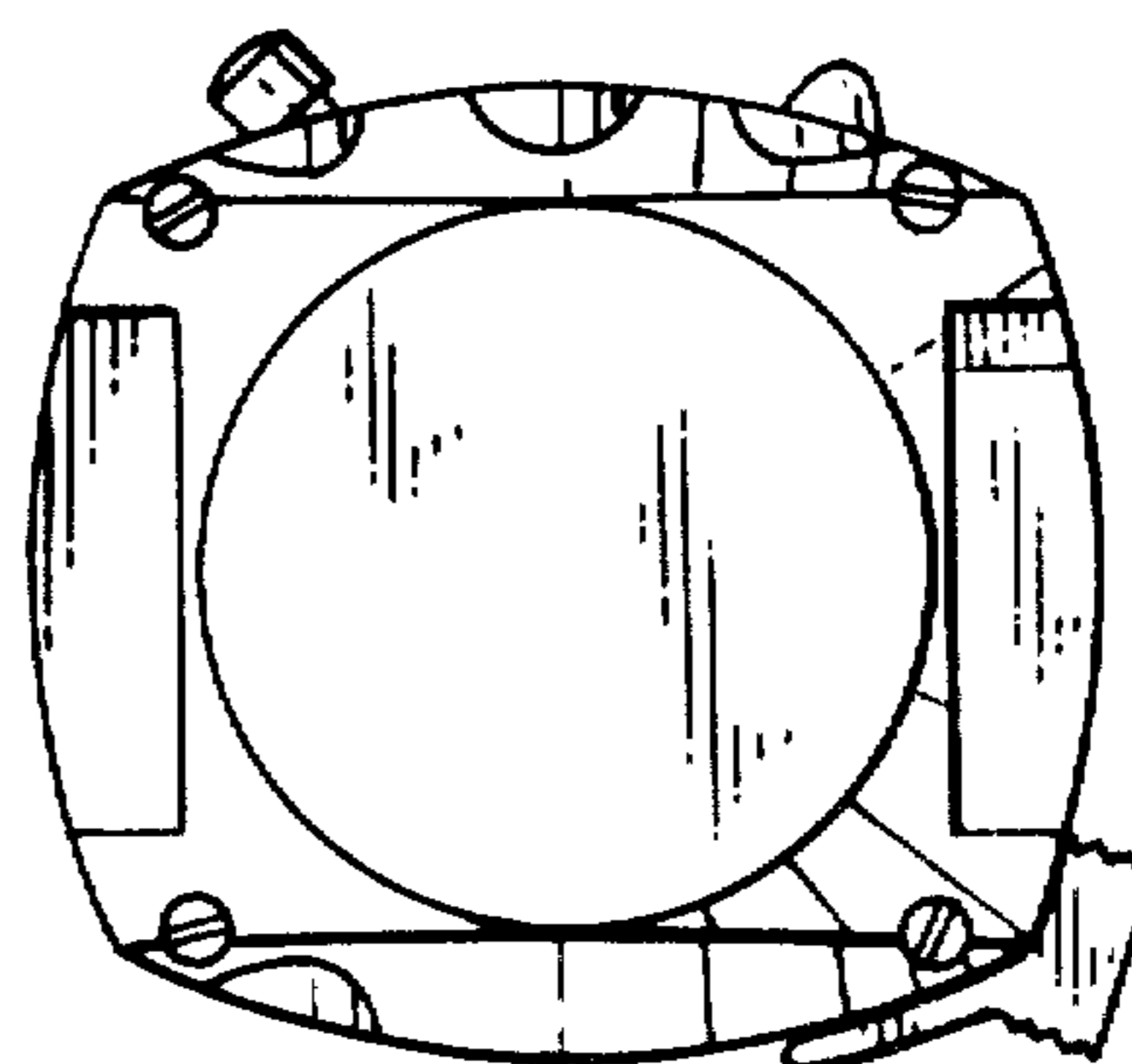
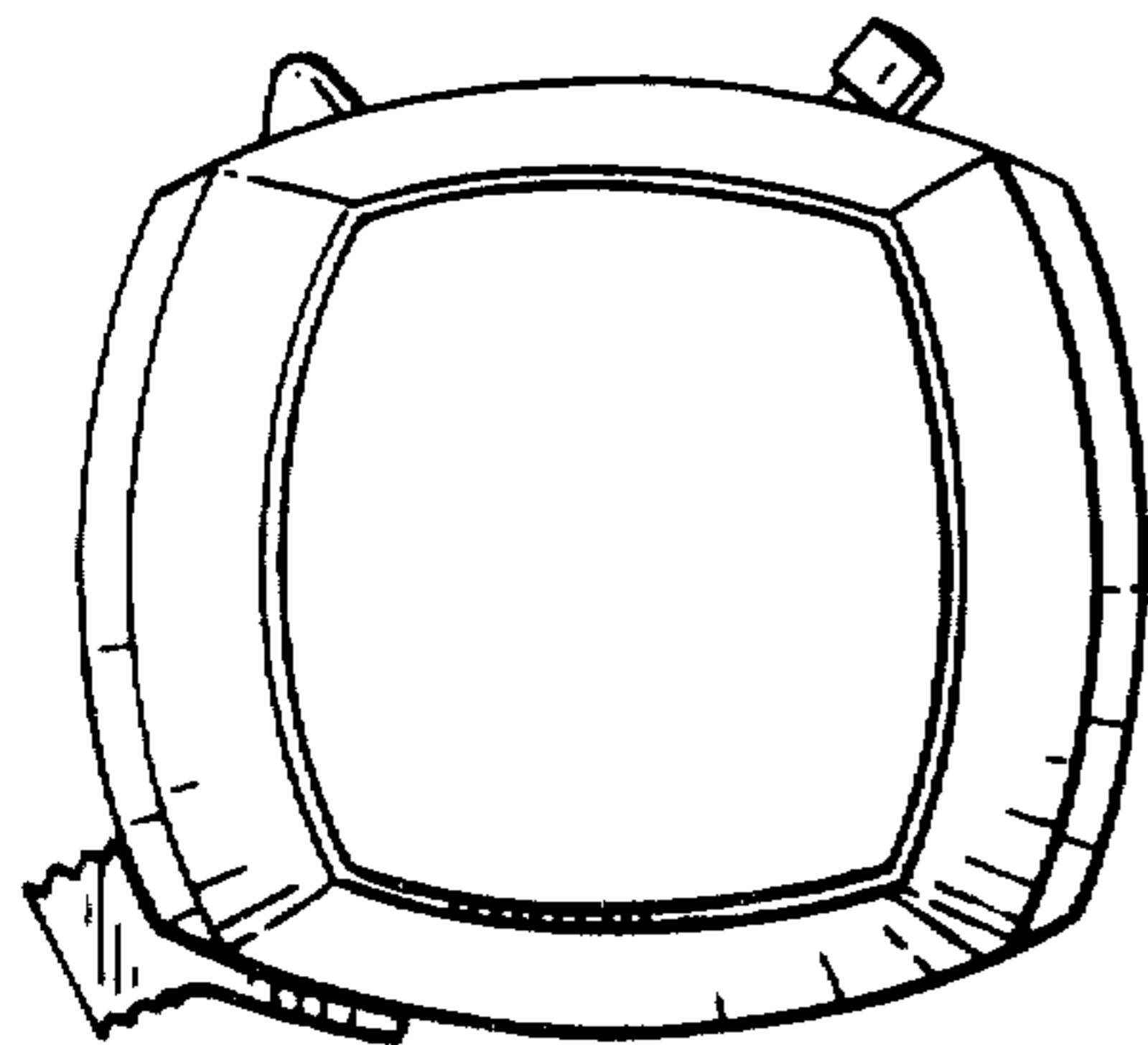


FIG. 1.

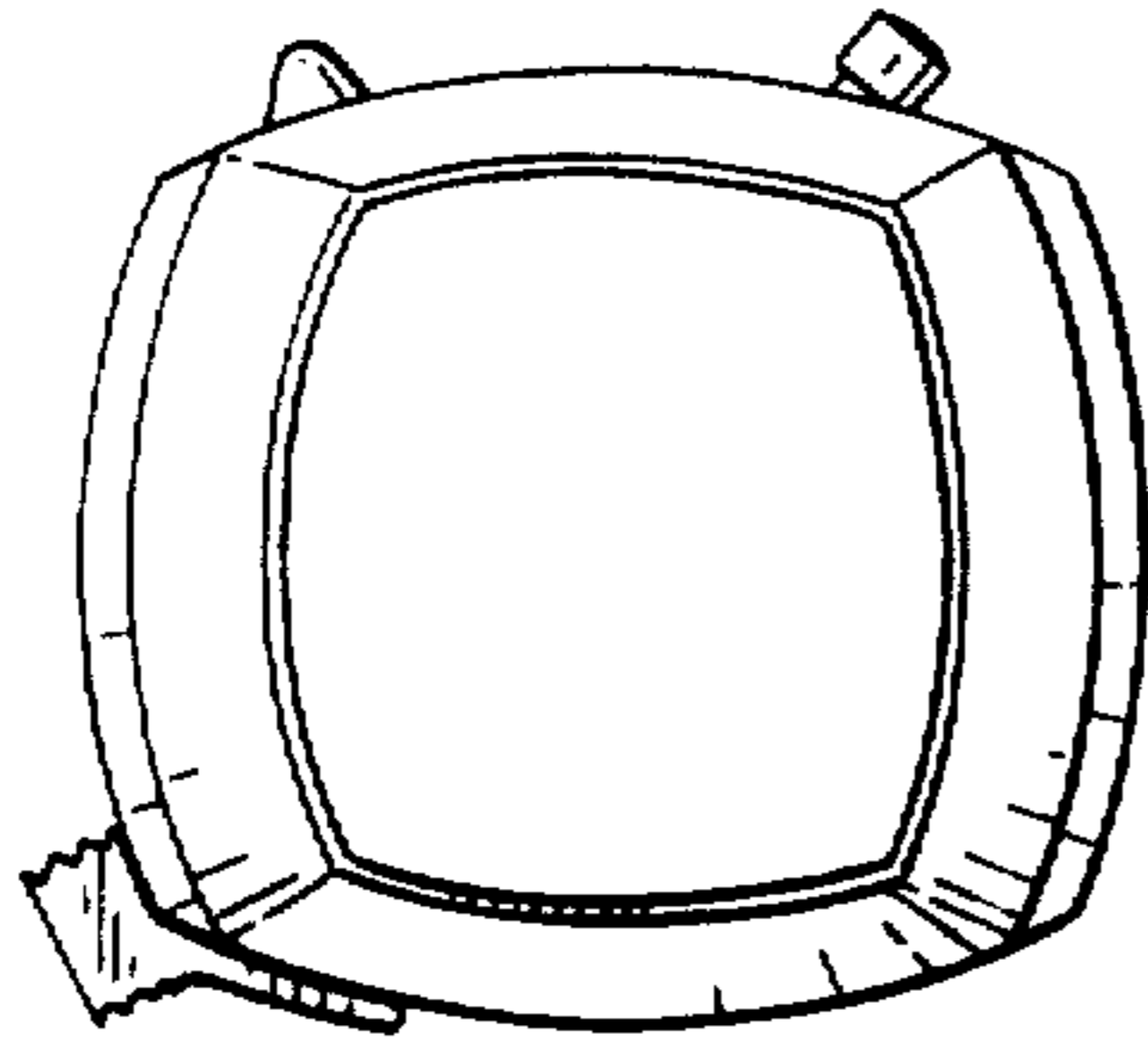


FIG. 2.

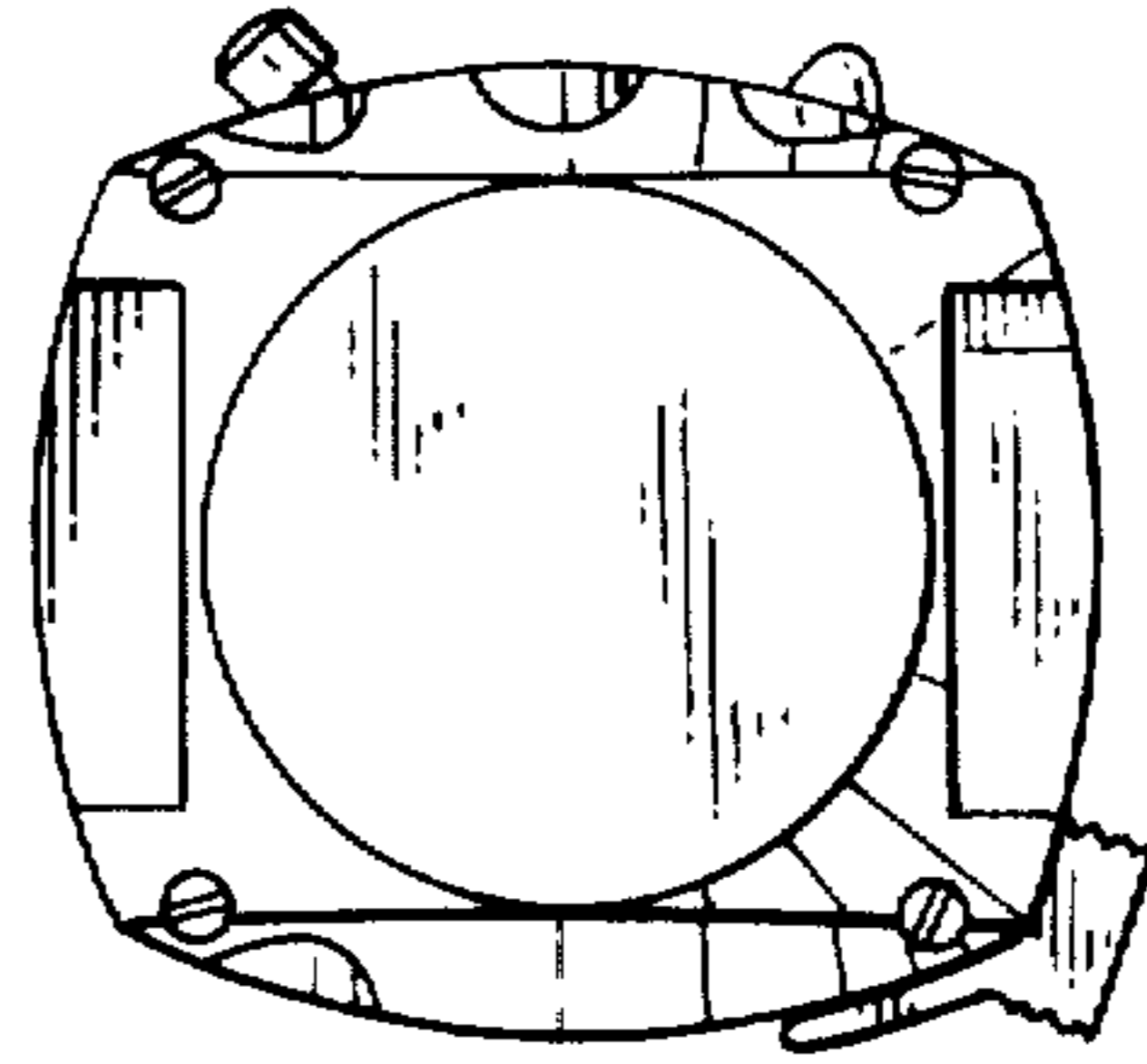


FIG. 3.

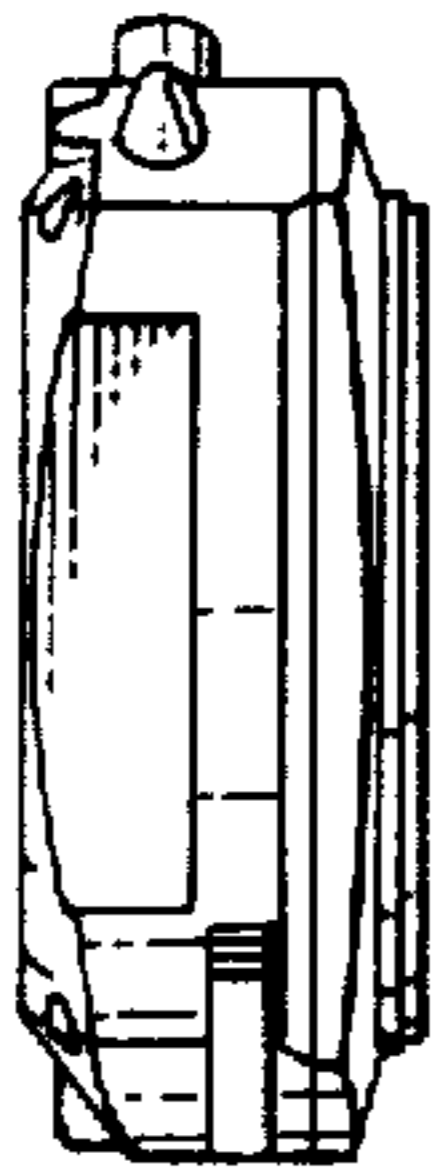


FIG. 4.



FIG. 5.

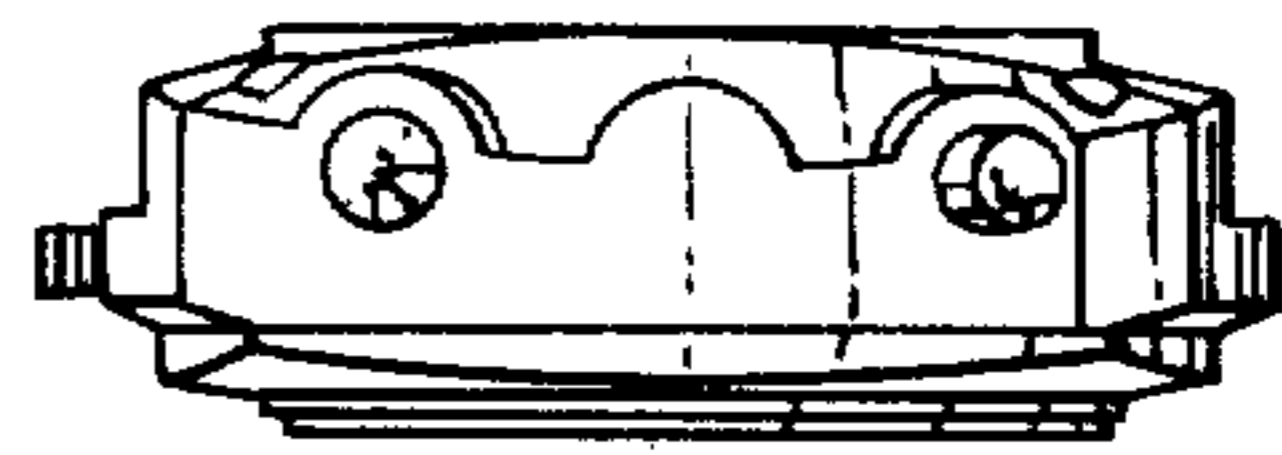


FIG. 6.

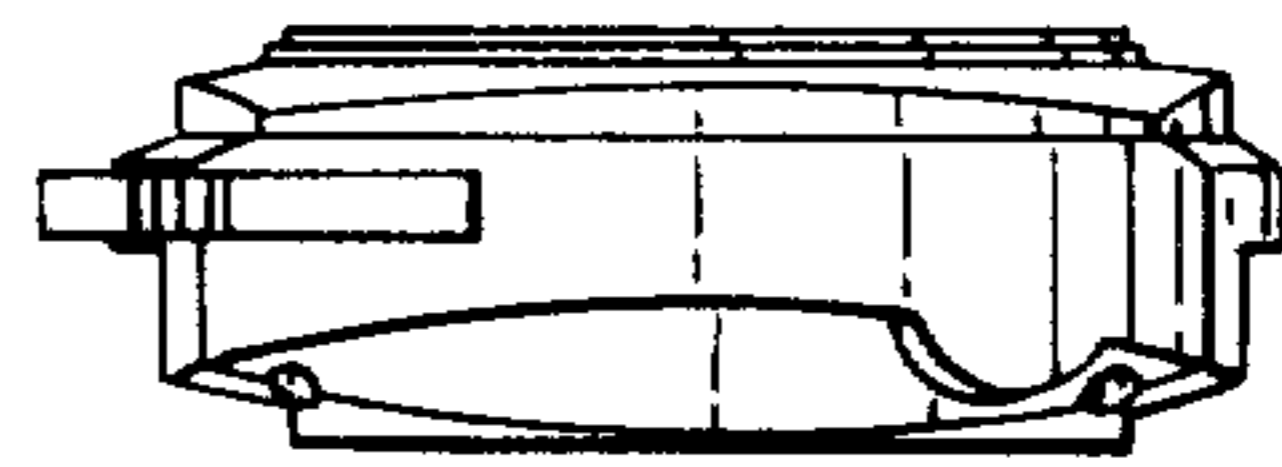


FIG. 7.

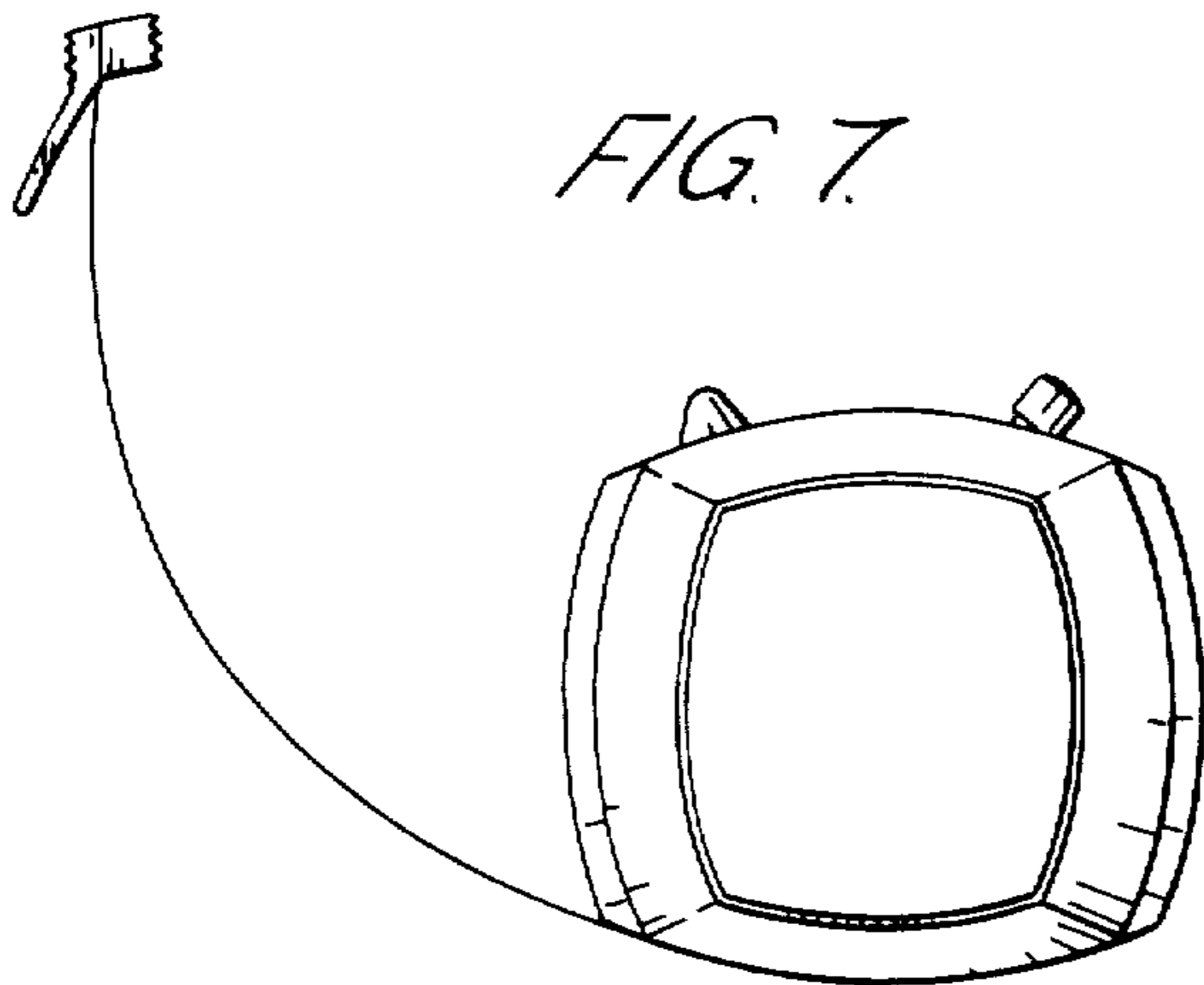


FIG. 8.

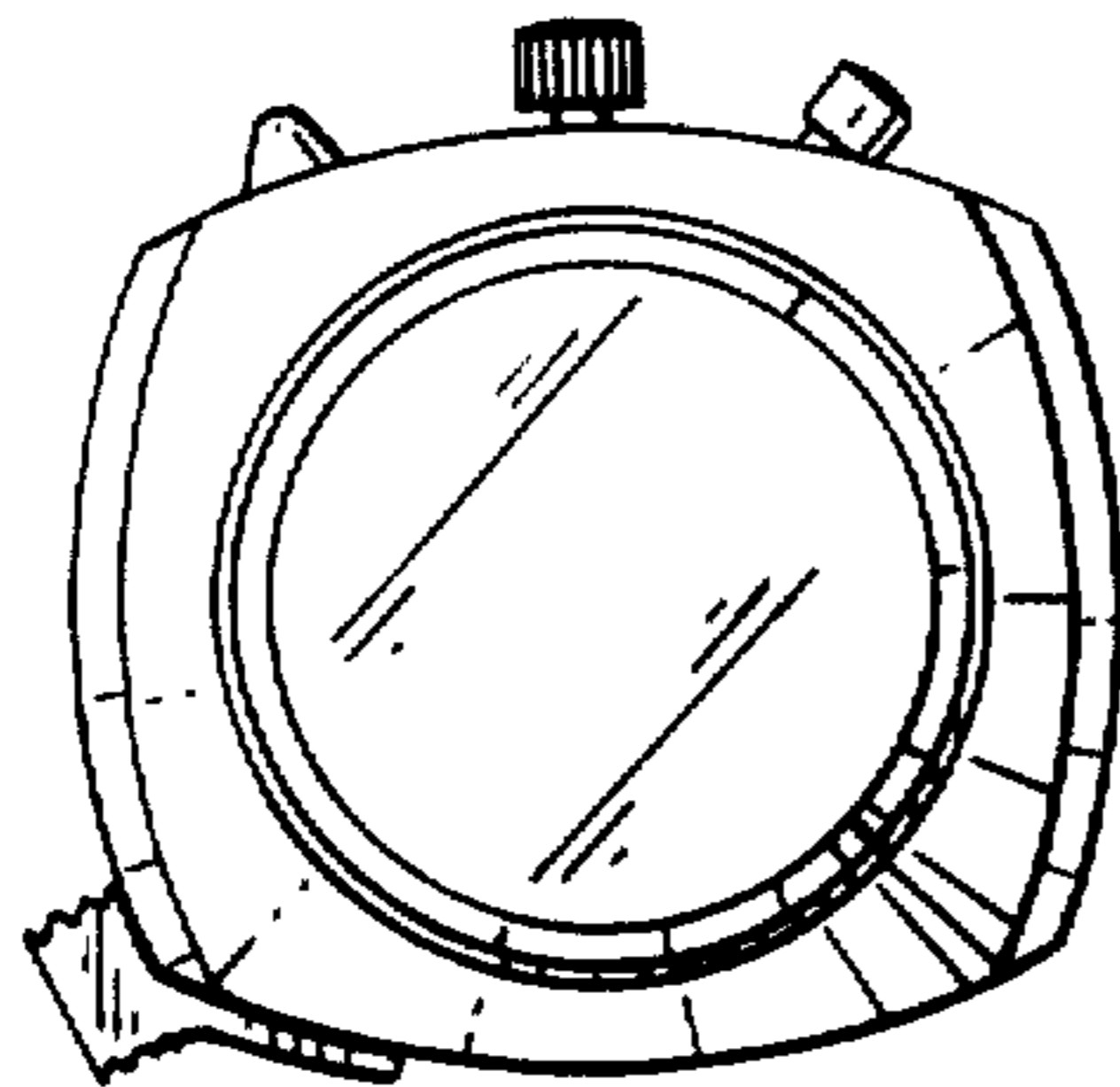


FIG. 9.

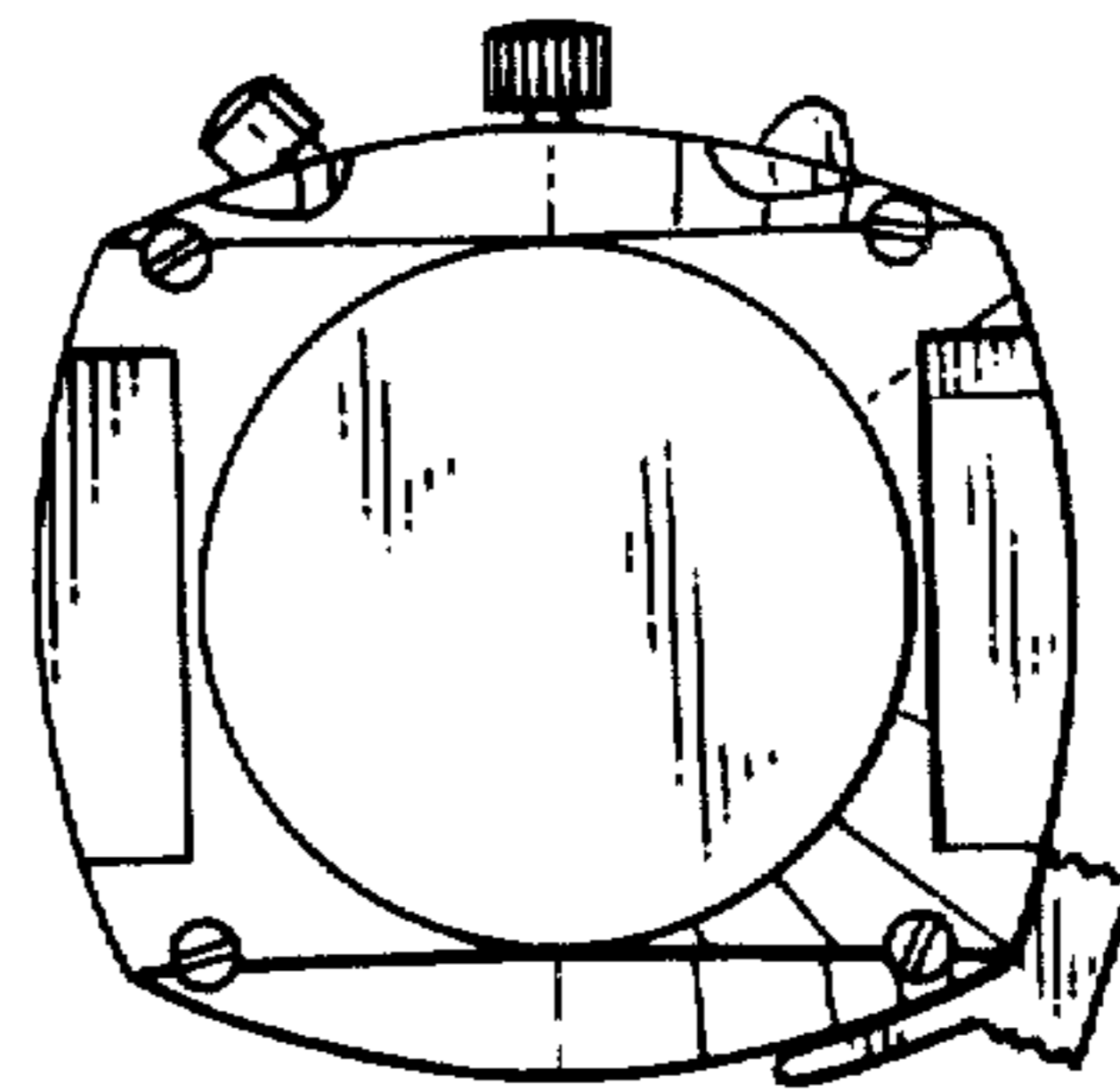


FIG. 10.



FIG. 11.



FIG. 12.

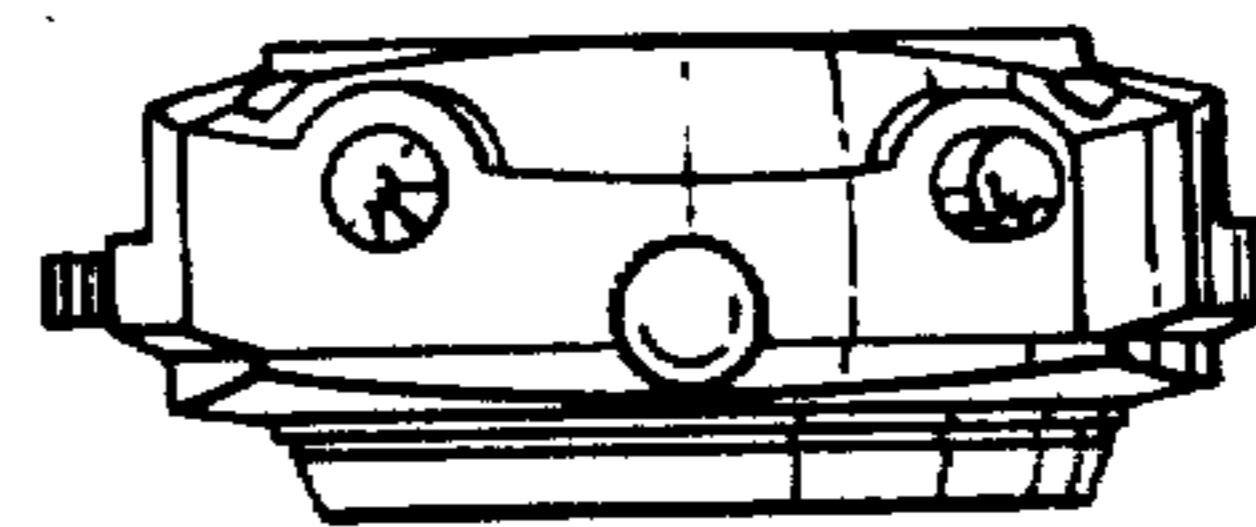


FIG. 14.

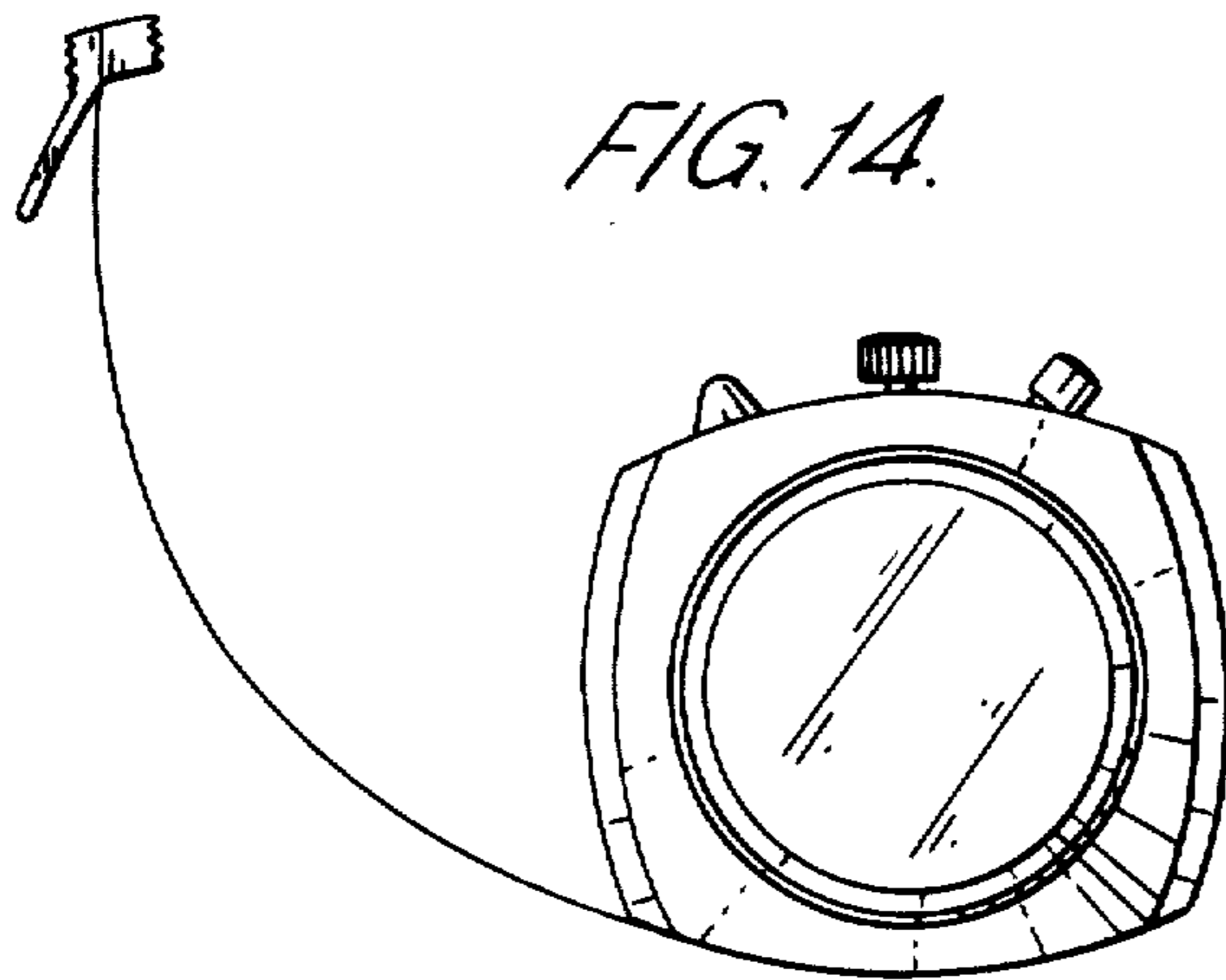


FIG. 13.

