

[54] COMBINED CASSETTE RECORDER AND RADIO RECEIVER

[75] Inventors: Teruyuki Nishimoto, Hirakata; Kikuo Ohta, Ikoma, both of Japan

[73] Assignee: Matsushita Electric Industrial Co., Ltd., Kadoma, Japan

[**] Term: 14 Years

[21] Appl. No.: 154,255

[22] Filed: May 29, 1980

[30] Foreign Application Priority Data

Dec. 20, 1979 [JP] Japan 54-53701

[51] Int. Cl. D14-01; D14-03

[52] U.S. Cl. D14/5; D14/6; D14/70; D14/72

[58] Field of Search D14/1, 2, 5, 6, 10, D14/33, 34, 39, 68, 70-72, 75, 76, 96, 99

[56] References Cited

U.S. PATENT DOCUMENTS

D. 75,562 6/1928 Heller D14/34

D. 245,037 7/1977 Ebata et al. D14/6 X

OTHER PUBLICATIONS

W. Bell & Co. '79 Cat., ©'78, p. 283, Item "K", Sony Cassette Recorder & Radio.

Sanyo Supplement to 6-4-79 Home Furnishings Daily, p. "3", Item #M2555.

Primary Examiner—Jane E. Corrigan
Attorney, Agent, or Firm—Sughrue, Mion, Zinn, Macpeak and Seas

[57] CLAIM

The ornamental design for a combined cassette recorder and radio receiver, as shown.

DESCRIPTION

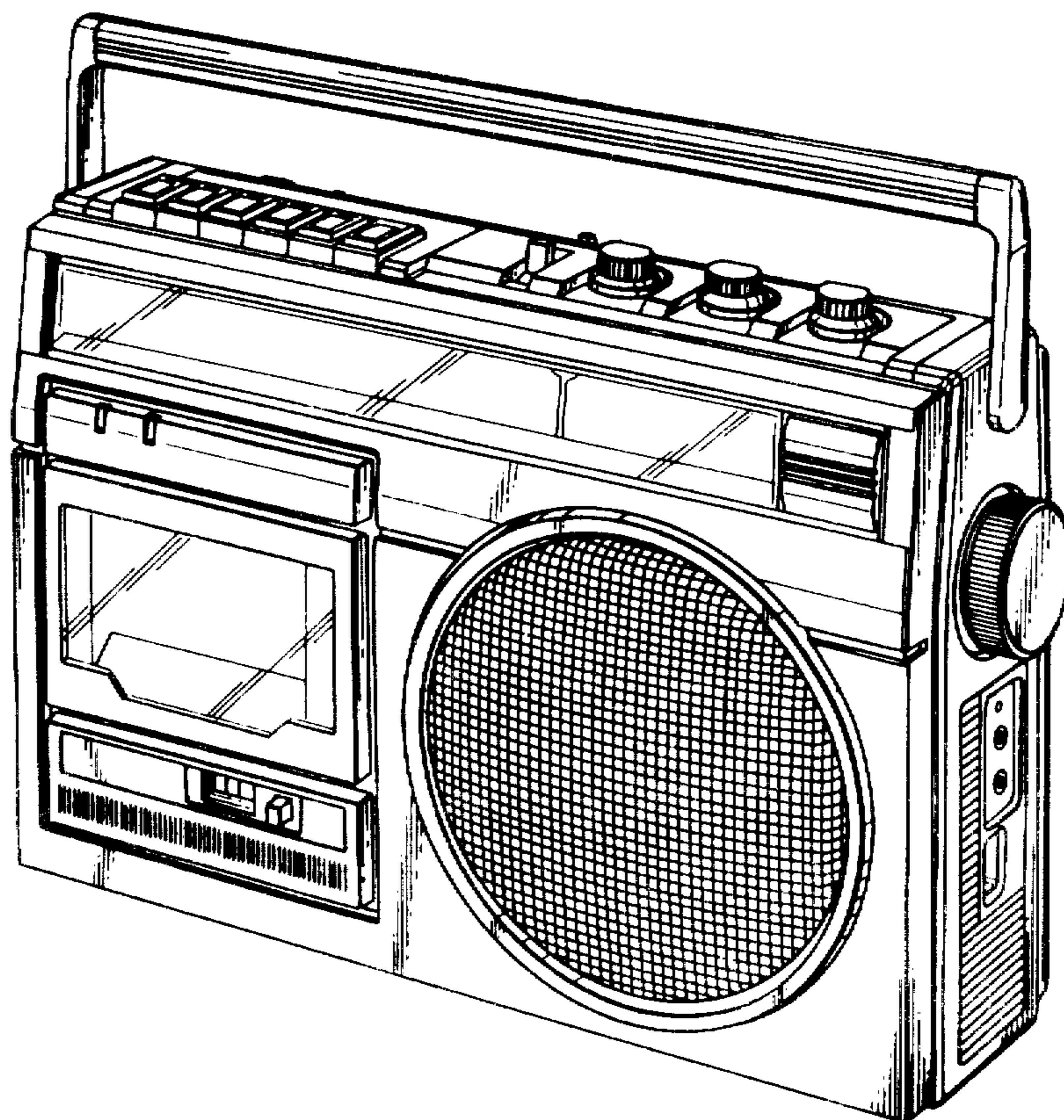
FIG. 1 is a front, top and right side perspective view of a combined cassette recorder and radio receiver showing our new design;

FIG. 2 is a rear, bottom and left side perspective view thereof;

FIG. 3 is a top plan view thereof;

FIG. 4 is a right side elevational view thereof; and

FIG. 5 is a left side elevational view thereof.



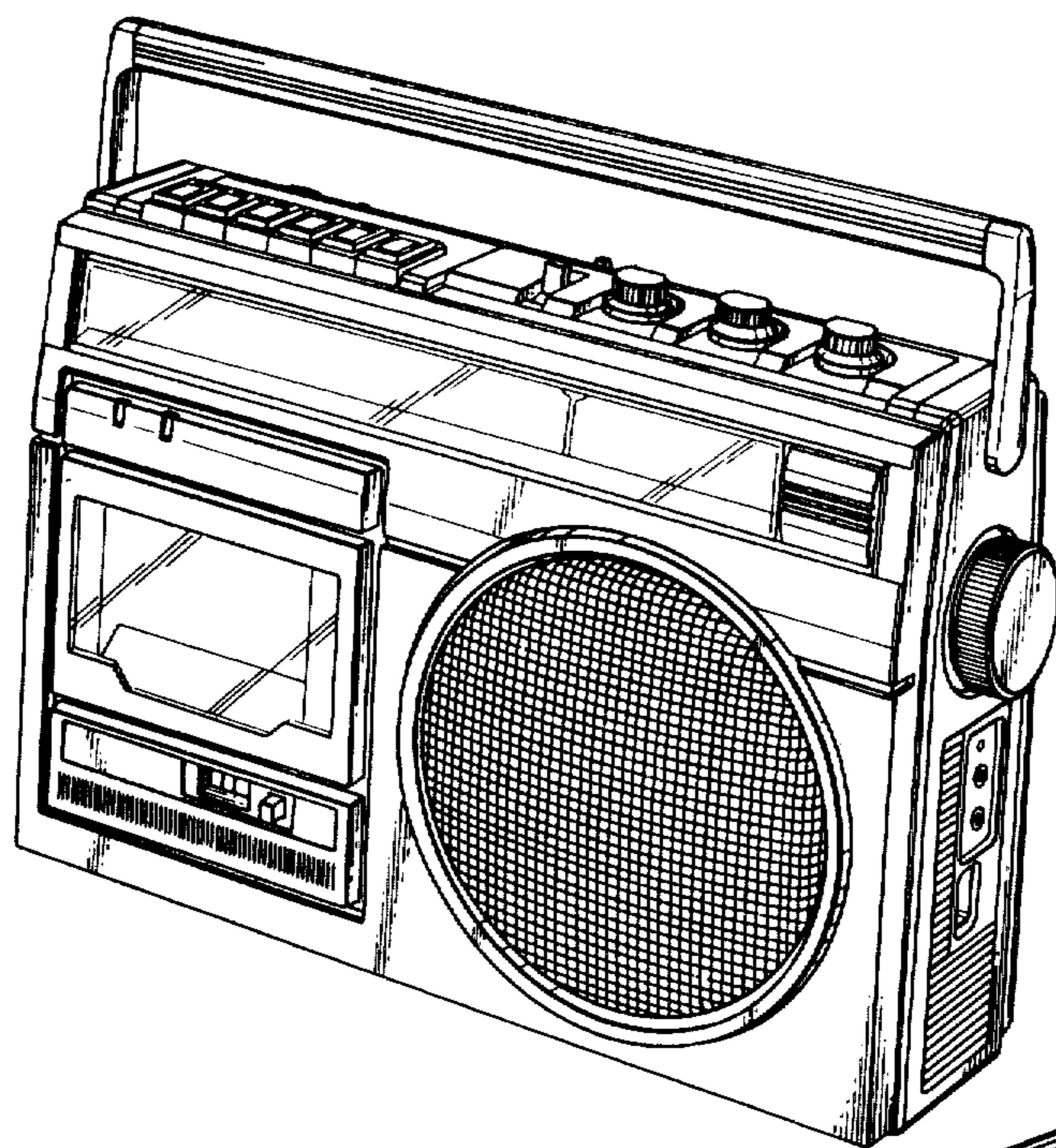


Fig. 1

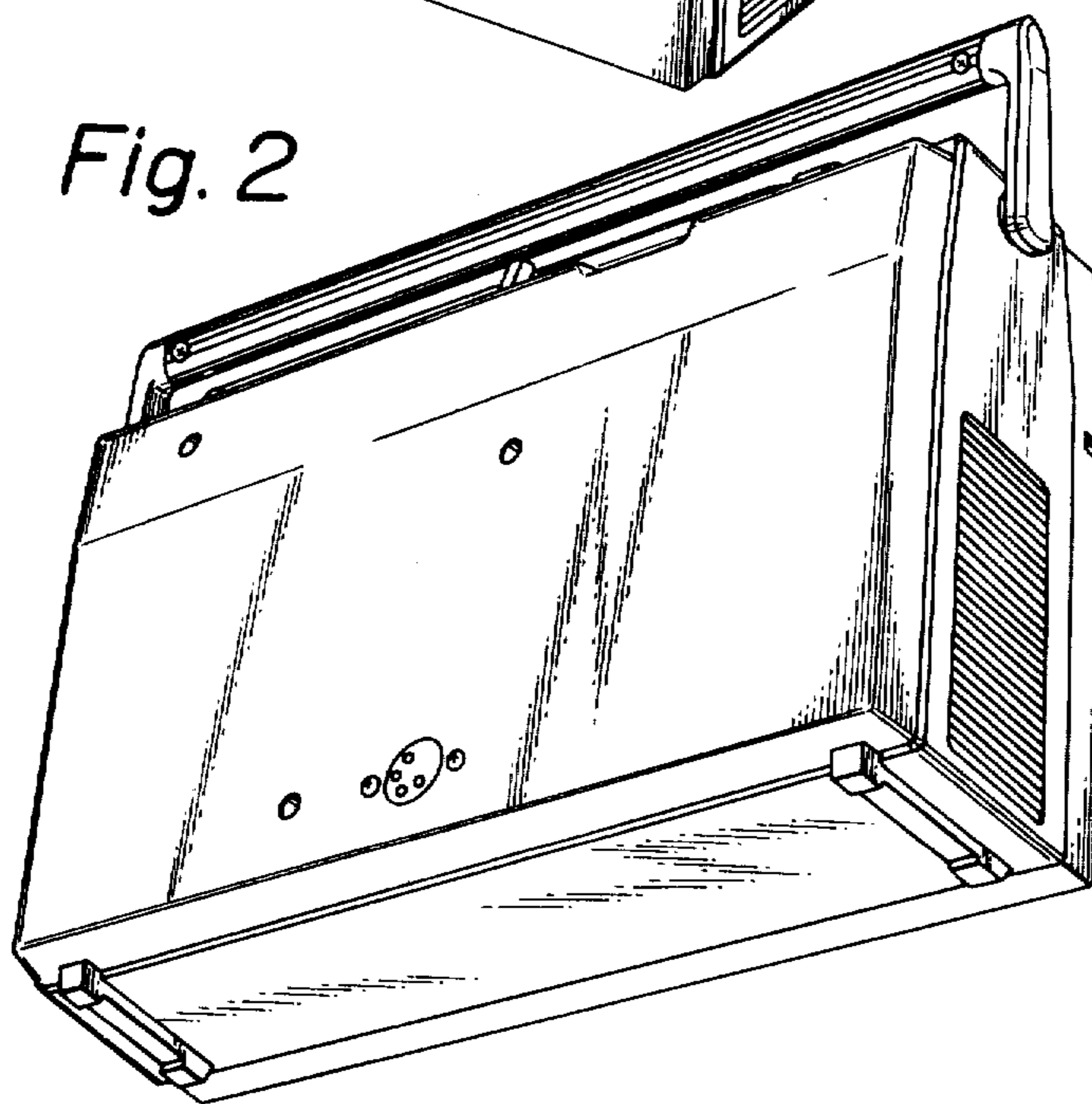


Fig. 2

Fig. 3

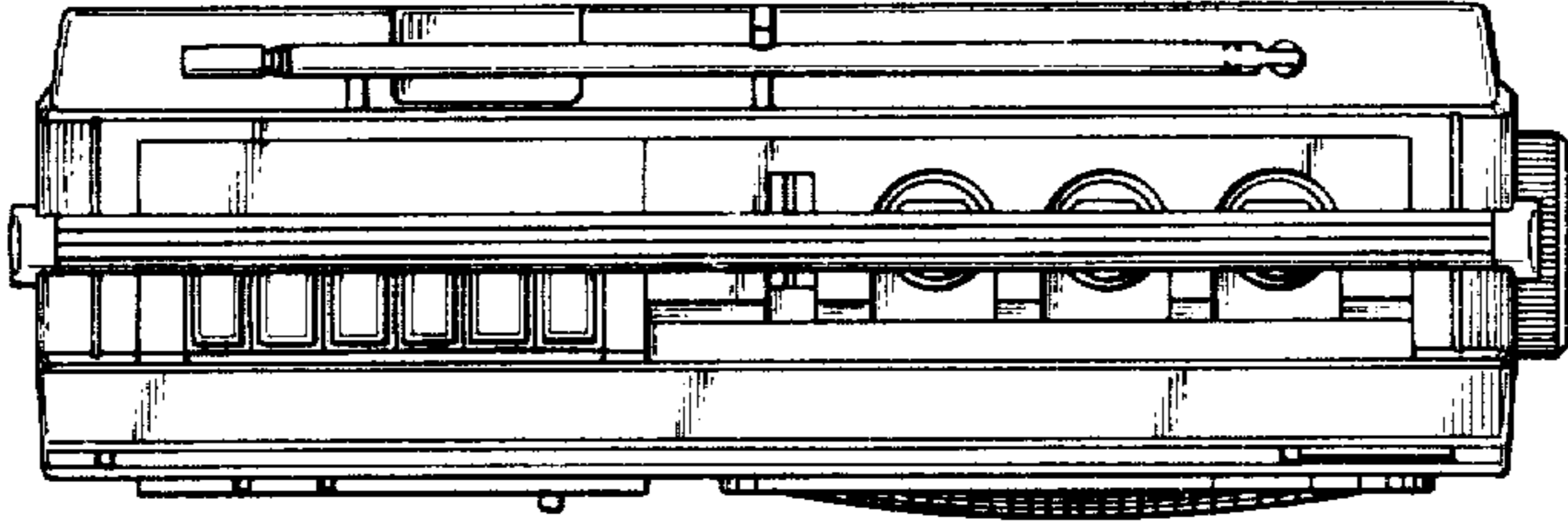


Fig. 4

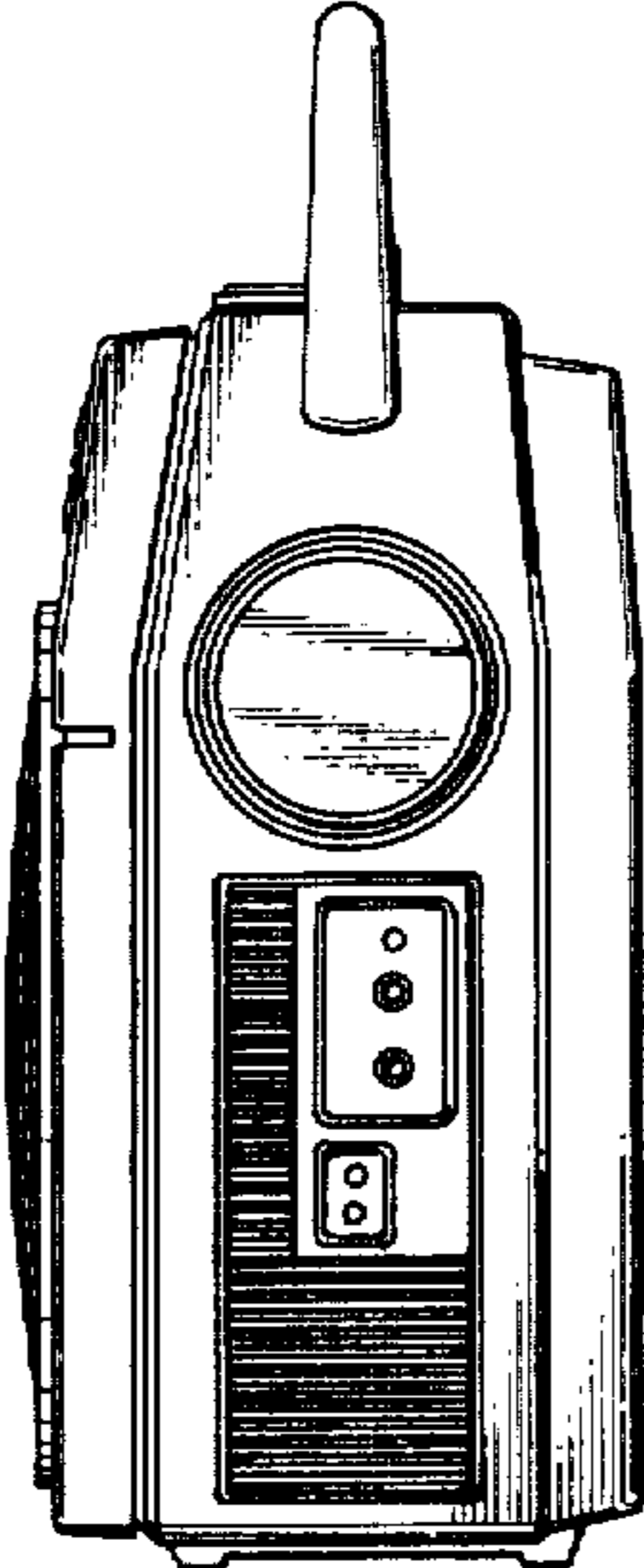


Fig. 5

