

[54] **VEHICLE WHEEL**

[75] **Inventor:** Donald J. Reid, Pleasant Ridge, Mich.

[73] **Assignee:** Kelsey-Hayes Co., Romulus, Mich.

[**] **Term:** 14 Years

[21] **Appl. No.:** 115,321

[22] **Filed:** Jan. 25, 1980

[51] **Int. Cl.** D12-16

[52] **U.S. Cl.** D12/211

[58] **Field of Search** D12/209, 211; 301/63 R, 301/64 R, 64 SD, 65

[56]

References Cited

U.S. PATENT DOCUMENTS

D. 238,421 1/1976 Wittine D12/211
D. 250,259 11/1978 Patch D12/209
D. 252,565 8/1979 Blanchard D12/211

Primary Examiner—James M. Gandy
Attorney, Agent, or Firm—Ralph J. Skinkiss

[57]

CLAIM

The ornamental design for a vehicle wheel, substantially as shown.

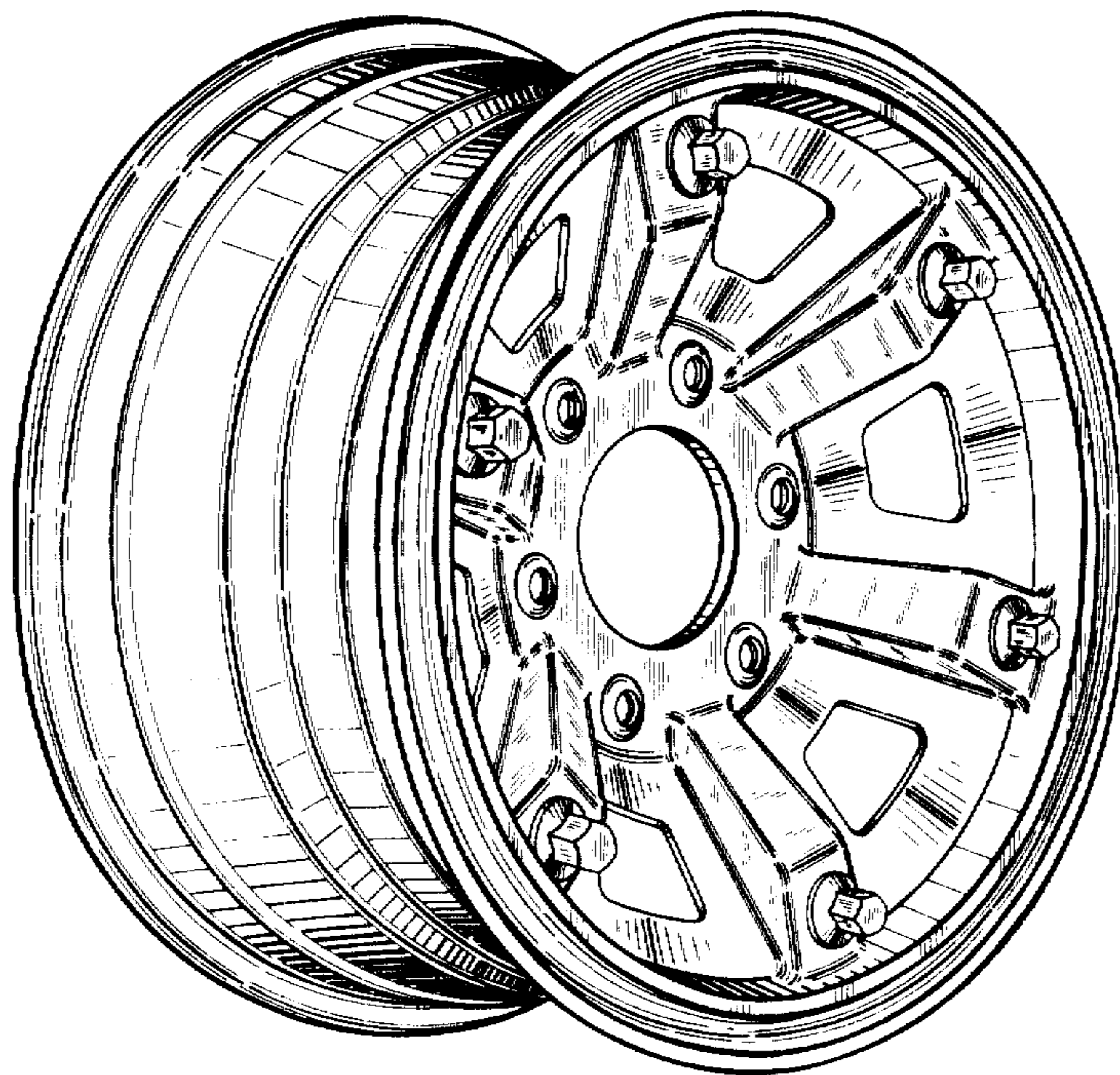
DESCRIPTION

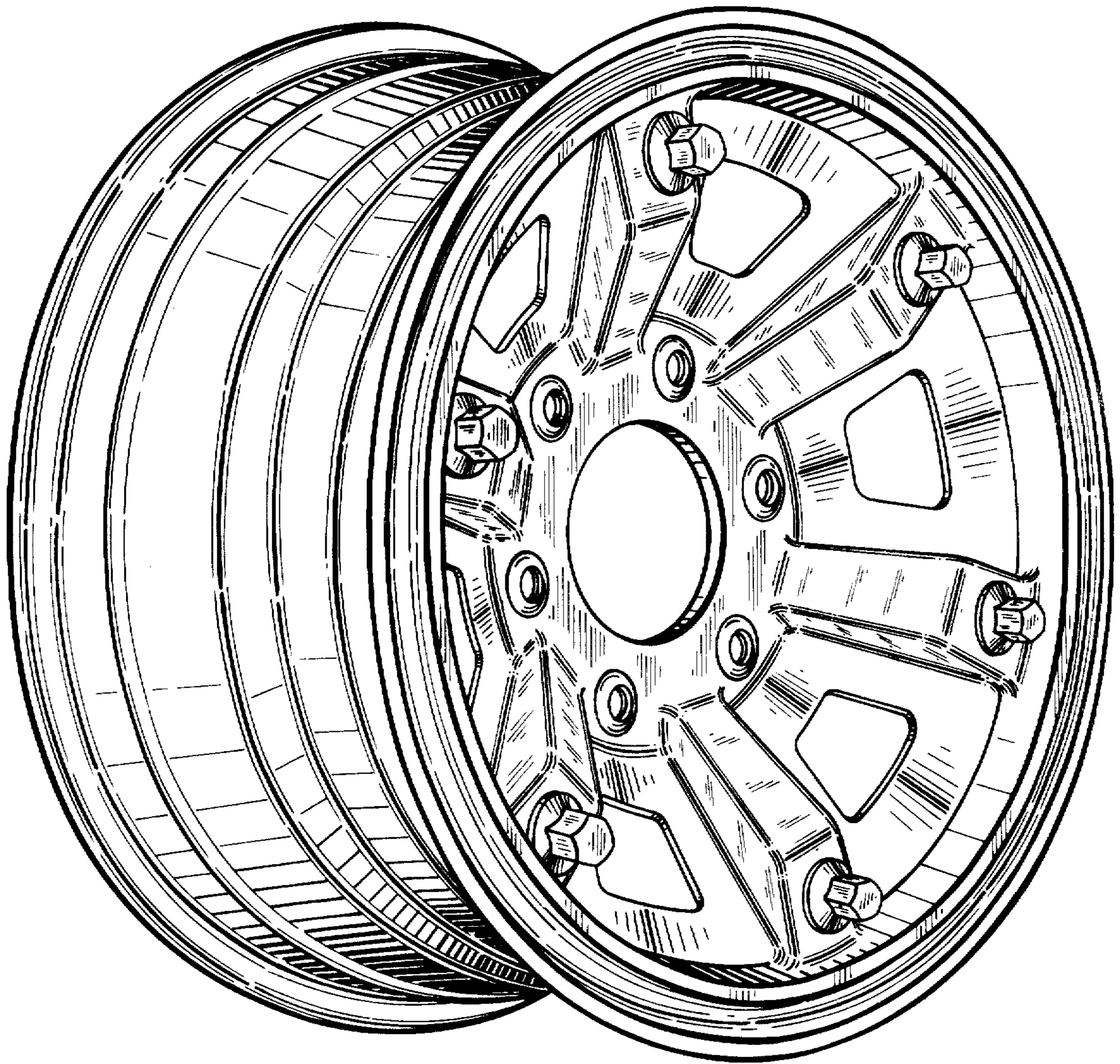
FIG. 1 is a left front perspective view of a vehicle wheel showing my new design.

FIG. 2 is a front elevational view thereof.

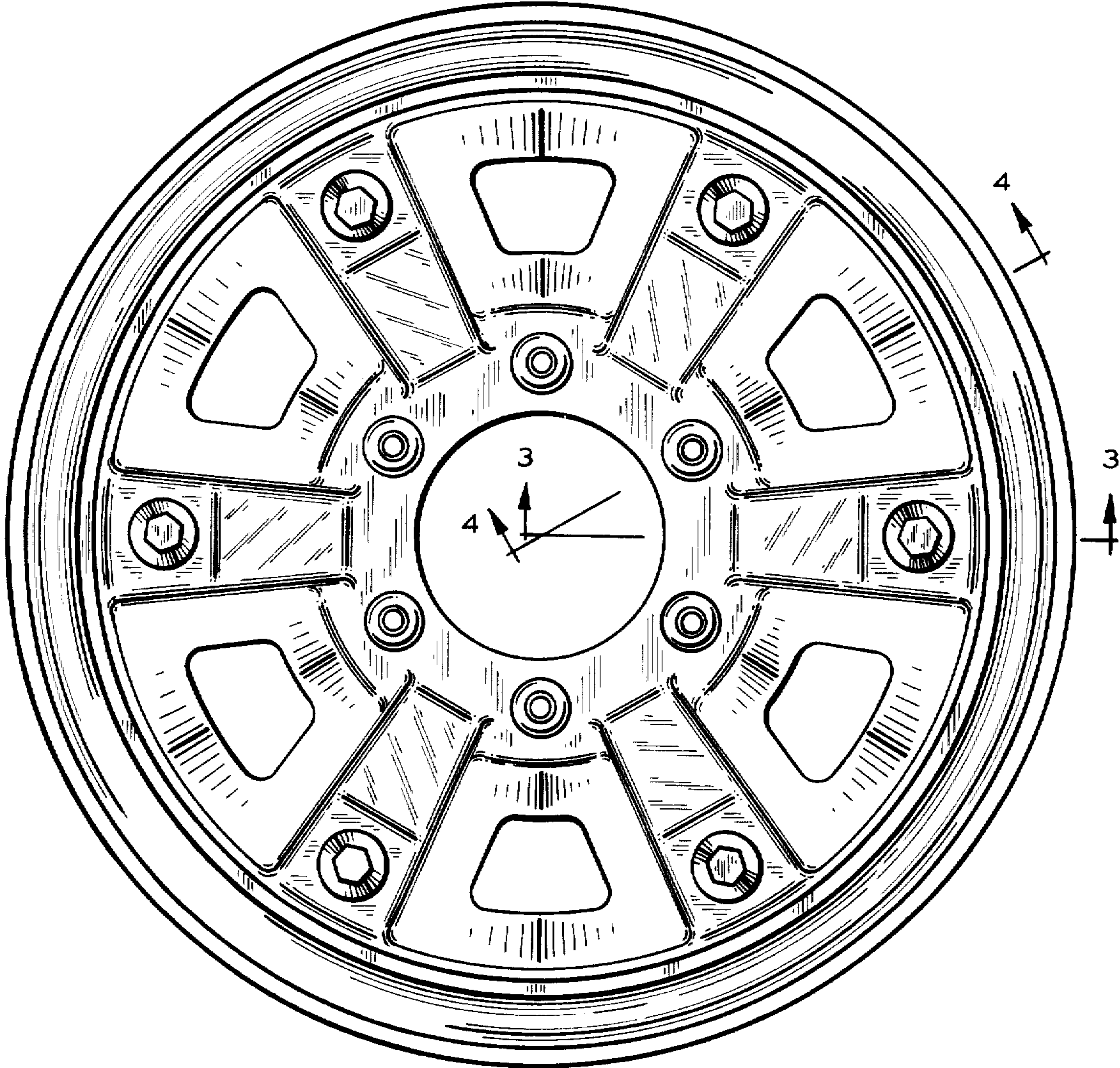
FIG. 3 is an enlarged sectional view taken along line 3—3 in FIG. 2.

FIG. 4 is an enlarged sectional view taken along line 4—4 in FIG. 2.

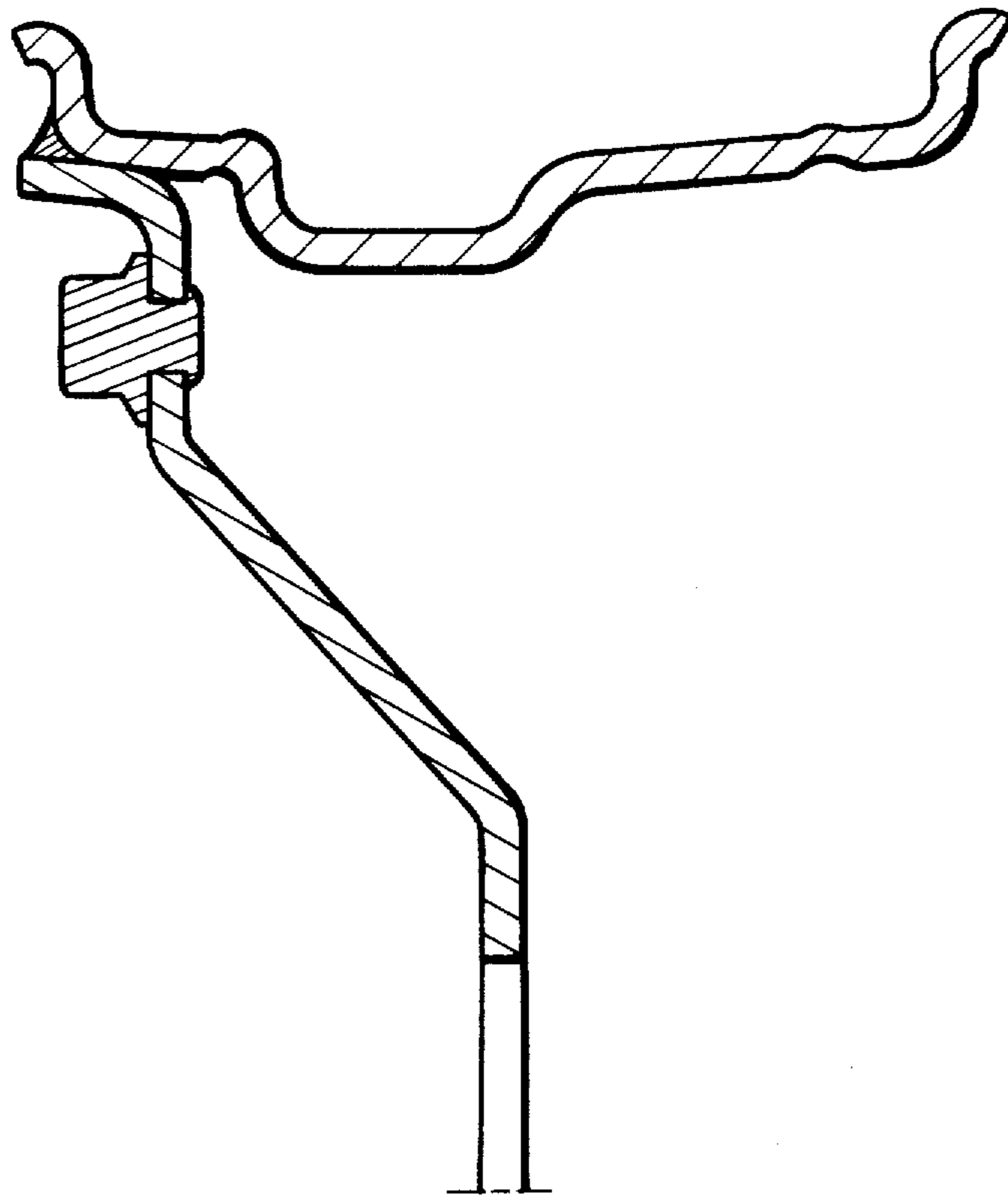




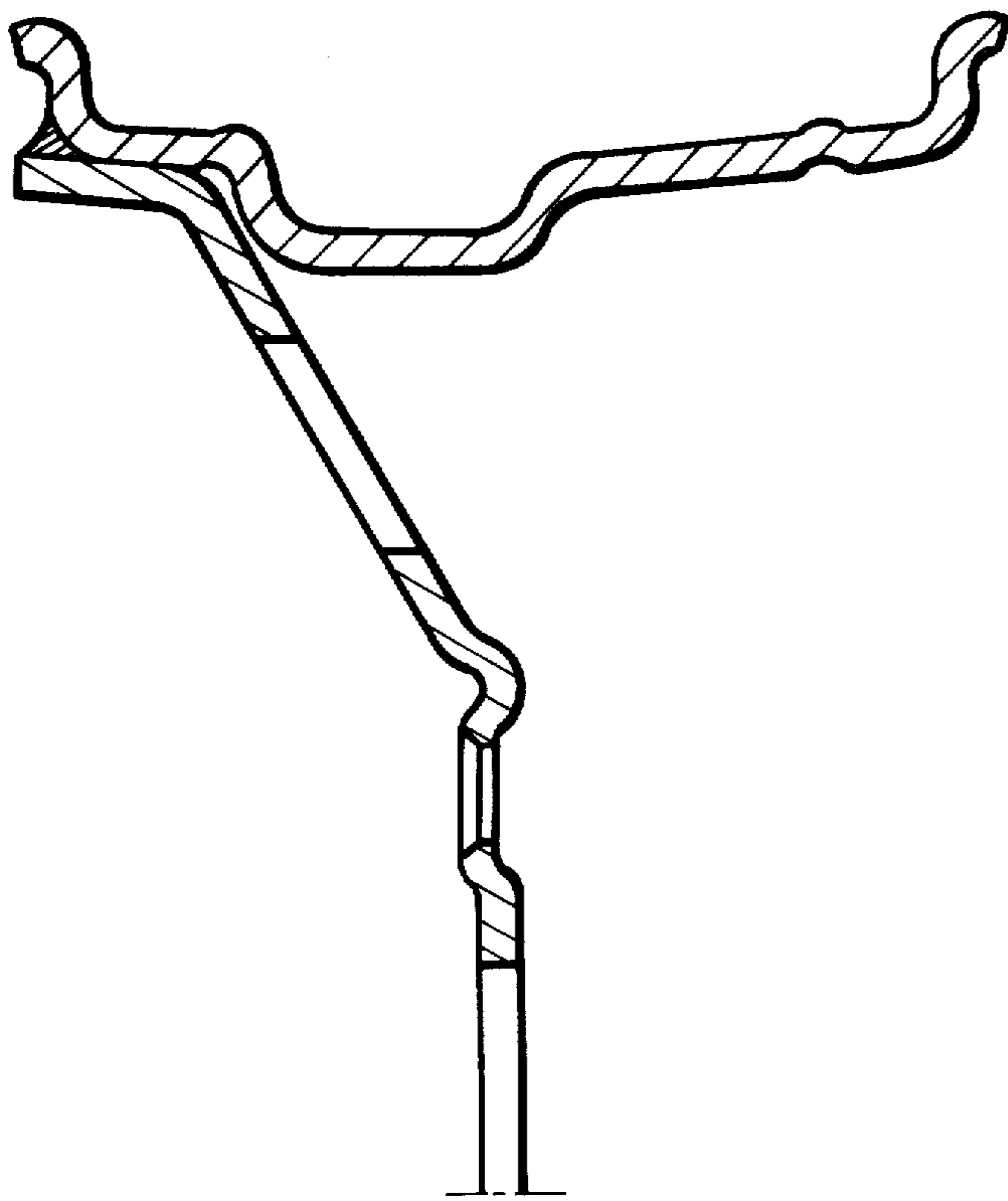
—FIG. 1



—FIG. 2



—FIG. 3



—FIG. 4