

[54] MOTORCYCLE

[75] Inventor: Shinji Iwasaki, Tokyo, Japan

[73] Assignee: Yamaha Hatsudoki Kabushiki Kaisha, Japan

[\*\*] Term: 14 Years

[21] Appl. No.: 17,714

[22] Filed: Mar. 5, 1979

[51] Int. Cl. .... D12-11

[52] U.S. Cl. .... D12/110

[58] Field of Search ..... D12/110; 180/219, 223, 180/224, 226, 229

[56] References Cited

U.S. PATENT DOCUMENTS

- D. 241,527 9/1976 Kojo ..... D12/110
- D. 252,325 7/1979 Hori et al. .... D12/110

OTHER PUBLICATIONS

American Bicyclist & Motorcyclist, 7/77, p. 55, Cricket Moped, bottom left side of page.

Primary Examiner—James M. Gandy  
Attorney, Agent, or Firm—Ostrolenk, Faber, Gerb & Soffen

[57] CLAIM

The ornamental design for a motorcycle, as shown.

DESCRIPTION

FIG. 1 is a front elevational view of a motorcycle showing my new design;

FIG. 2 is a rear elevational view thereof;

FIG. 3 is a right side elevational view thereof;

FIG. 4 is a left side elevational view thereof;

FIG. 5 is a top plan view thereof; and

FIG. 6 is a perspective view thereof.

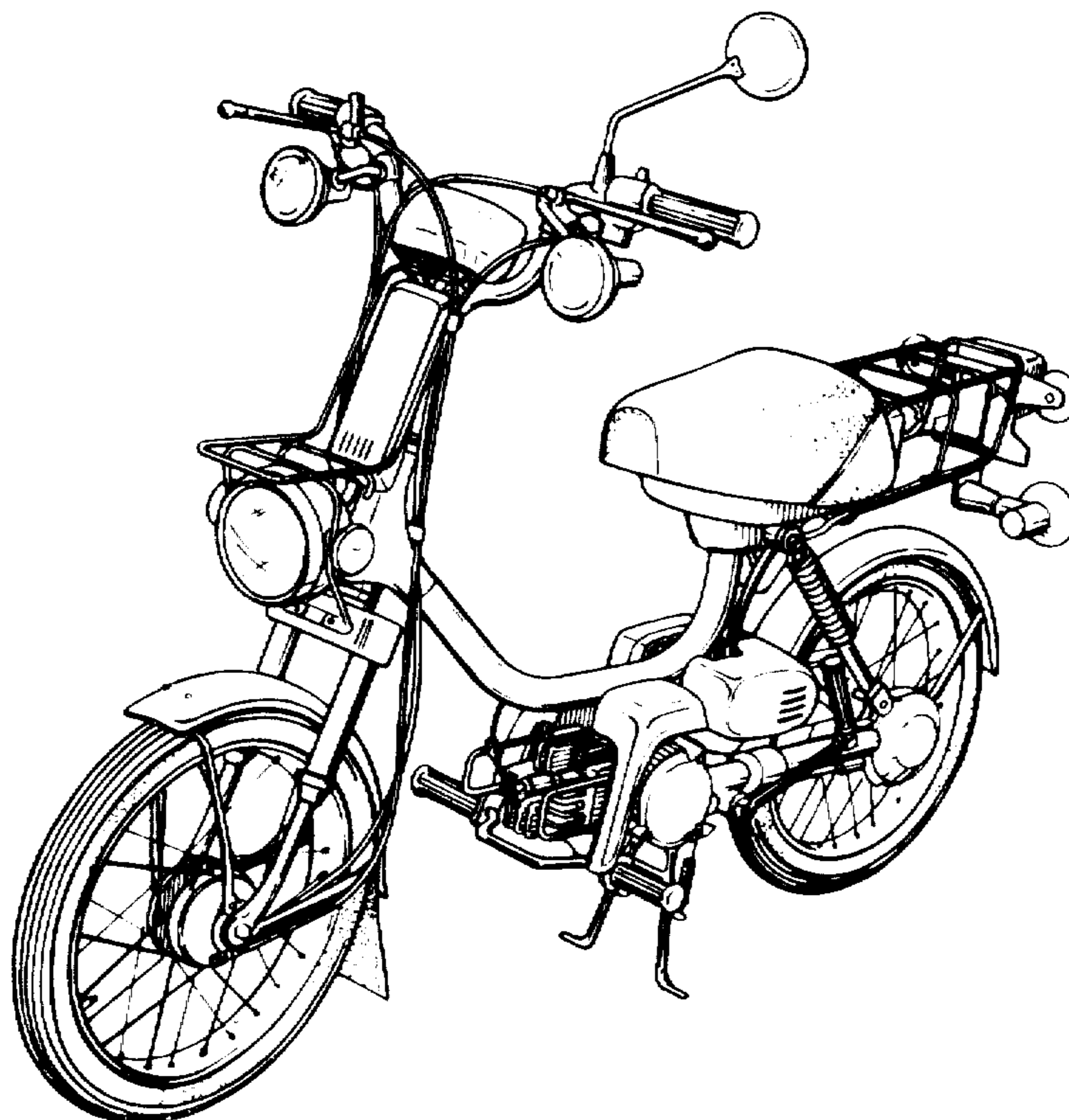


FIG.2

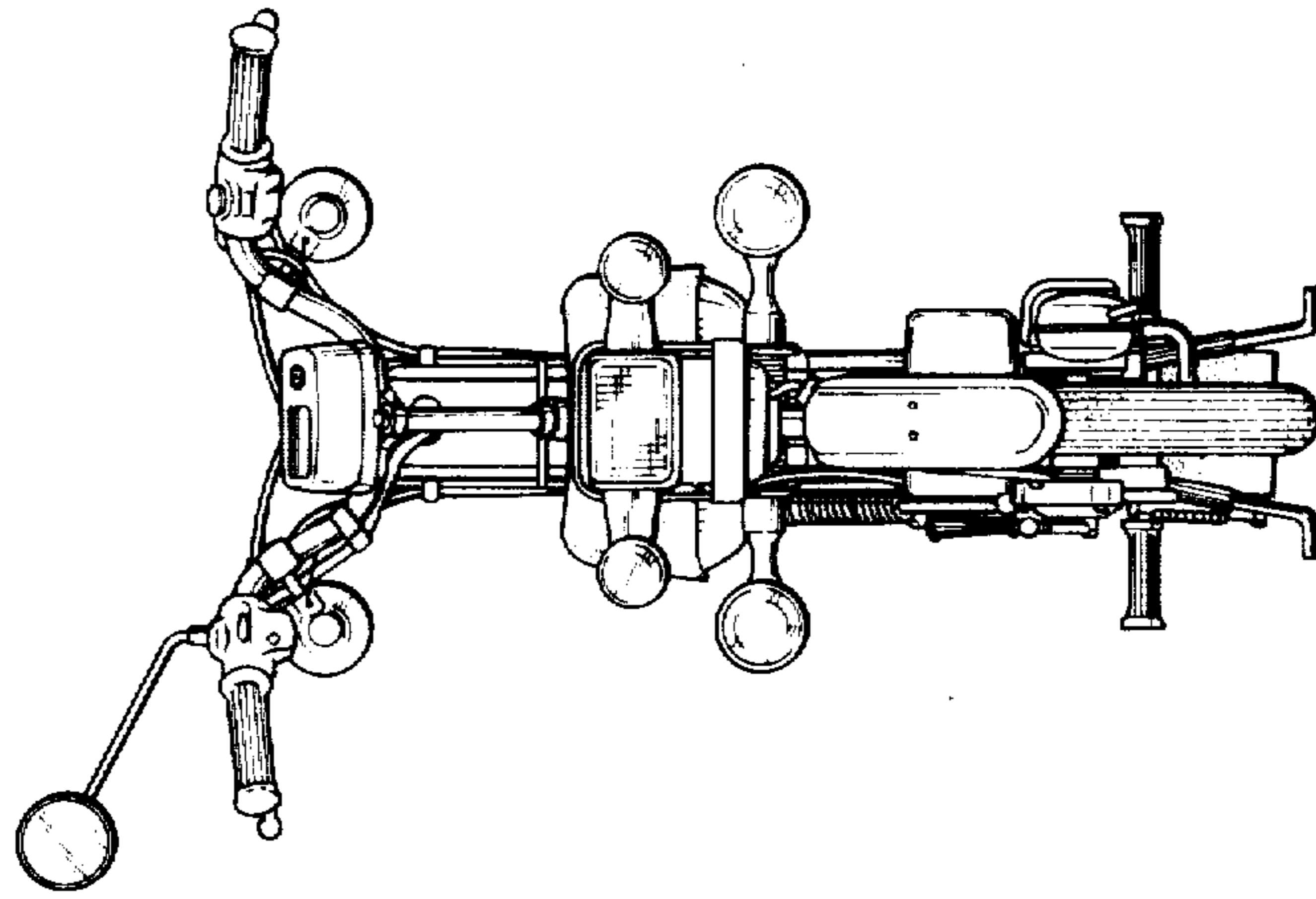


FIG.1

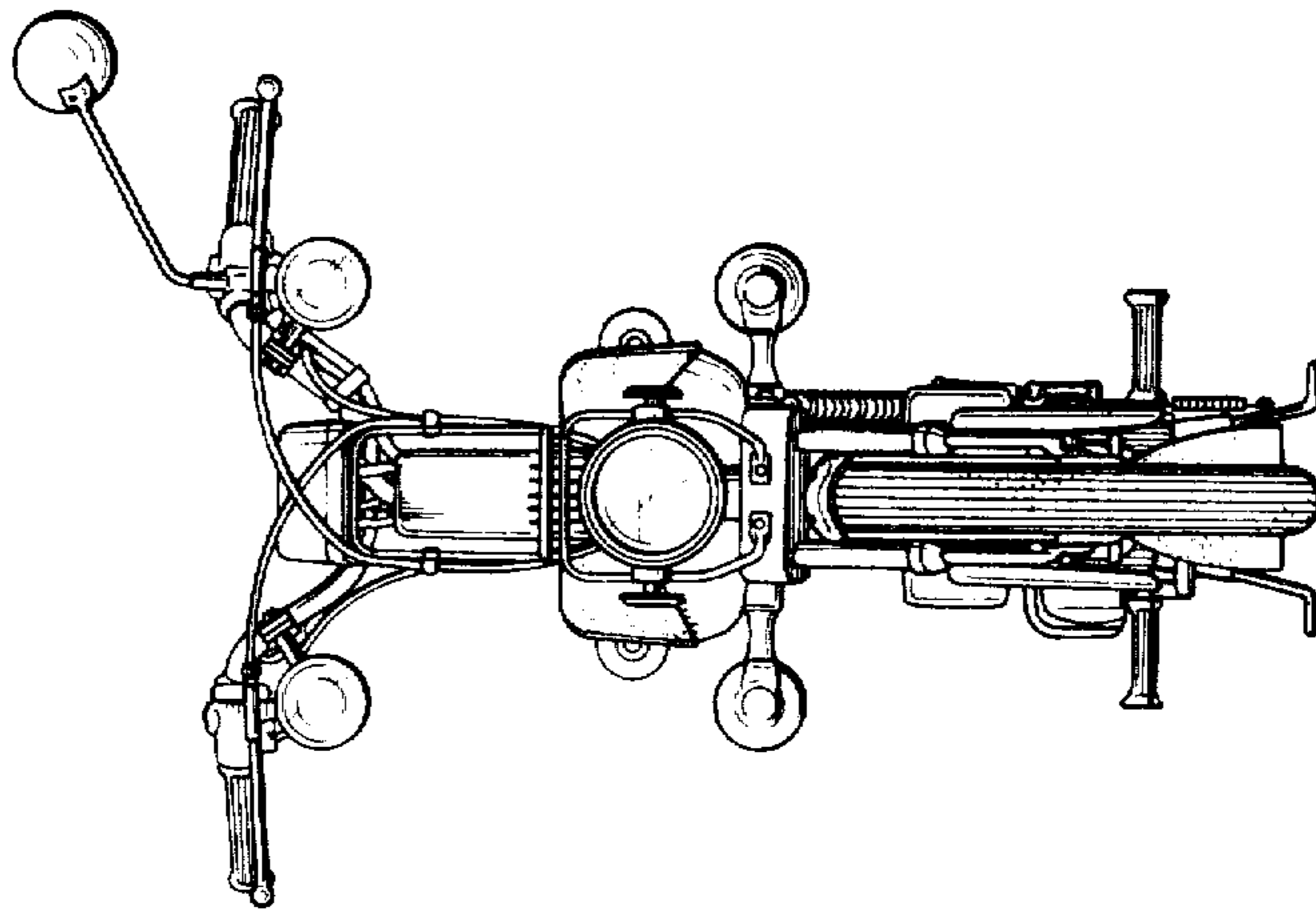


FIG.3

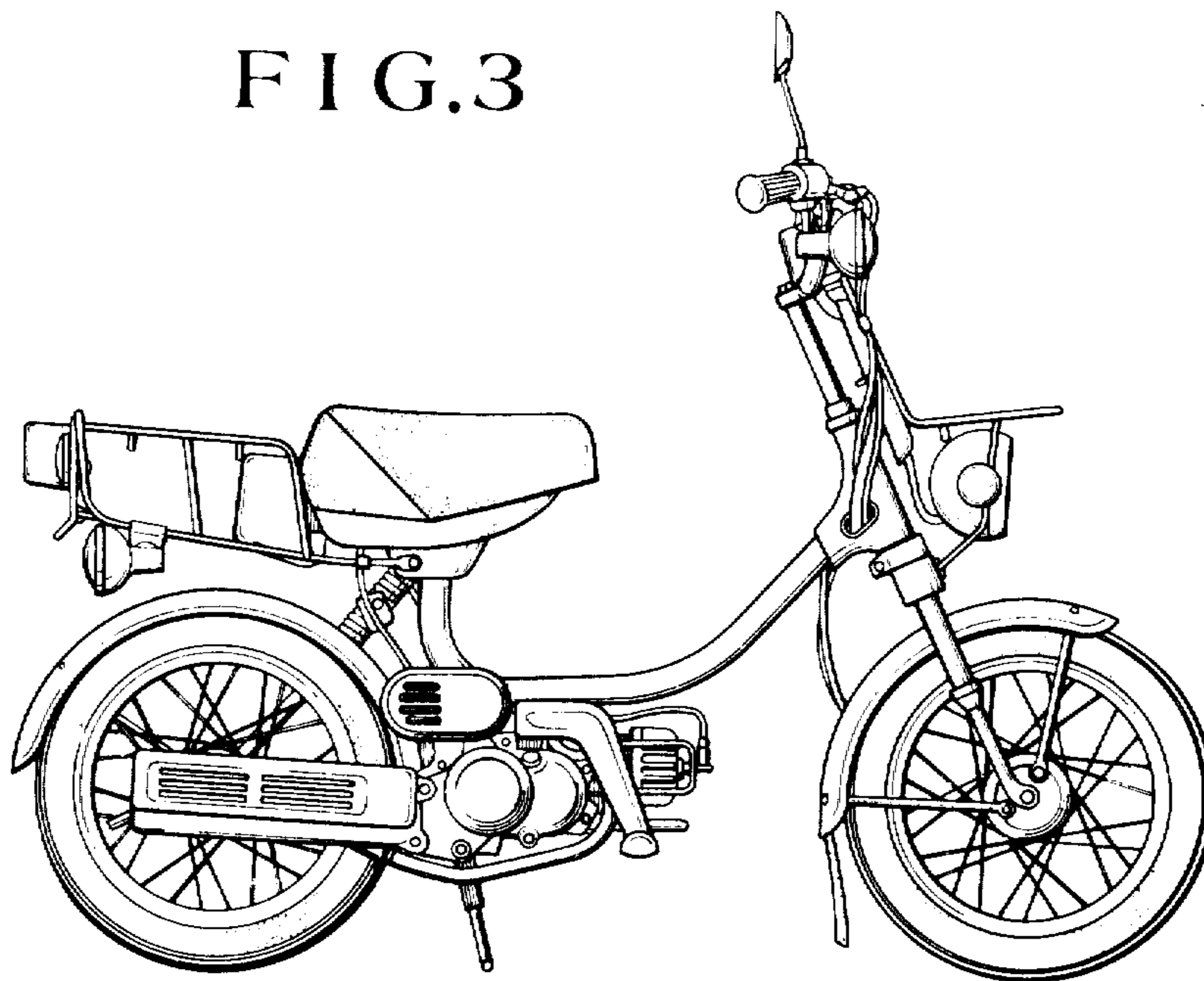


FIG.4

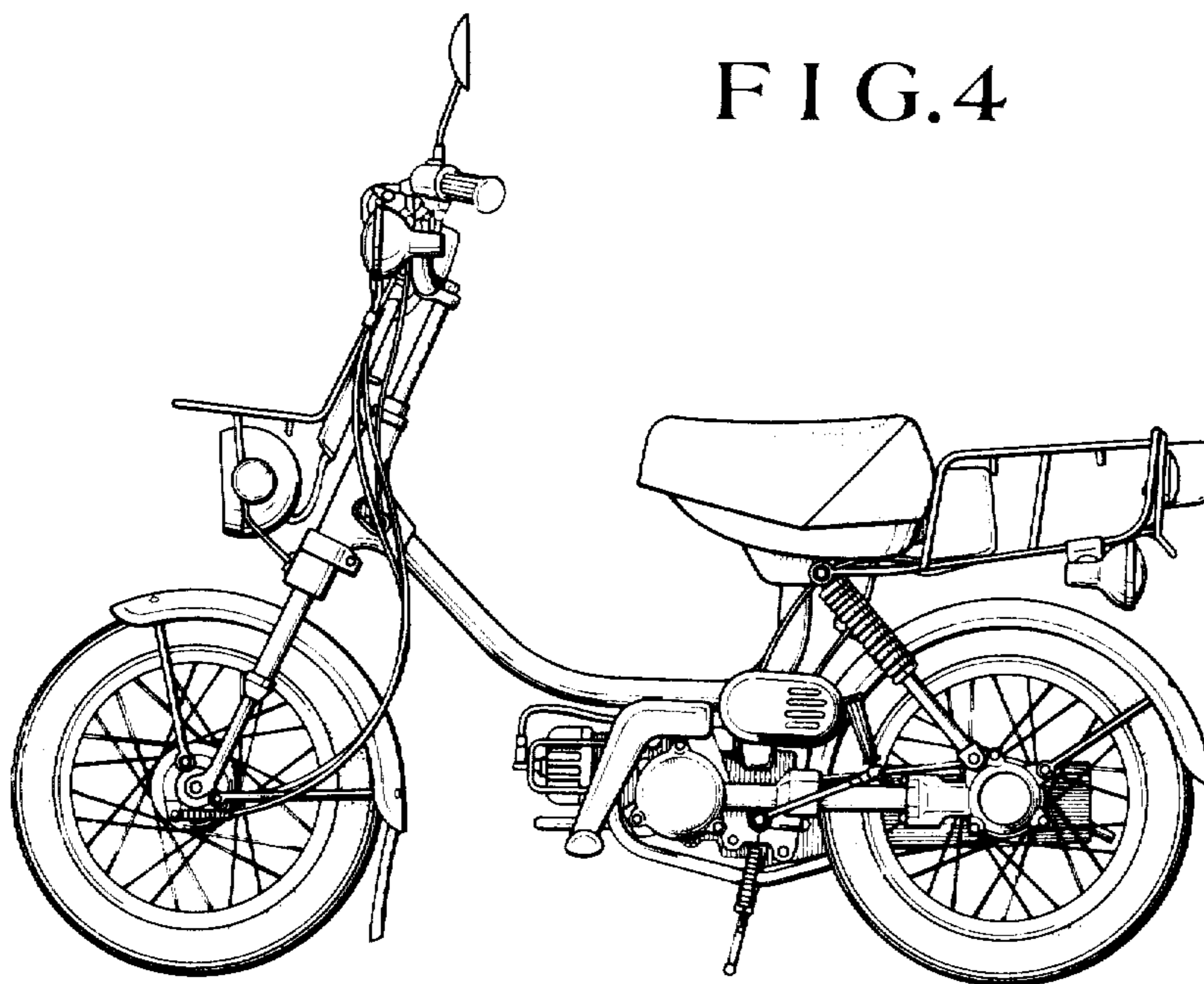


FIG.6

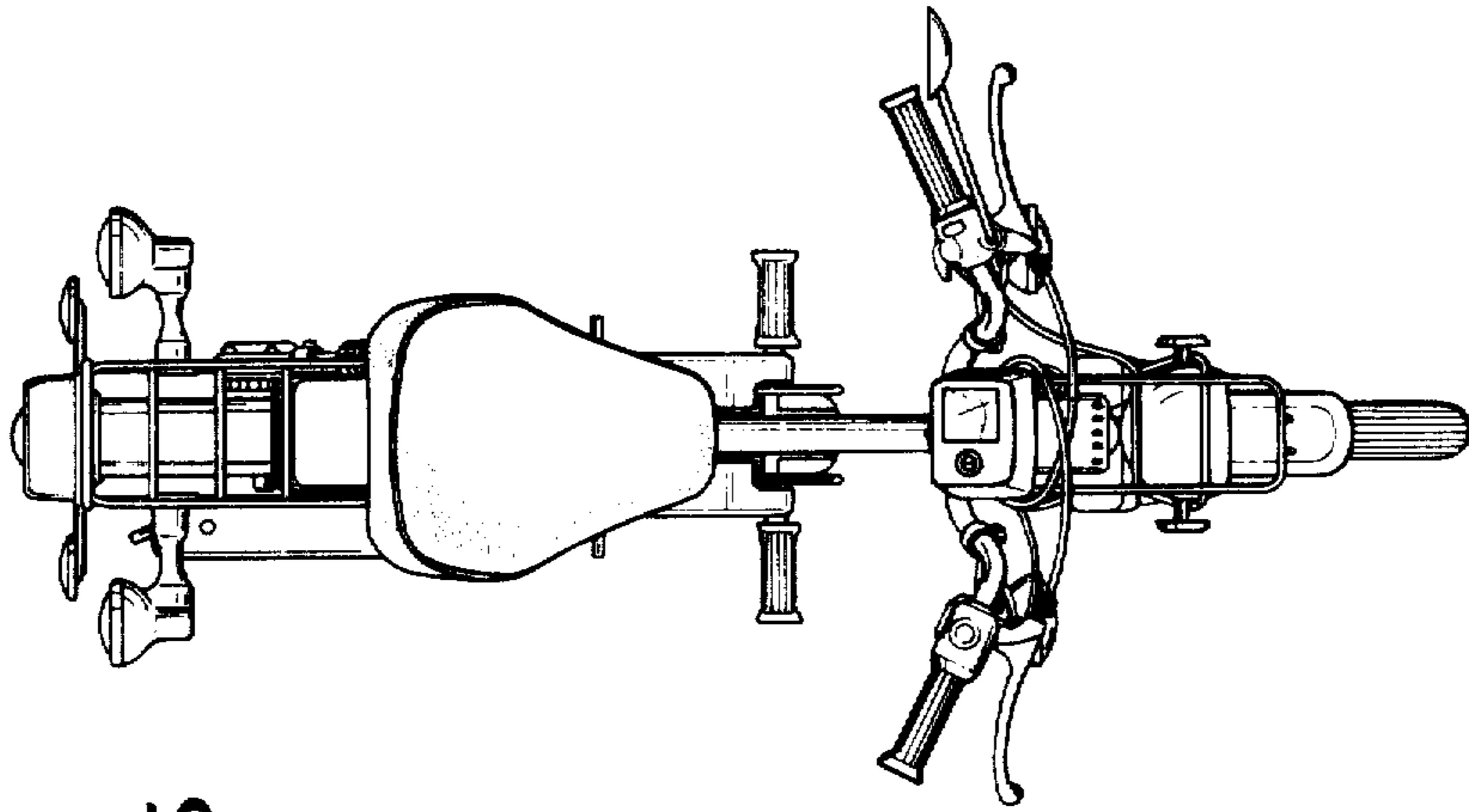
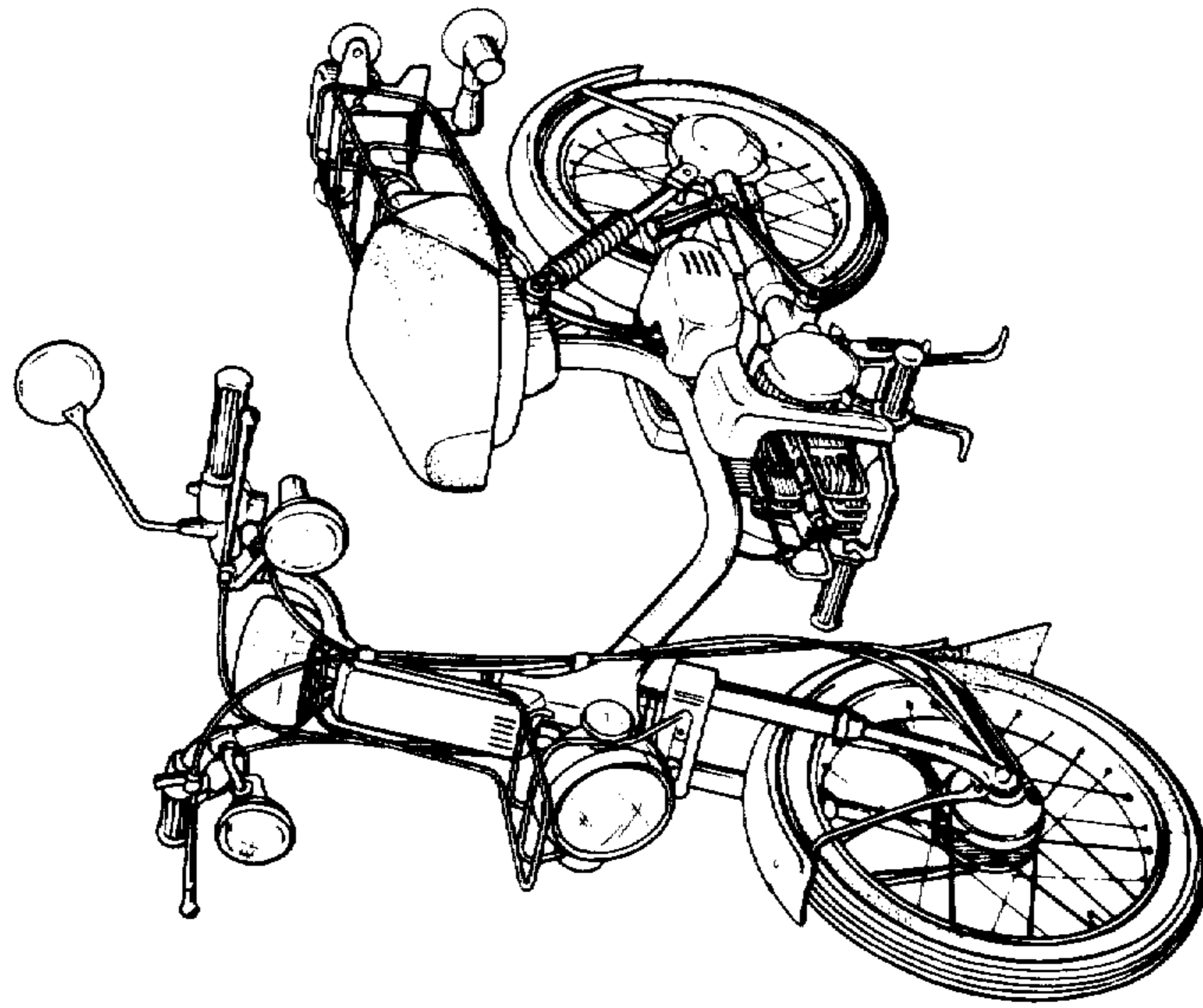


FIG.5