

[54] HYDROPONIC PLANTER

[76] Inventor: Everett A. Ham, Jr., P.O. Box 912, North Little Rock, Ark. 72115

[**] Term: 14 Years

[21] Appl. No.: 126,109

[22] Filed: Feb. 29, 1980

[51] Int. Cl. D11-02

[52] U.S. Cl. D11/156

[58] Field of Search D11/143-145, D11/149, 151-156, 164; 47/59-69, 71, 72, 79-87

[56] References Cited

U.S. PATENT DOCUMENTS

D. 243,113	1/1977	Hirsch	D11/156
D. 245,681	9/1977	Farner	D11/143
D. 247,357	2/1978	Gray	D11/156
3,300,895	1/1967	Dosedla et al.	47/62
3,992,809	11/1976	Chew	47/62

Primary Examiner—B. J. Bullock
Attorney, Agent, or Firm—Brady, O'Boyle & Gates

[57] CLAIM

The ornamental design for a hydroponic planter, substantially as shown.

DESCRIPTION

FIG. 1 is a rear elevational view of a hydroponic planter showing my new design, the hose being shown broken away to indicate indeterminate length;
 FIG. 2 is a front elevational view thereof;
 FIG. 3 is an end elevational view looking from the right side of FIG. 1;
 FIG. 4 is an elevational view of the opposite end thereof;
 FIG. 5 is a top plan view thereof;
 FIG. 6 is a bottom plan view thereof;
 FIG. 7 is an exploded front, top perspective view of the trays shown separately for ease of illustration;
 FIG. 8 is an exploded rear, bottom perspective view of FIG. 7.

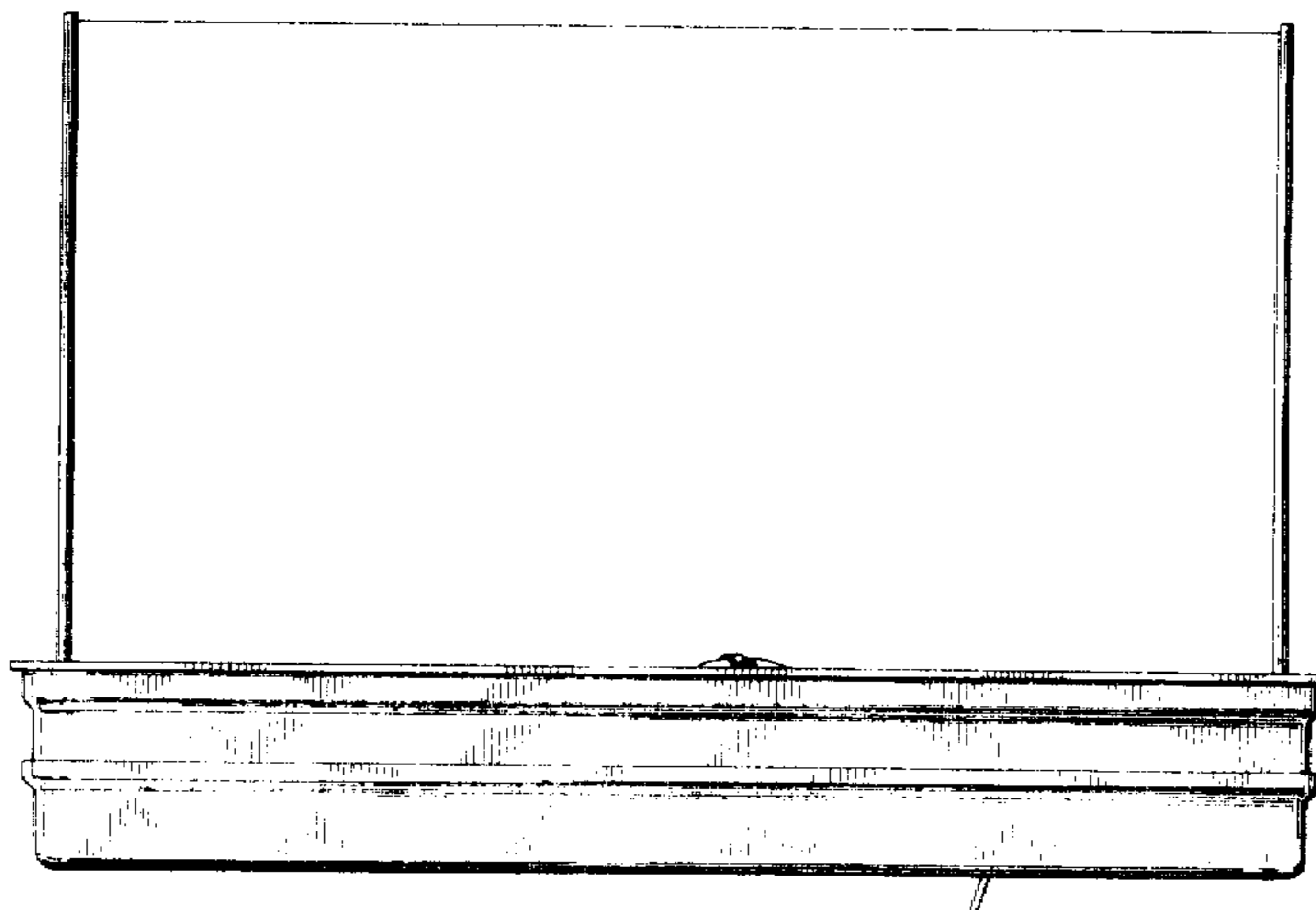
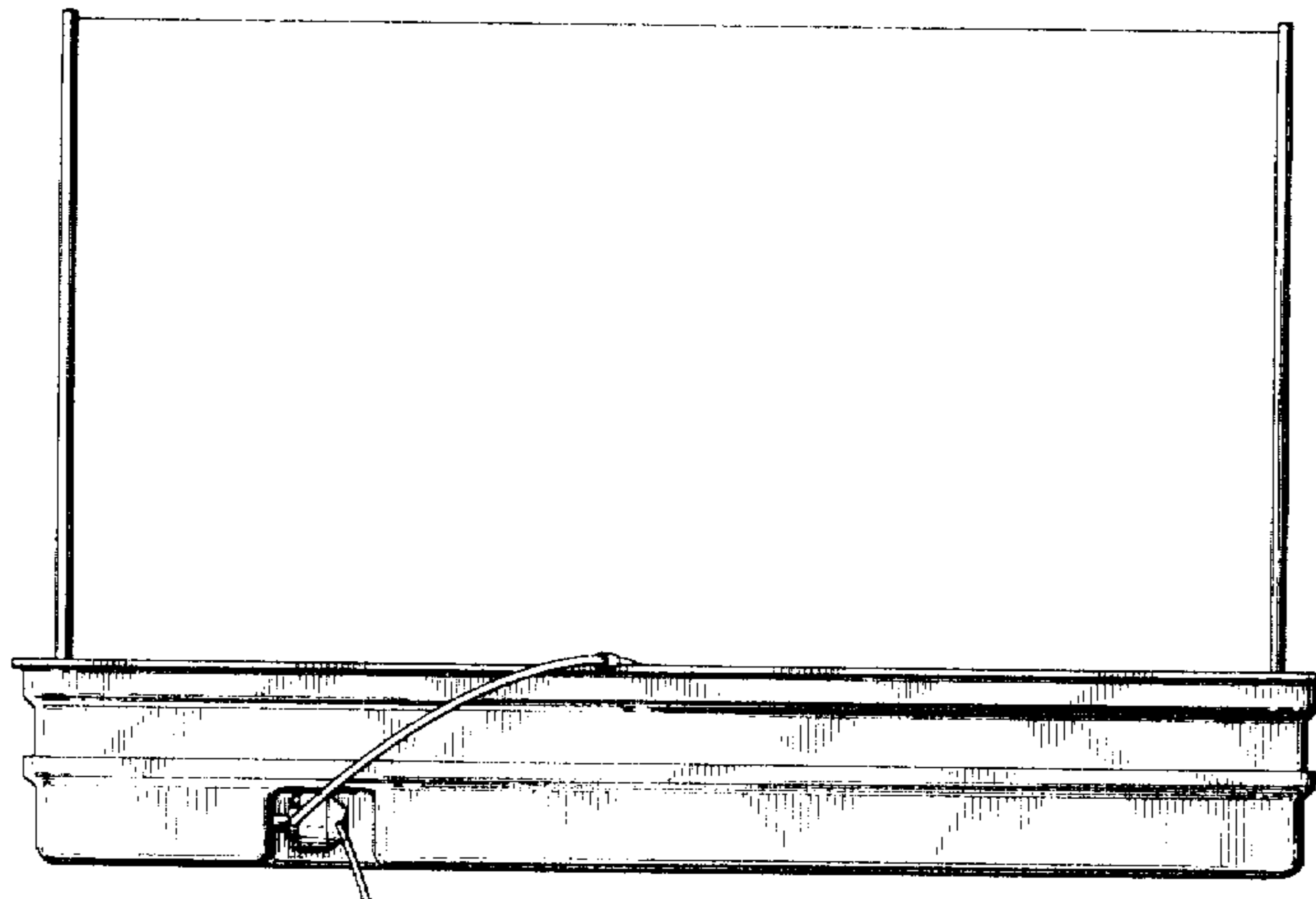


FIG. 1

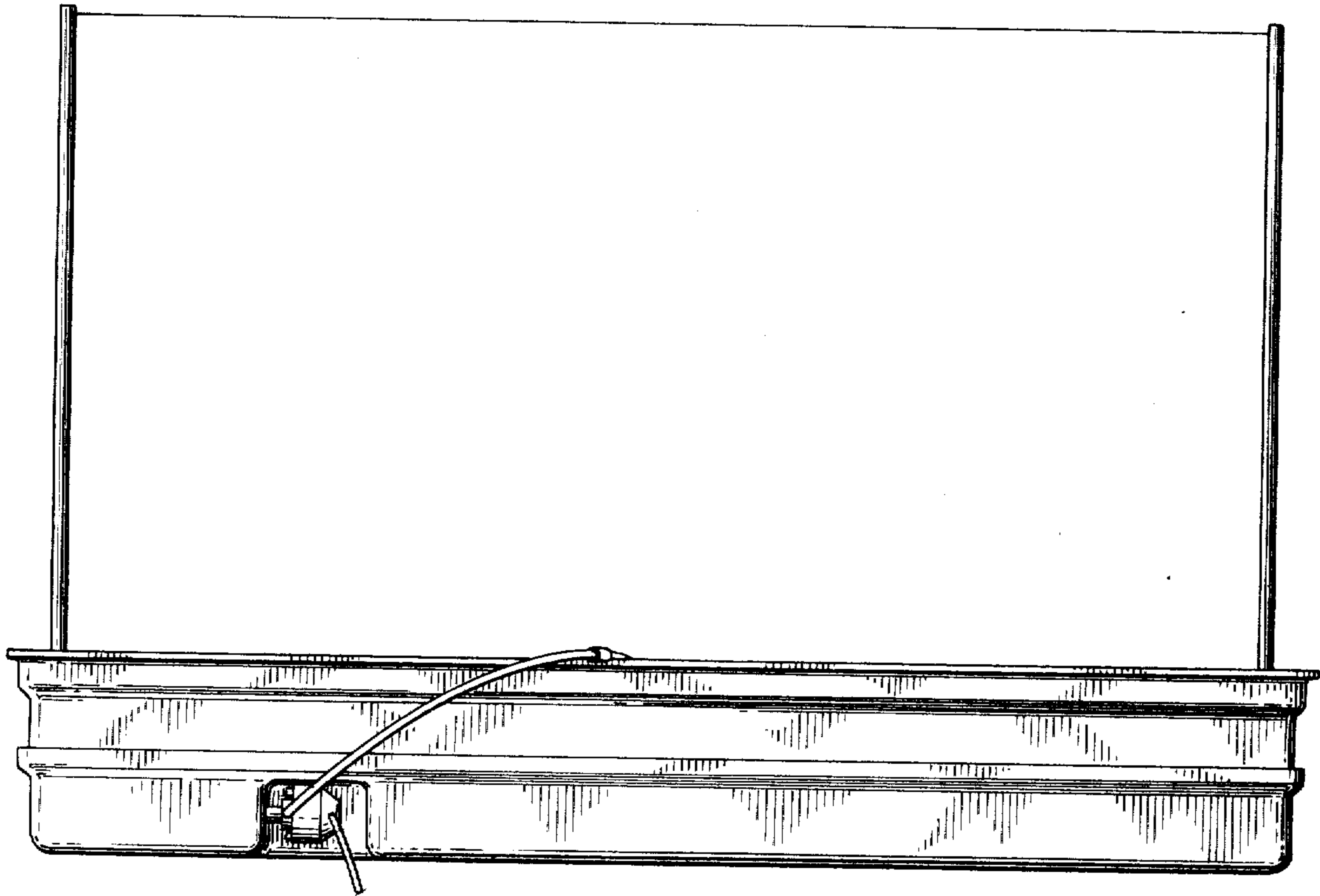


FIG. 2

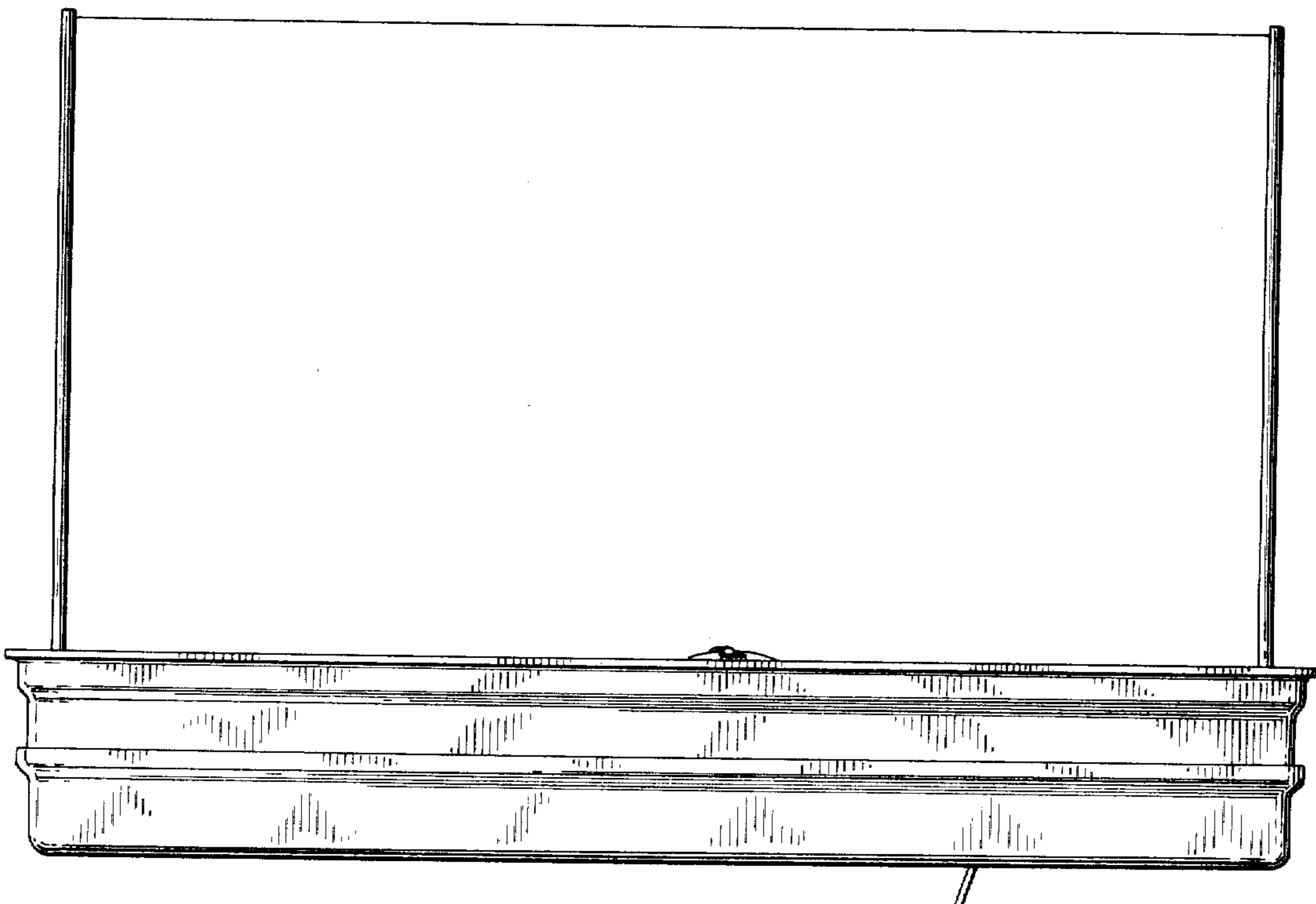


FIG. 3

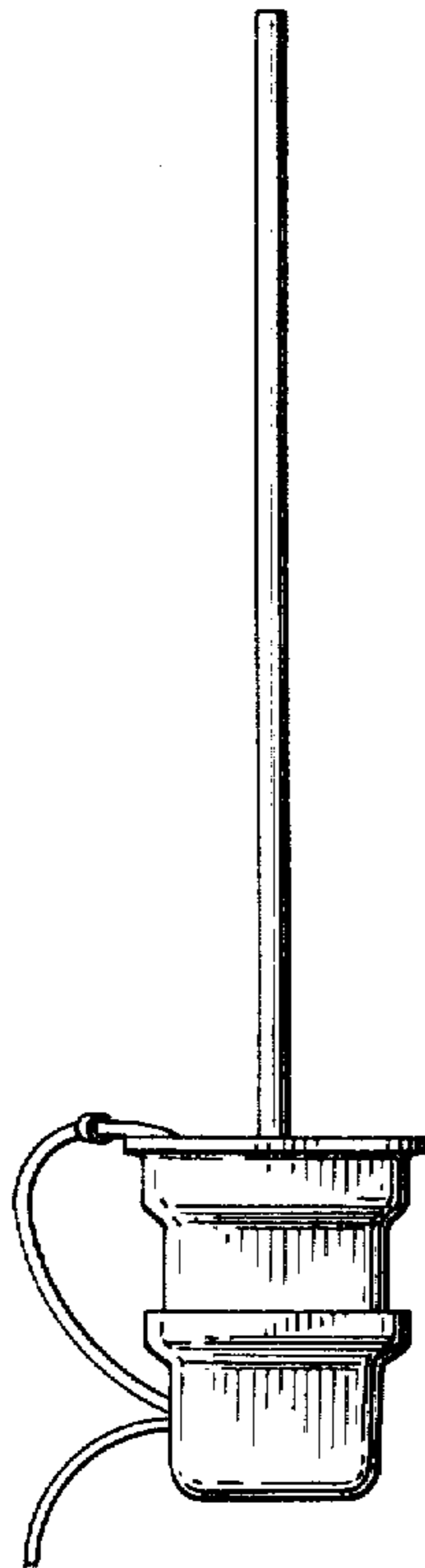


FIG. 4

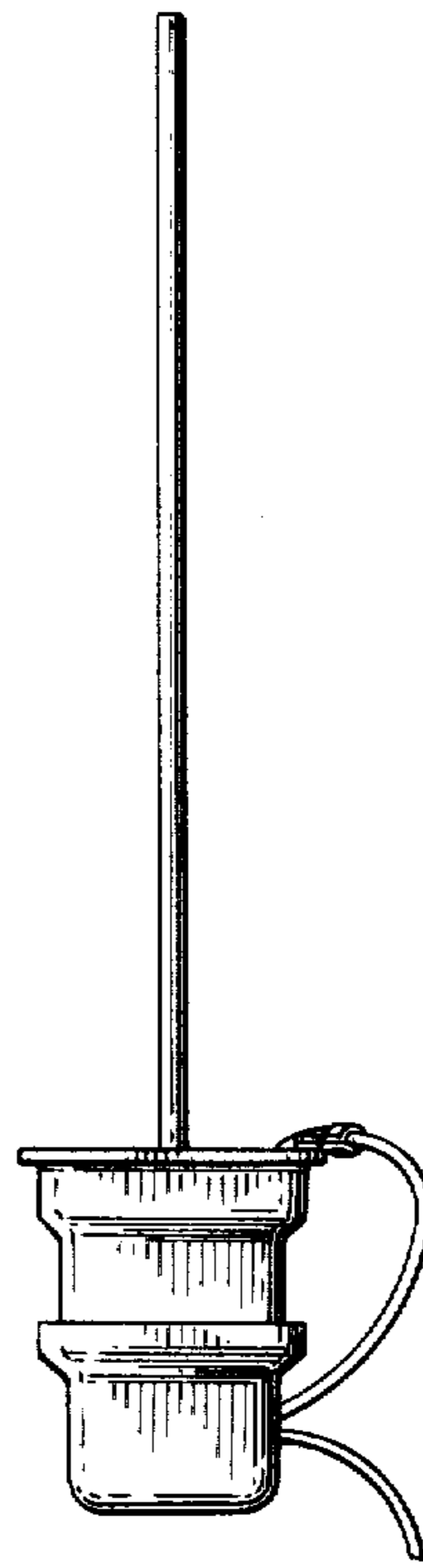


FIG. 5

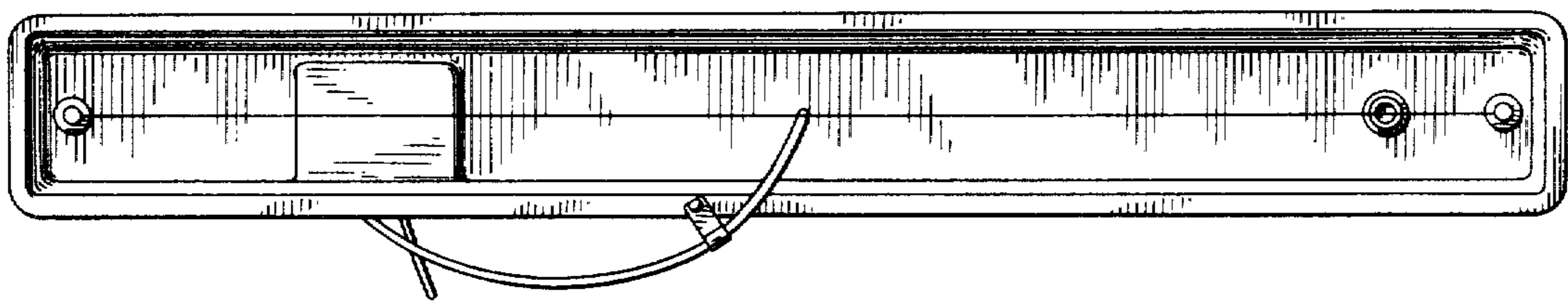
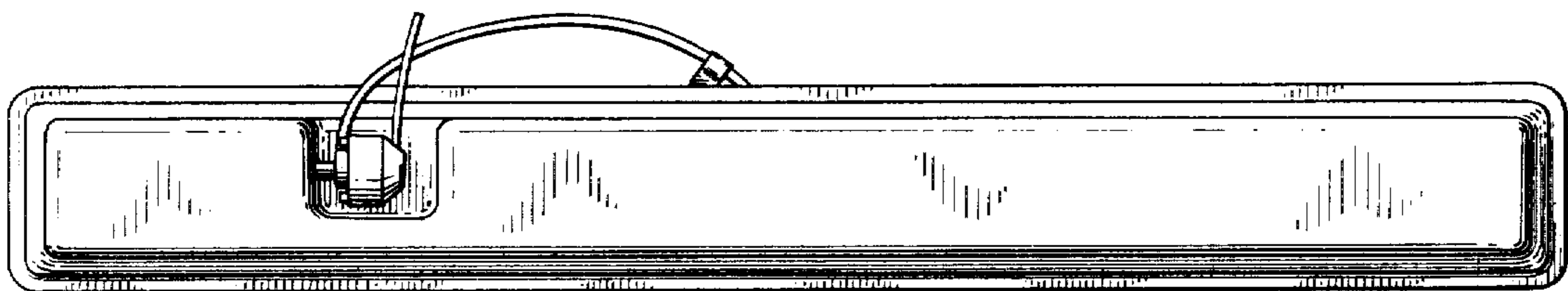


FIG. 6



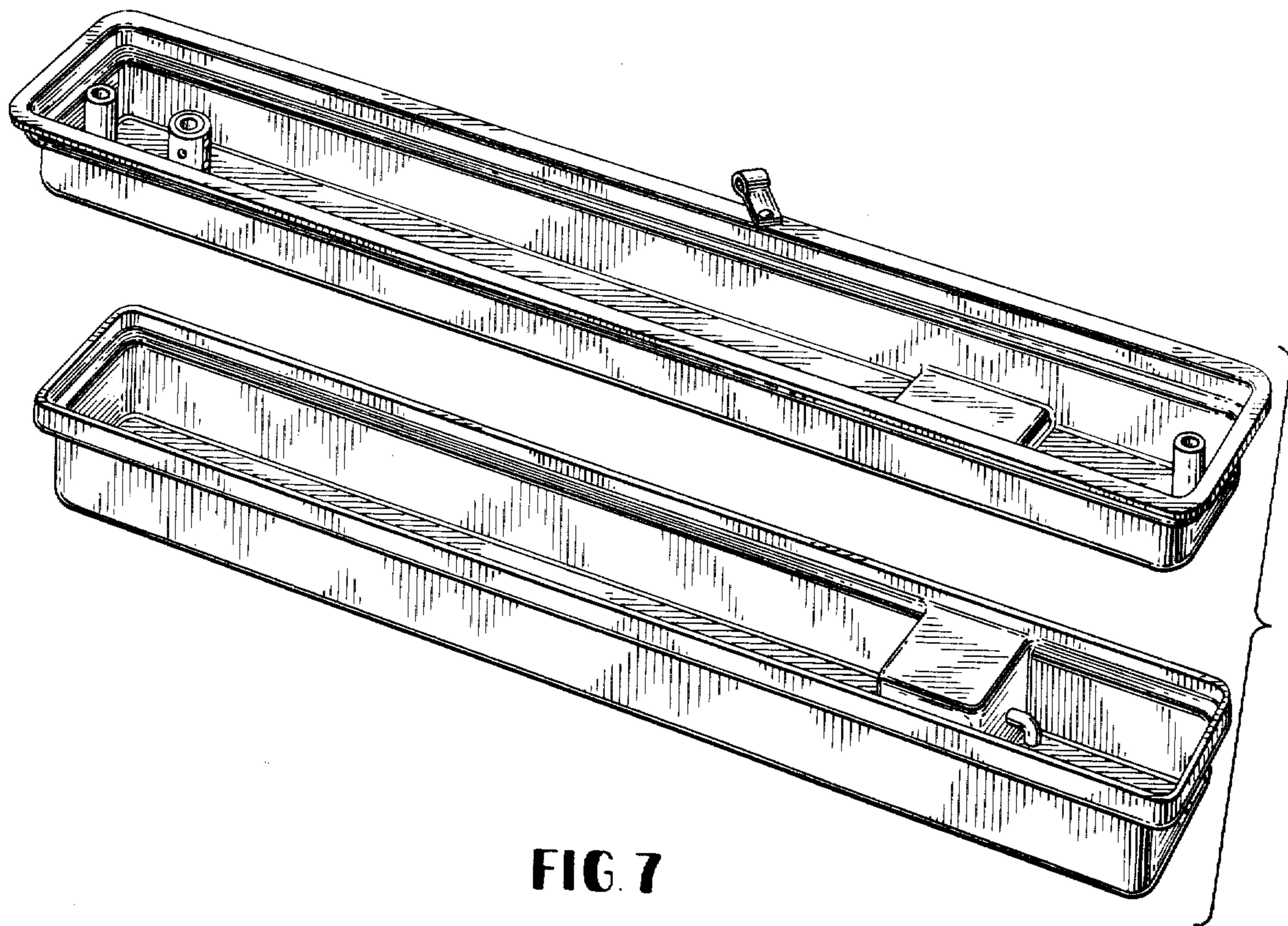


FIG. 7

FIG. 8

