

[54] **OUTWARD VENTED PAINT STIRRER**

[76] Inventor: **John L. Haller**, 7249 Carrizo Dr., La Jolla, Calif. 92037

[**] Term: **14 Years**

[21] Appl. No.: **82,956**

[22] Filed: **Oct. 9, 1979**

[51] Int. Cl. **D7-99; D8-05**

[52] U.S. Cl. **D7/102; D8/16; D8/19**

[58] Field of Search **D8/14, 15, 16, 17, 18, D8/19, 20, 104, 105, 106, 107, 67, 96; D4/38.3, 38; D15/98, 121; D7/102, 181; 15/276 R; 416/70 R; 366/363, 605**

[56] **References Cited**

U.S. PATENT DOCUMENTS

D. 219,672 1/1971 Seapy D7/102

D. 254,418 3/1980 Norenberg D7/102
1,498,509 6/1924 Arnold 366/343 X
1,732,714 10/1929 Copes 366/605 X
2,526,863 10/1950 Gilliam D7/102 X
2,898,094 8/1959 O'Neill, Jr. 366/605 X

Primary Examiner—A. Hugo Word
Attorney, Agent, or Firm—John L. Haller

[57] **CLAIM**

The ornamental design for a outward vented paint stirrer, as shown and described.

DESCRIPTION

FIG. 1 is a perspective view of an outward vented paint stirrer showing my new design.

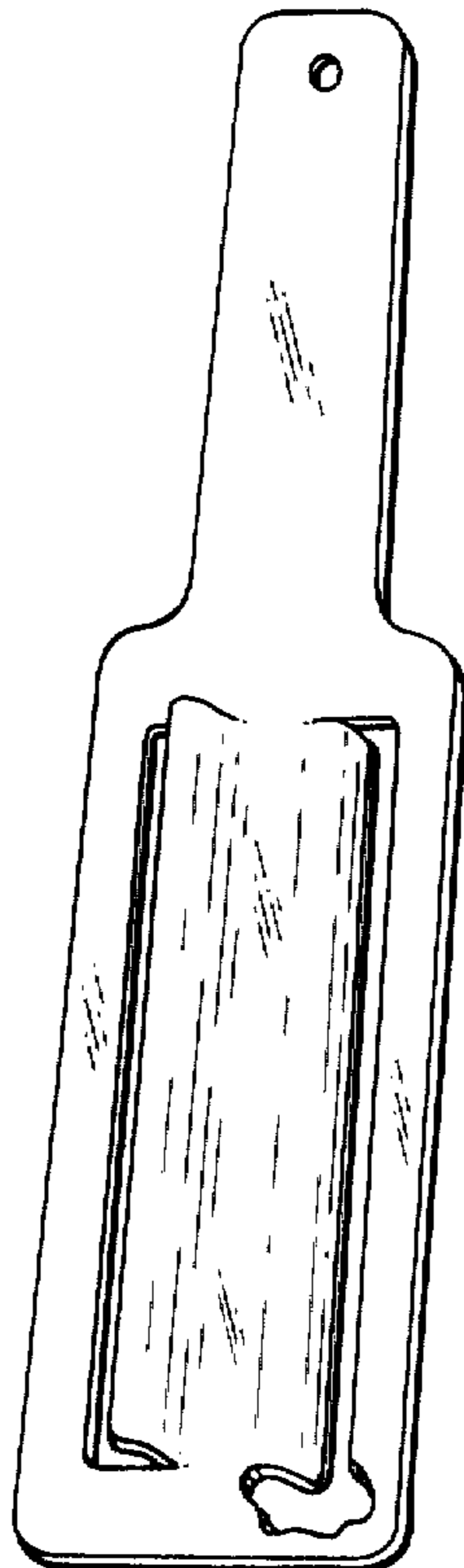
FIG. 2 is a front elevation view thereof.

FIG. 3 is a top plan view thereof.

FIG. 4 is a side elevation view thereof.

FIG. 5 is a sectional view taken at 5,5 of FIG. 6.

FIG. 6 is a perspective view of an outward vented paint stirrer having a smaller vented opening.



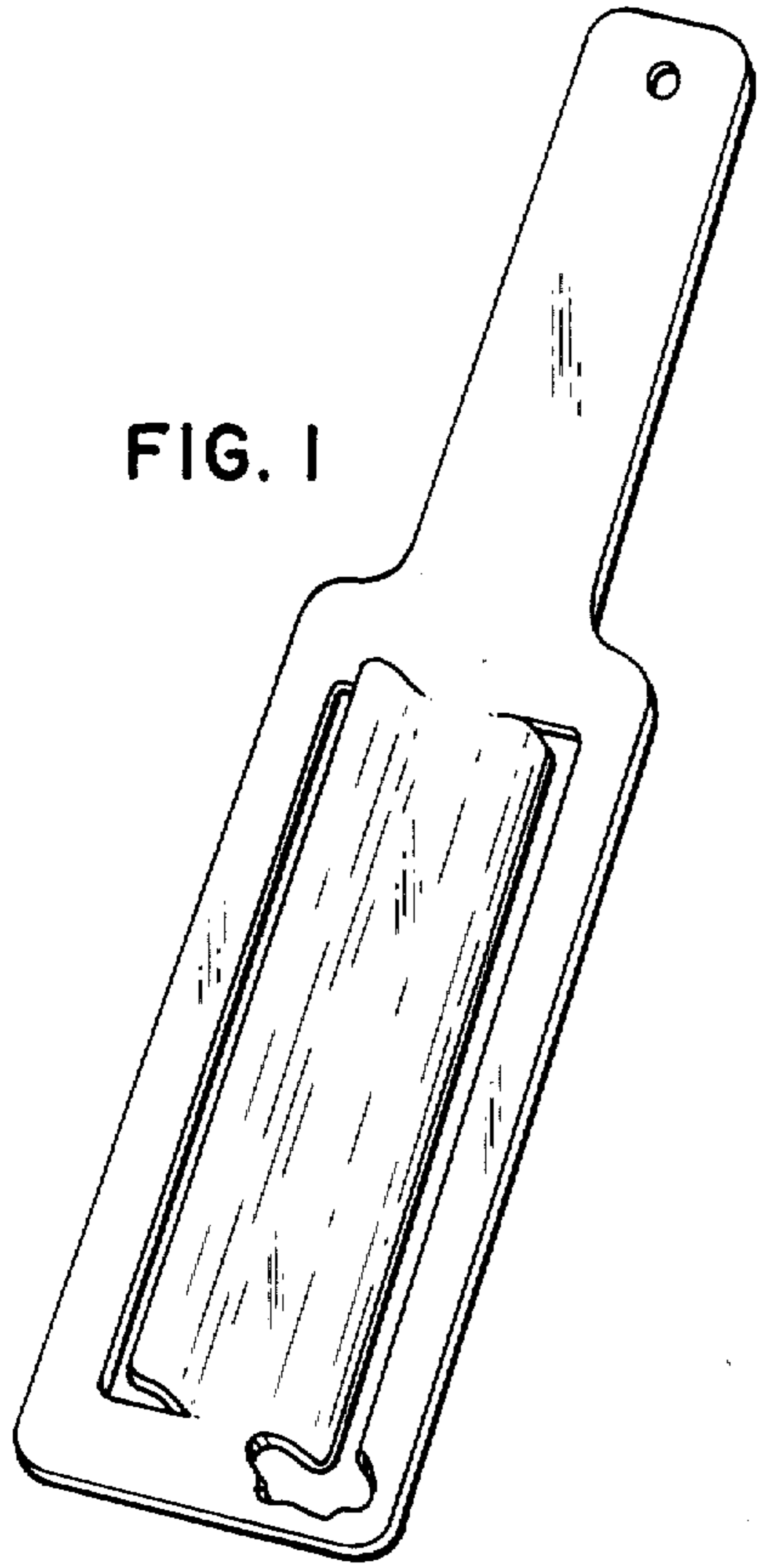


FIG. 1



FIG. 3

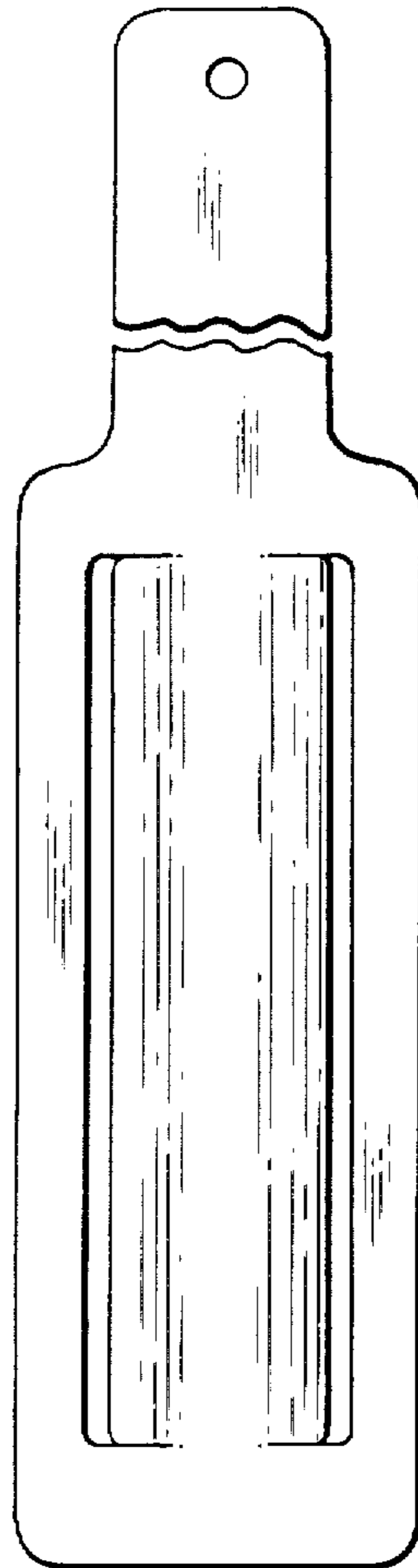


FIG. 2



FIG. 4

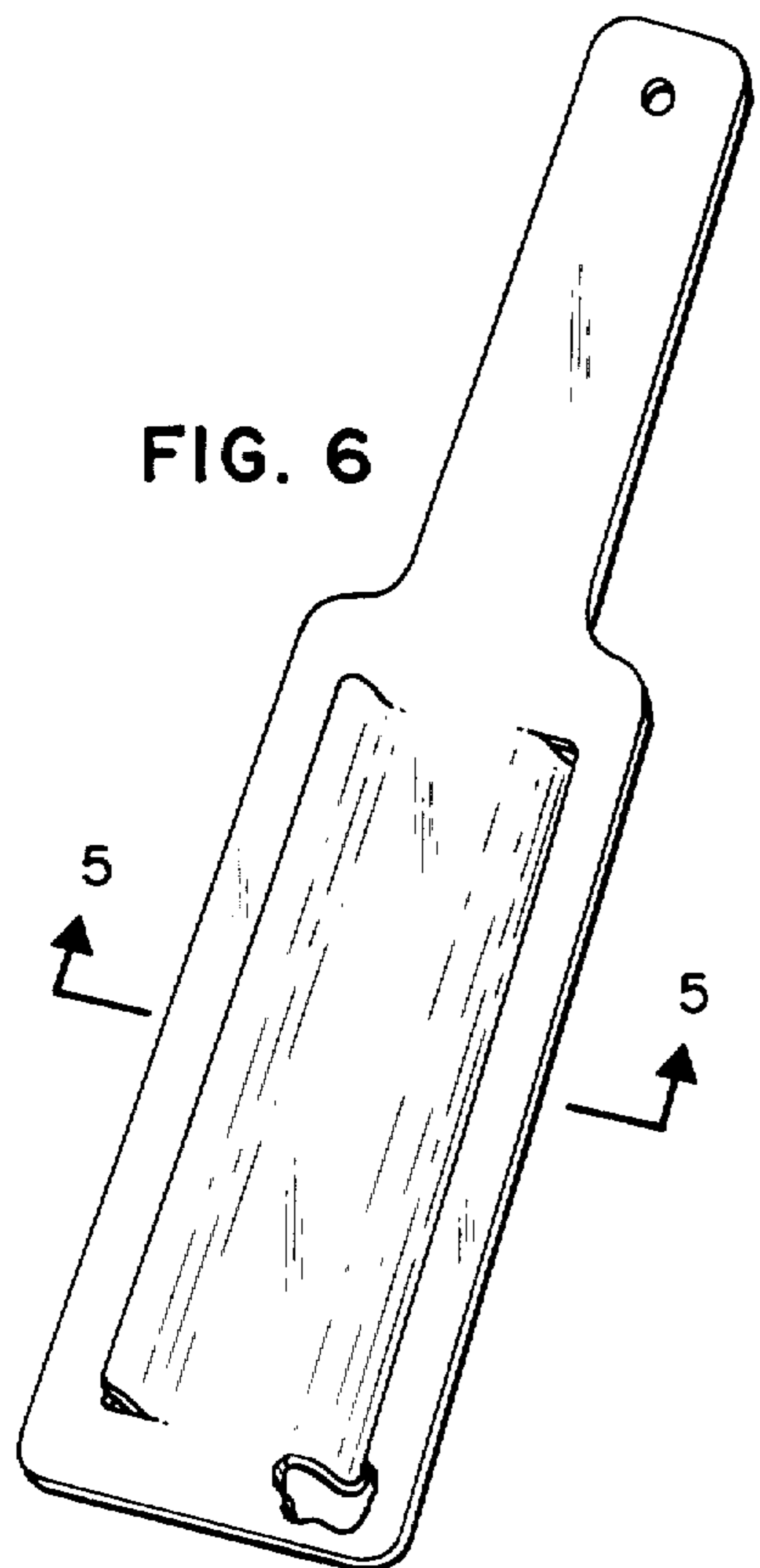


FIG. 6

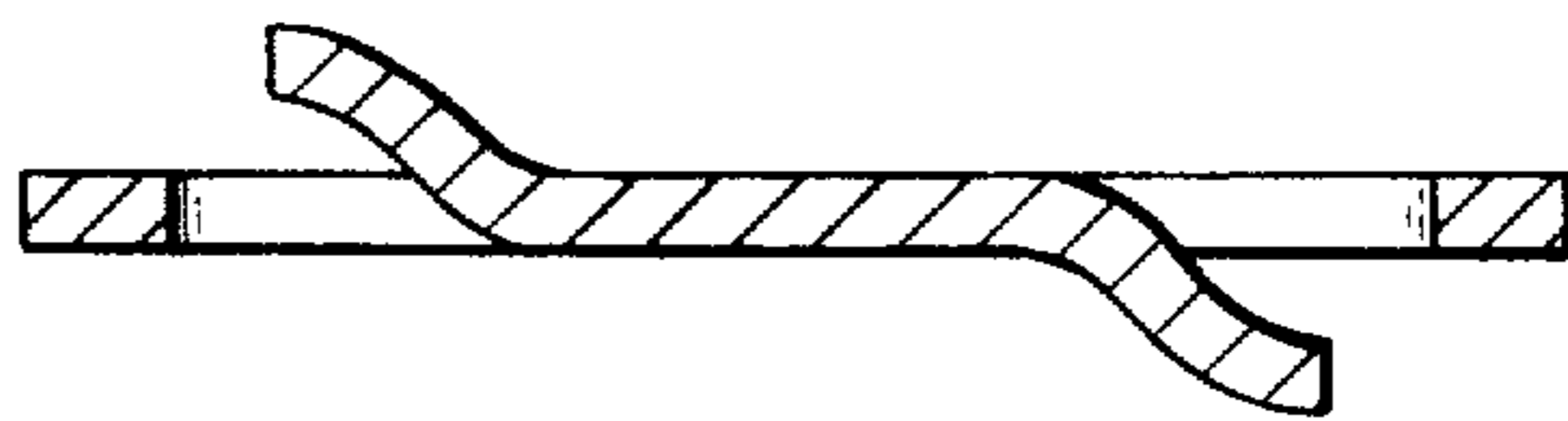


FIG. 5