

[54] **COOKING APPARATUS FOR TOASTED SANDWICHES**

3,719,507 3/1973 Bardeau 99/315

[75] Inventor: **David Thelander**, Lota, Australia

[73] Assignee: **Multimould Enterprises Pty. Ltd.**, Wynnum Central, Australia

[**] Term: **14 Years**

[21] Appl. No.: **942,180**

[22] Filed: **Sep. 14, 1978**

[51] Int. Cl. **D07-02**

[52] U.S. Cl. **D7/88; D7/96**

[58] Field of Search **D7/85, 87, 88, 89, 91, D7/92, 94, 96; 99/374, 375, 380**

[56] **References Cited**

U.S. PATENT DOCUMENTS

D. 175,547	9/1955	Josephson	D7/88
D. 190,008	3/1961	Rioux	D7/92 X
D. 235,610	7/1975	Giguere et al.	D7/87 X
1,663,719	3/1928	Morley	D7/88 X
1,859,004	5/1932	Reich	D7/87 X
3,493,726	2/1970	Bardeau	D7/85 X
3,669,006	6/1972	Lee, Sr.	99/376 X

OTHER PUBLICATIONS

Good Housekeeping, Jan. 1978, p. 116, Donut Mak. top center of page, Item #C Eleter.

Primary Examiner—Winifred E. Herrmann
Attorney, Agent, or Firm—Schwartz, Jeffery, Schwartz, Mack, Blumenthal & Koch

[57] **CLAIM**

The ornamental design for a cooking apparatus for toasted sandwiches, as shown and described.

DESCRIPTION

FIG. 1 is a top front perspective view of a cooking apparatus for toasted sandwiches showing the left side of my new design;

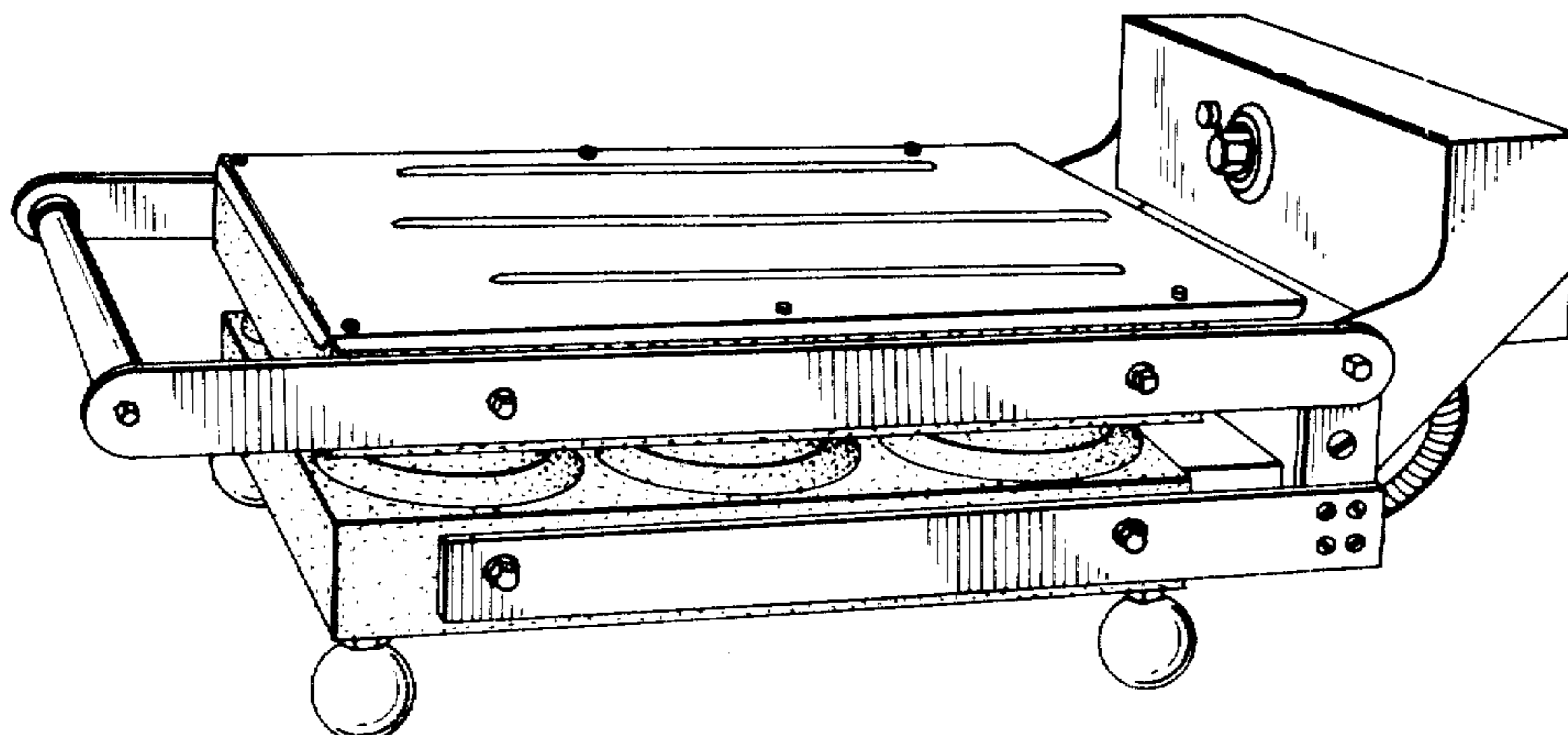
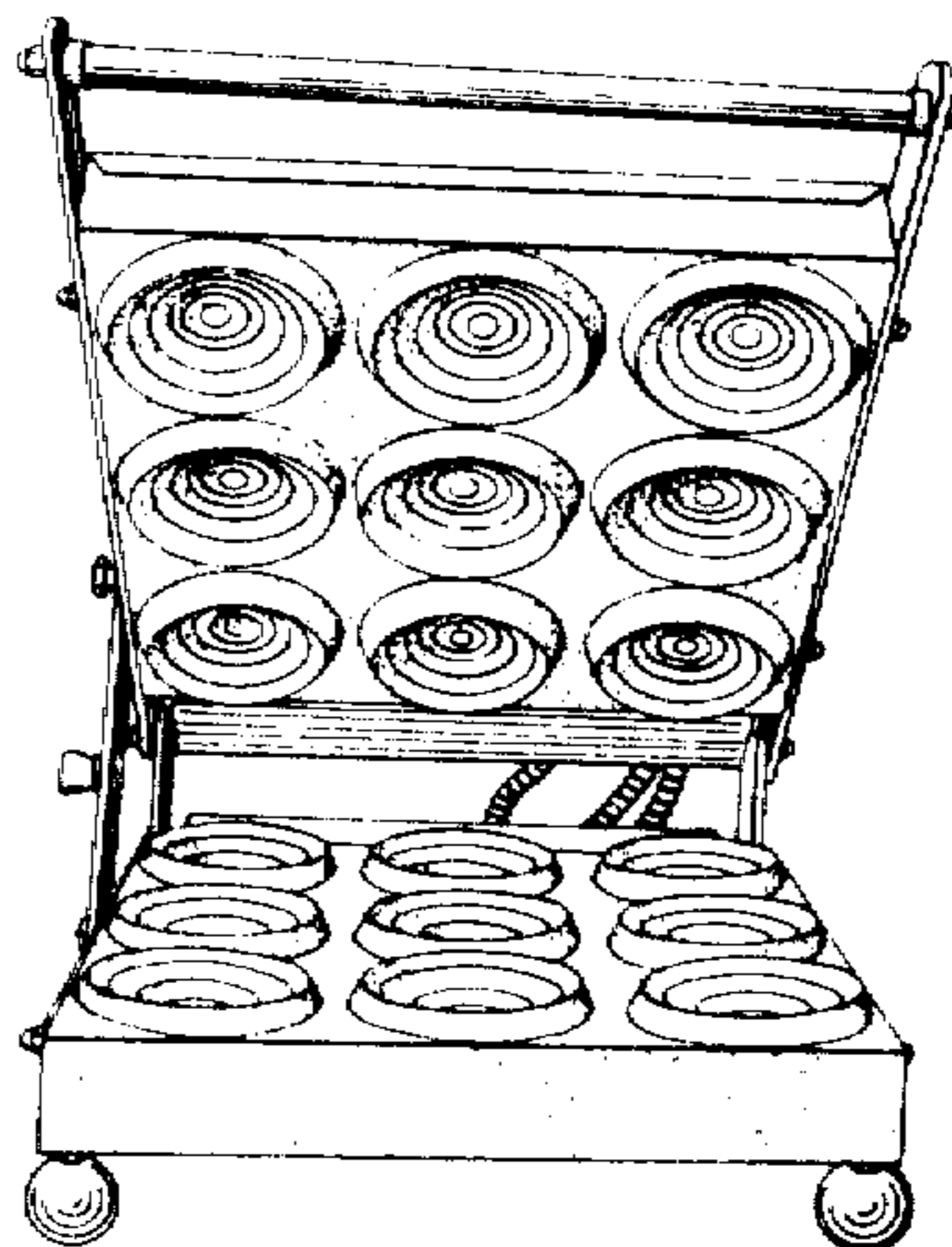
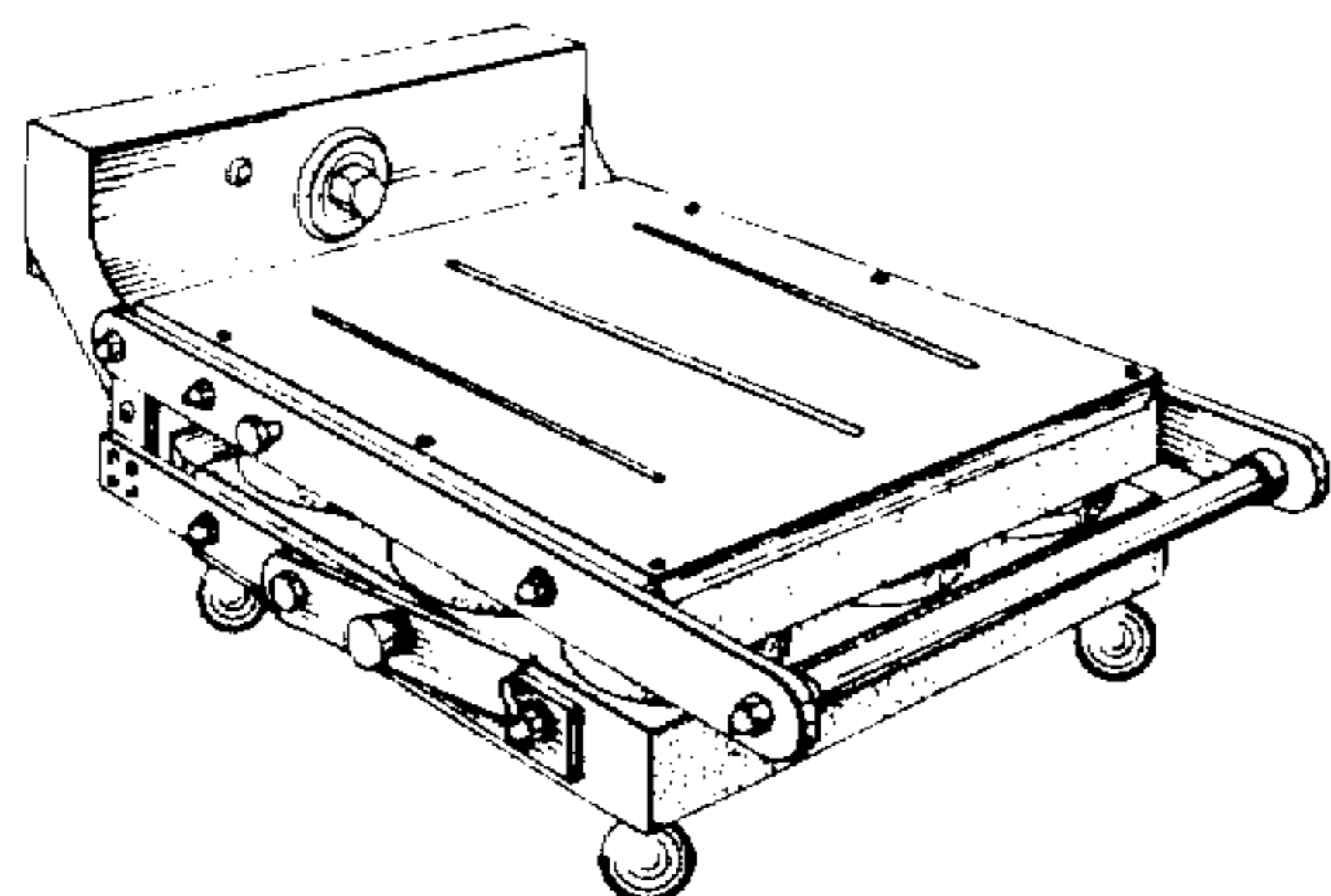
FIG. 2 is a front perspective view thereof, the upper platen being in an open condition;

FIG. 3 is a right side perspective view thereof on an enlarged scale;

FIG. 4 is a left side elevational view thereof on an enlarged scale;

FIG. 5 is a bottom plan view thereof on an enlarged scale; and

FIG. 6 is a rear elevational view thereof.



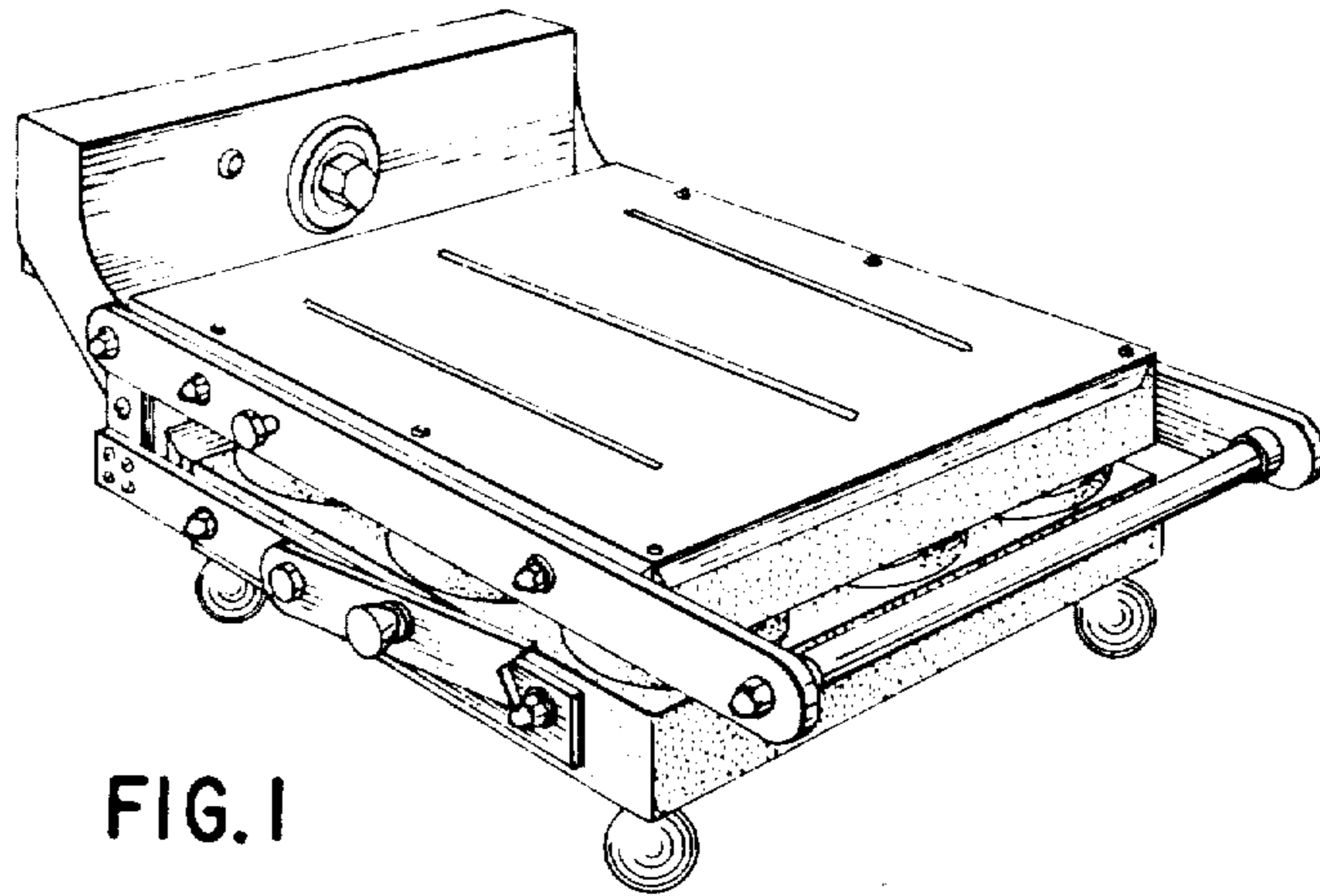


FIG. 1

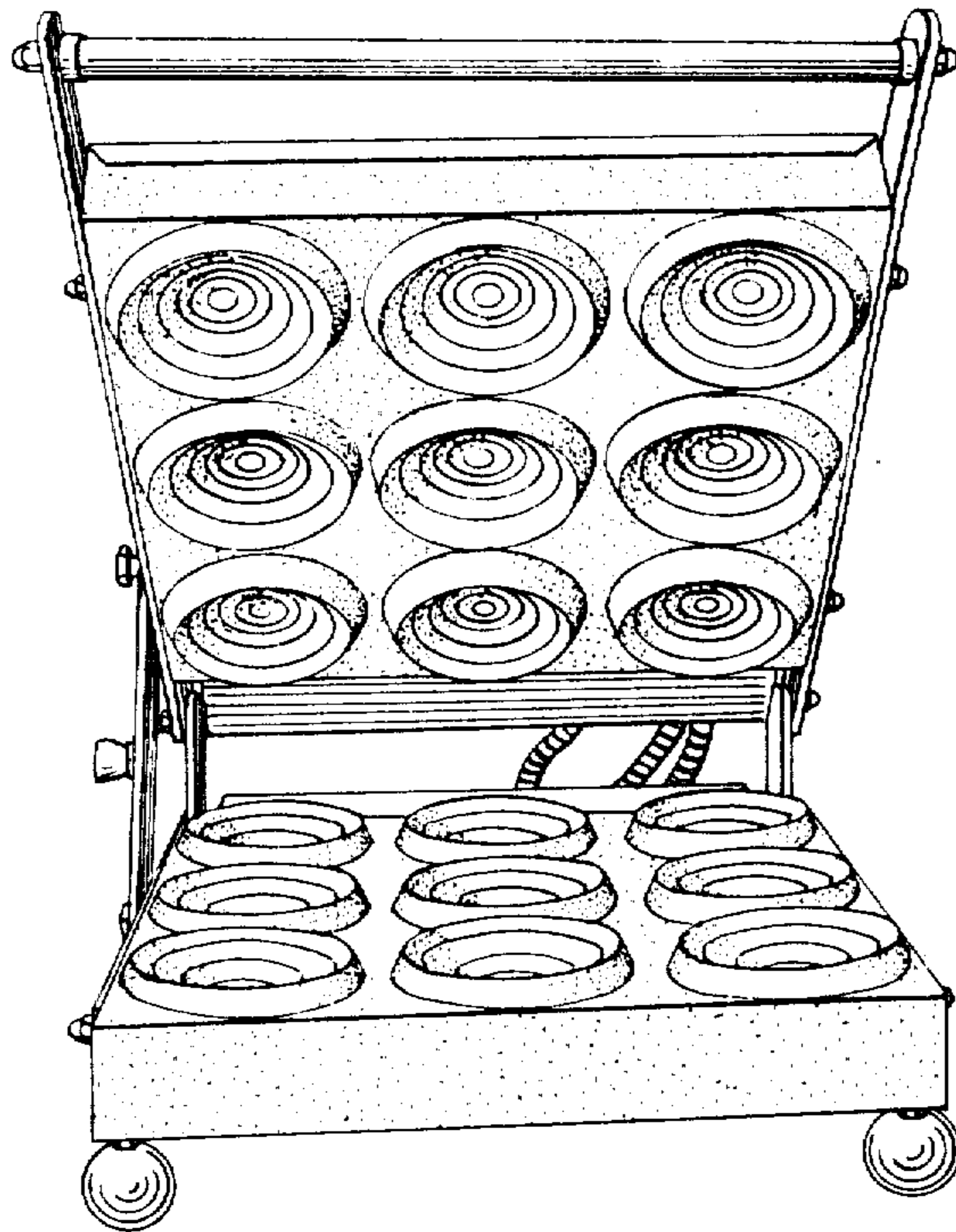


FIG. 2

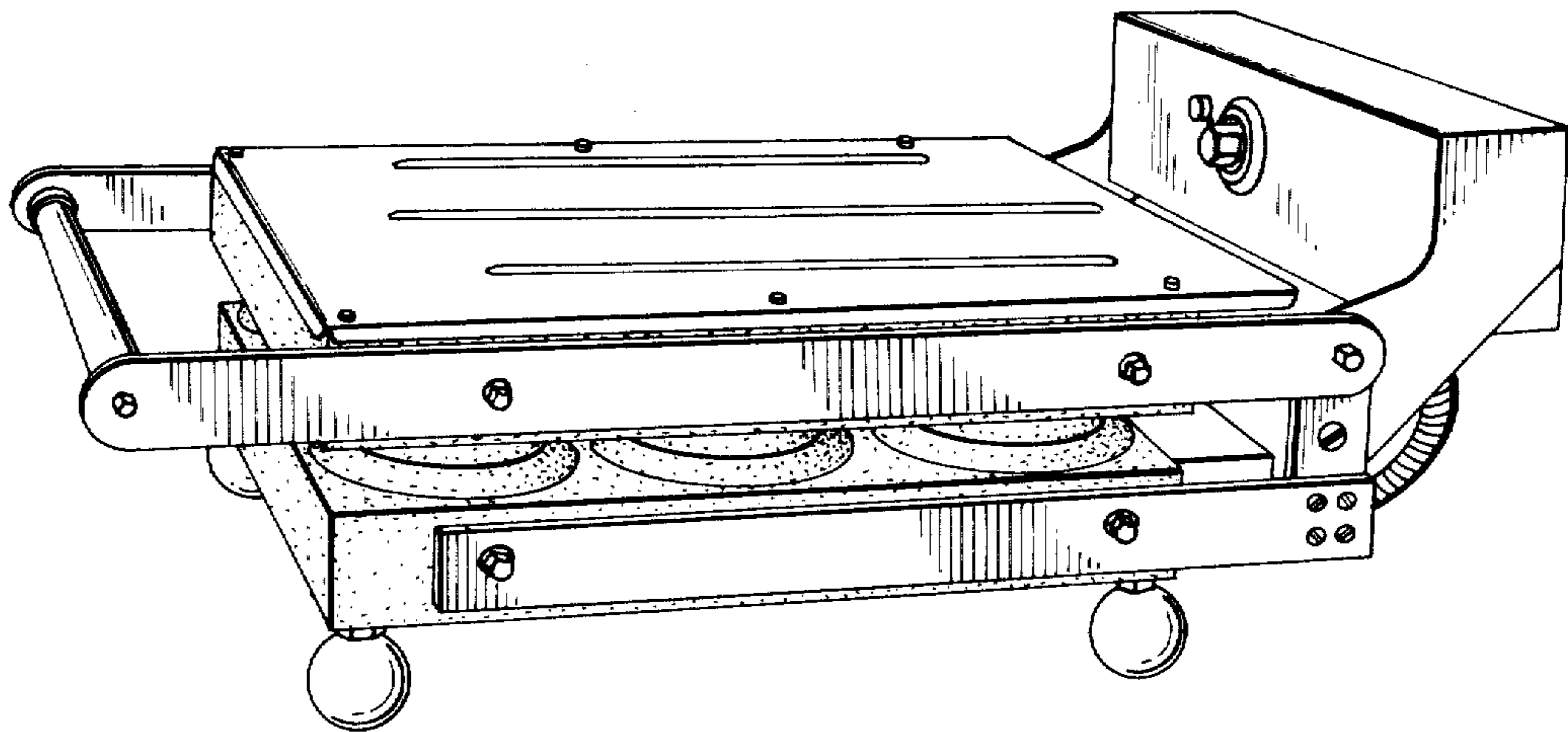


FIG.3

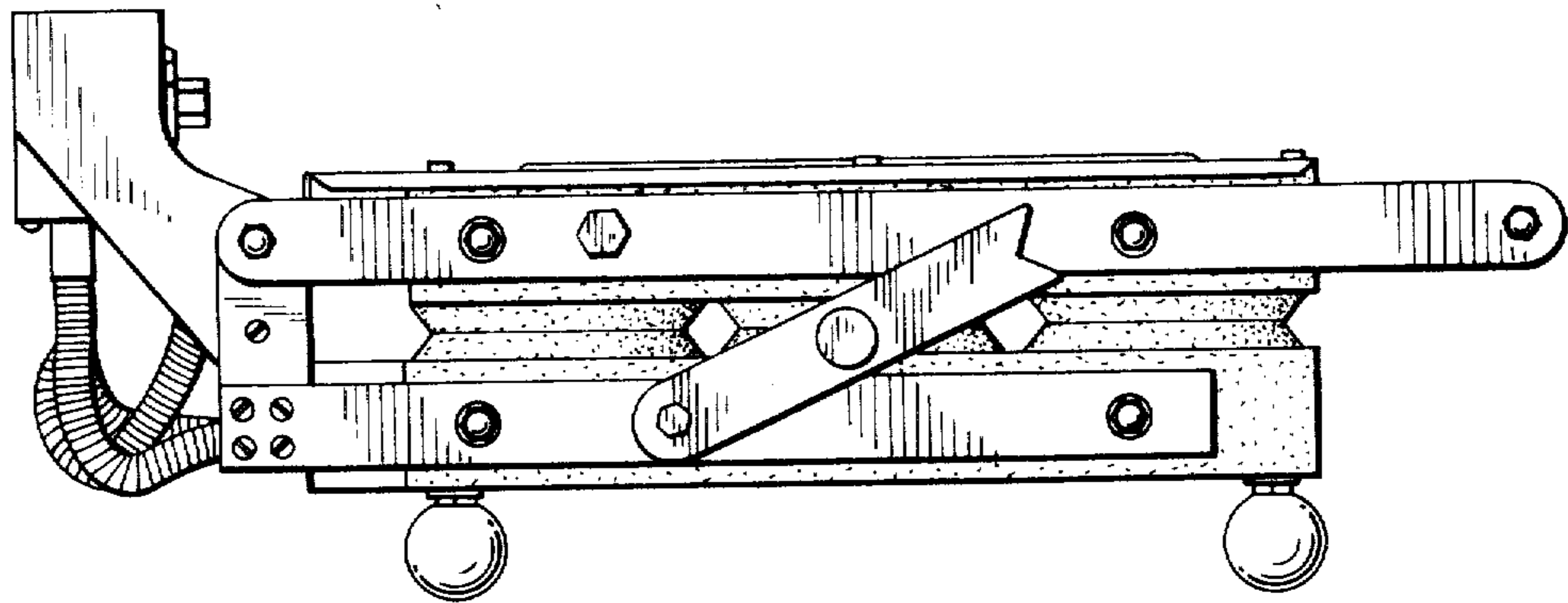


FIG.4

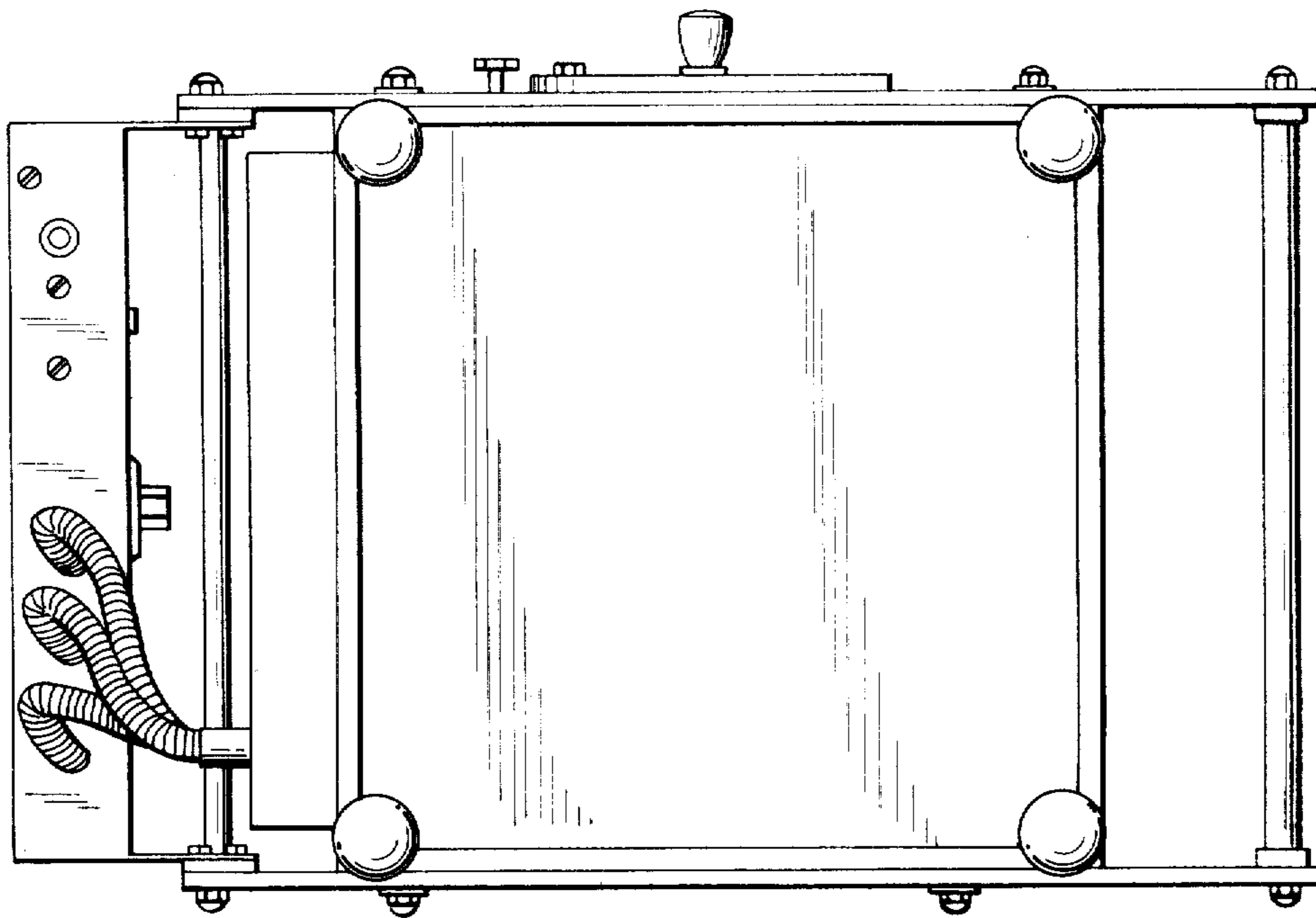


FIG.5

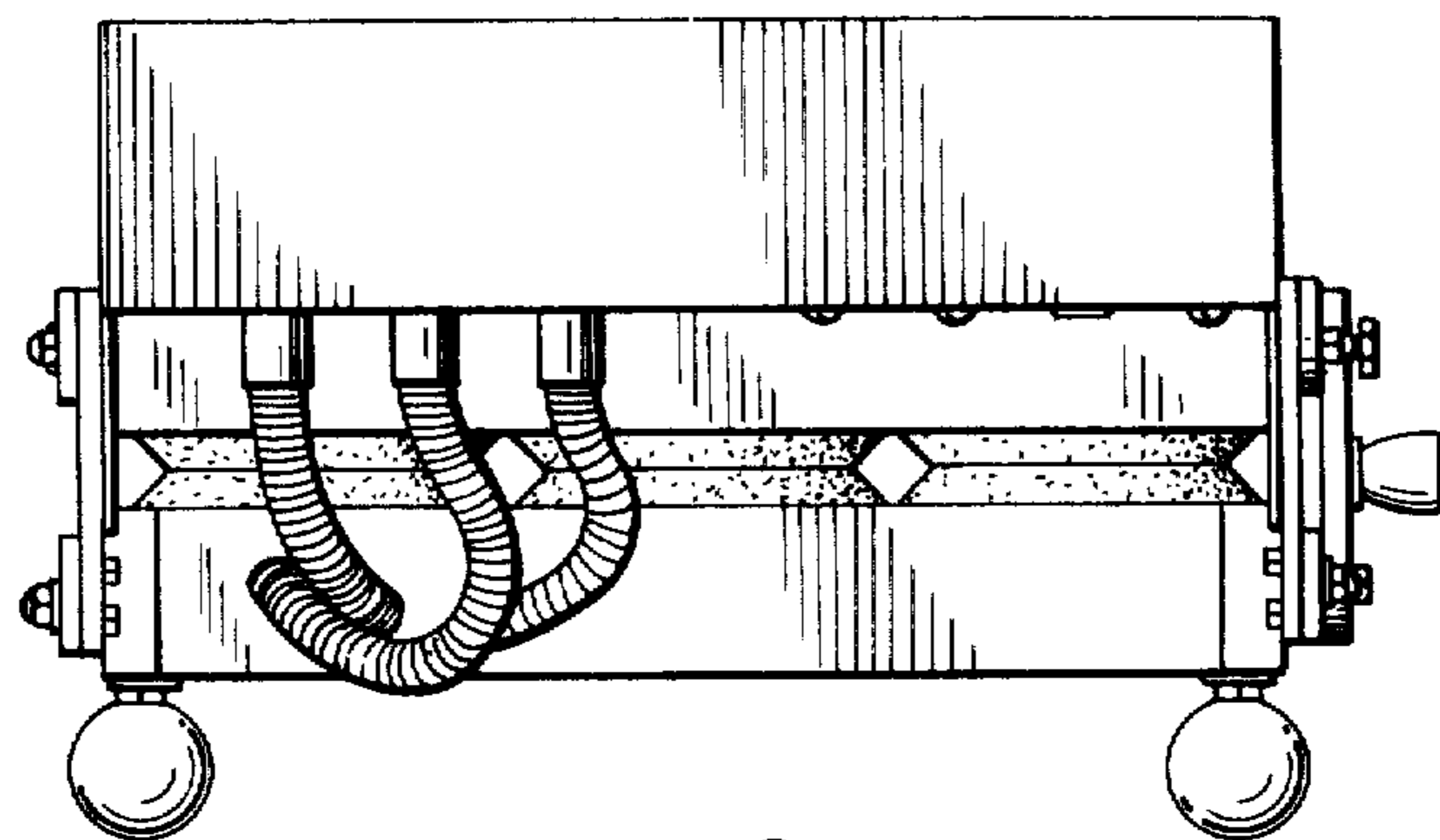


FIG.6