

[54] BARBECUE TABLE

[76] Inventors: Neil K. Boston, 17815 Ludlow St., Granada Hills, Calif. 91344; Herbert P. Kadell, 18300 Napa St., Apt. E, Northridge, Calif. 91325

[**] Term: 14 Years

[21] Appl. No.: 133,881

[22] Filed: Mar. 25, 1980

[51] Int. Cl. D7-02

[52] U.S. Cl. D7/107

[58] Field of Search D7/107, 110; D6/146-148, 151, 154, 167, 177, 179, 181; 126/25 R, 25 A, 25 AA, 25 B, 25 C, 9 R, 9 A, 9 B, 29, 30

[56] References Cited

U.S. PATENT DOCUMENTS

- D. 183,890 11/1958 Kulikowski D7/107
- D. 258,107 2/1981 Stevenson D7/107
- 3,491,744 1/1970 Von Kohorn et al. 126/25 R

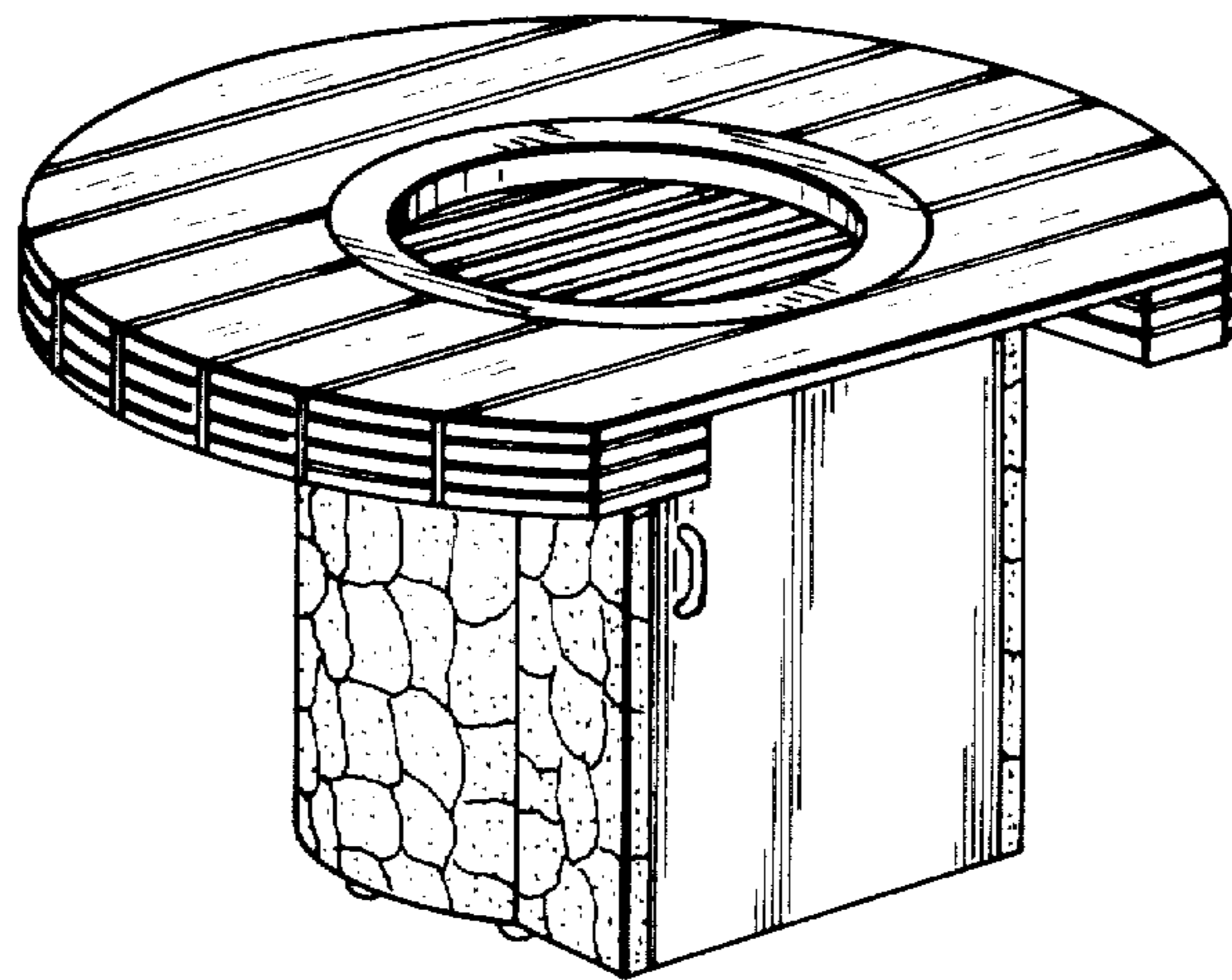
Primary Examiner—Catherine E. Kemper
Attorney, Agent, or Firm—Ralph B. Pastoriza

[57] CLAIM

The ornamental design for a barbecue table, substantially as shown.

DESCRIPTION

FIG. 1 is a perspective view of a barbecue table showing our new design;
FIG. 2 is a side elevational view thereof;
FIG. 3 is a top plan view thereof;
FIG. 4 is a bottom plan view thereof; and,
FIG. 5 is a rear elevational view thereof.



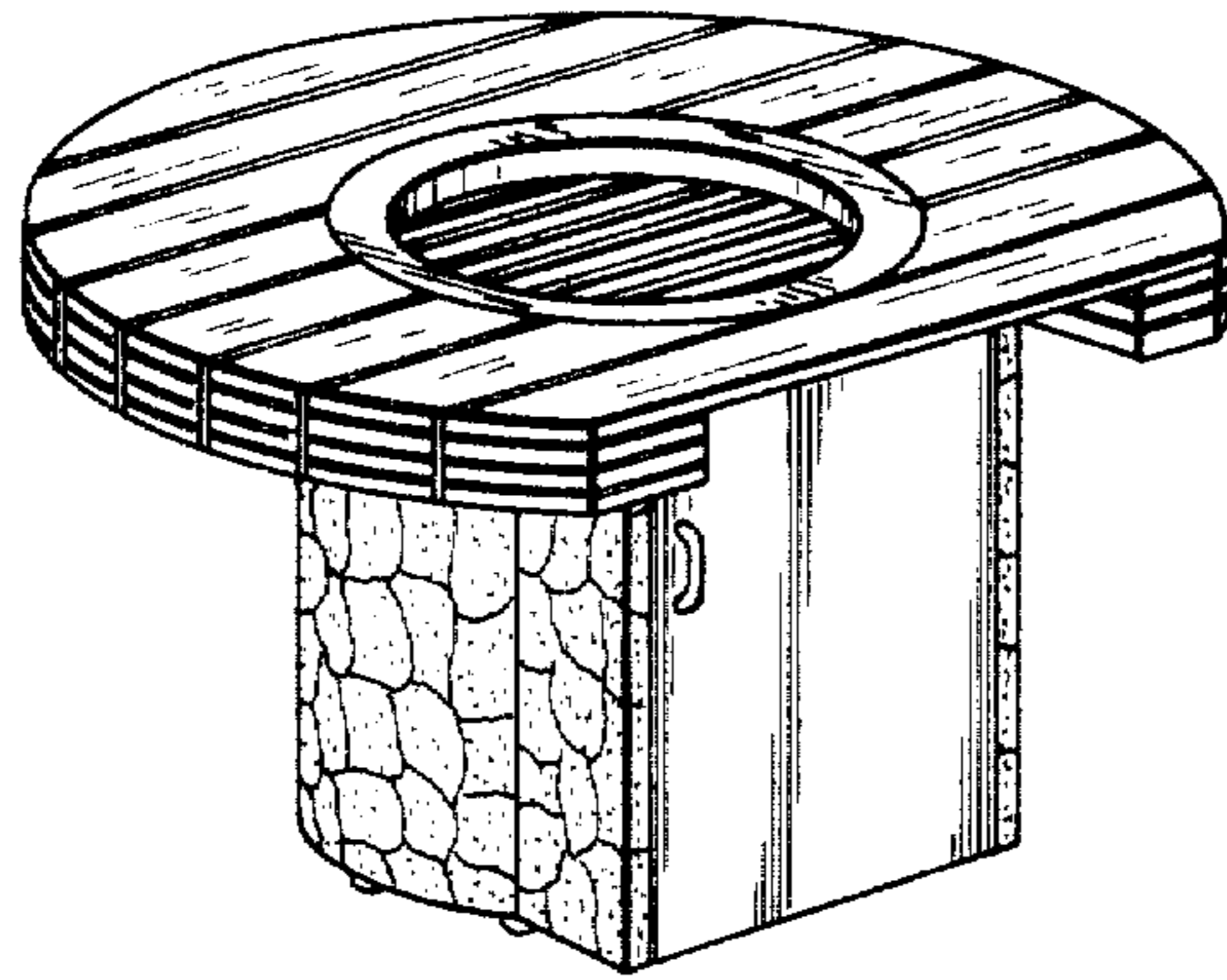


FIG. 1

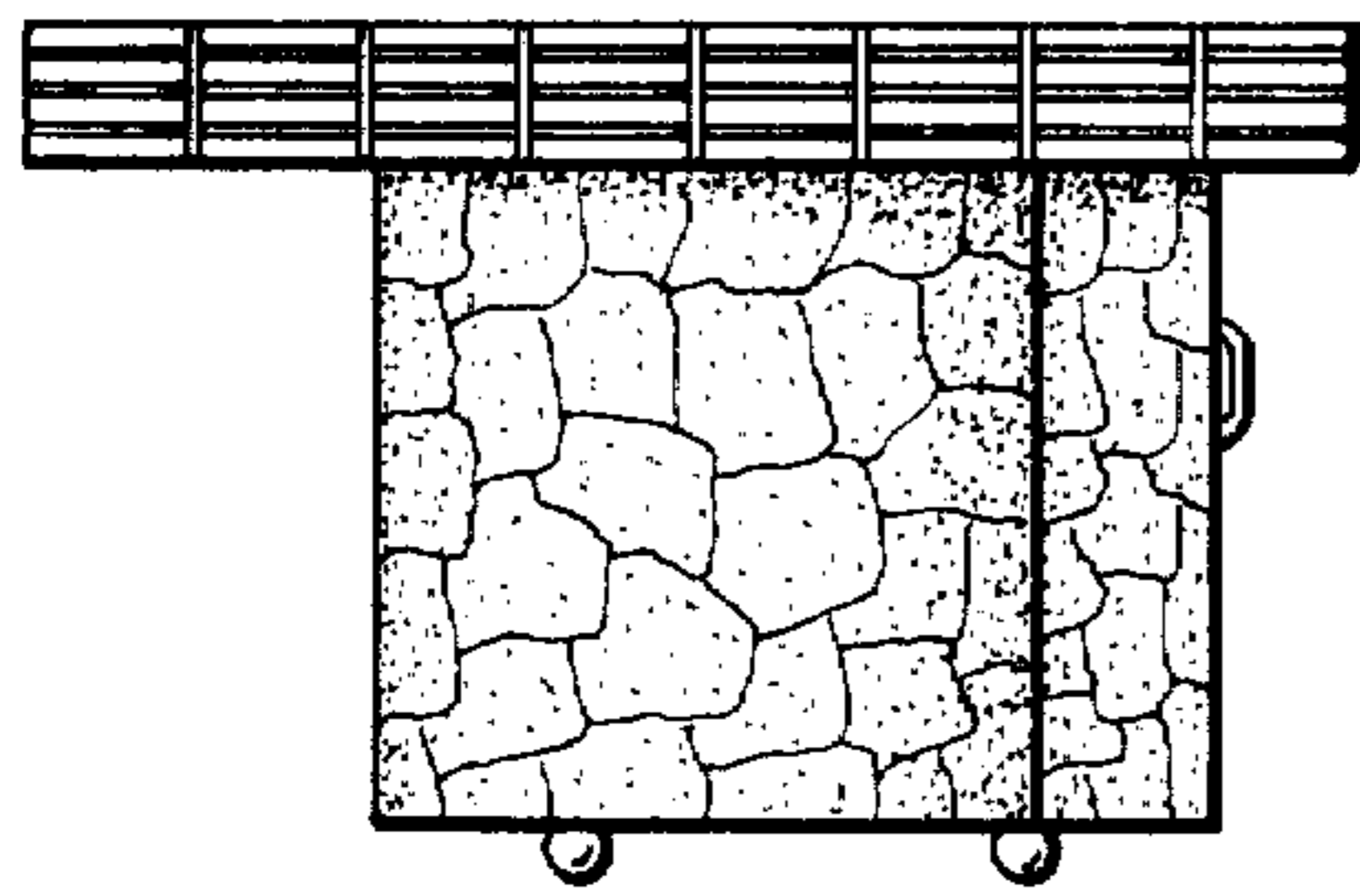


FIG. 2

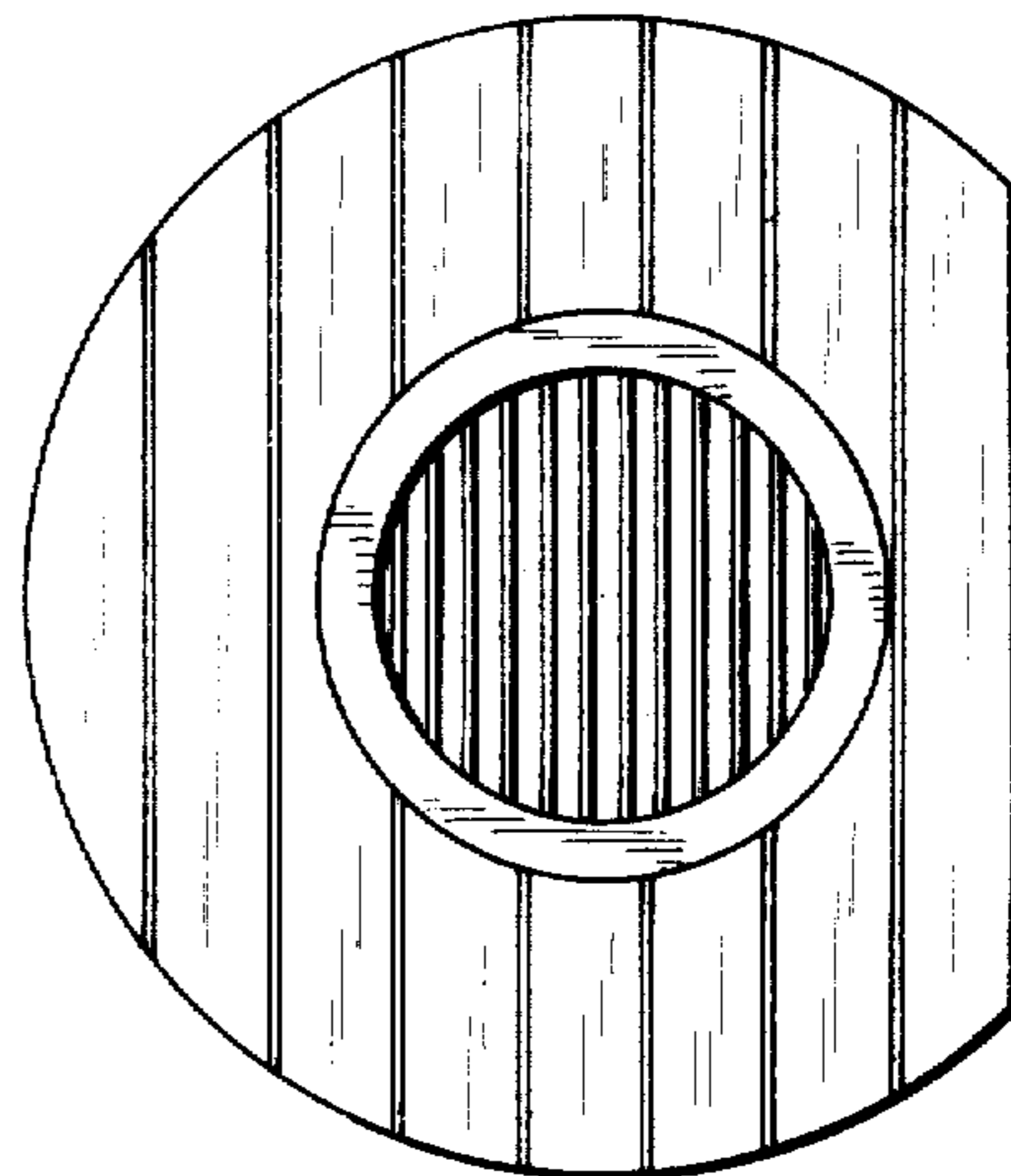


FIG. 3

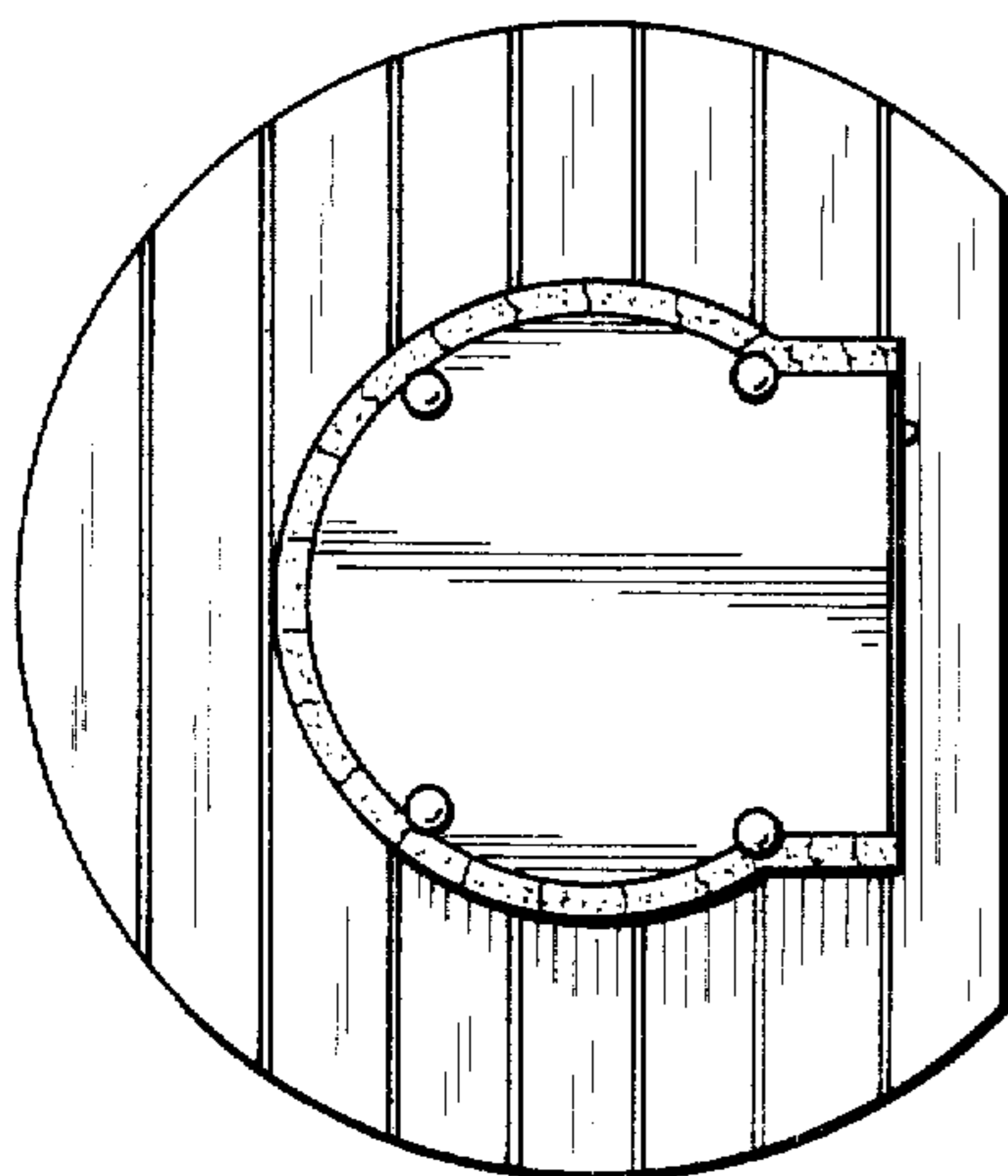


FIG. 4

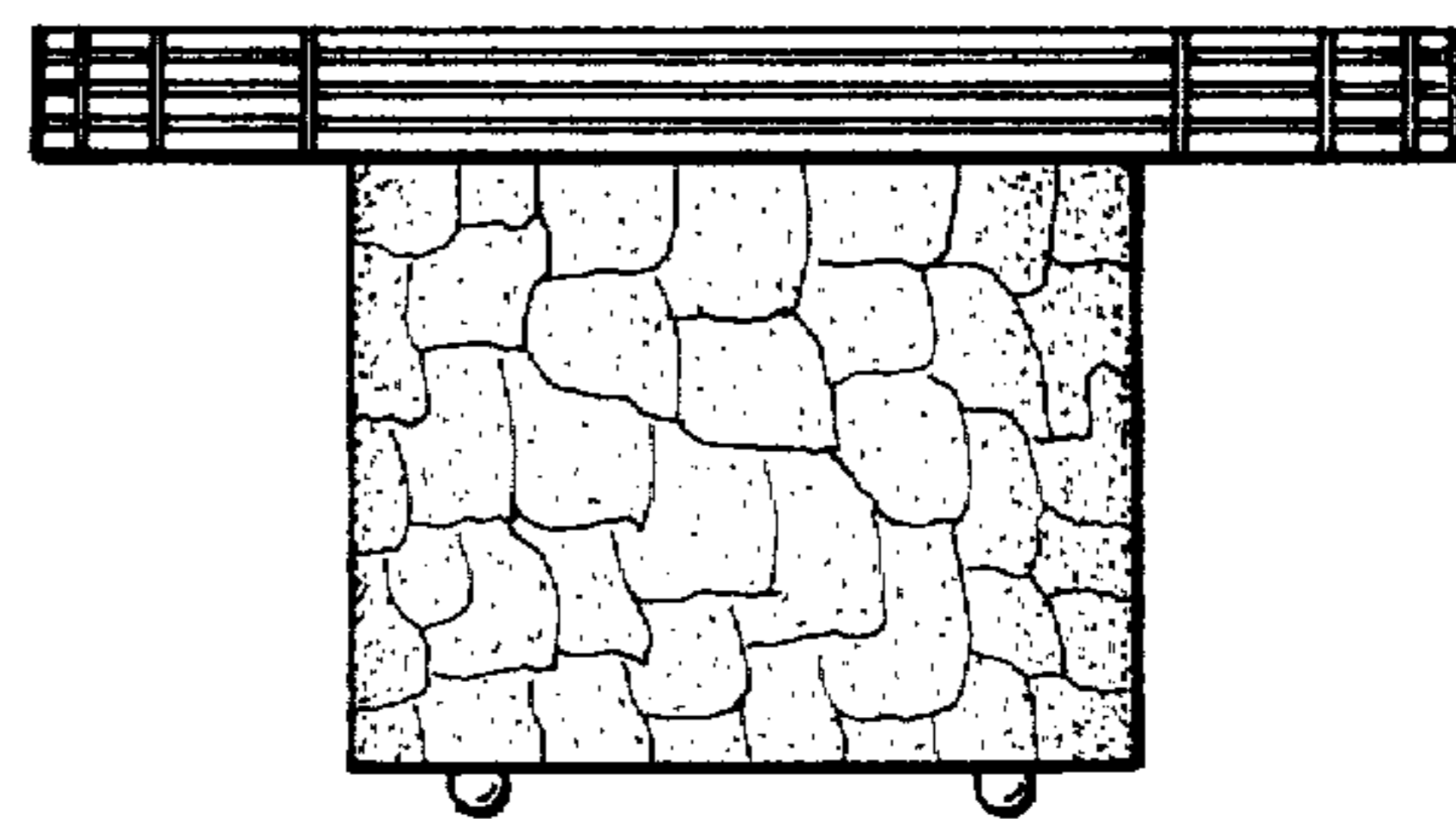


FIG. 5