

- [54] **HOT AIR CORN POPPER**
- [75] Inventors: **Bernard B. Bluestein, Des Plaines;**  
**Steven R. Groner, Naperville, both of**  
**Ill.**
- [73] Assignee: **Sunbeam Corporation, Chicago, Ill.**
- [\*\*] Term: **14 Years**
- [21] Appl. No: **111,416**
- [22] Filed: **Jan. 11, 1980**
- [51] Int. Cl. .... **D7—02; D15—08**
- [52] U.S. Cl. .... **D7/94; D15/105**
- [58] Field of Search ..... **D15/105; D7/48, 49,**  
**D7/59, 60, 62, 94, 153, 155, 156; 99/323.5,**  
**323.6, 323.7, 323.8, 323.9, 323.11**

|            |         |                  |             |
|------------|---------|------------------|-------------|
| D. 259,385 | 6/1981  | Levin .....      | D7/94       |
| 3,665,839  | 5/1972  | Gottlieb .....   | 99/323.5    |
| 3,756,139  | 9/1973  | Wolens .....     | 99/323.5    |
| 4,072,091  | 2/1978  | Richardson ..... | 99/323.11 X |
| 4,120,236  | 10/1978 | Blomberg .....   | 99/323.11 X |
| 4,152,974  | 5/1979  | Tienor .....     | 99/323.8    |

*Primary Examiner*—James R. Largen  
*Attorney, Agent, or Firm*—George R. Clark; Neil M. Rose; Clifford A. Dean

[57] **CLAIM**

The ornamental design for a hot air corn popper, as shown and described.

**DESCRIPTION**

FIG. 1 is a perspective view of a hot air corn popper showing our new design;  
 FIG. 2 is a top plan view thereof;  
 FIG. 3 is a front elevational view thereof;  
 FIG. 4 is a right side elevational view thereof, the opposite side being substantially a mirror image thereof; and  
 FIG. 5 is a rear elevational view thereof.

[56] **References Cited**

**U.S. PATENT DOCUMENTS**

- D. 256,019 7/1980 Boldt et al. .... D15/105
- D. 256,467 8/1980 Johnson et al. .... D15/105

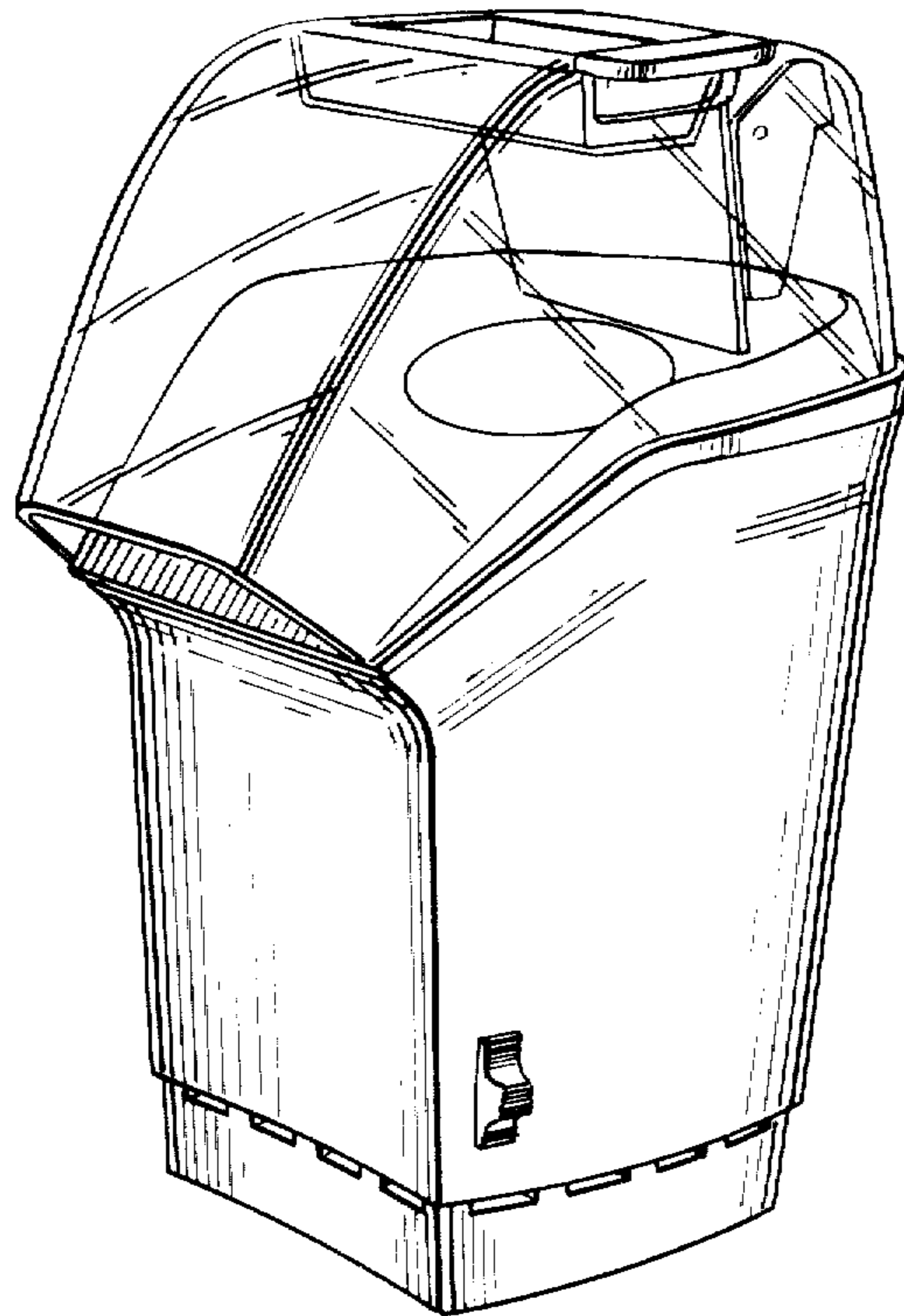


FIG. 1

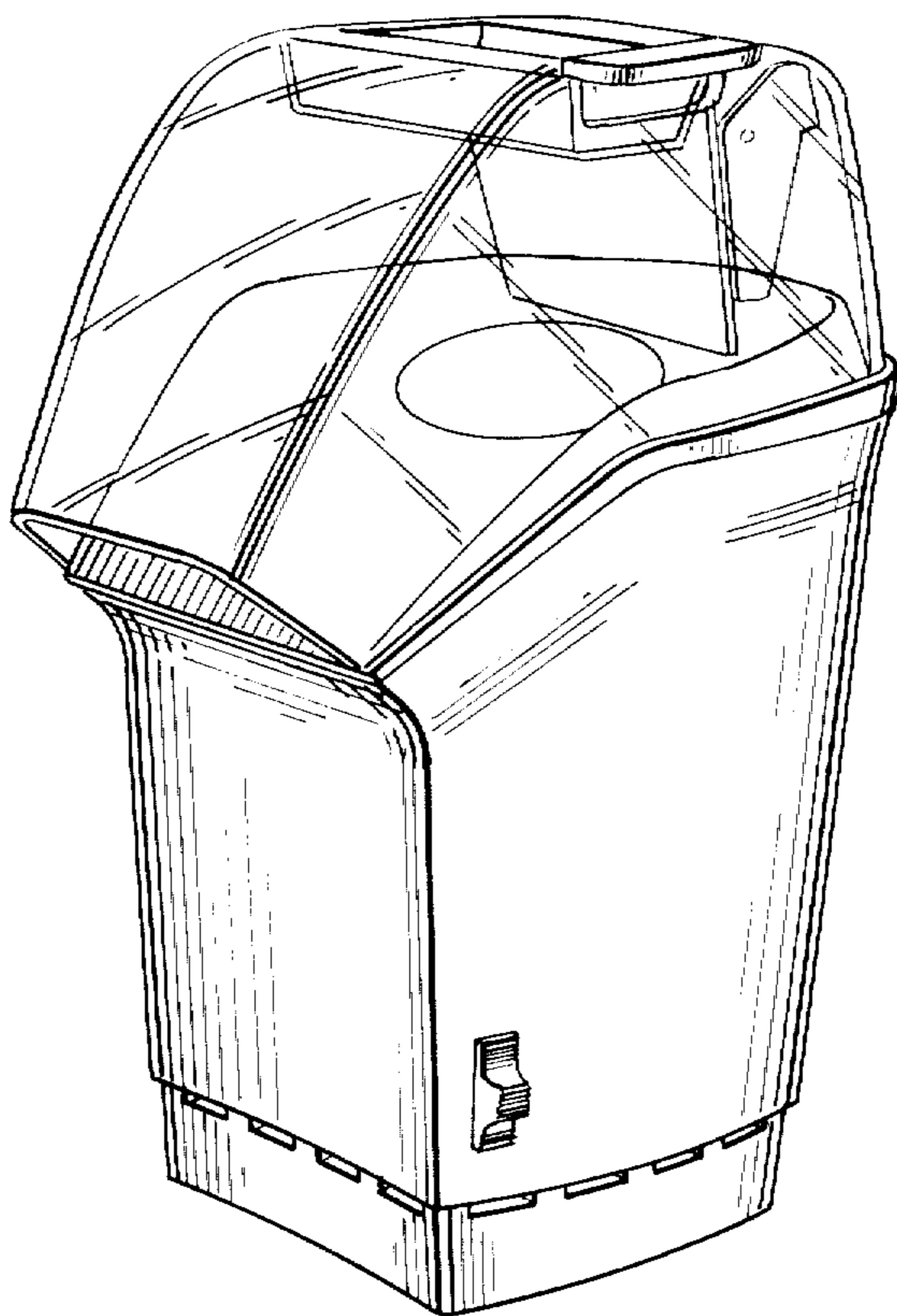
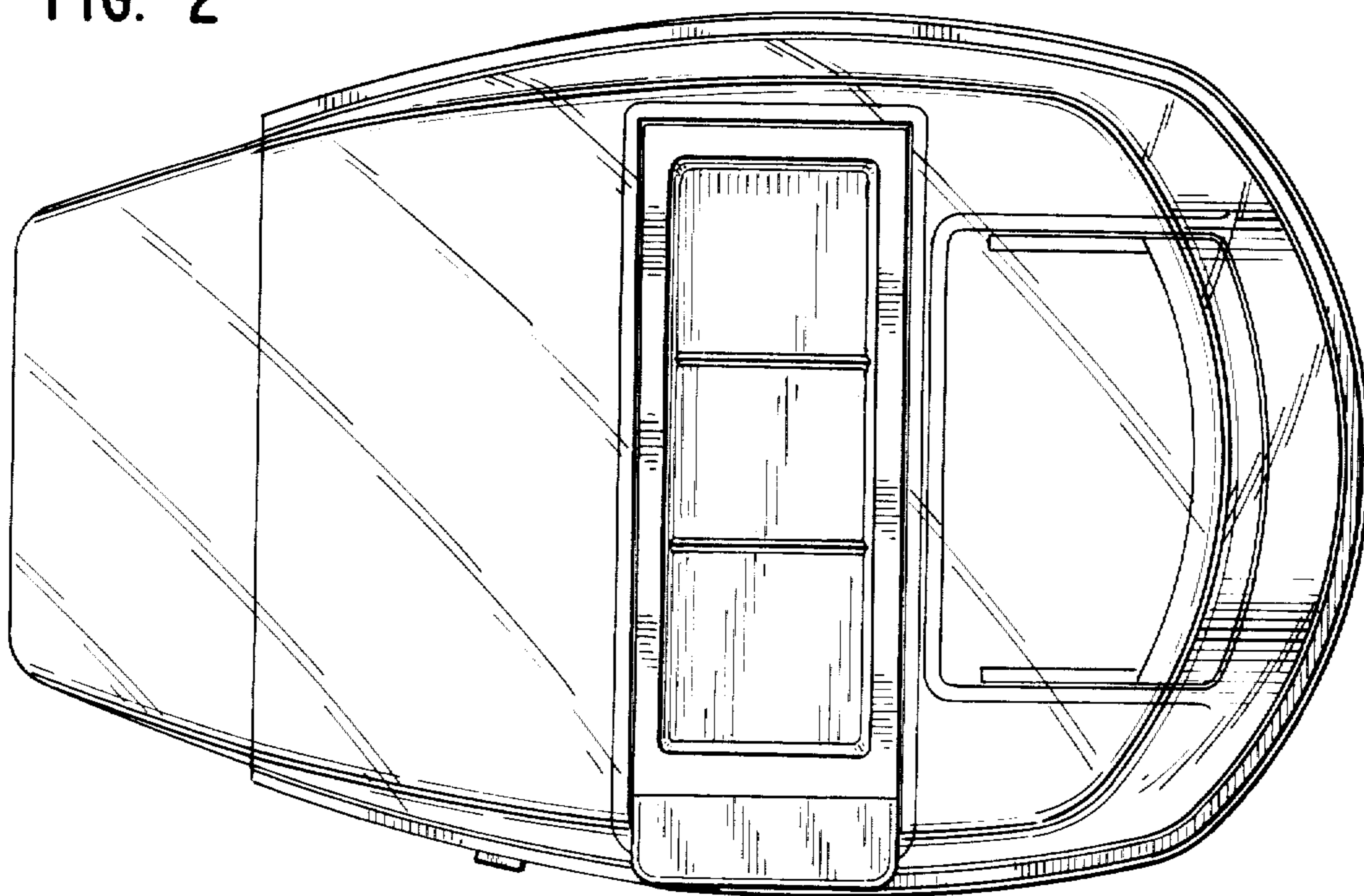


FIG. 2



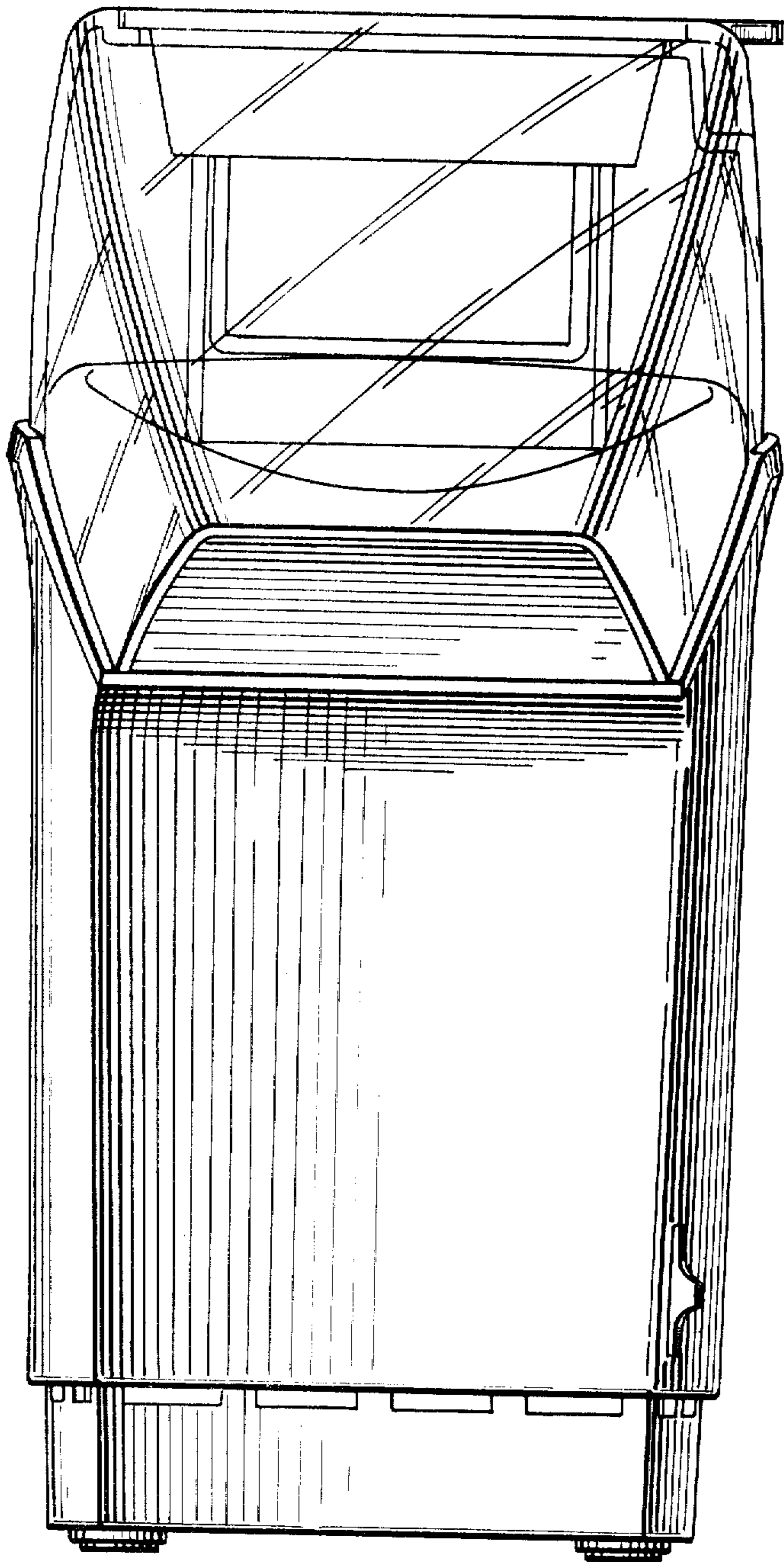


FIG. 3

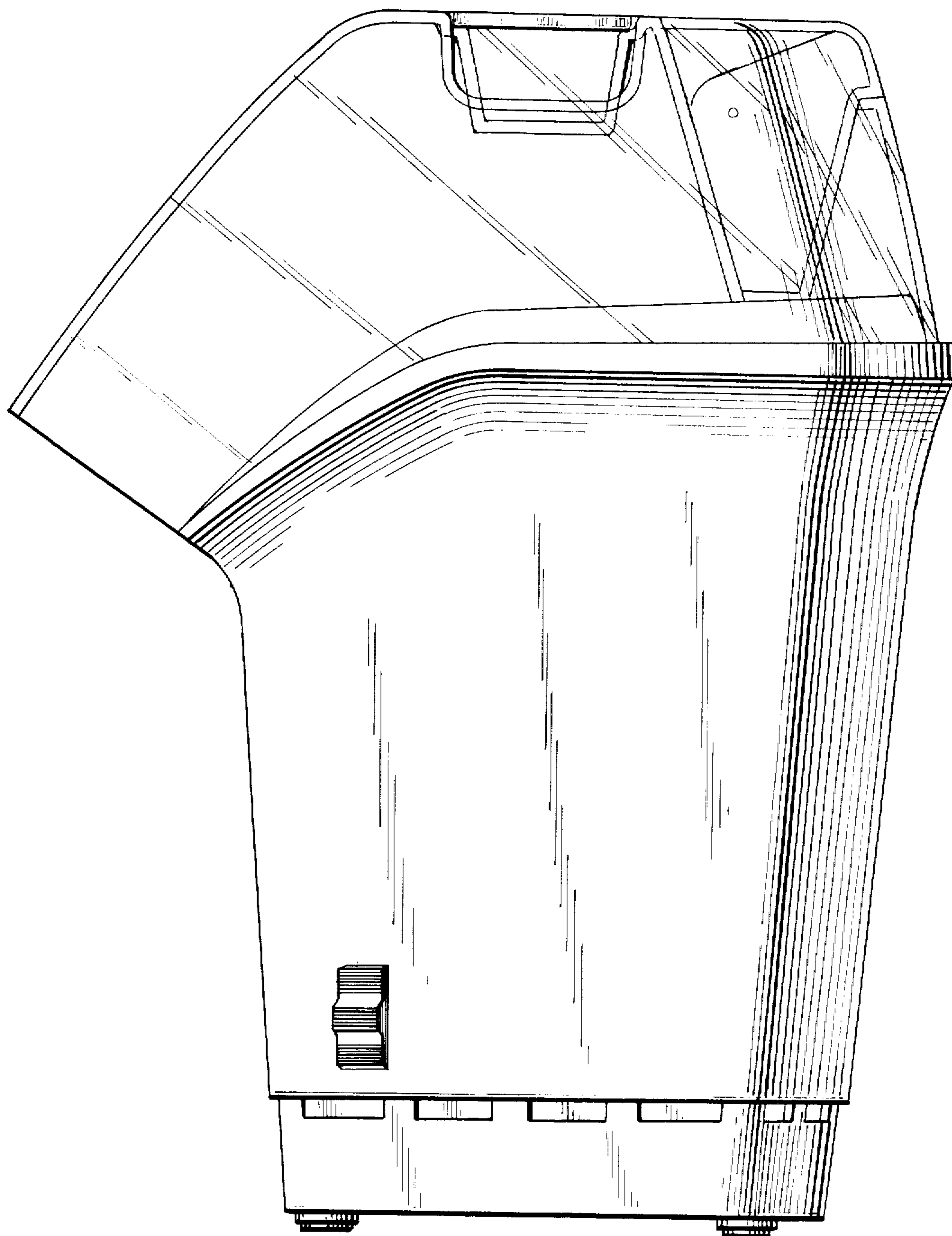


FIG. 4

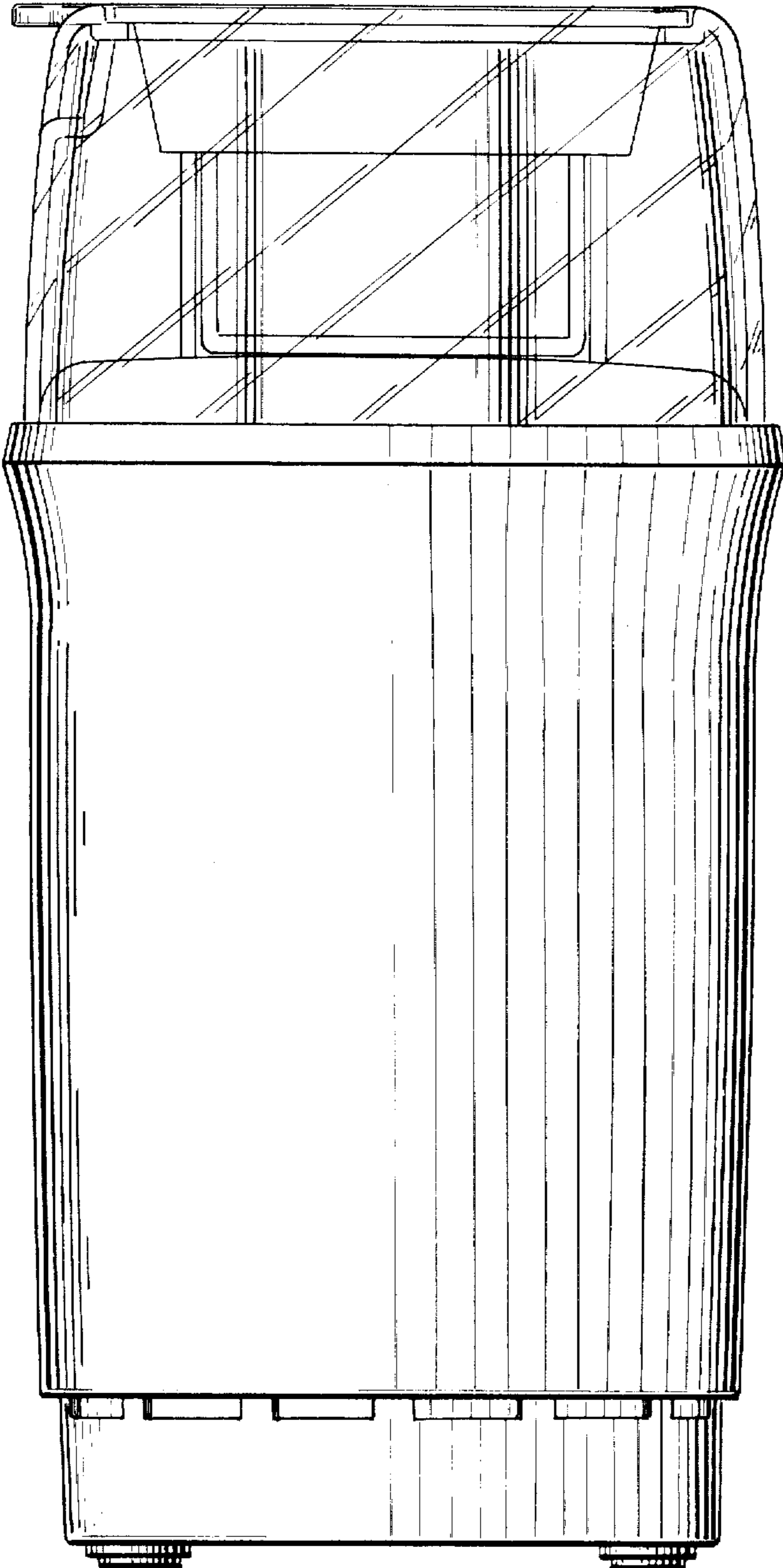


FIG. 5