

[54] COMBINED STEP AND STOOL
 [76] Inventor: Harold W. Cramer, 4314 W. 112th Ter., Leawood, Kans. 66211
 [**] Term: 14 Years
 [21] Appl. No.: 108,478
 [22] Filed: Dec. 31, 1979
 [51] Int. Cl. D6-01
 [52] U.S. Cl. D6/32; D25/65
 [58] Field of Search D6/32, 36; 182/15, 106, 182/115, 129; D25/65

3,559,761 2/1971 Wehner 182/15
 3,599,750 8/1971 Serwer 182/15
 3,721,315 3/1973 Wehner 182/15

Primary Examiner—A. Hugo Word
 Attorney, Agent, or Firm—Lowe, Kokjer, Kircher, Wharton & Bowman

[56] **References Cited**
U.S. PATENT DOCUMENTS
 D. 184,390 2/1959 Cramer D6/32
 2,955,645 10/1960 Cramer 182/15 X

[57] **CLAIM**
 The ornamental design for a combined step and stool, as shown and described.

DESCRIPTION
 FIG. 1 is a perspective view of a combined step and stool showing my new design;
 FIG. 2 is a side elevational view thereof;
 FIG. 3 is a top plan view thereof; and
 FIG. 4 is a side elevational view rotated 90° from the view shown in FIG. 2.

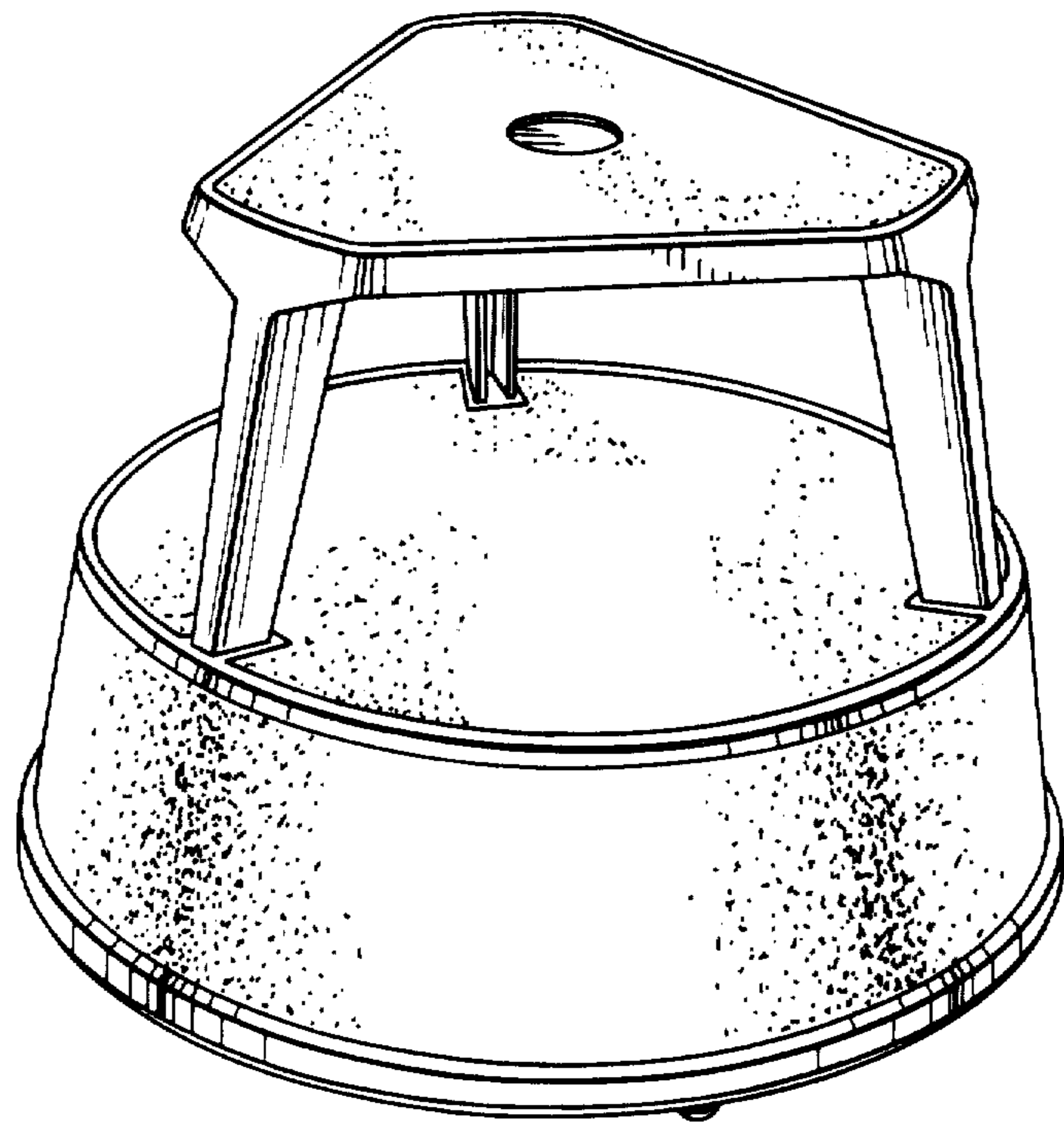


Fig. 1.

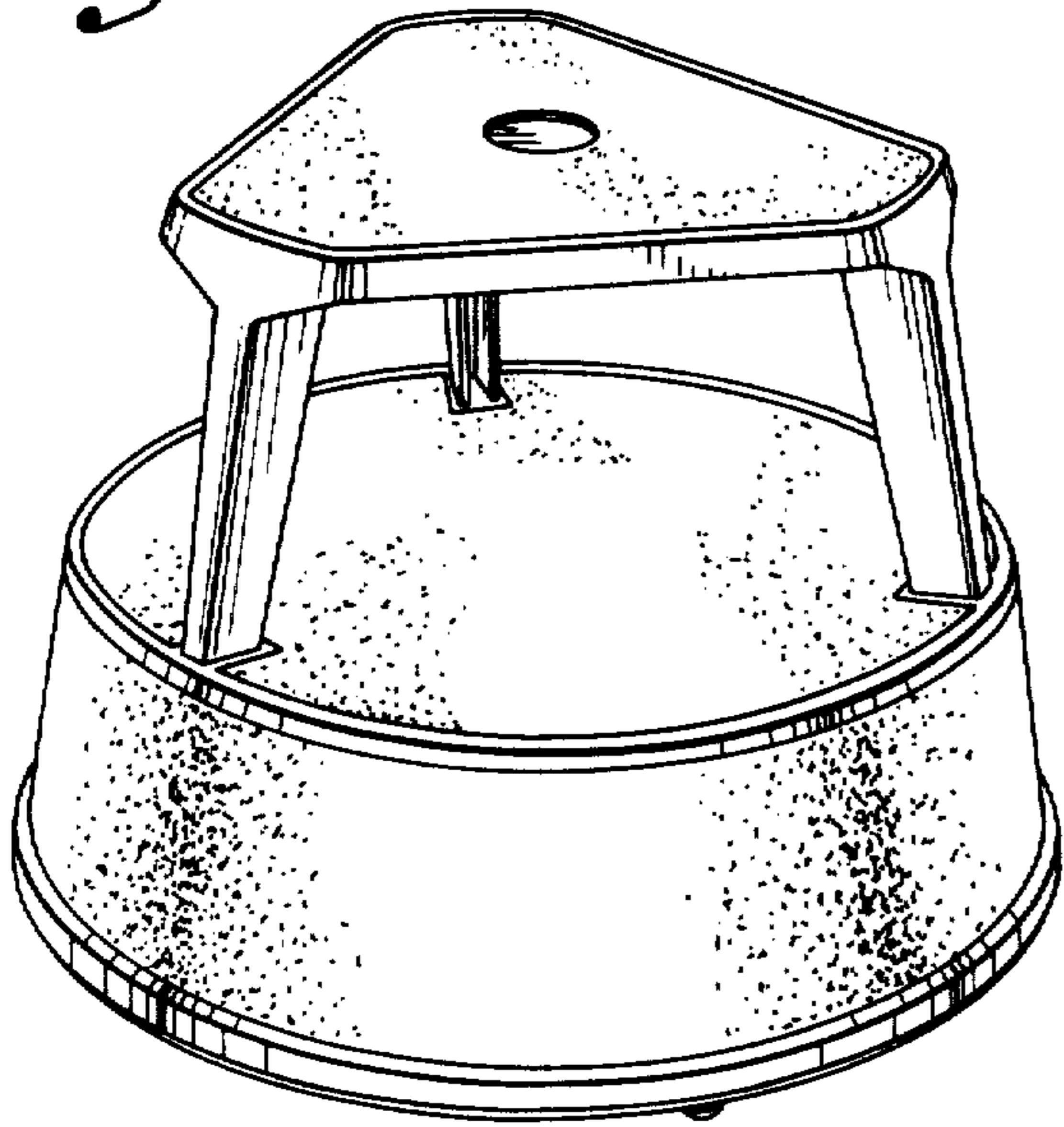


Fig. 2.

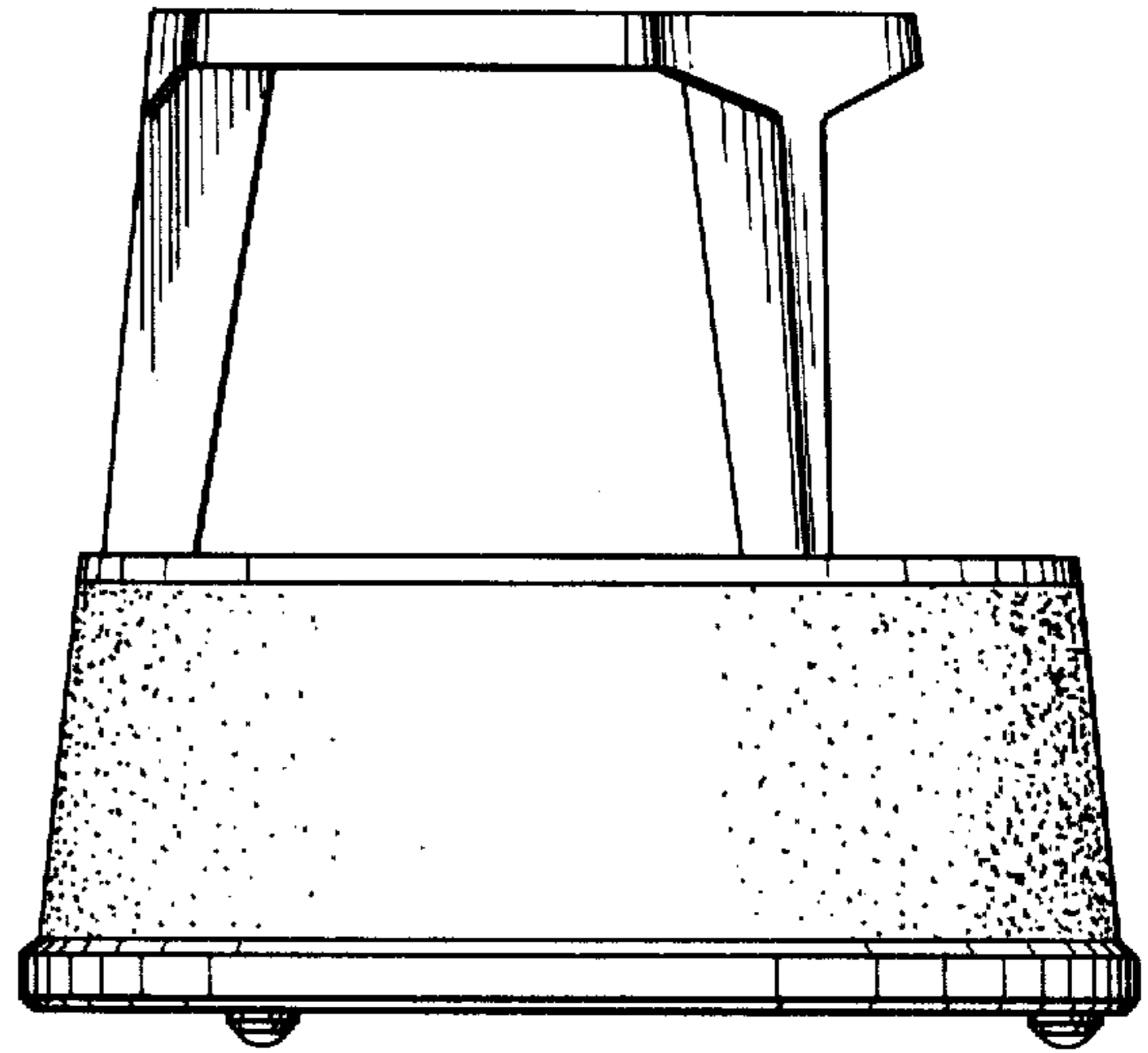


Fig. 3.

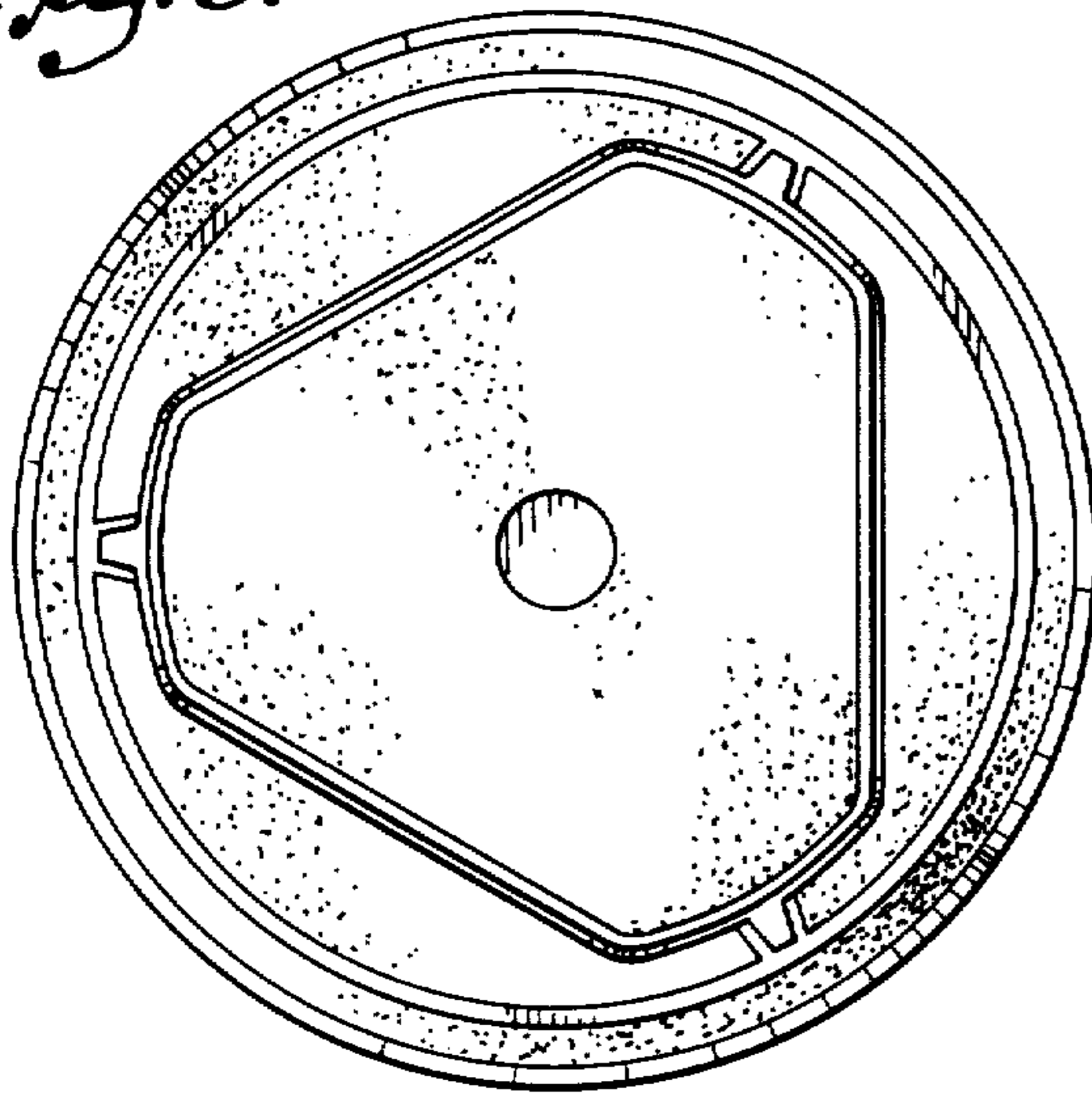


Fig. 4.

