

[54] VIDEO CASSETTE CONTAINER  
 [75] Inventors: **Jerry M. Long**, Ben Lomond; **James A. Womack**, Livermore, both of Calif.  
 [73] Assignee: **Innovative Concepts, Inc.**, San Jose, Calif.  
 [\*\*] Term: **14 Years**  
 [21] Appl. No.: **1,377**  
 [22] Filed: **Jan. 5, 1979**  
 [51] Int. Cl. .... **D3—99; D24—99**  
 [52] U.S. Cl. .... **D3/35; D14/11**  
 [58] Field of Search ..... **D14/6, 11; D3/35; 206/493, 387; 220/306; 242/194, 200, 199**

4,011,940 3/1977 Neal et al. .... 206/306 X  
 4,054,206 10/1977 Kobayashi et al. .... 206/387

*Primary Examiner*—Bernard Ansher  
*Attorney, Agent, or Firm*—Claude A. S. Hamrick

[57] CLAIM

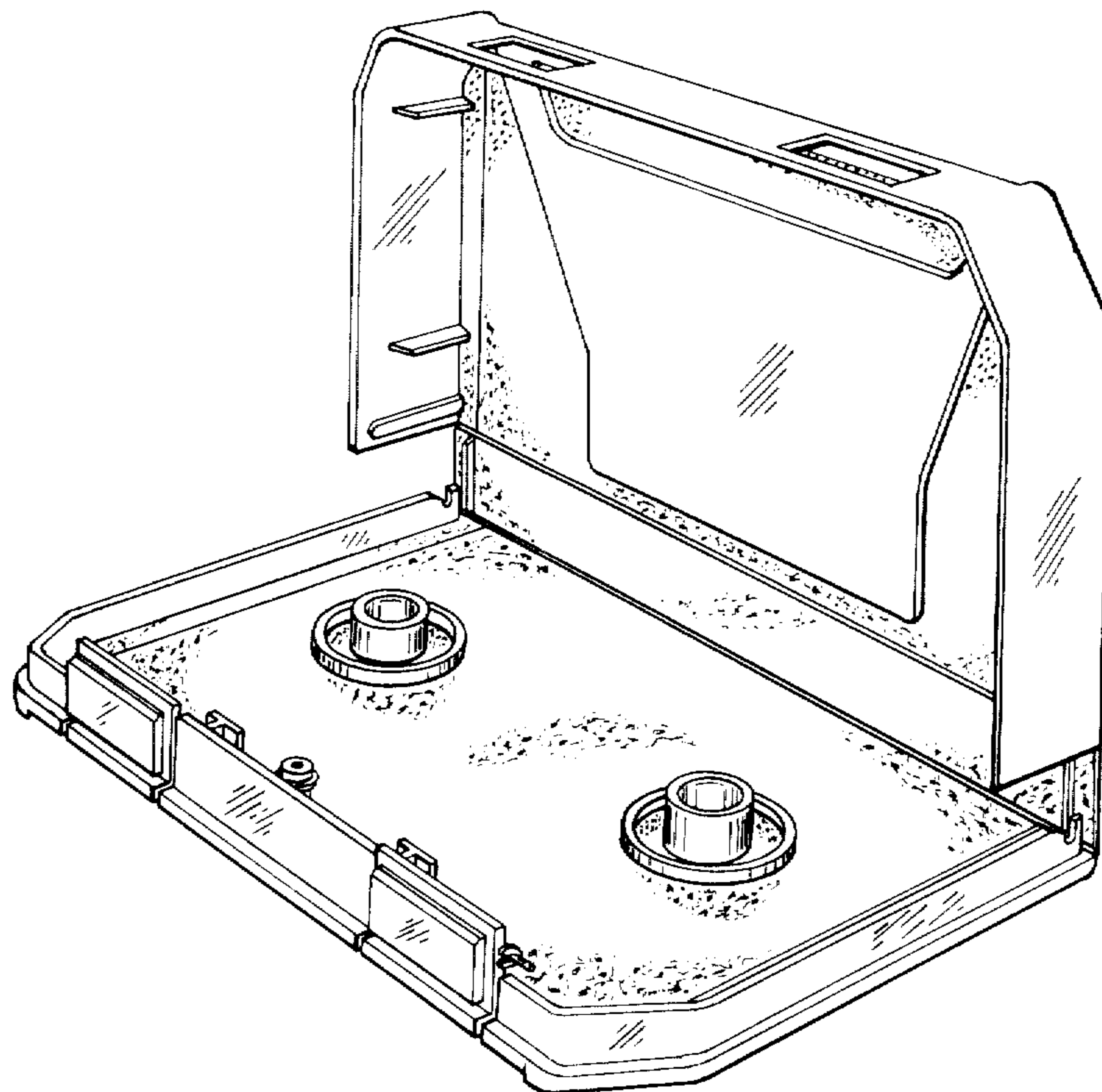
The ornamental design for a video cassette container, substantially as shown and described.

DESCRIPTION

FIG. 1 is a perspective view of a video cassette container in an open condition, showing my new design; FIG. 2 is a front elevation thereof, in a closed condition; FIG. 3 is a rear elevation thereof; FIG. 4 is a top plan view thereof, in a fully open condition; FIG. 5 is a cross section taken on line 5—5 of FIG. 4; FIG. 6 is a bottom plan view of the container in a fully open condition; and FIG. 7 is a fragmentary perspective view of a modified embodiment of the cassette hub capture spindles illustrated in FIG. 1.

[56] **References Cited**  
**U.S. PATENT DOCUMENTS**

D. 211,356 6/1968 Jensen ..... D3/35  
 D. 233,374 10/1974 Heeren ..... D3/35  
 3,876,071 4/1975 Neal et al. .... 206/387



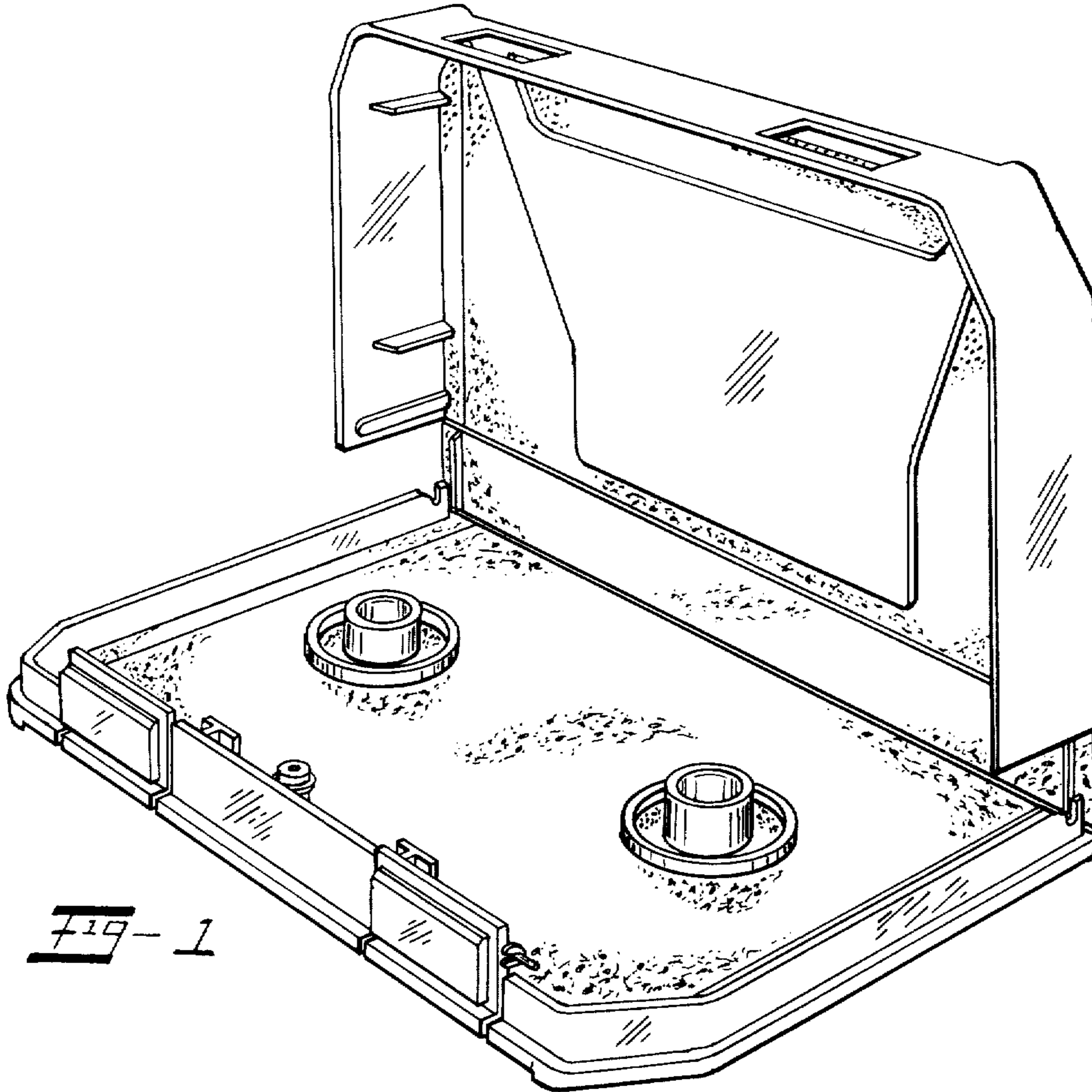


FIG-1

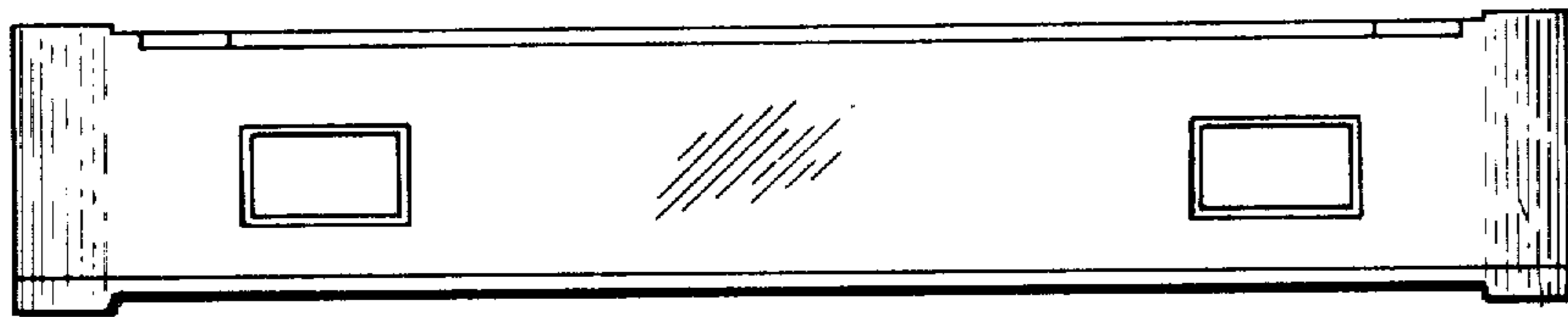


FIG-2

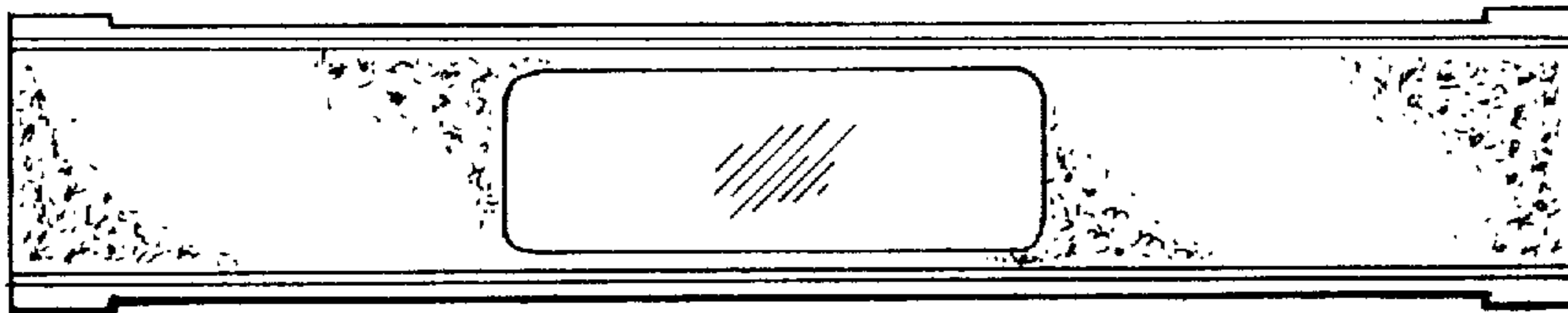


FIG-3

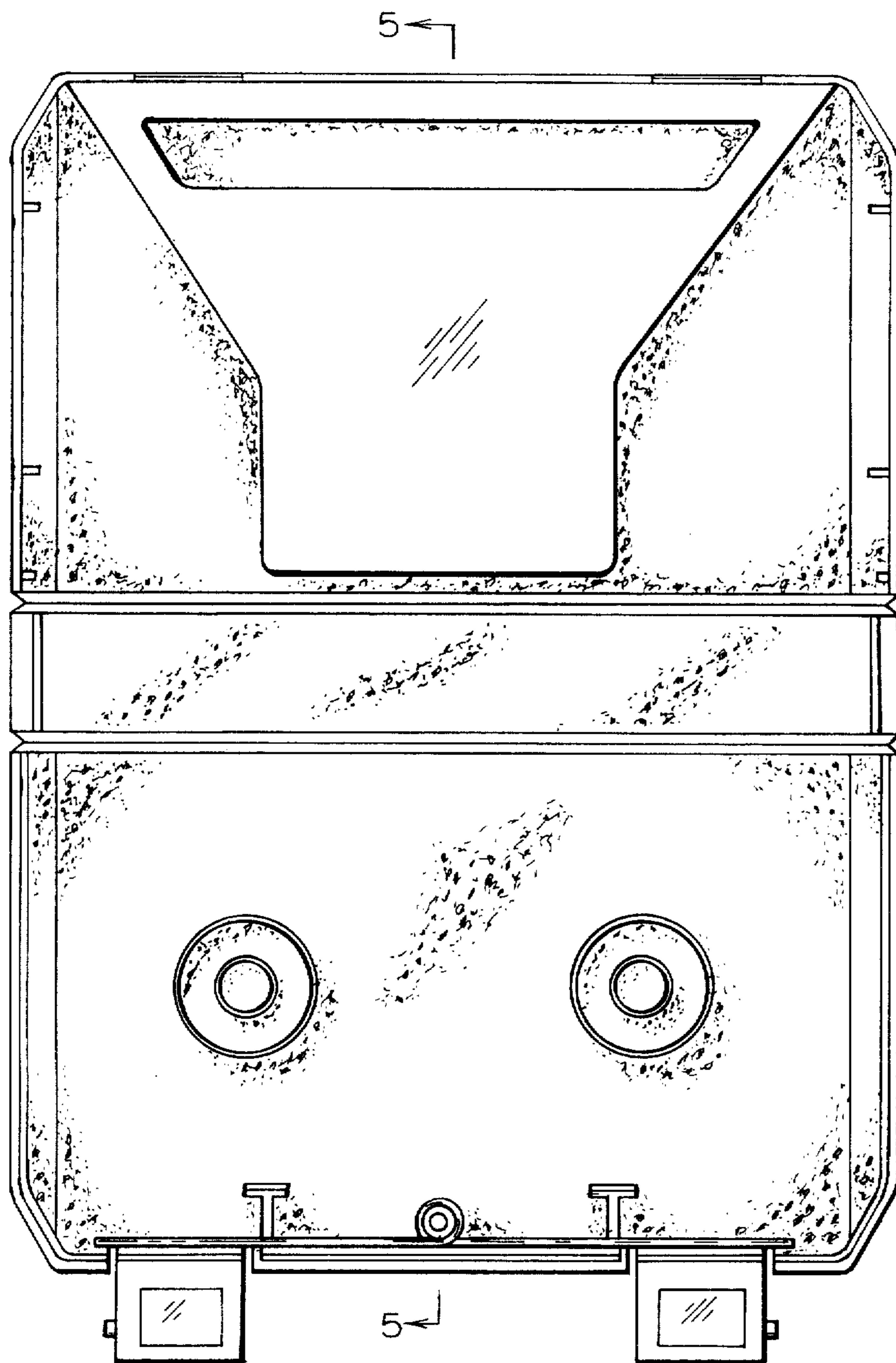


Fig-4

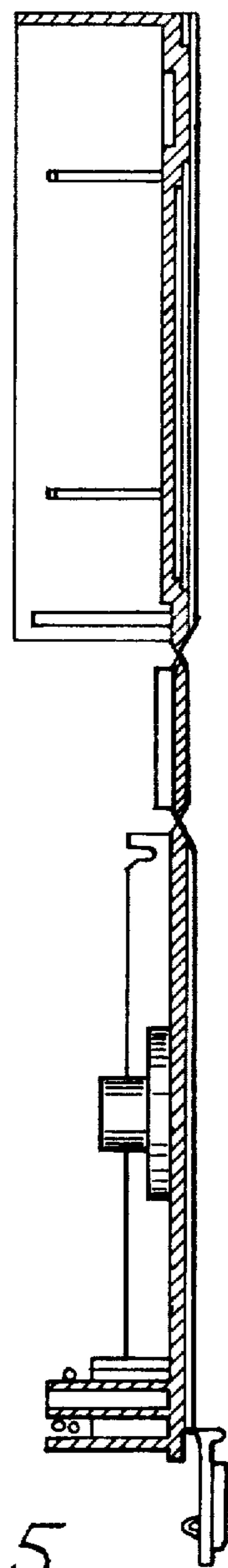


Fig-5

