

- [54] PIPE
- [75] Inventor: William K. Whaling, Santa Monica, Calif.
- [73] Assignee: Neico Enterprises, Gardena, Calif.
- [**] Term: 14 Years
- [21] Appl. No.: 61,699
- [22] Filed: Jul. 30, 1979
- [51] Int. Cl. D27-02
- [52] U.S. Cl. D27/04
- [58] Field of Search D27/2, 3, 4, 5, 6, 7, D27/11, 22; 131/171 R, 173; D21/121, 122, 123

[56] **References Cited**
U.S. PATENT DOCUMENTS

- D. 243,258 2/1977 Segal D27/3
- D. 256,623 8/1980 Lockwood D27/3

OTHER PUBLICATIONS

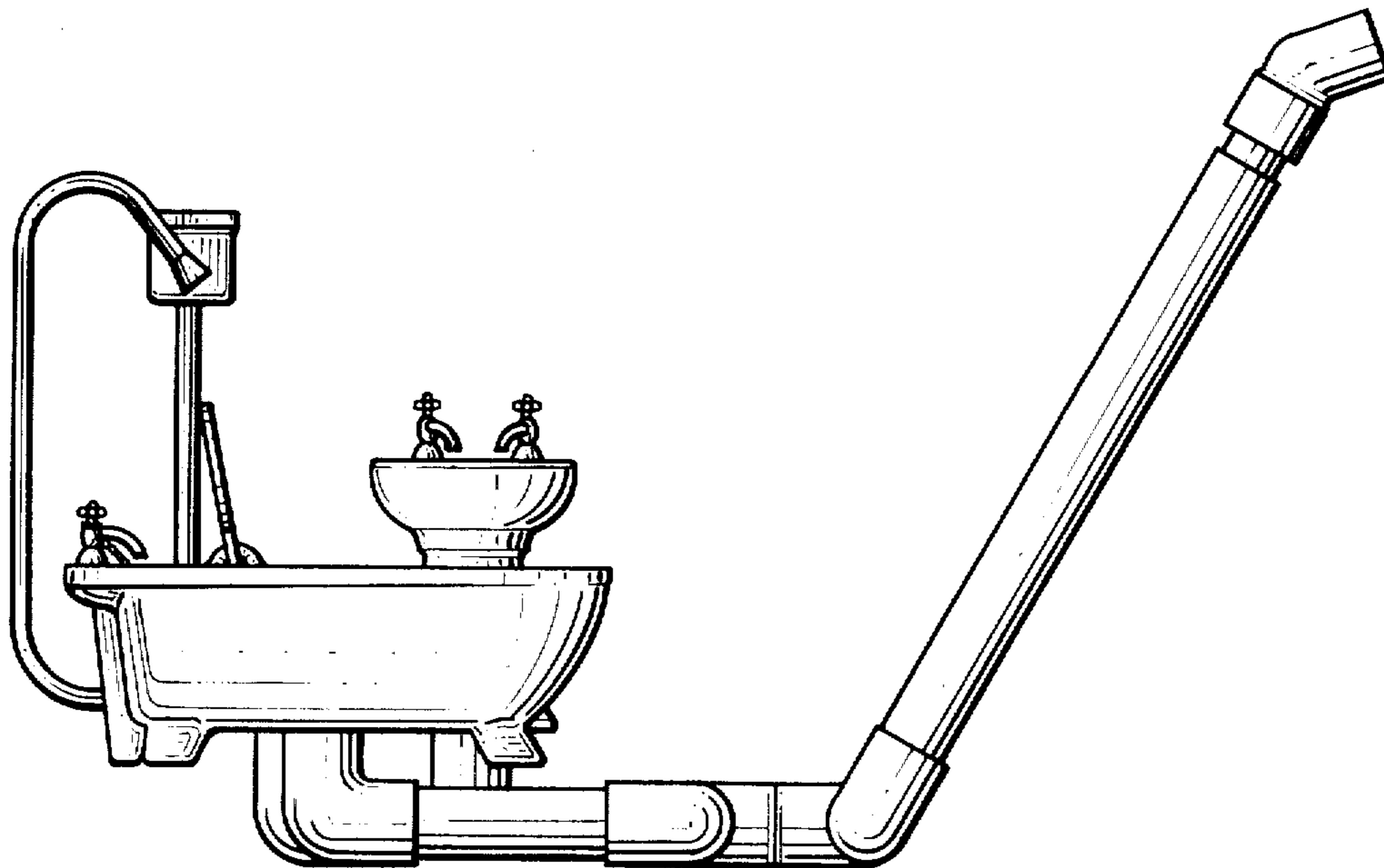
- Sunset House Gift Guide © 1960, p. 33, Potty and Tub Ashtrays.
- Miles Kimball Catalog © 1979, p. 44, Miniature Bathroom Fixtures.
- Primary Examiner*—Catherine E. Kemper
- Attorney, Agent, or Firm*—Edward A. Sokolski

[57] **CLAIM**

The ornamental design for a pipe, as shown and described.

DESCRIPTION

- FIG. 1 is a front elevational view of a pipe, showing my new design;
- FIG. 2 is a left side elevational view thereof;
- FIG. 3 is a right side elevational view thereof;
- FIG. 4 is a rear elevational view thereof;
- FIG. 5 is a top plan view thereof;
- FIG. 6 is a bottom plan view thereof.



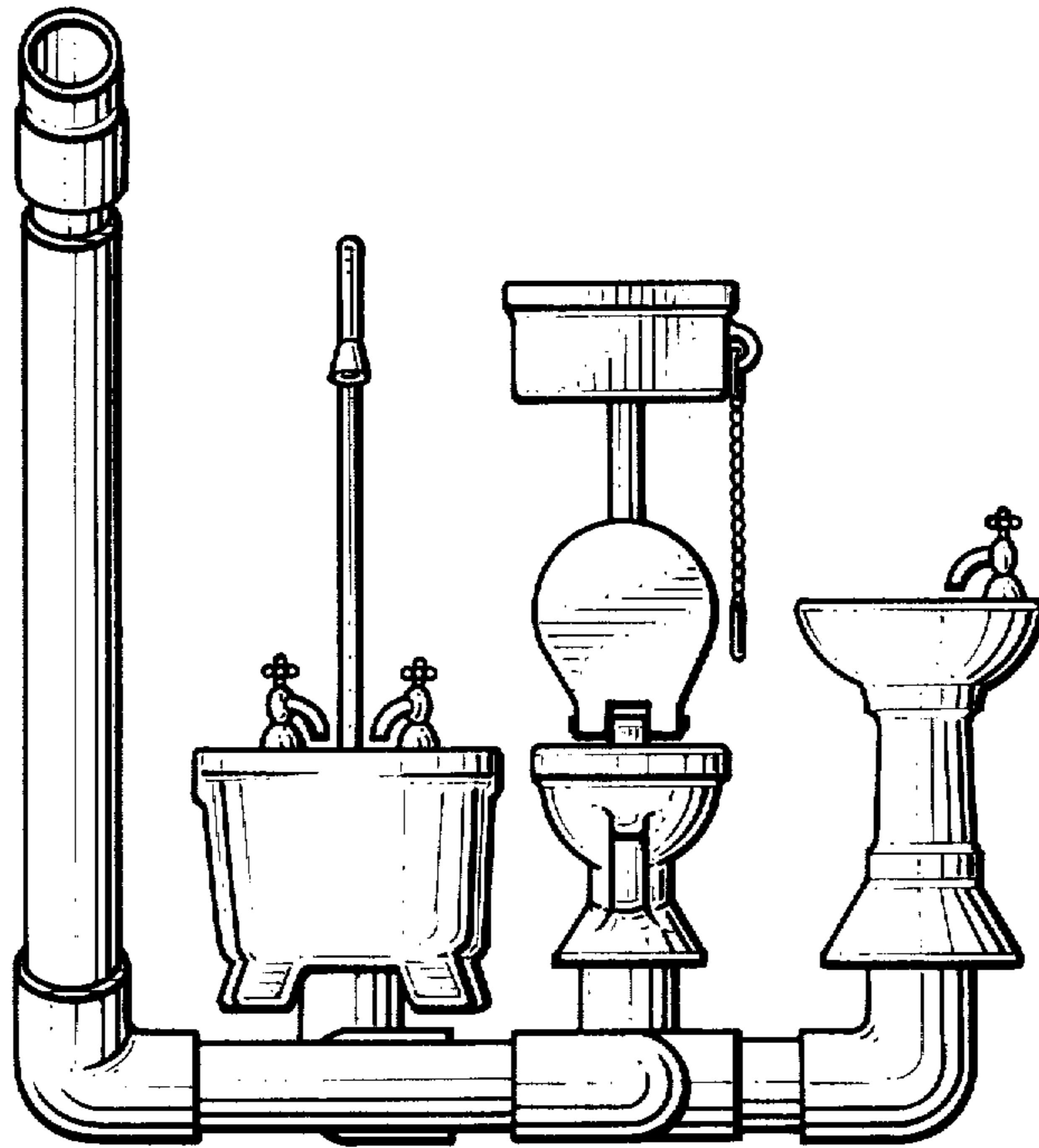


Fig. 1.

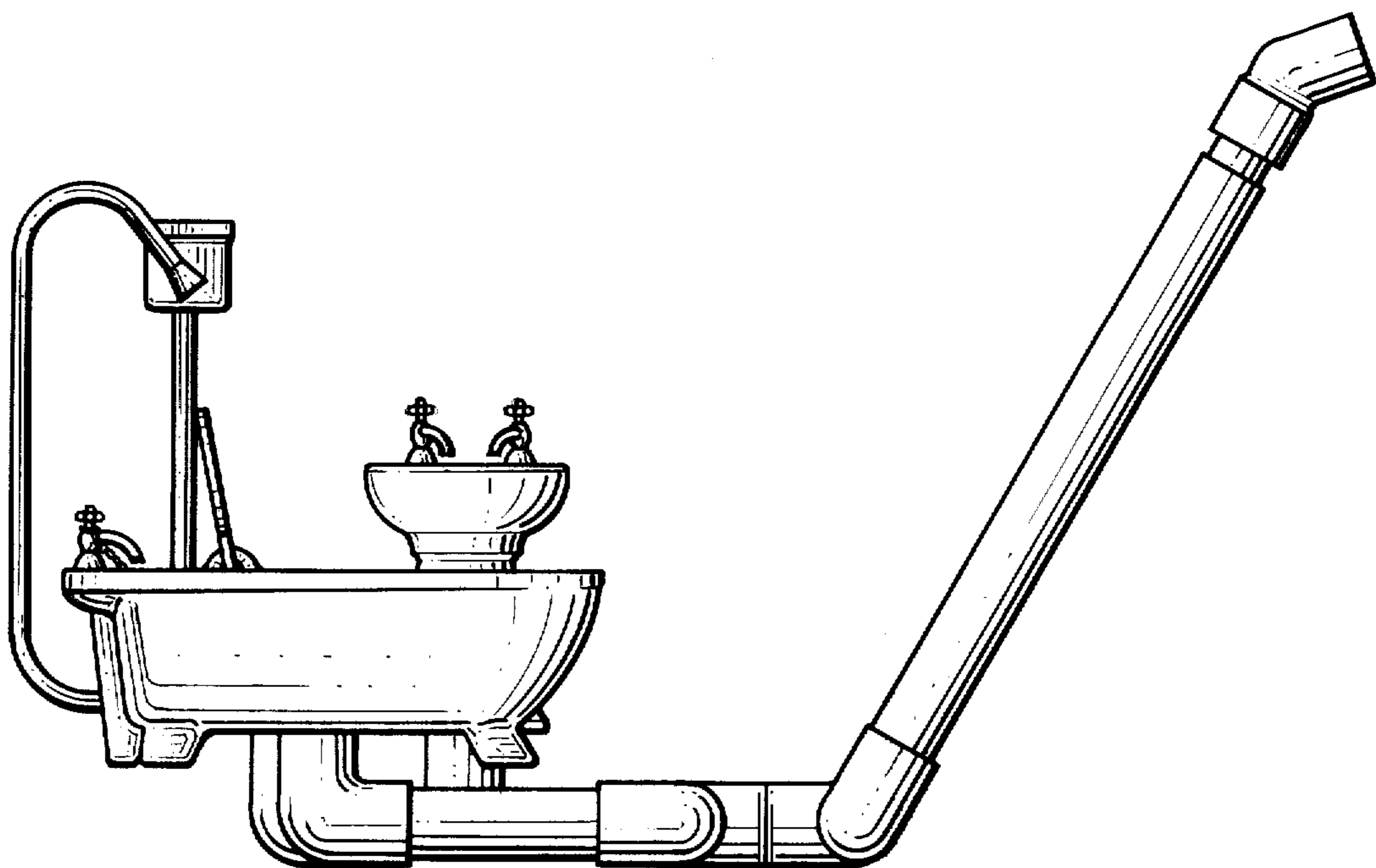


Fig. 2.

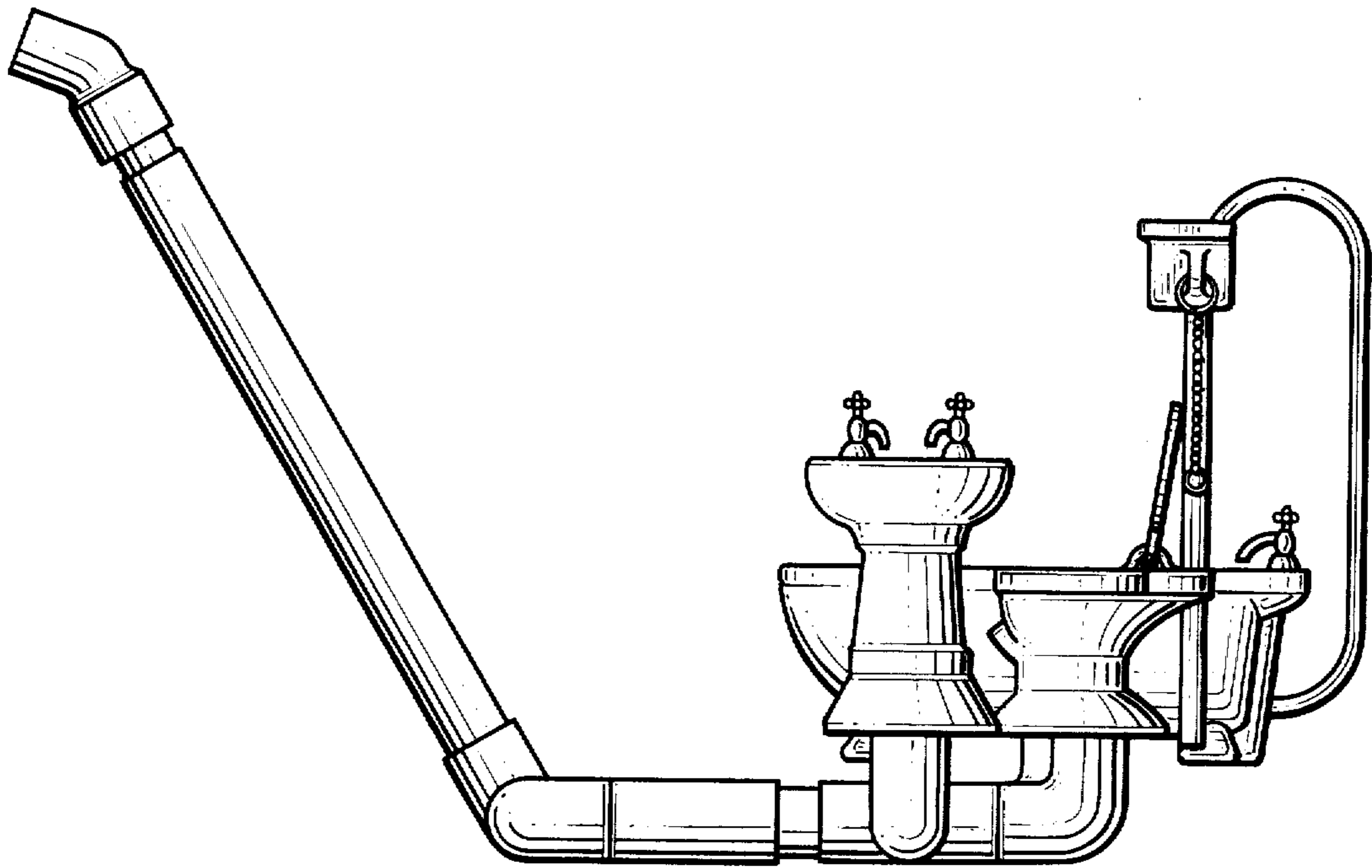


Fig. 3.

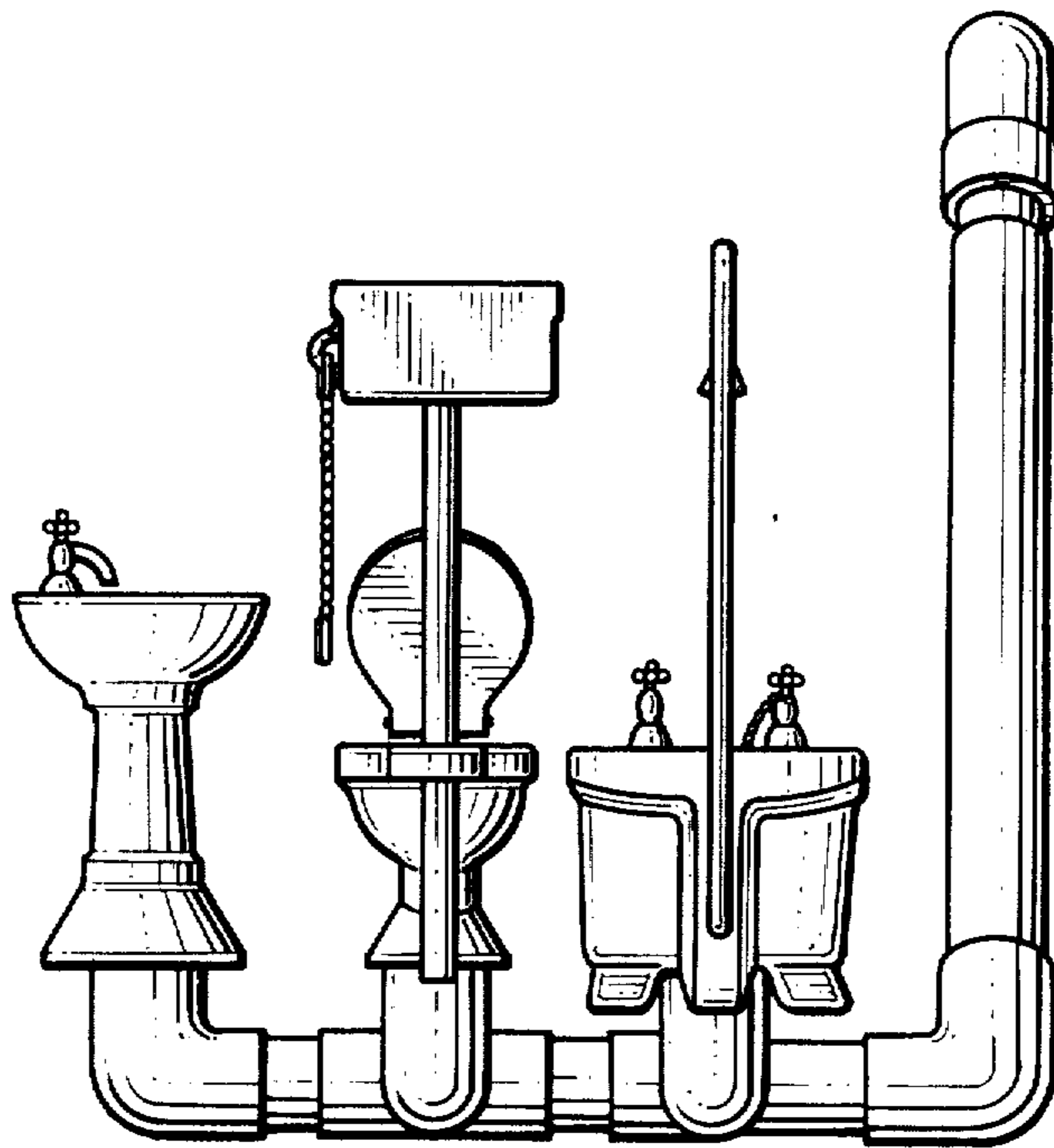


Fig. 4.

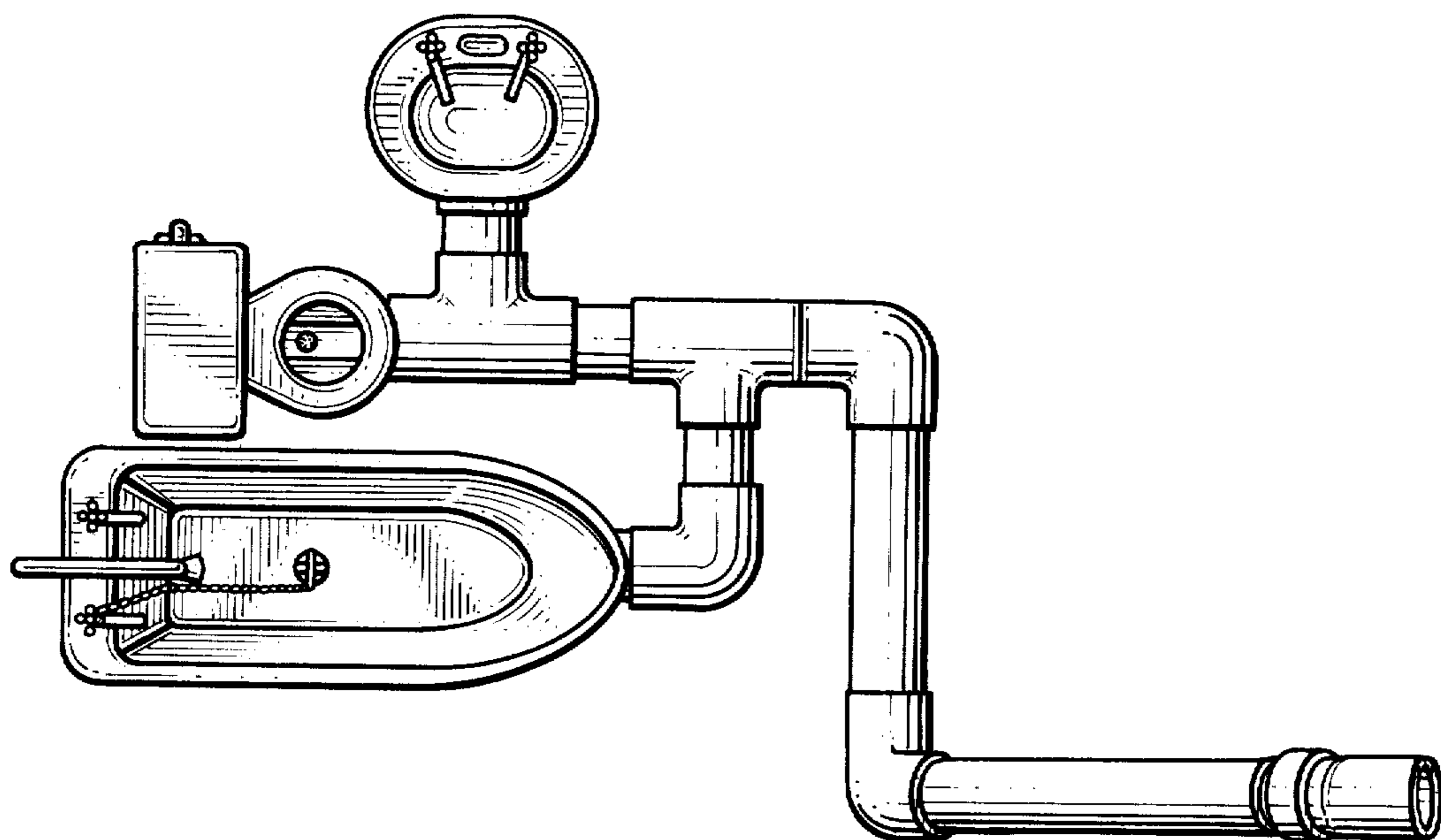


Fig. 5.

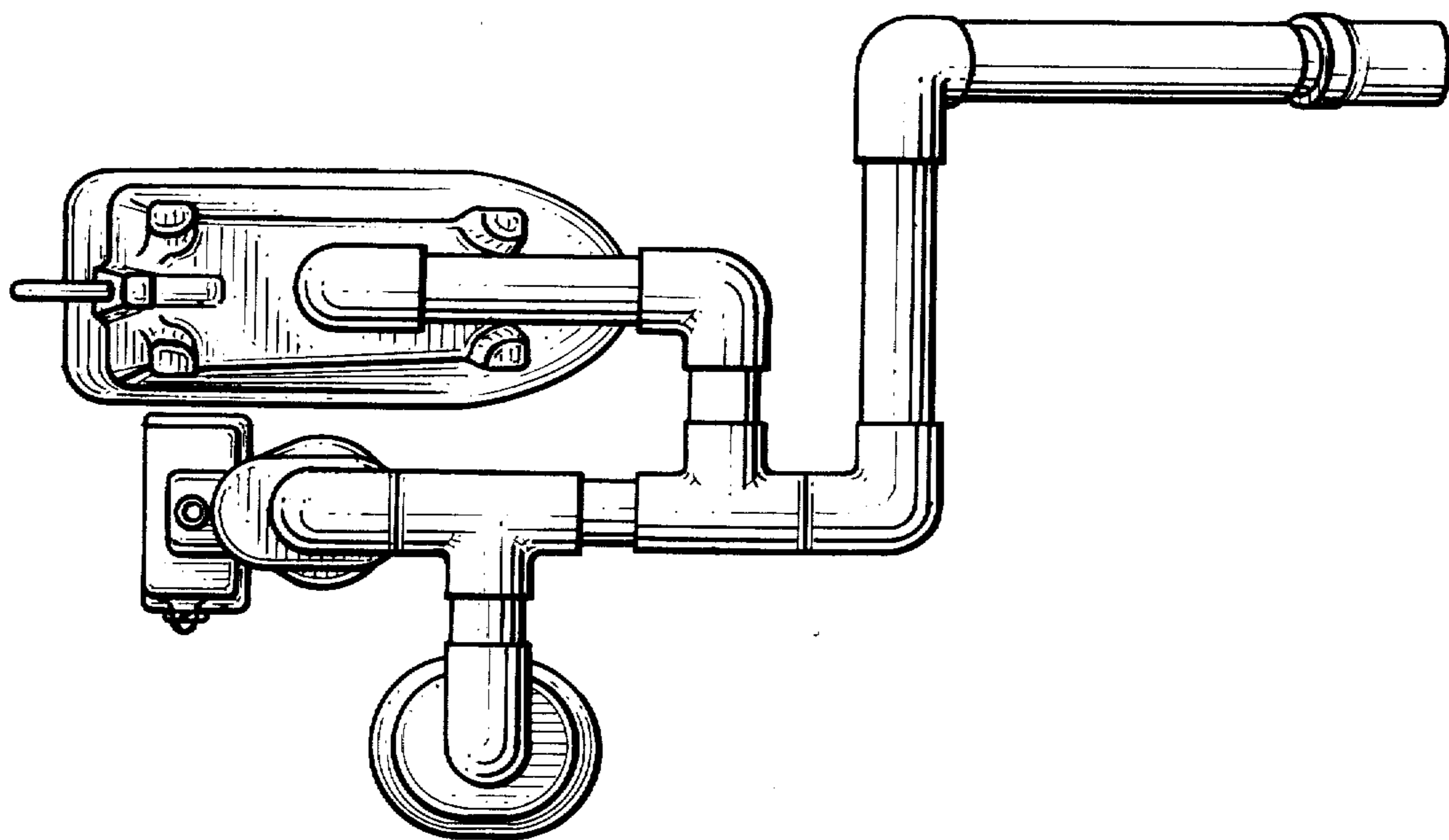


Fig. 6.