

[54] DOOR FRAME OR SIMILAR ARTICLE

[75] Inventor: Donald L. Bittner, New Castle, Ind.

[73] Assignee: American Standard Inc., New York, N.Y.

[**] Term: 14 Years

[21] Appl. No.: 71,825

[22] Filed: Sep. 4, 1979

[51] Int. Cl. D25-01

[52] U.S. Cl. D25/74; D25/60

[58] Field of Search D25/60, 74, 75, 76, D25/77, 73; 49/504; 52/204, 213, 716, 717, 718, 738

[56] References Cited

U.S. PATENT DOCUMENTS

- D. 194,585 2/1963 Warning et al. D25/60 X
- D. 225,319 12/1972 Dallaire et al. D25/60 X

- 4,005,558 2/1977 Barrison D25/60 X
- 4,015,382 4/1977 Noyes D25/60 X
- 4,223,494 9/1980 Wendt 49/504 X

Primary Examiner—A. Hugo Word
Attorney, Agent, or Firm—James J. Salerno, Jr.; Robert G. Crooks; John P. Sinnott

[57] CLAIM

The ornamental design for a door frame or similar article, substantially as shown and described.

DESCRIPTION

FIG. 1 is a three-dimensional view of a door frame or similar article embodying my new design as seen from the front, top and one side thereof; and FIG. 2 is a three-dimensional view similar to that of FIG. 1 but as seen from front, bottom and other side thereof.

The door frame or similar article has been shown in dot and dash lines on one end thereof in FIGS. 1 and 2 to indicate indeterminate length.

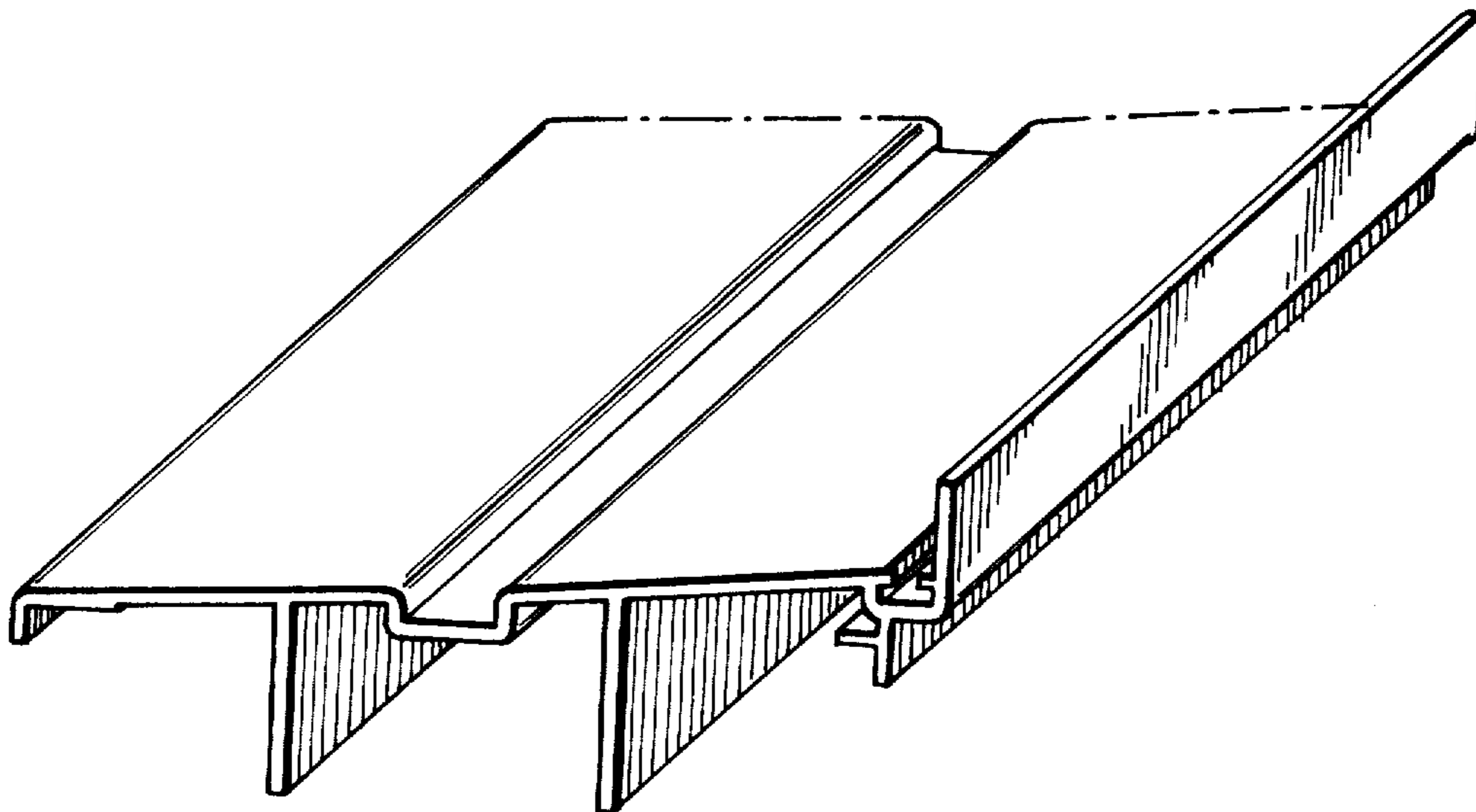


FIG. 1

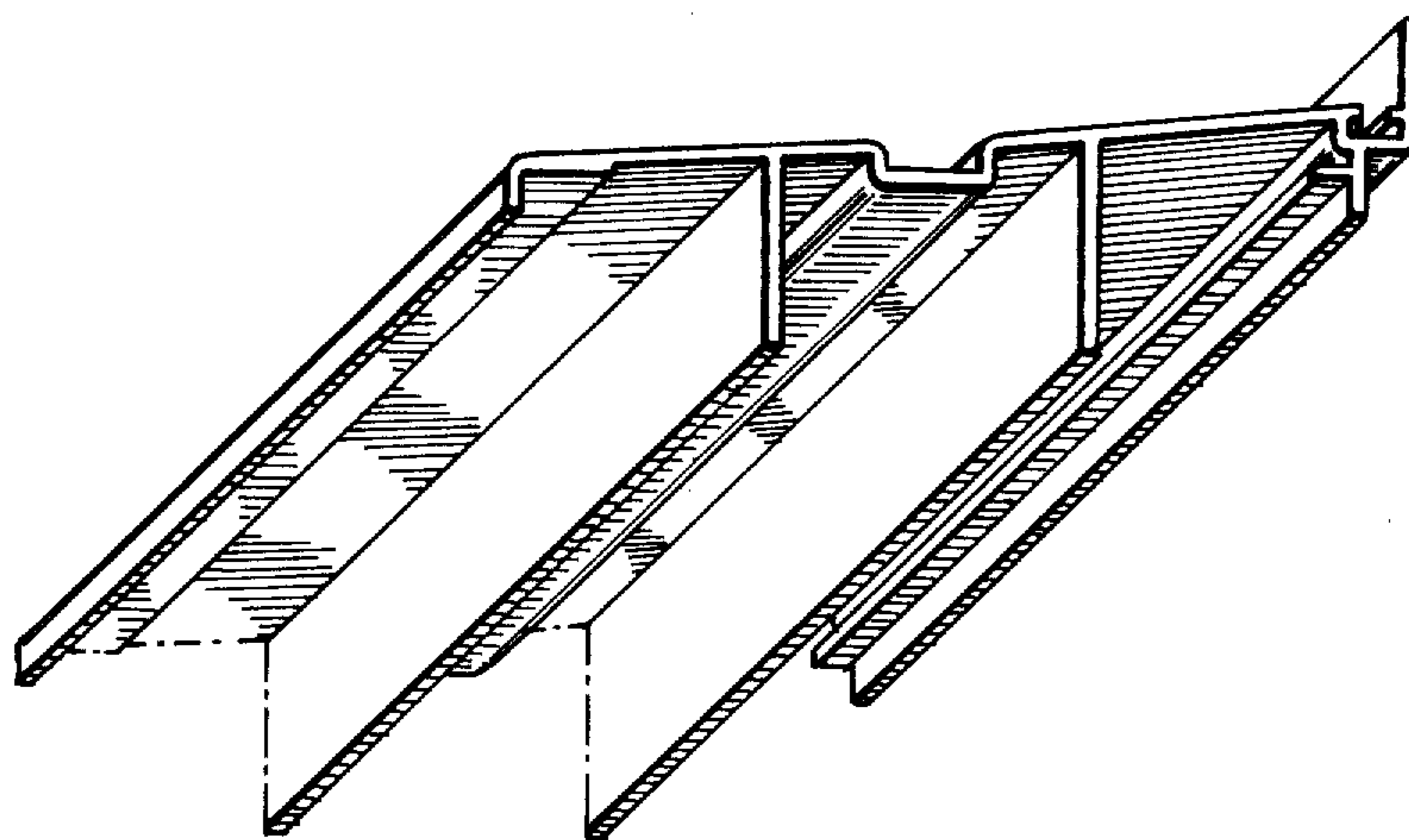
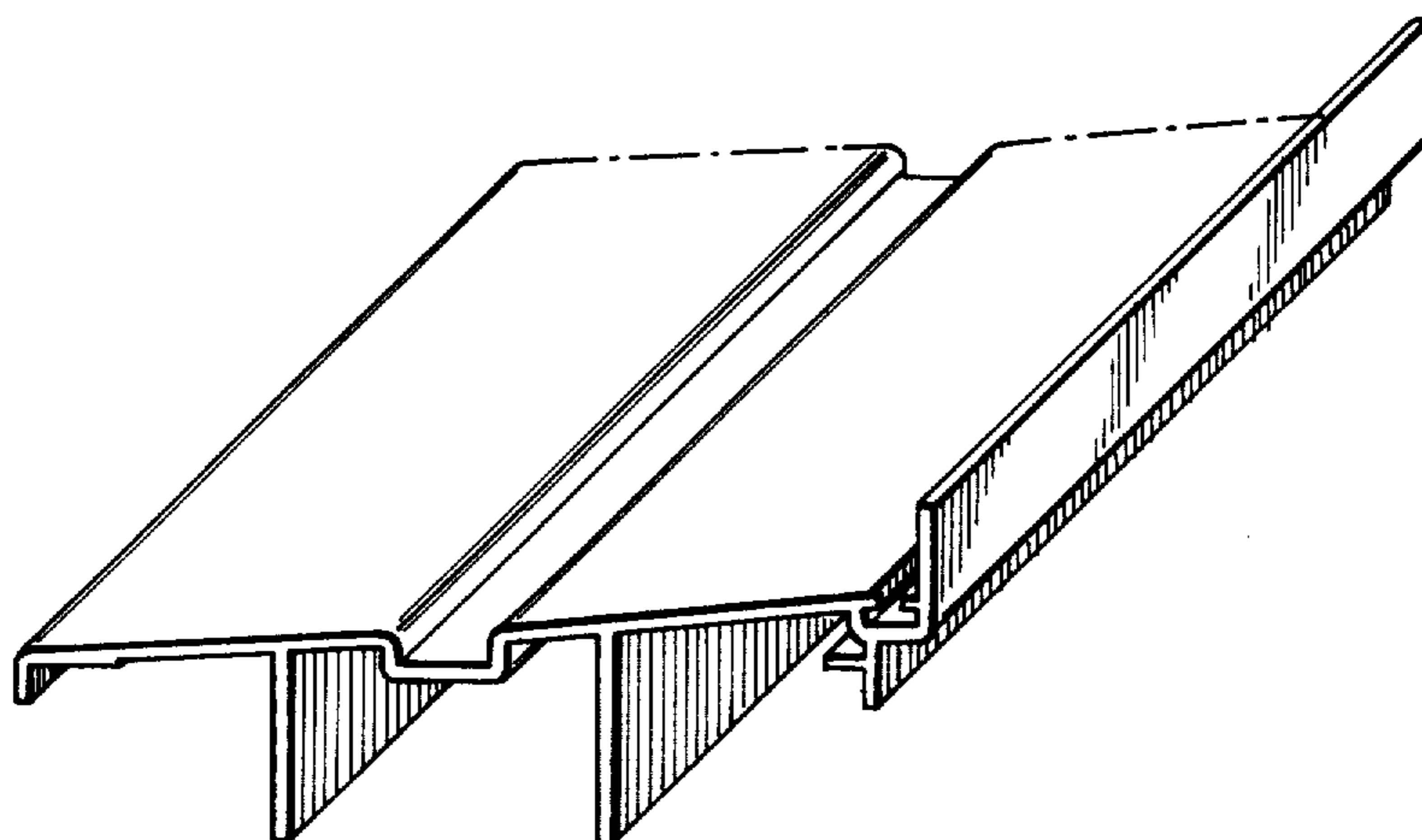


FIG. 2