

[54] COMBINED WALK-IN STAIRS AND BUILT-IN SPA FOR SWIMMING POOLS

[76] Inventors: Ronald C. Wallin; Wesley A. Wallin, both of 132 Federal Rd., Danbury, Conn. 06810

[**] Term: 14 Years

[21] Appl. No.: 83,841

[22] Filed: Oct. 11, 1979

[51] Int. Cl. D24-01; D23-02; D25-99

[52] U.S. Cl. D24/38; D23/55; D25/2

[58] Field of Search D24/36, 38, 2; D25/2; 4/488, 491, 492; D23/48, 49, 52, 55; 128/366, 66

[56] References Cited

U.S. PATENT DOCUMENTS

D. 201,793 8/1965 Rains D25/2

D. 221,139 7/1971 Diamond et al. D25/2
D. 240,084 5/1976 Melchoir D24/38
D. 251,016 2/1979 Stangle D24/38
3,952,338 4/1976 Traxclair 4/492

Primary Examiner—Bernard Ansher
Attorney, Agent, or Firm—Pearson & Pearson

[57] CLAIM

The ornamental design for a combined walk-in stairs and built-in spa for swimming pools, substantially as shown and described.

DESCRIPTION

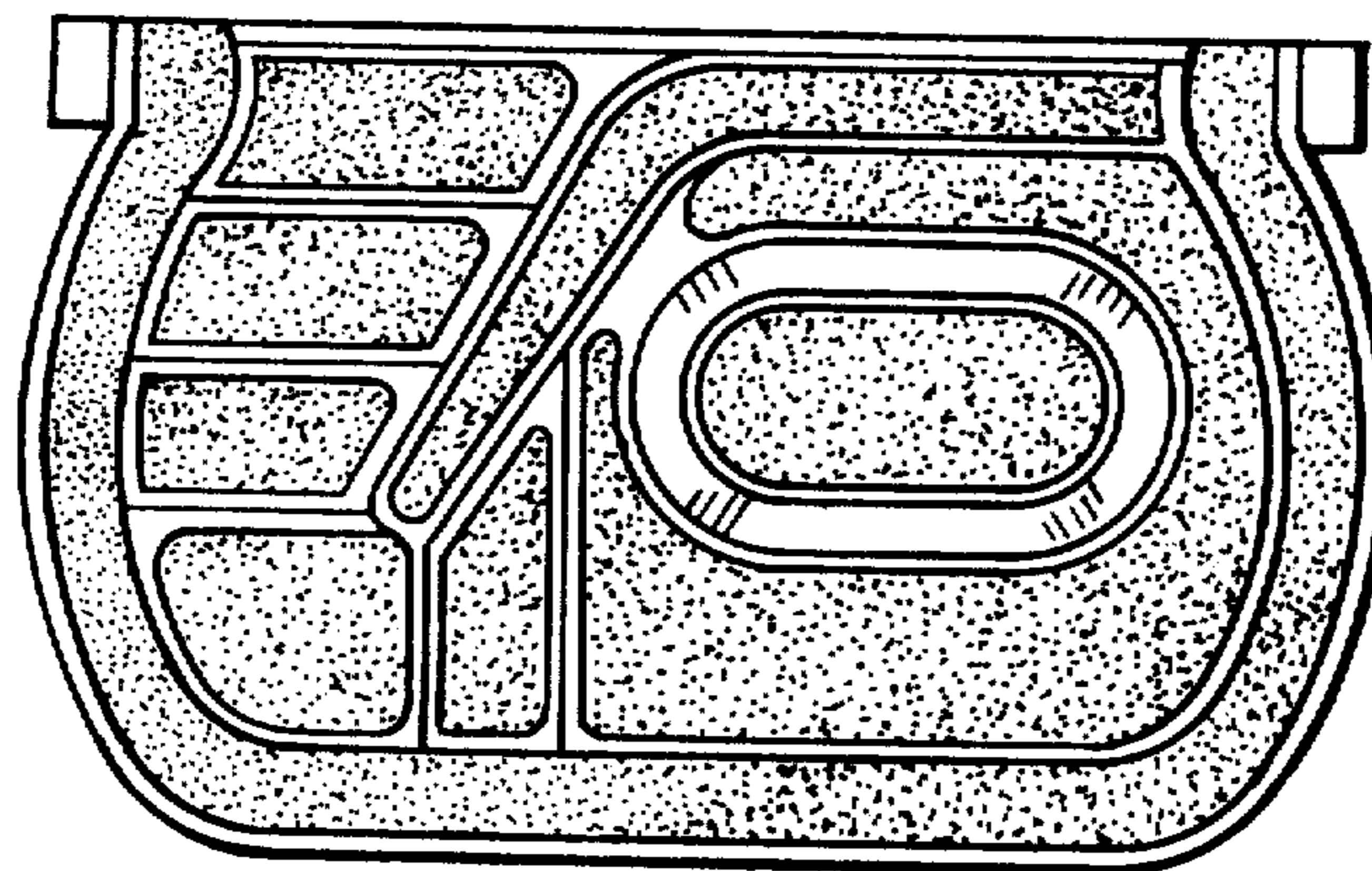
FIG. 1 is a top plan view of a combined walk-in stairs and built-in spa for swimming pools, showing our new design;

FIG. 2 is a front elevational view of a combined walk-in stairs and built-in spa for swimming pools from the opposite side;

FIG. 3 is a perspective view from one side thereof;

FIG. 4 is a perspective view front the other side;

FIG. 5 is a rear elevational view thereof.



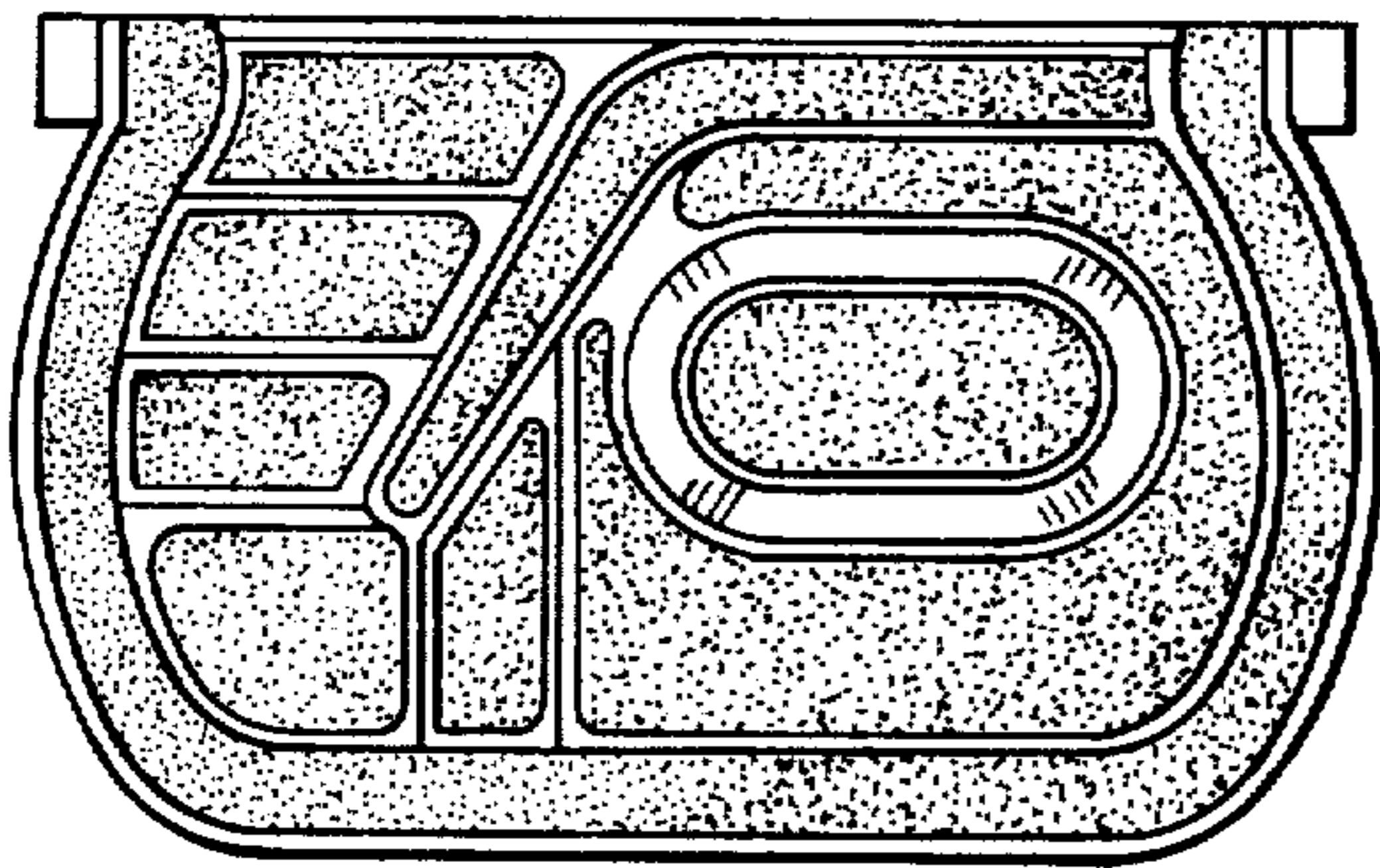


Fig. 1.

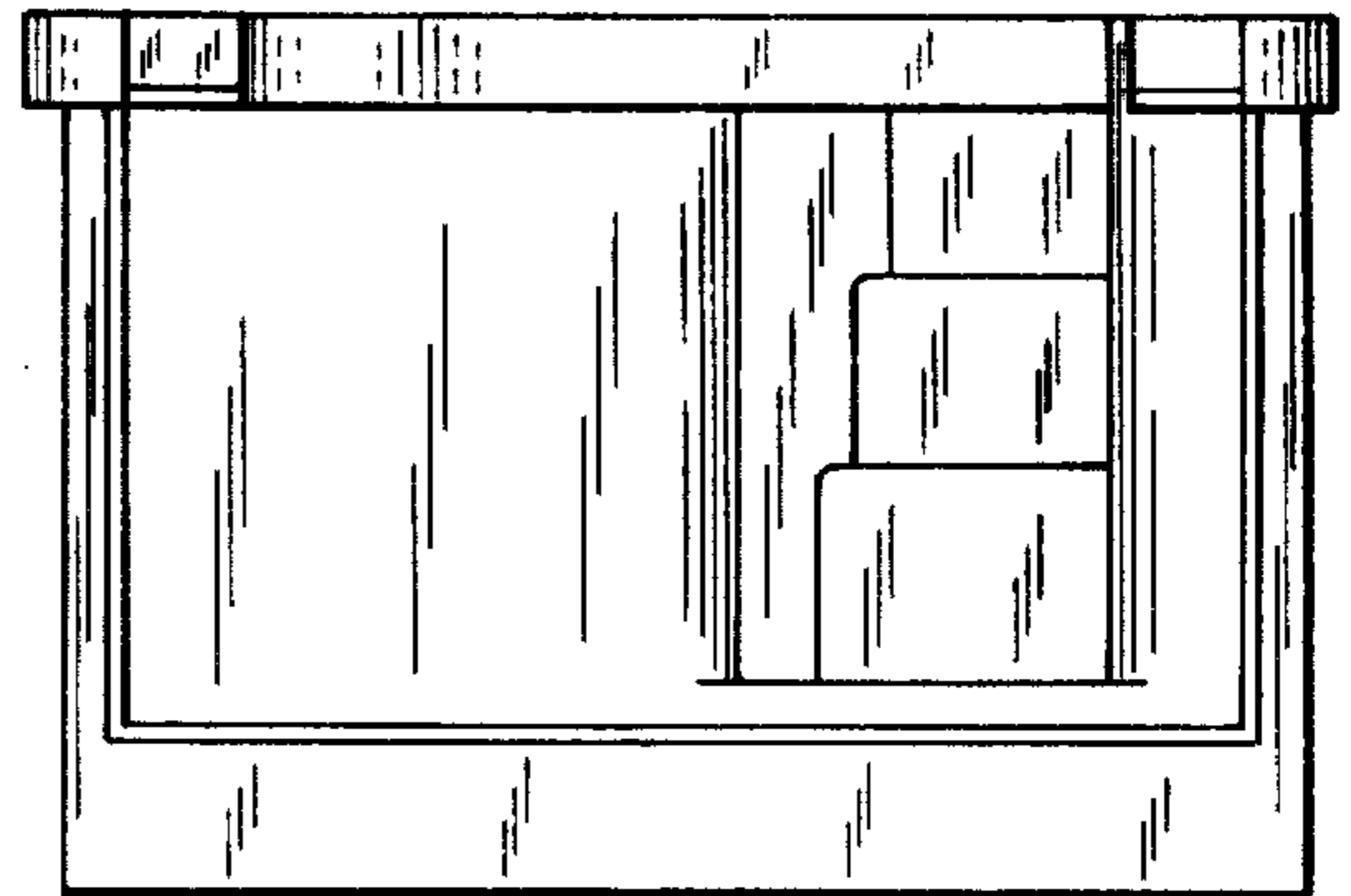


Fig. 2.

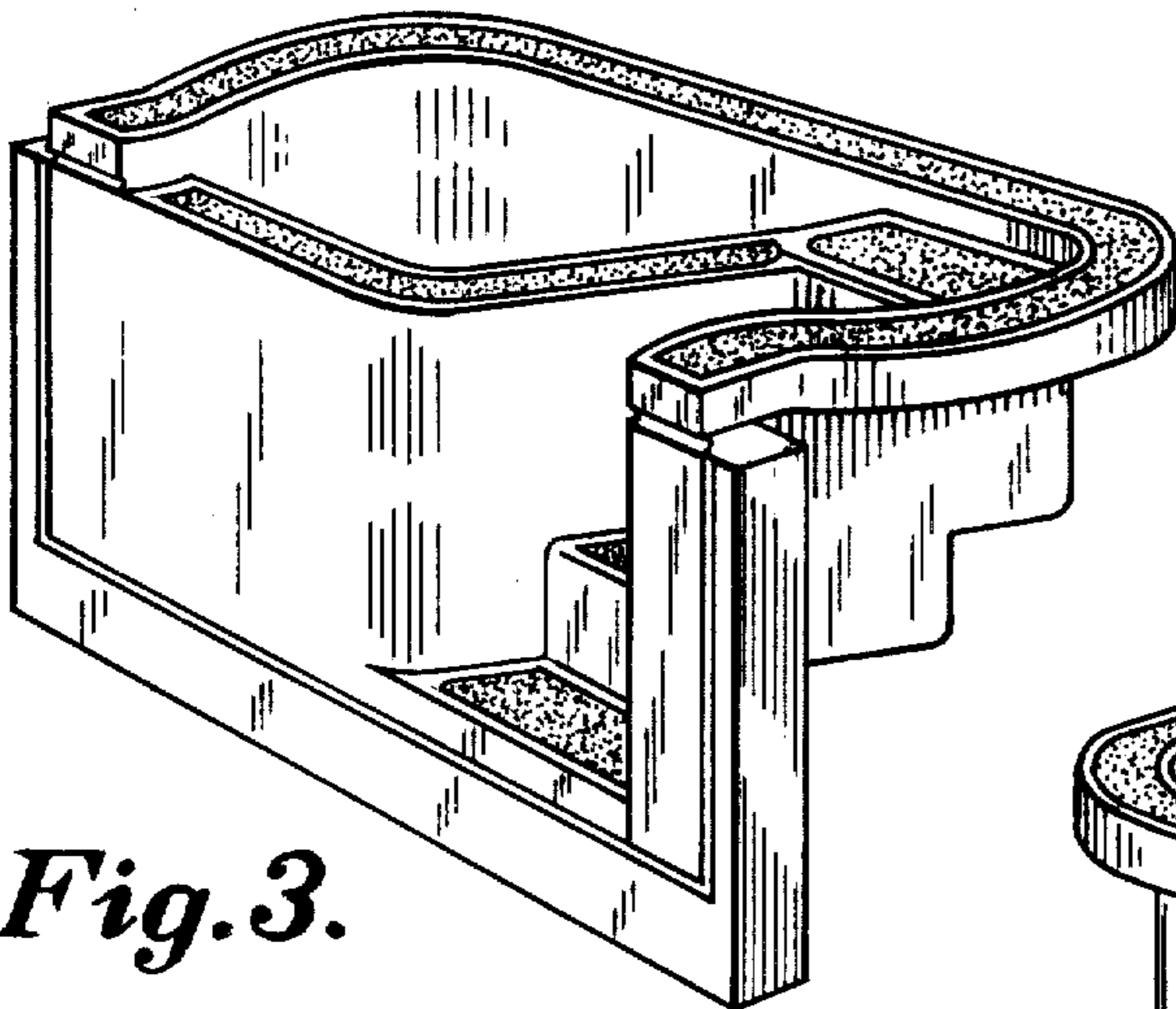


Fig. 3.

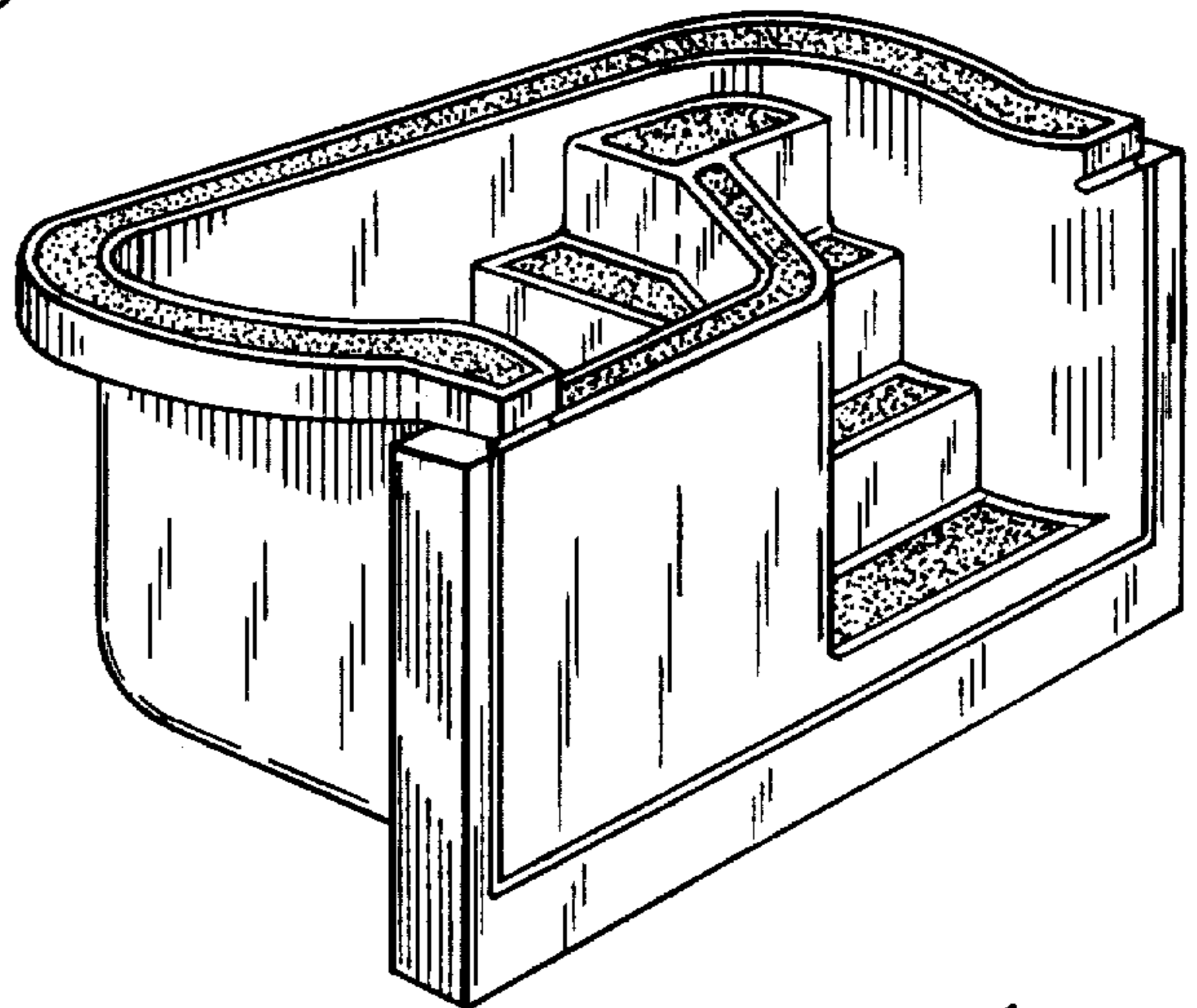


Fig. 4.

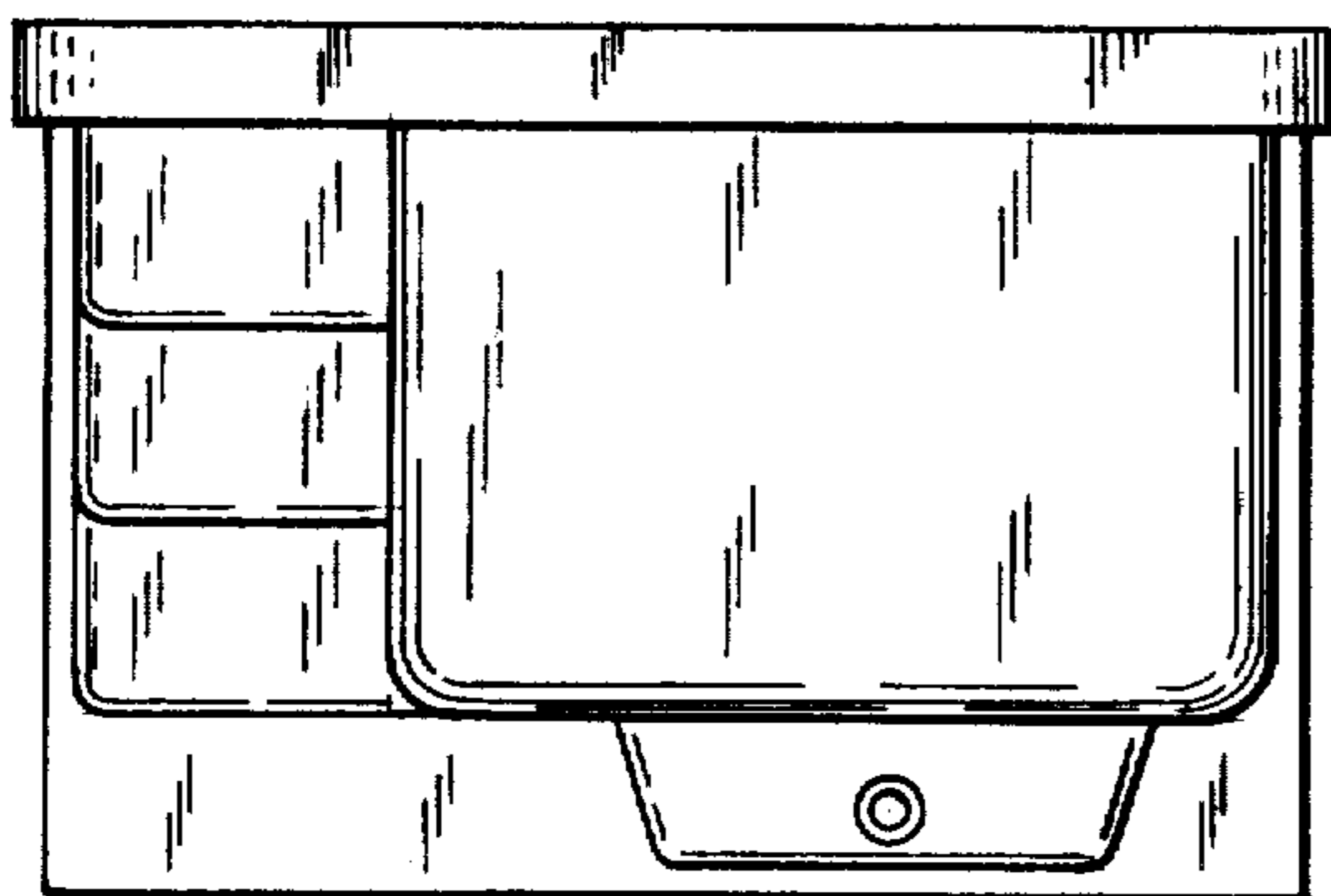


Fig. 5.