

[54] **COMBINED STOVE THERMOSTAT AND DAMPER SHIELDING HOUSING WITH NAMEPLATE SUPPORTING FLIP COVER**

4,011,801 3/1977 Bruni 98/40 D

[75] Inventor: **William H. Johnson**, Harrisonburg, Va.

Primary Examiner—A. Hugo Word
Attorney, Agent, or Firm—Mason, Fenwick & Lawrence

[73] Assignee: **Shenandoah Manufacturing Co., Inc.**, Harrisonburg, Va.

[57] **CLAIM**

[**] Term: **14 Years**

The ornamental design for a combined stove thermostat and damper shielding housing with nameplate supporting flip cover, as shown and described.

[21] Appl. No.: **57,332**

DESCRIPTION

[22] Filed: **Jul. 13, 1979**

[51] Int. Cl. **D23-03**

[52] U.S. Cl. **D23/137**

[58] Field of Search D23/110, 111, 112, 115, D23/127, 137, 92, 93; 98/116, 40 D, 40 V; 126/65, 285 R, 289, 290, 1.91; 239/556; 237/79

FIG. 1 is a front perspective view of a combined stove thermostat and damper shielding housing with nameplate supporting cover, viewed from one side and above the same, embodying my new design, and showing the flip cover in the normal down position;

FIG. 2 is a front elevation view from the other side and above the same, showing the flip cover in raised position;

FIG. 3 is a top plan view thereof;

FIG. 4 is a front elevation view thereof;

FIG. 5 is a side elevation view thereof, the opposite side being the mirror image thereof;

FIG. 6 is a bottom view thereof; and

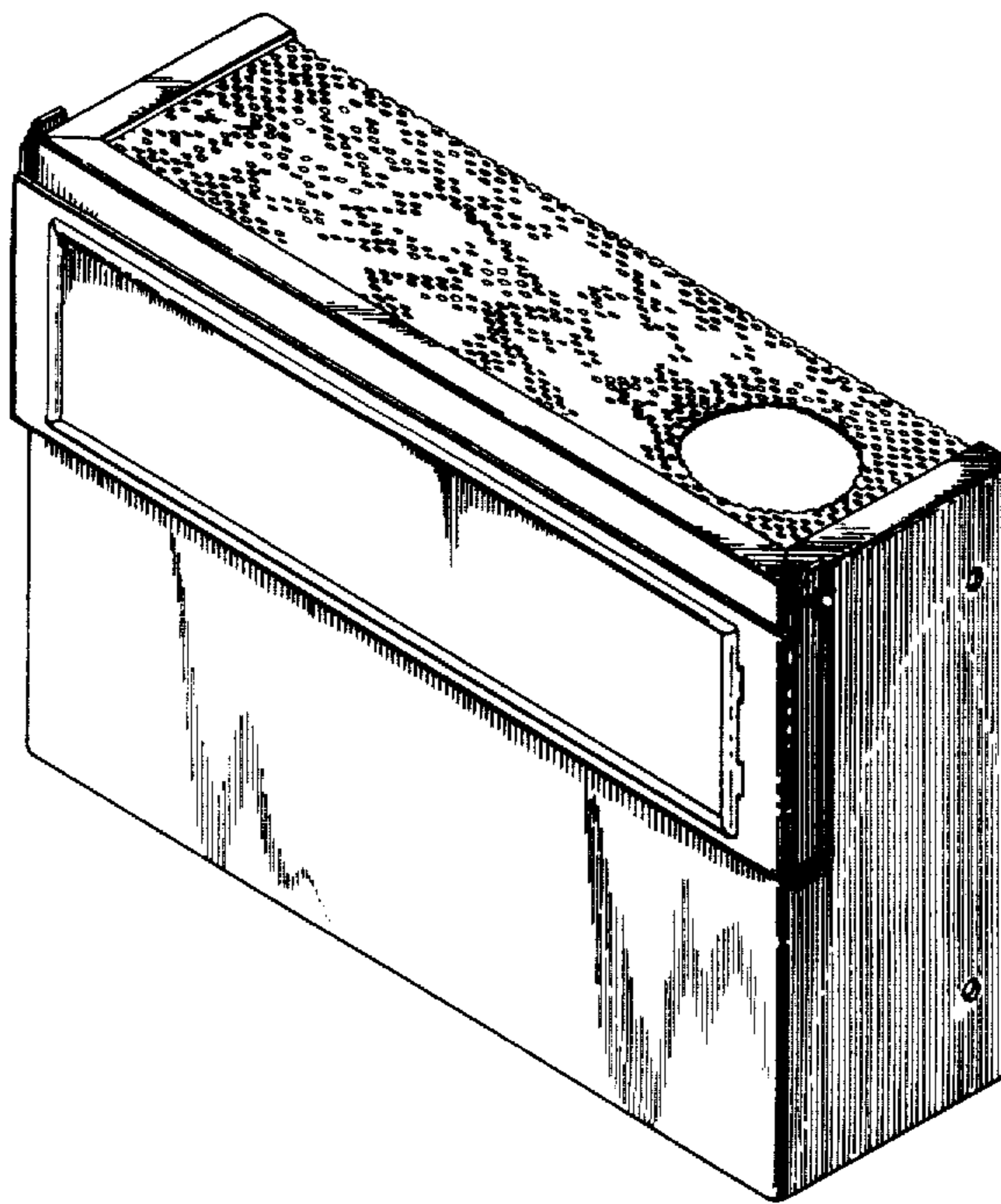
FIG. 7 is a rear view thereof.

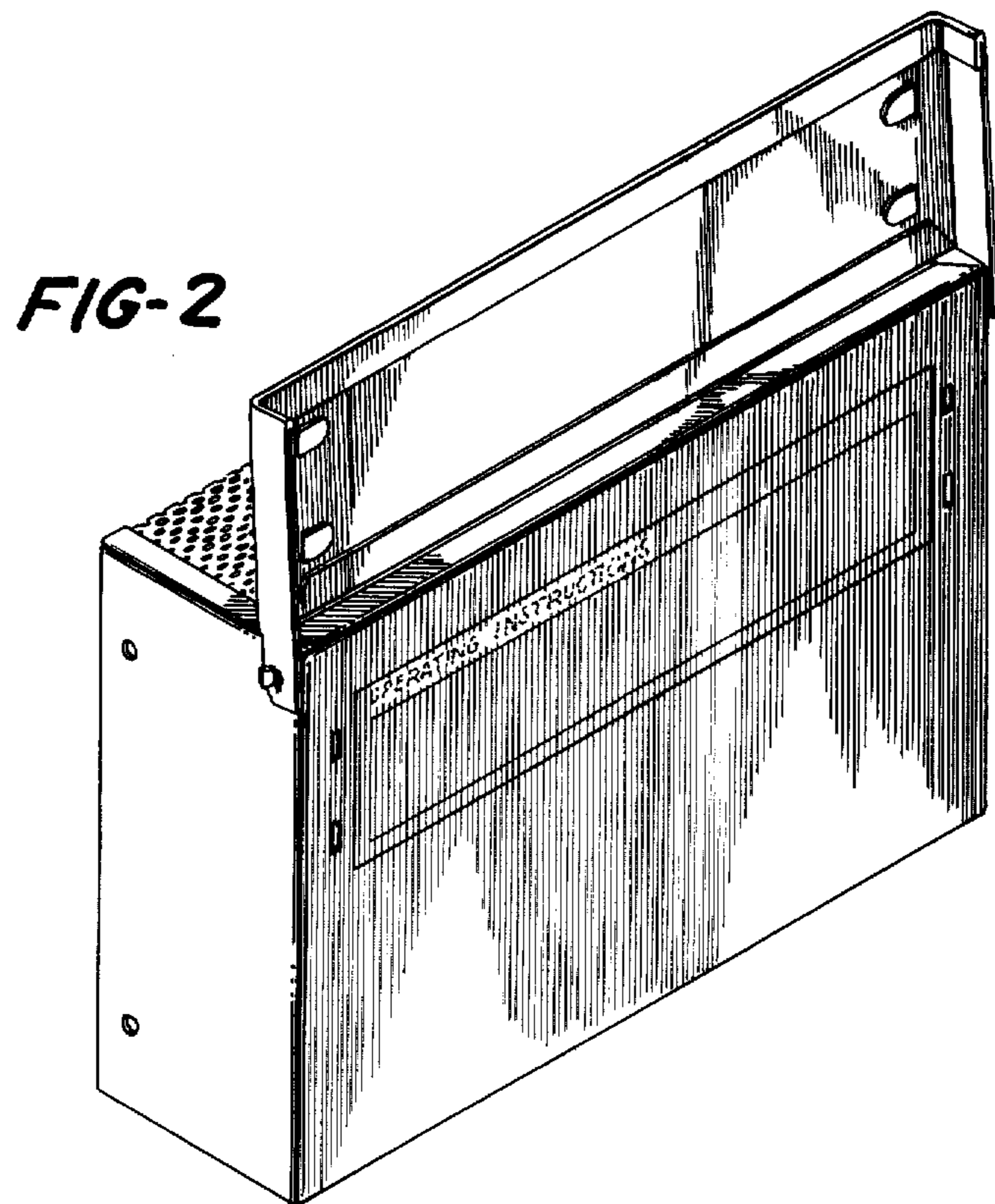
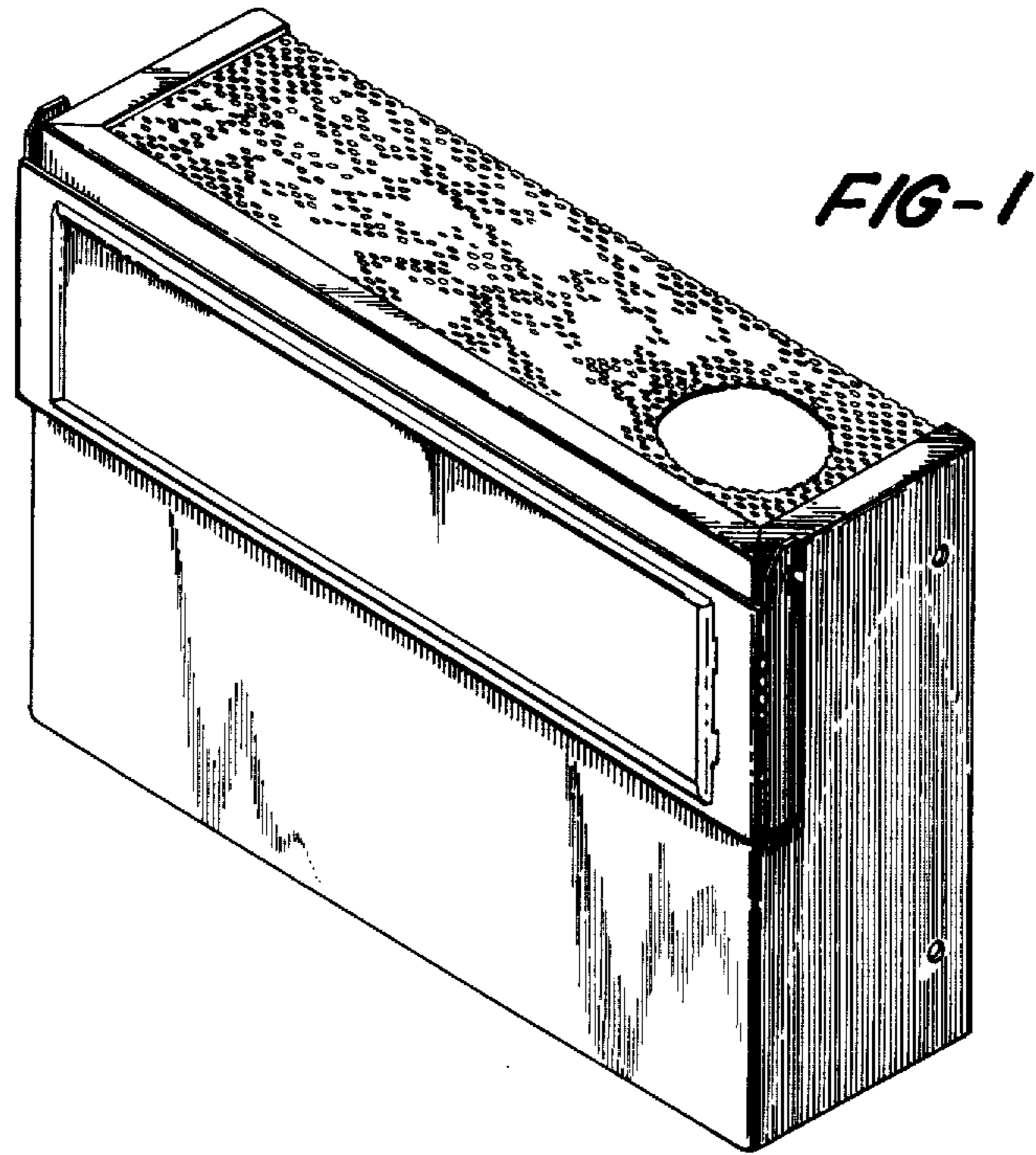
The broken lines shown in FIG. 2 are disclosed for illustrative purposes only.

[56] **References Cited**

U.S. PATENT DOCUMENTS

1,920,778	8/1933	Bennett	237/79
2,133,421	10/1938	Brown	126/65
2,157,307	5/1939	Savage	D23/92 X
3,111,075	11/1963	Hoyle et al.	98/40 V
3,174,594	3/1965	Krausz	237/79 X





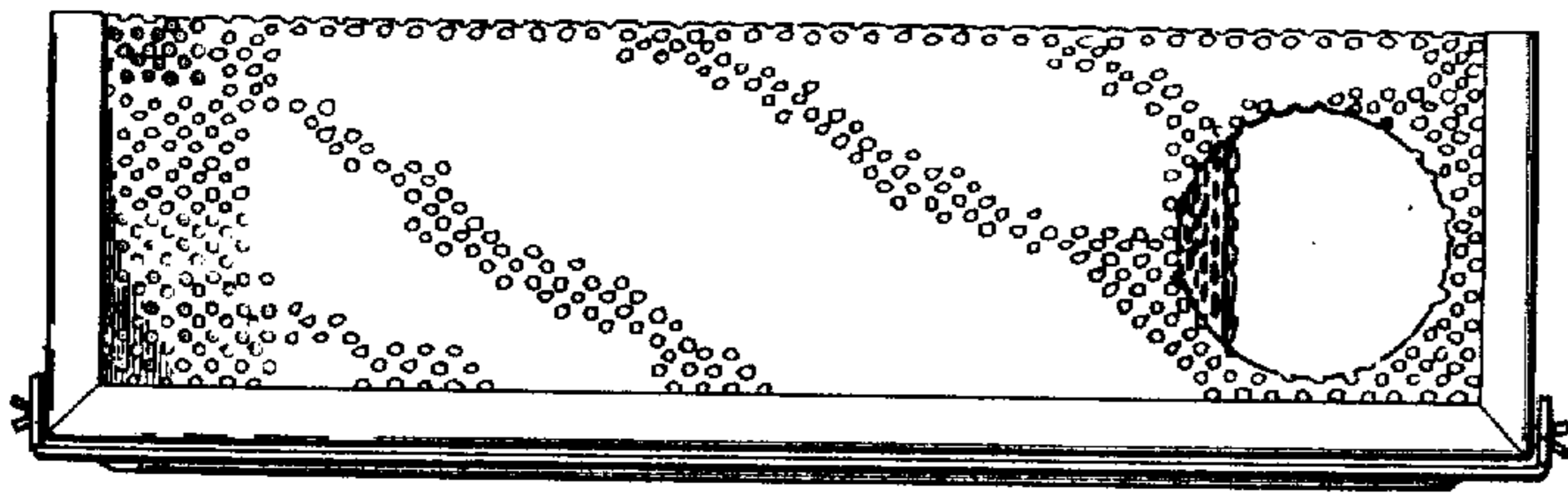


FIG-3

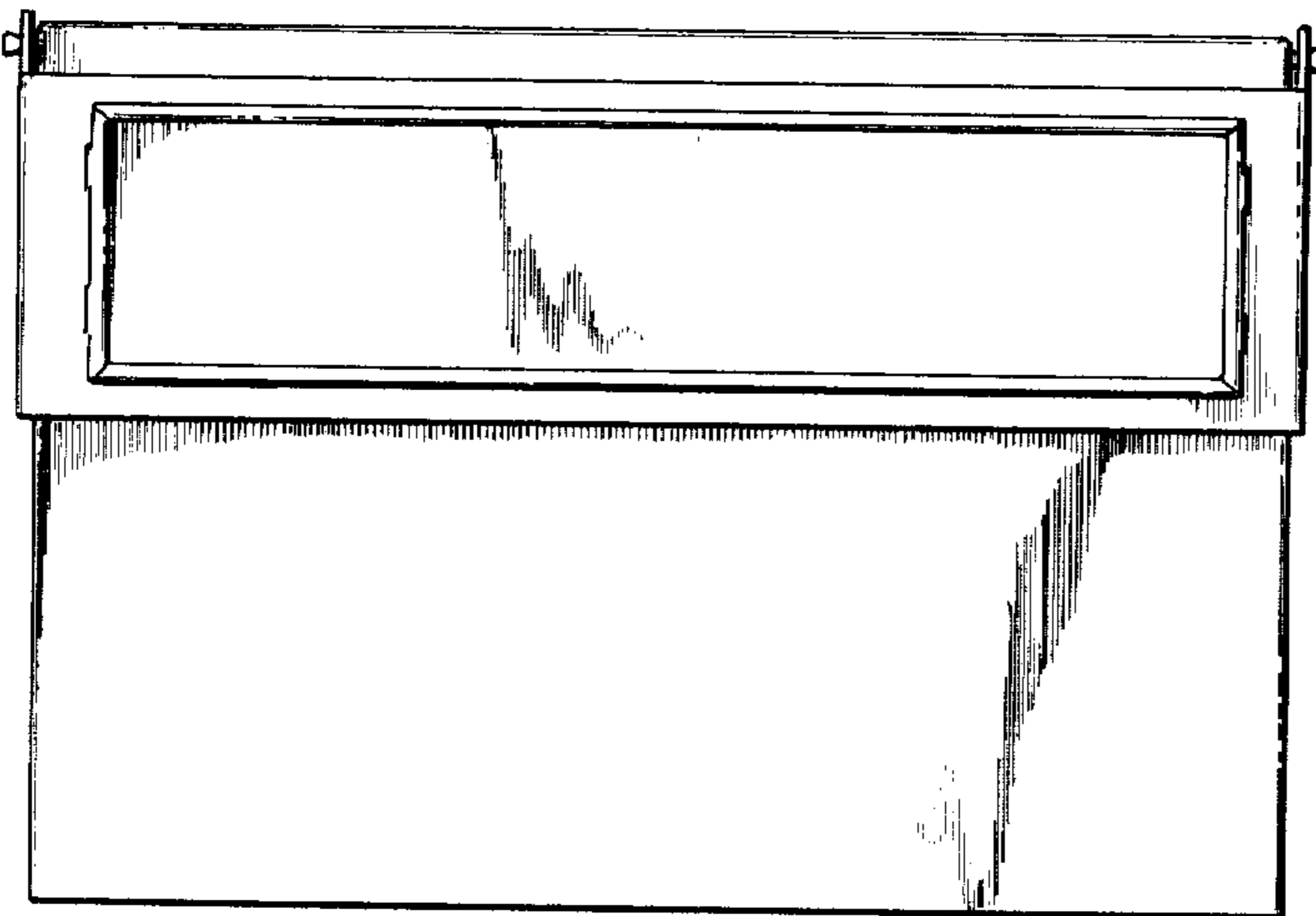


FIG-4

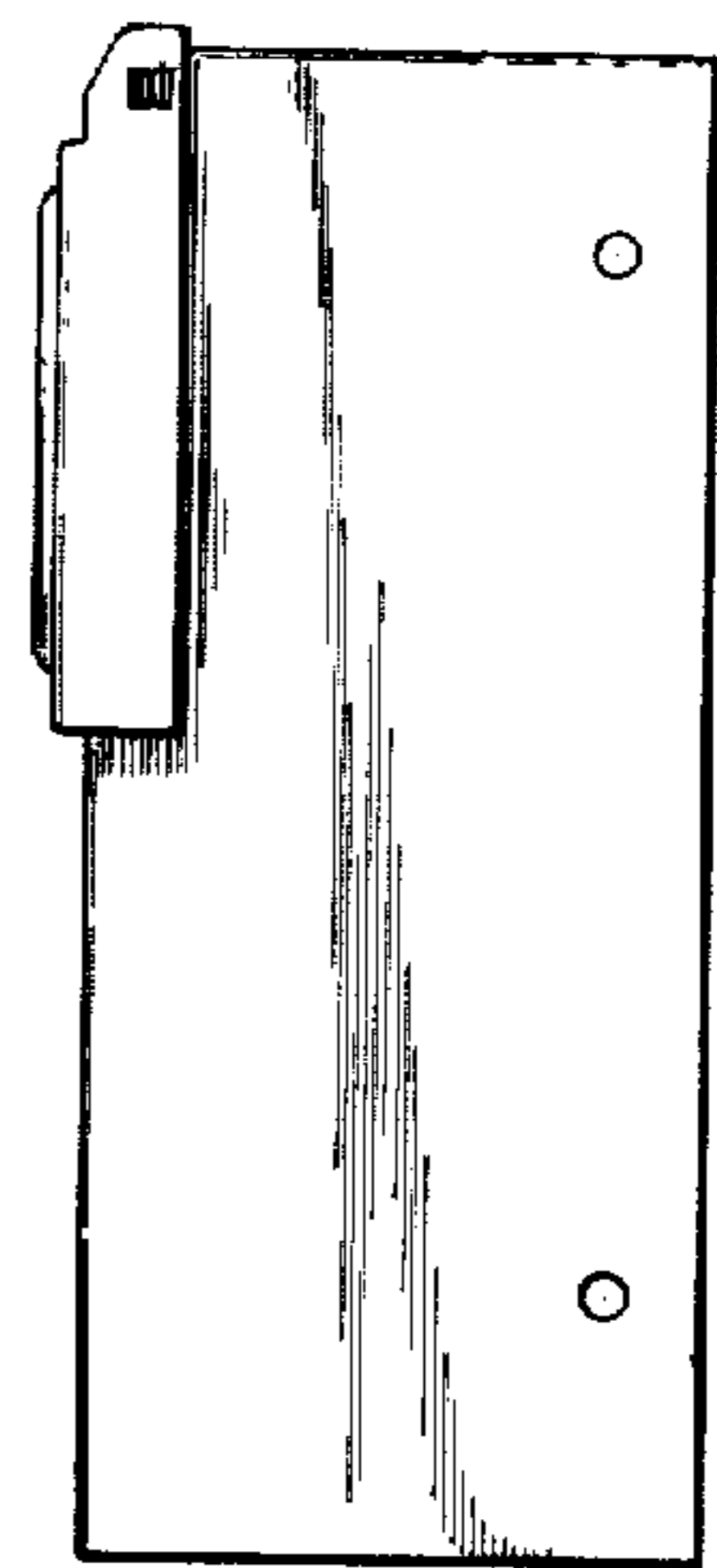


FIG-5

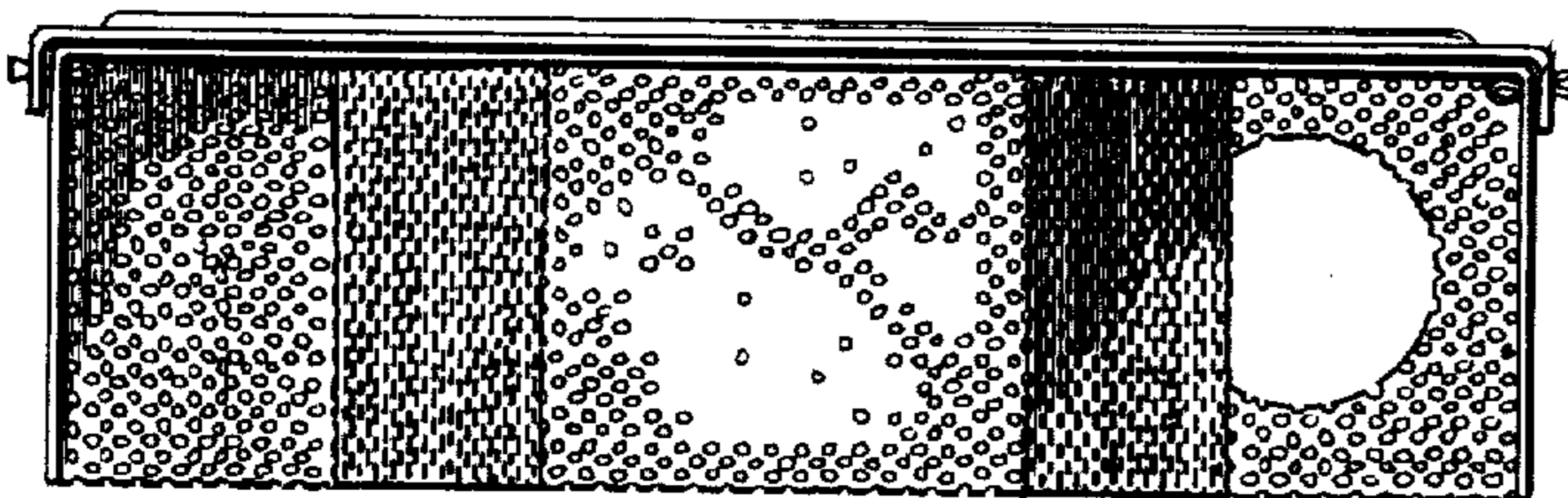


FIG-6

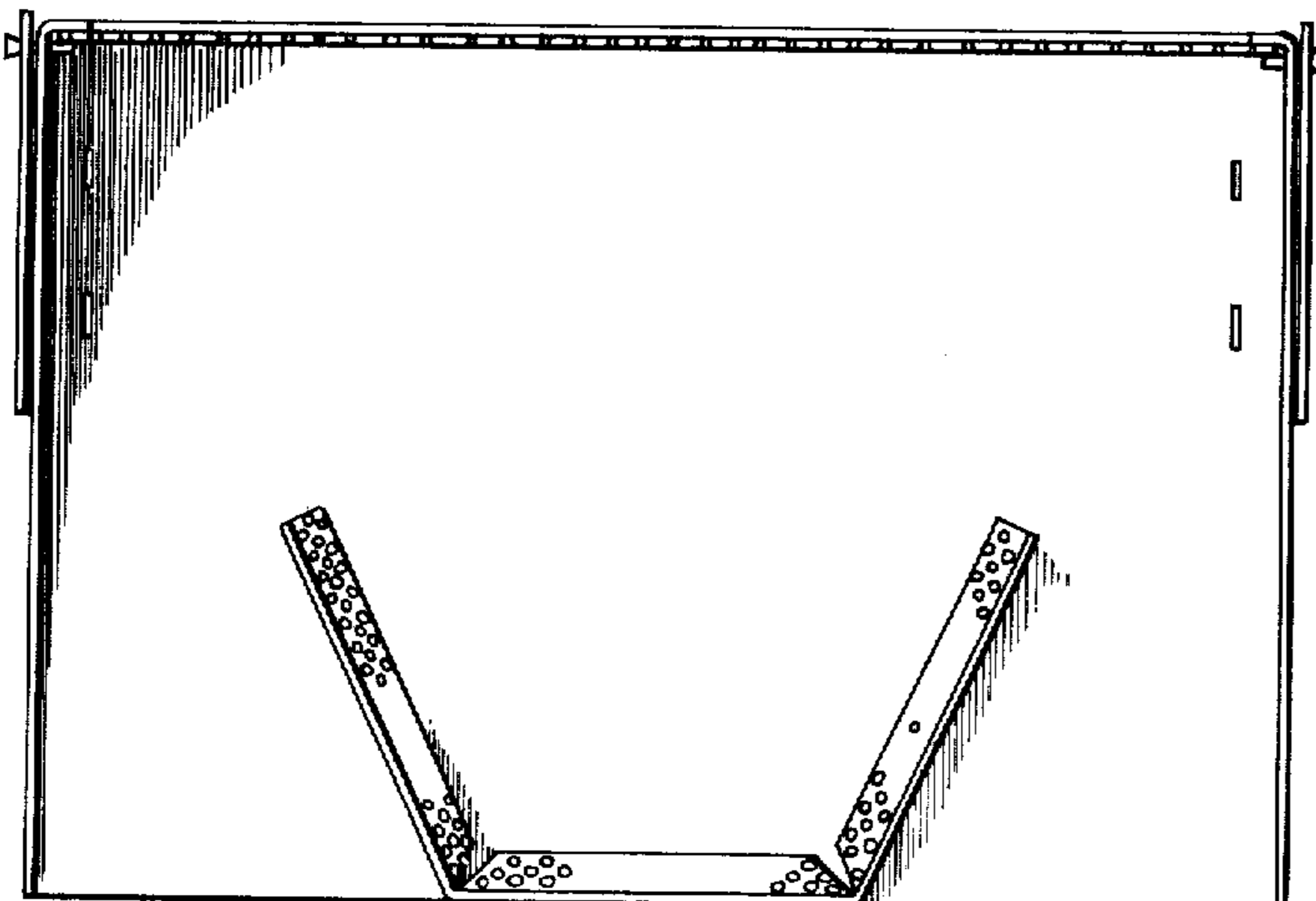


FIG-7