

[54] HEATER FRONT WITH DOORS

[75] Inventors: **Valentine J. Zimmerman; Mary H. Abel**, both of Galesville, Wis.

[73] Assignee: **E.K. Industries, Inc.**, Galesville, Wis.

[\*\*] Term: **14 Years**

[21] Appl. No.: **127,150**

[22] Filed: **Mar. 4, 1980**

[51] Int. Cl. .... **D23-03**

[52] U.S. Cl. .... **D23/128; D7/208**

[58] Field of Search ..... **D23/72, 92-97, D23/127, 128, 105; D7/208; 126/4, 6, 58, 60-66, 120, 121, 123, 126, 138, 190, 200, 202**

[56] **References Cited**

**U.S. PATENT DOCUMENTS**

- D. 42,789 7/1912 Stickley ..... D6/208
- D. 231,933 6/1974 Andrew ..... D23/97

- D. 251,012 2/1979 Owen, Jr. .... D23/97
- D. 251,797 5/1979 Andersen et al. .... D23/97
- D. 258,684 3/1981 Christophel ..... D23/97
- 1,645,244 10/1927 Klemme ..... 126/200

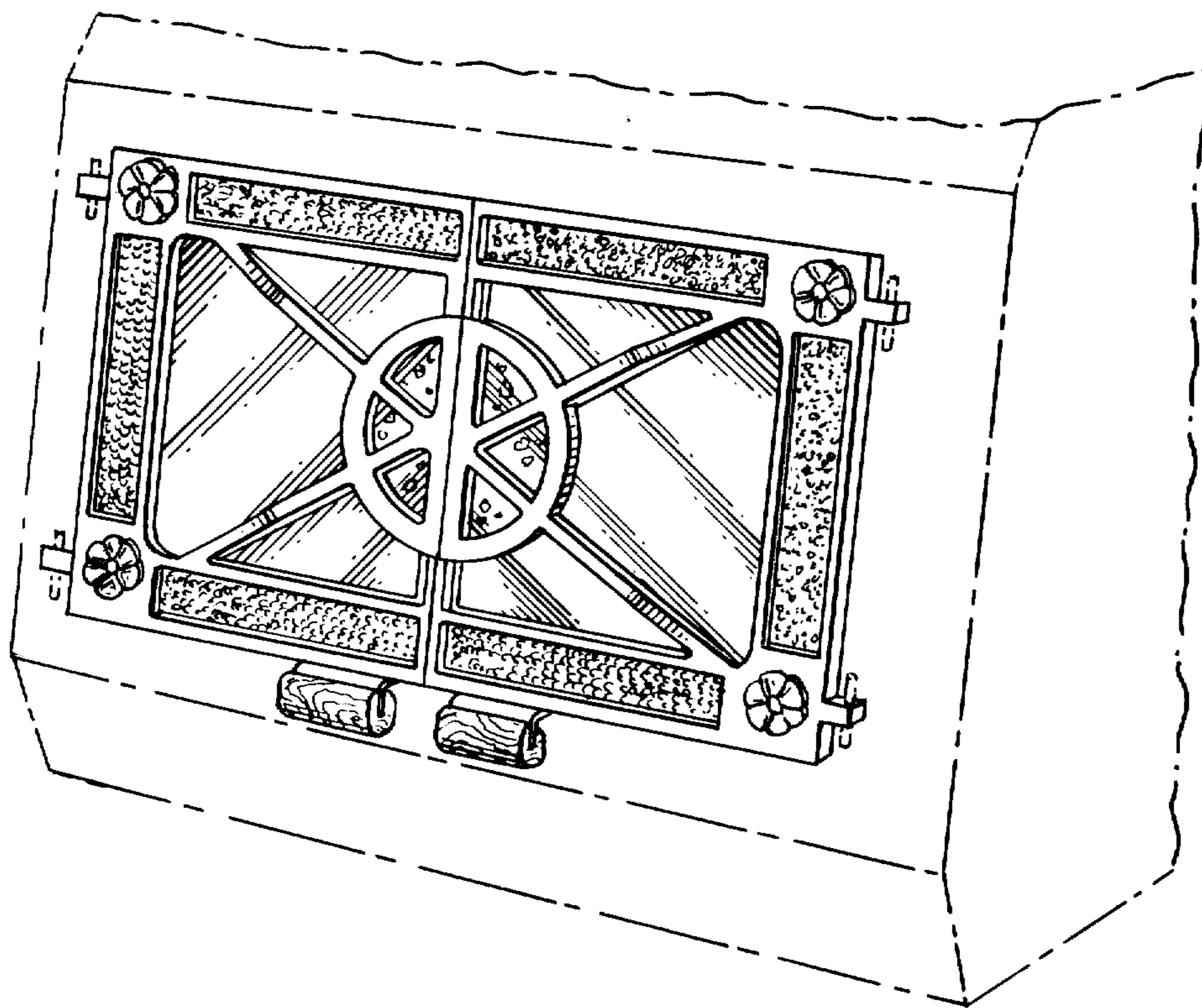
*Primary Examiner*—Catherine E. Kemper  
*Attorney, Agent, or Firm*—Sixbey, Friedman & Leedom

[57] **CLAIM**

The ornamental design for a heater front with doors, as shown.

**DESCRIPTION**

FIG. 1 is a front perspective view of a heater front with doors, showing our new design;  
 FIG. 2 is a left side elevational view thereof;  
 FIG. 3 is a rear elevational view thereof;  
 FIG. 4 is a top plan view thereof;  
 FIG. 5 is a bottom plan view thereof.  
 The broken line disclosure of a part of a stove in FIG. 1 is for illustrative purposes only and forms no part of the claimed design.



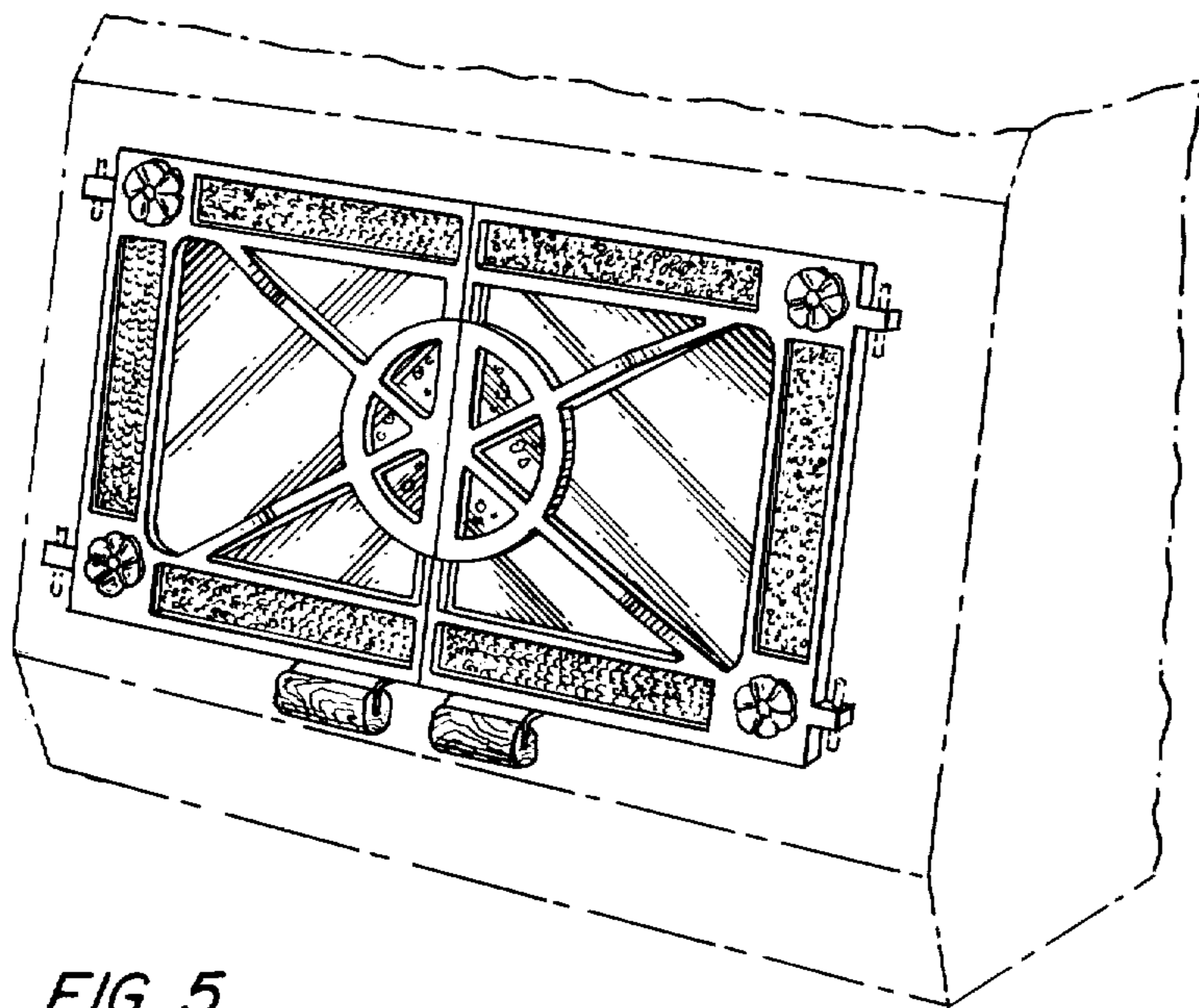


FIG. 1.

FIG. 5.

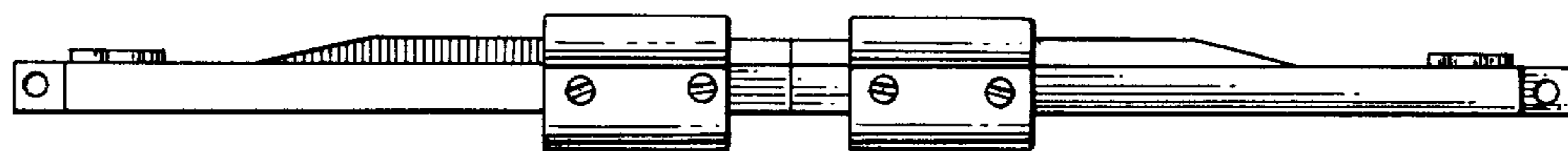


FIG. 4.

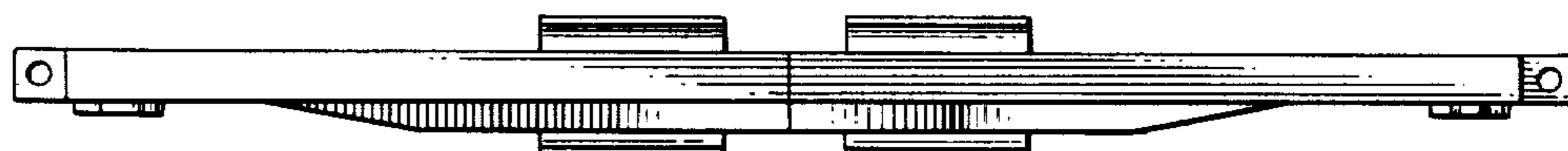


FIG. 2.

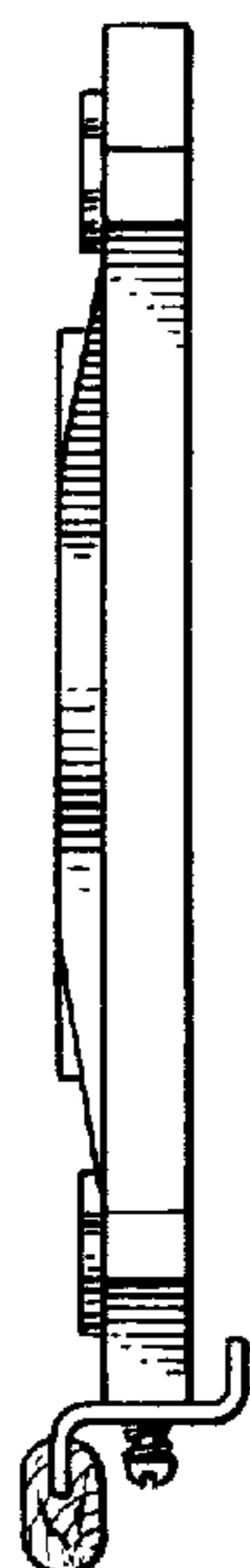


FIG. 3.

