

[54] FLUE COLLAR FOR A WOOD BURNING STOVE

[75] Inventor: Duncan C. Syme, Chelsea, Vt.

[73] Assignee: Vermont Castings, Inc., Randolph, Vt.

[\*\*] Term: 14 Years

[21] Appl. No.: 86,518

[22] Filed: Oct. 19, 1979

[51] Int. Cl. .... D23-03

[52] U.S. Cl. .... D23/127

[58] Field of Search .... D23/40-47, D23/72, 127, 139, 151, 152, 163, 167; 126/82, 121, 123, 124, 126, 127, 307 R, 314, 317, 318; 285/176

[56] References Cited

U.S. PATENT DOCUMENTS

D. 248,770	8/1978	Michaelsen	.....	D23/127
D. 250,203	11/1978	Syme	.....	D23/97
D. 250,539	12/1978	Twiss et al.	.....	D23/97
407,707	7/1889	Utter	.....	126/82
2,026,387	12/1935	Jackes et al.	.....	126/65
2,709,999	6/1955	Nagel	.....	126/307 R
4,261,325	4/1981	Duncan et al.	.....	126/315 X

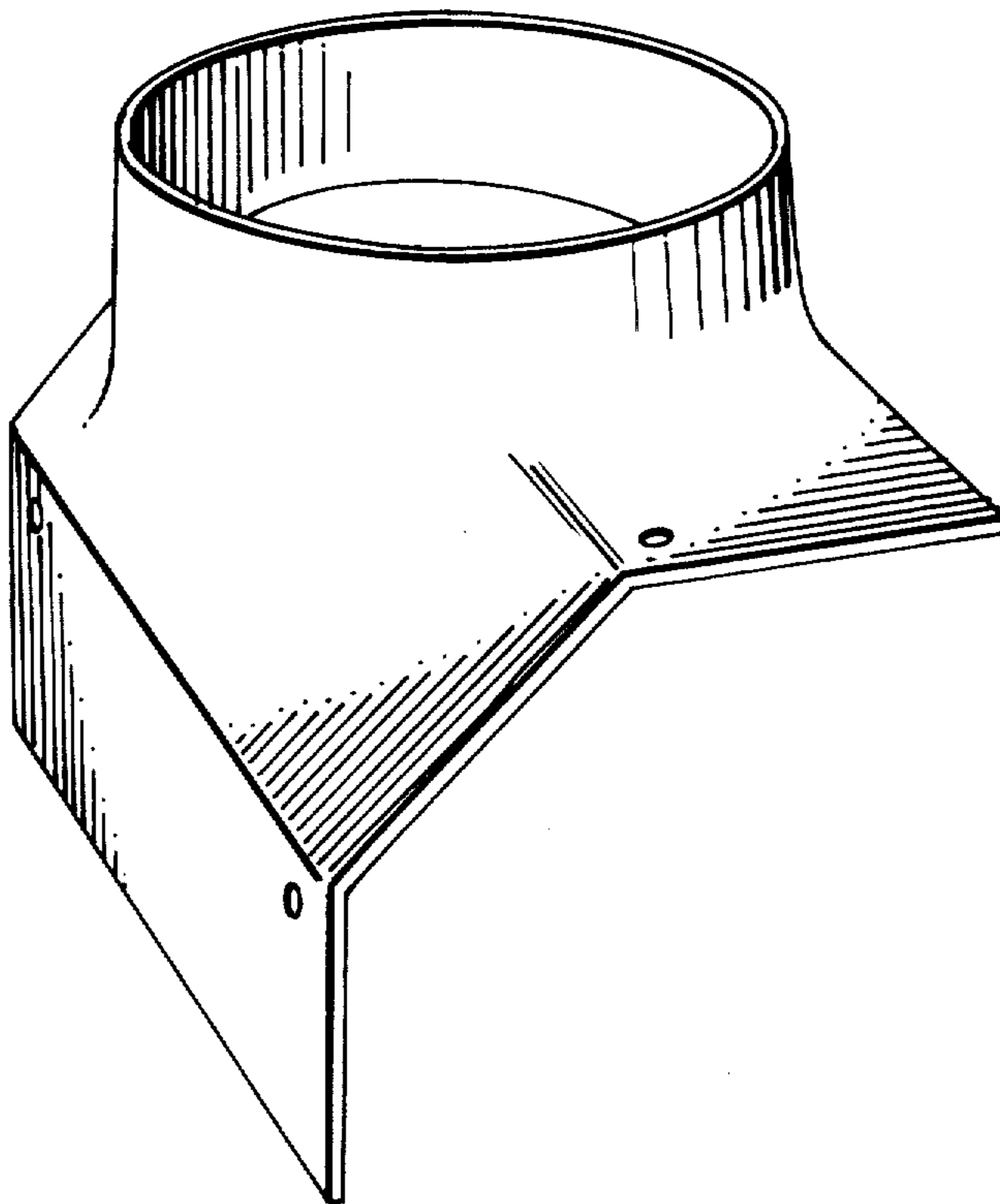
Primary Examiner—James R. Largen  
Attorney, Agent, or Firm—Kenway & Jenney

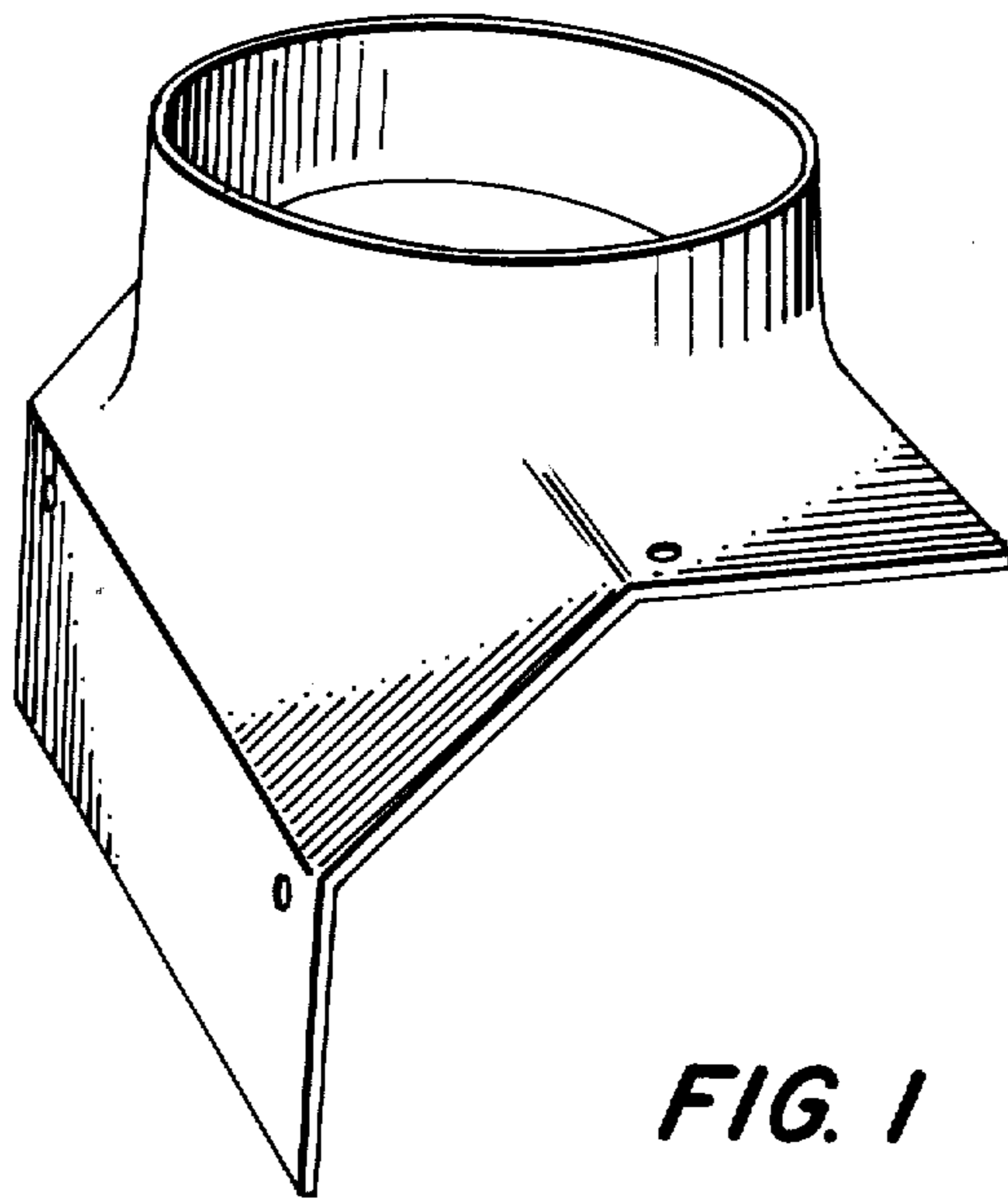
[57] CLAIM

The ornamental design for a flue collar for a wood burning stove, as shown.

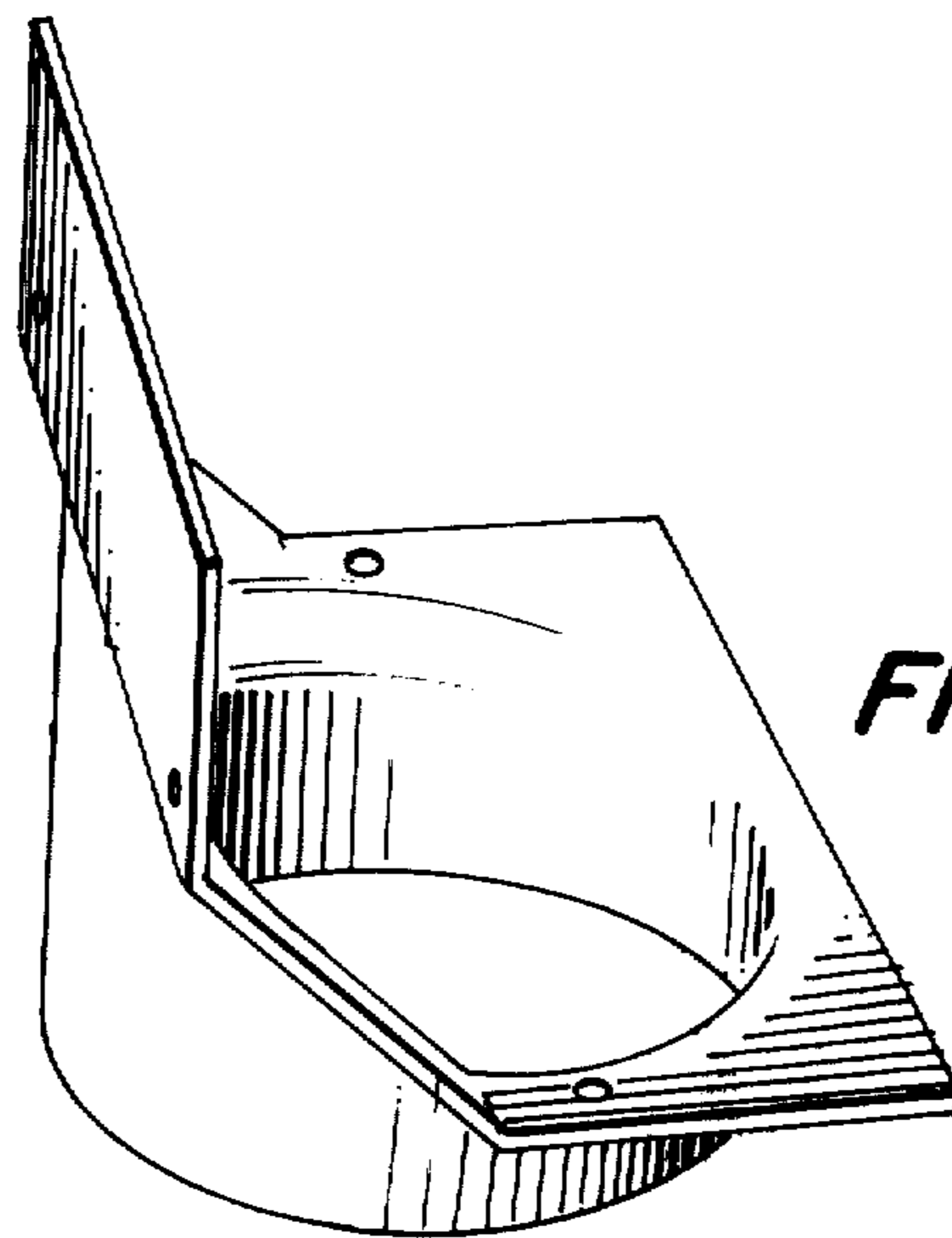
DESCRIPTION

FIG. 1 is a top perspective view of a flue collar for a wood burning stove showing my new design; and FIG. 2 is a bottom perspective view thereof.





*FIG. 1*



*FIG. 2*