

[54] WELDING OUTLET

[75] Inventor: Bobby W. Ryan, Houston, Tex.

[73] Assignee: WFI International, Inc., Houston, Tex.

[\*\*] Term: 14 Years

[21] Appl. No.: 61,040

[22] Filed: Jul. 26, 1979

[51] Int. Cl. .... D23-01

[52] U.S. Cl. .... D23/40

[58] Field of Search .... D23/40-45;  
285/189, 286

[56] References Cited

U.S. PATENT DOCUMENTS

D. 187,207	2/1960	Fabian	.....	D23/45
D. 238,876	2/1976	Andersson	.....	D23/43
D. 243,456	2/1977	Ryan	.....	D23/40
D. 243,457	2/1977	Ryan	.....	D23/40
D. 254,266	2/1980	Tableriou	.....	D23/40
1,872,357	8/1932	Straty	.....	285/189
1,883,439	10/1932	Adams	.....	285/189

2,015,246	9/1935	Taylor	.....	285/189
2,495,615	1/1956	Vander Clute	.....	285/189 X
2,981,556	4/1961	Jackson	.....	285/189 X
3,026,130	3/1962	Morrell	.....	285/286 X
4,103,940	8/1978	Bills	.....	285/189

Primary Examiner—James R. Largen  
Attorney, Agent, or Firm—Pravel, Gambrell, Hewitt, Kirk, Kimball & Dodge

[57] CLAIM

The ornamental design for a welding outlet, substantially as shown and described.

DESCRIPTION

FIG. 1 is a side elevational view of a welding outlet showing my new design, the opposite side being the same as the side shown;

FIG. 2 is a side elevational view taken 90° to the side shown in FIG. 1, the opposite side being the same as the side shown;

FIG. 3 is a top plan view thereof;

FIG. 4 is an isometric view taken from the top thereof; and

FIG. 5 is a bottom plan view thereof.

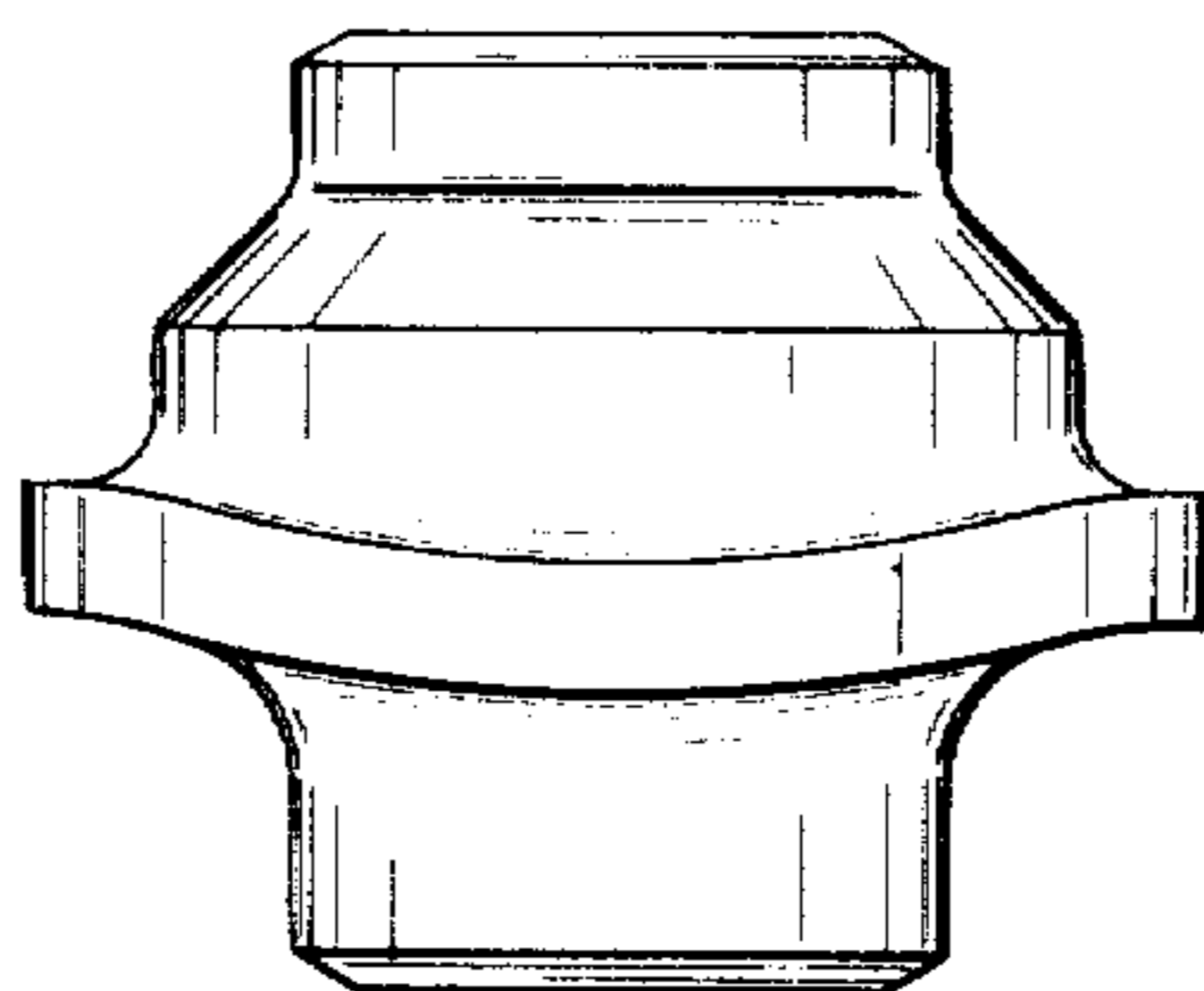
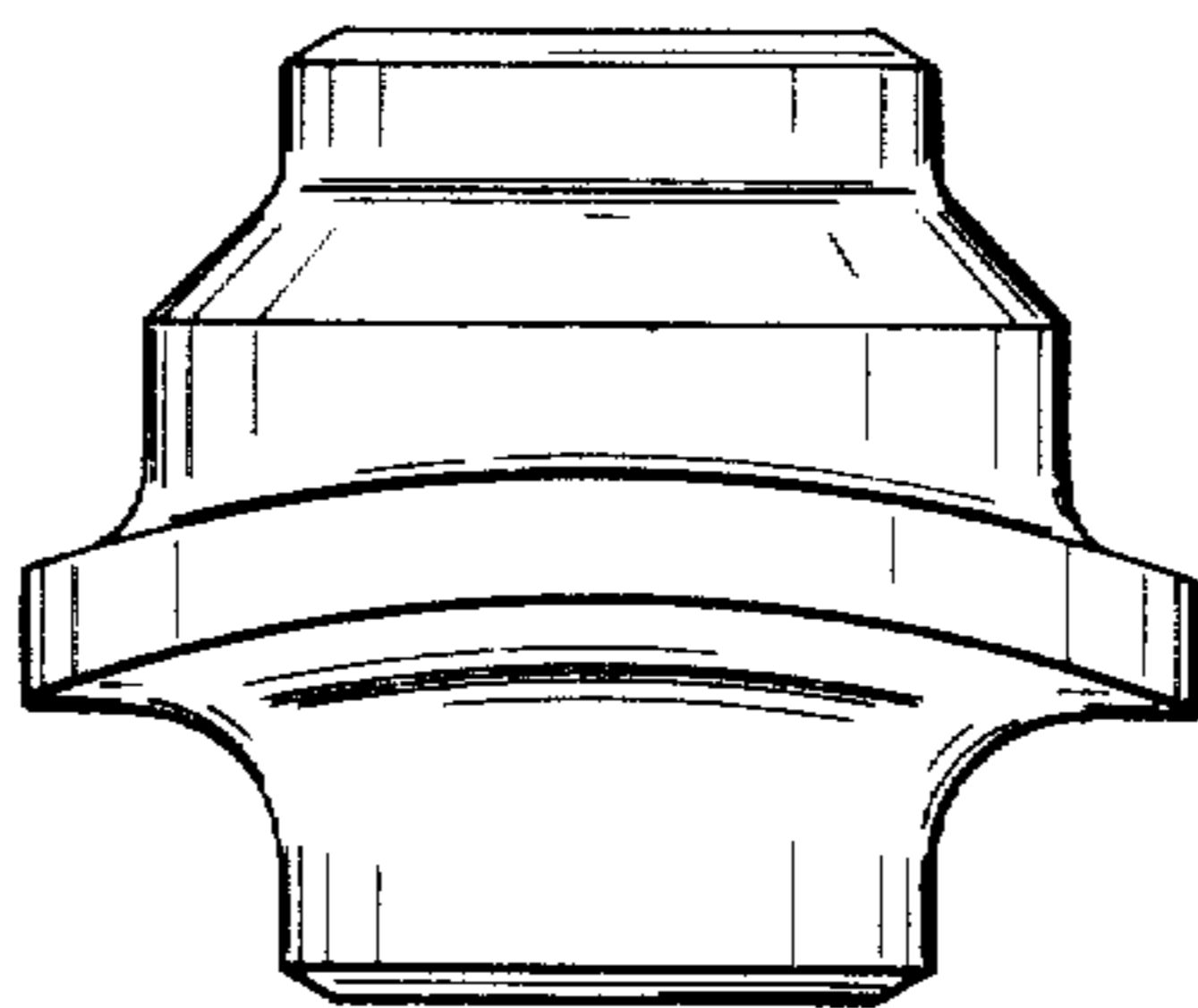


FIG. 1

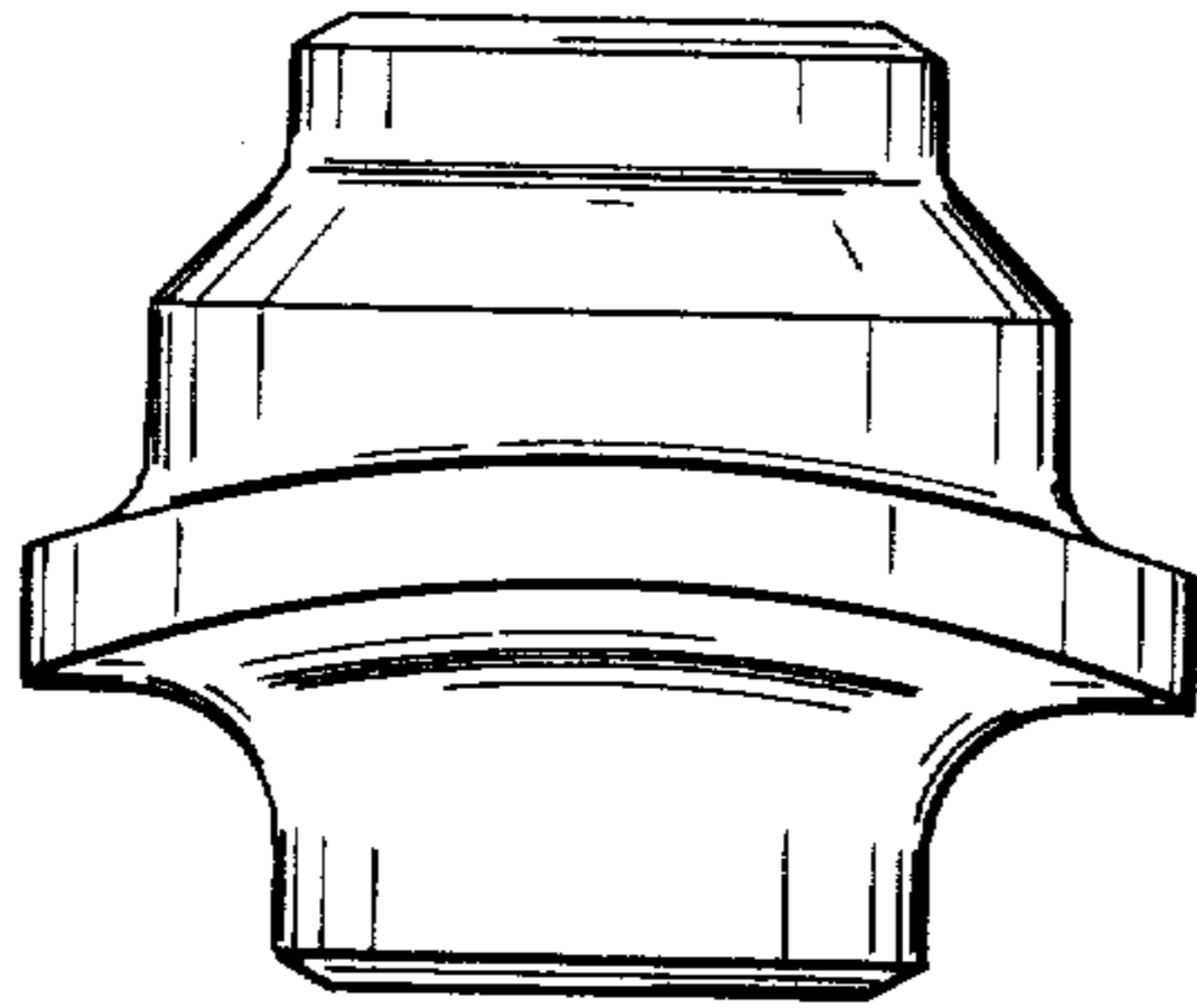


FIG. 2

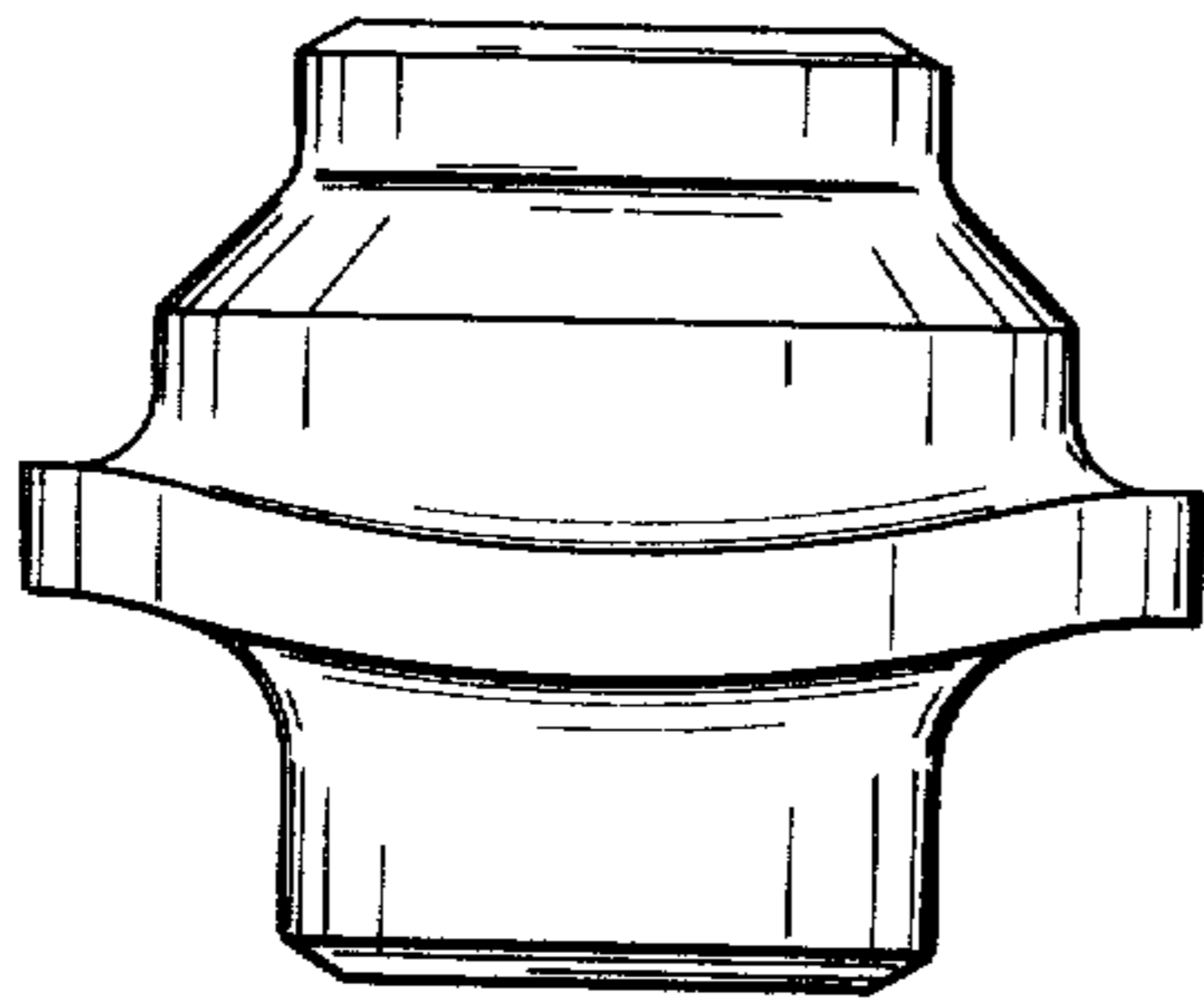


FIG. 3

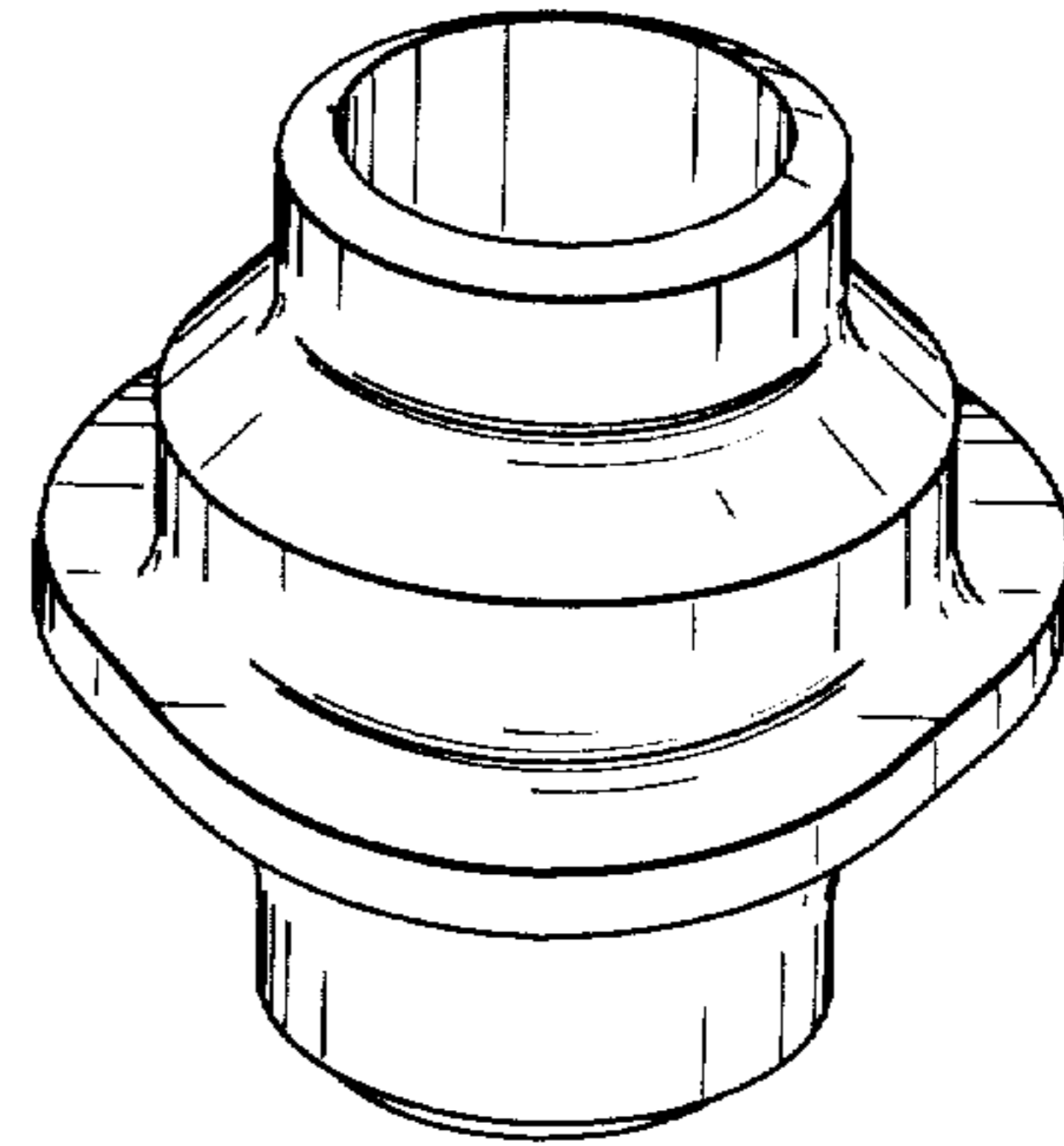
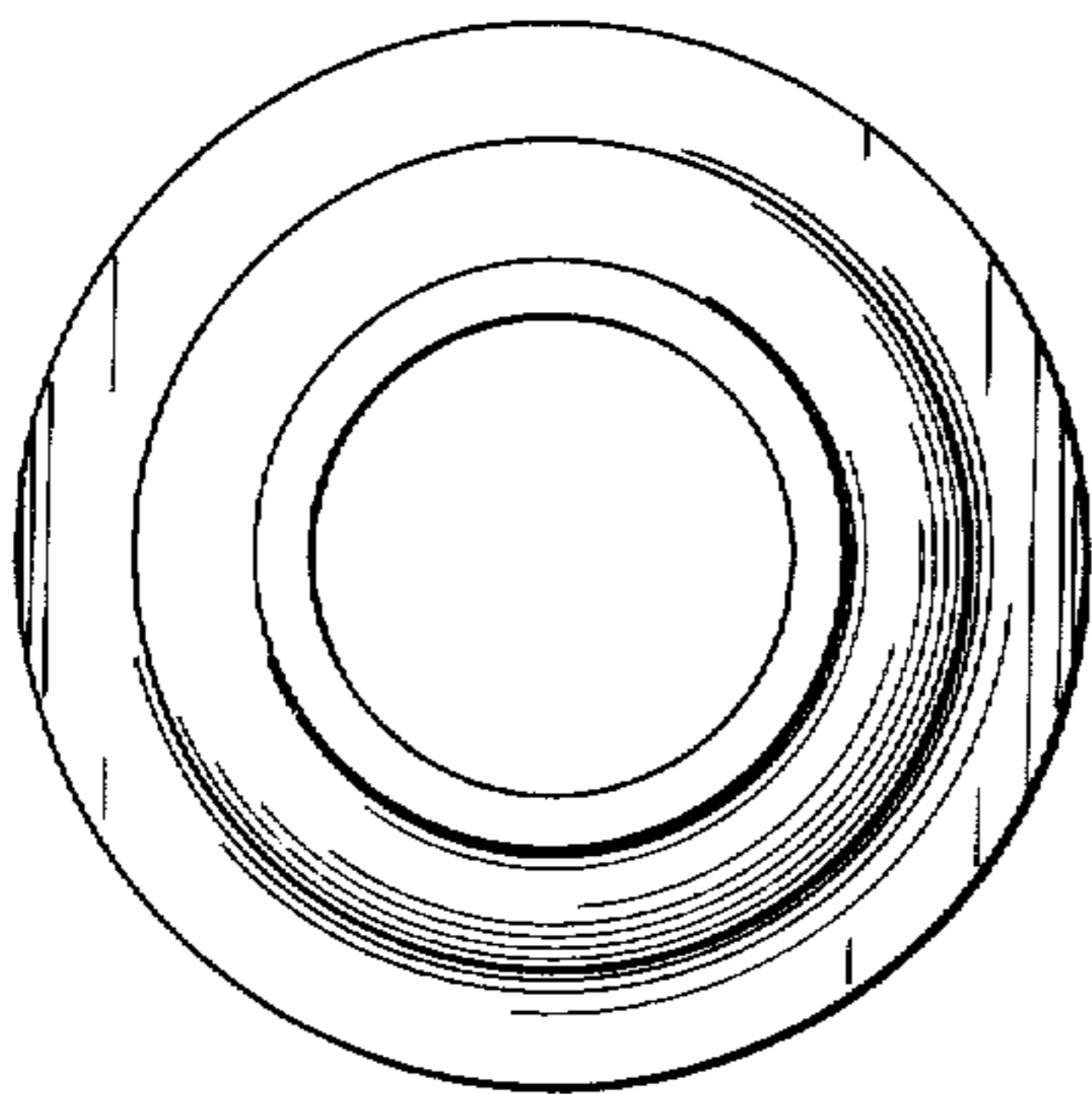


FIG. 4

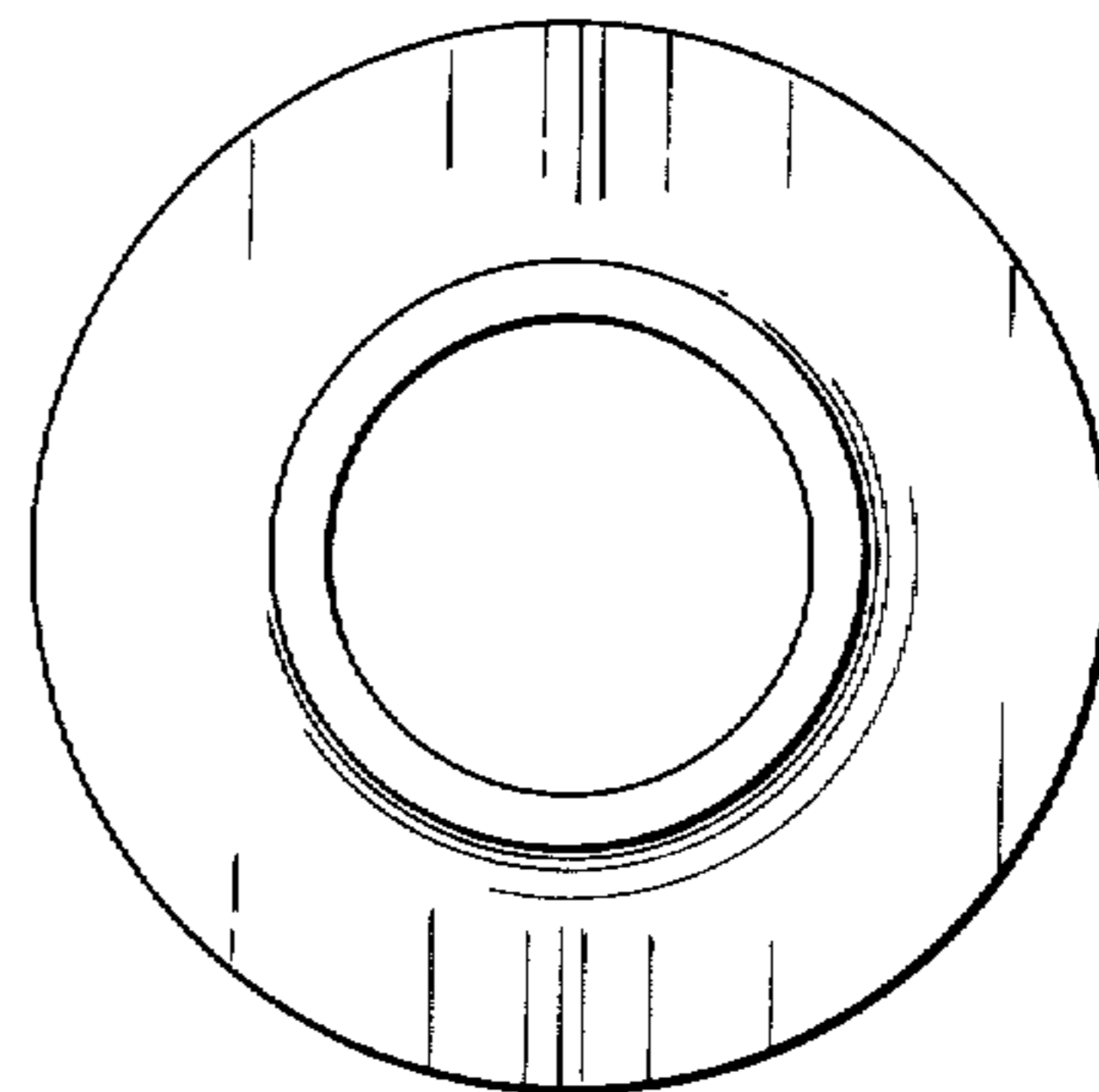


FIG. 5

