

[54] SHOWER HEAD

[76] Inventor: Wilbur W. Whedon, 49 Cherryfield Dr., West Hartford, Conn. 06107

[\*\*] Term: 14 Years

[21] Appl. No.: 59,462

[22] Filed: Jul. 20, 1979

[51] Int. Cl. .... D23-01

[52] U.S. Cl. .... D23/35

[58] Field of Search ..... D23/34, 35; 239/499, 239/587

2,529,223 11/1950 Moen ..... 239/587 X  
2,985,385 5/1961 Bowers et al. .... 239/587 X  
4,082,225 4/1978 Haynes ..... 239/499 X

OTHER PUBLICATIONS

Domestic Engineering, May 1960, p. 165, "Shower Head" Item.

Primary Examiner—James R. Lergen  
Attorney, Agent, or Firm—Prutzman, Kalb, Chilton & Alix

[57] CLAIM

The ornamental design of a shower head, substantially as shown.

[56] References Cited

U.S. PATENT DOCUMENTS

- D. 95,823 6/1935 Hathaway et al. .... D23/35
- D. 191,428 9/1961 Leighton ..... D23/35
- D. 206,515 12/1966 Isanberg ..... D23/35
- D. 251,983 5/1979 Dunkin ..... D23/35

DESCRIPTION

FIG. 1 is a side elevational view of a shower head showing my new design;  
FIG. 2 is a bottom plan view thereof;  
FIG. 3 is a top plan view thereof; and  
FIG. 4 is an isometric view thereof.

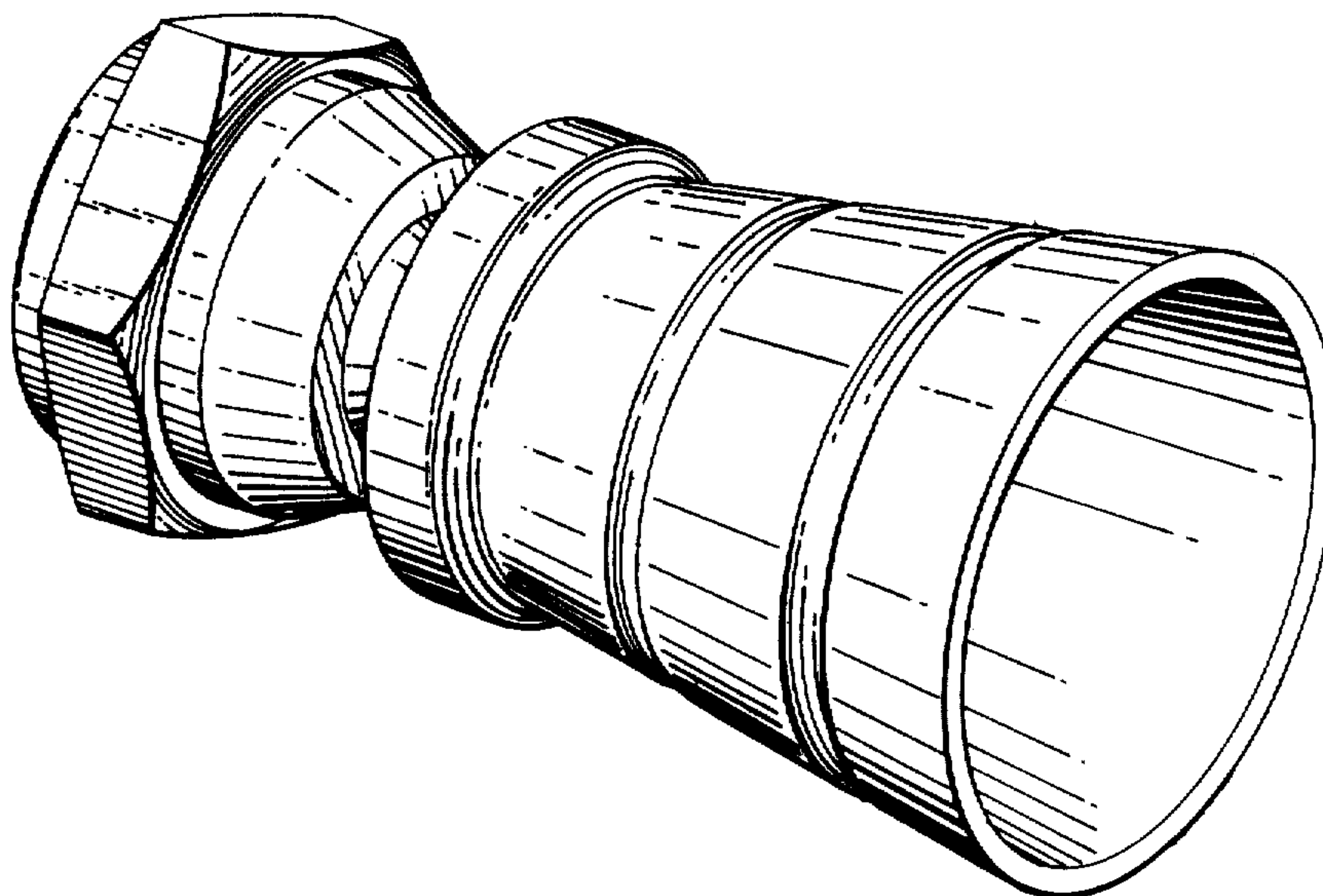


FIG. 1

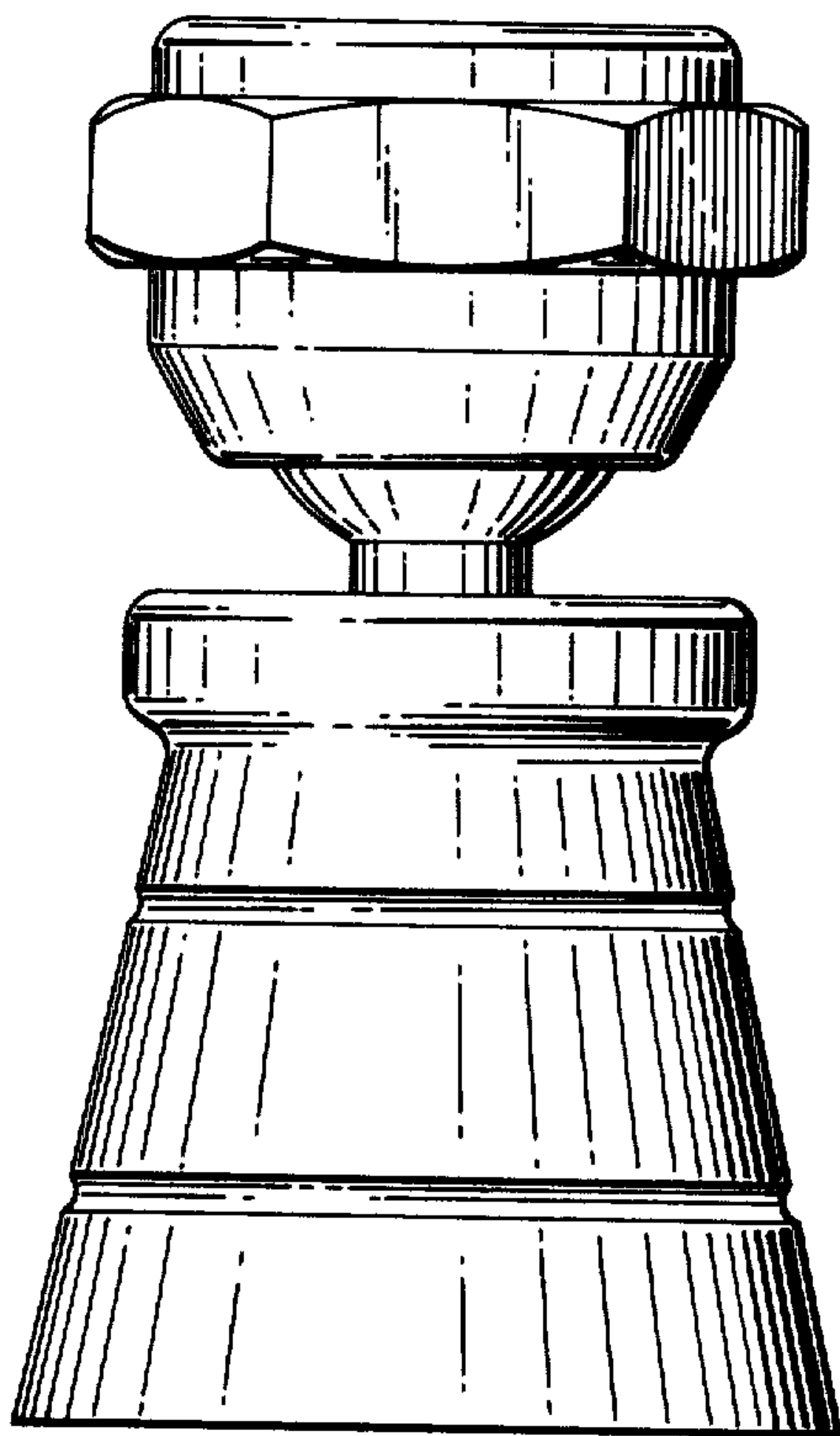


FIG. 2

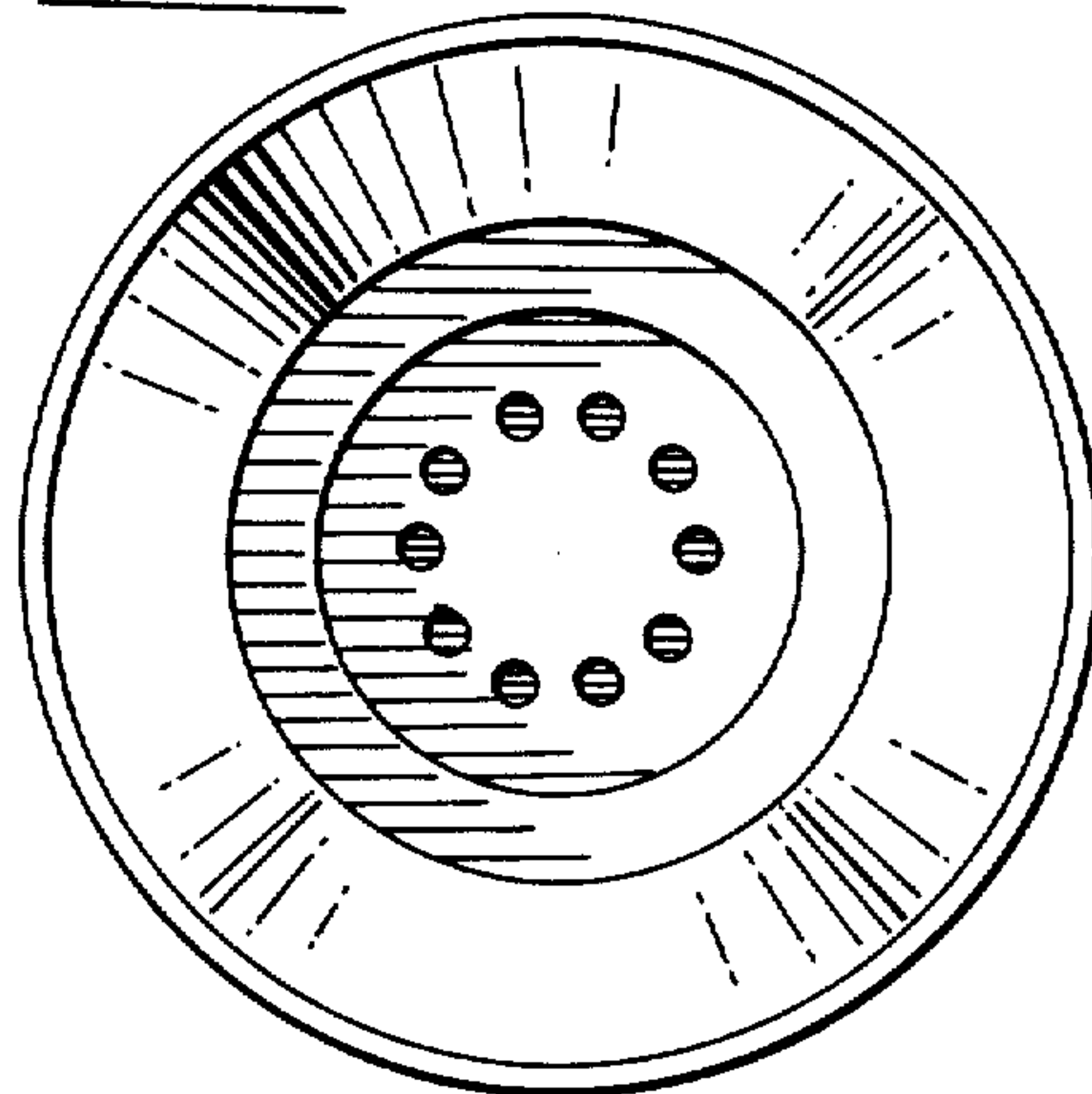


FIG. 3

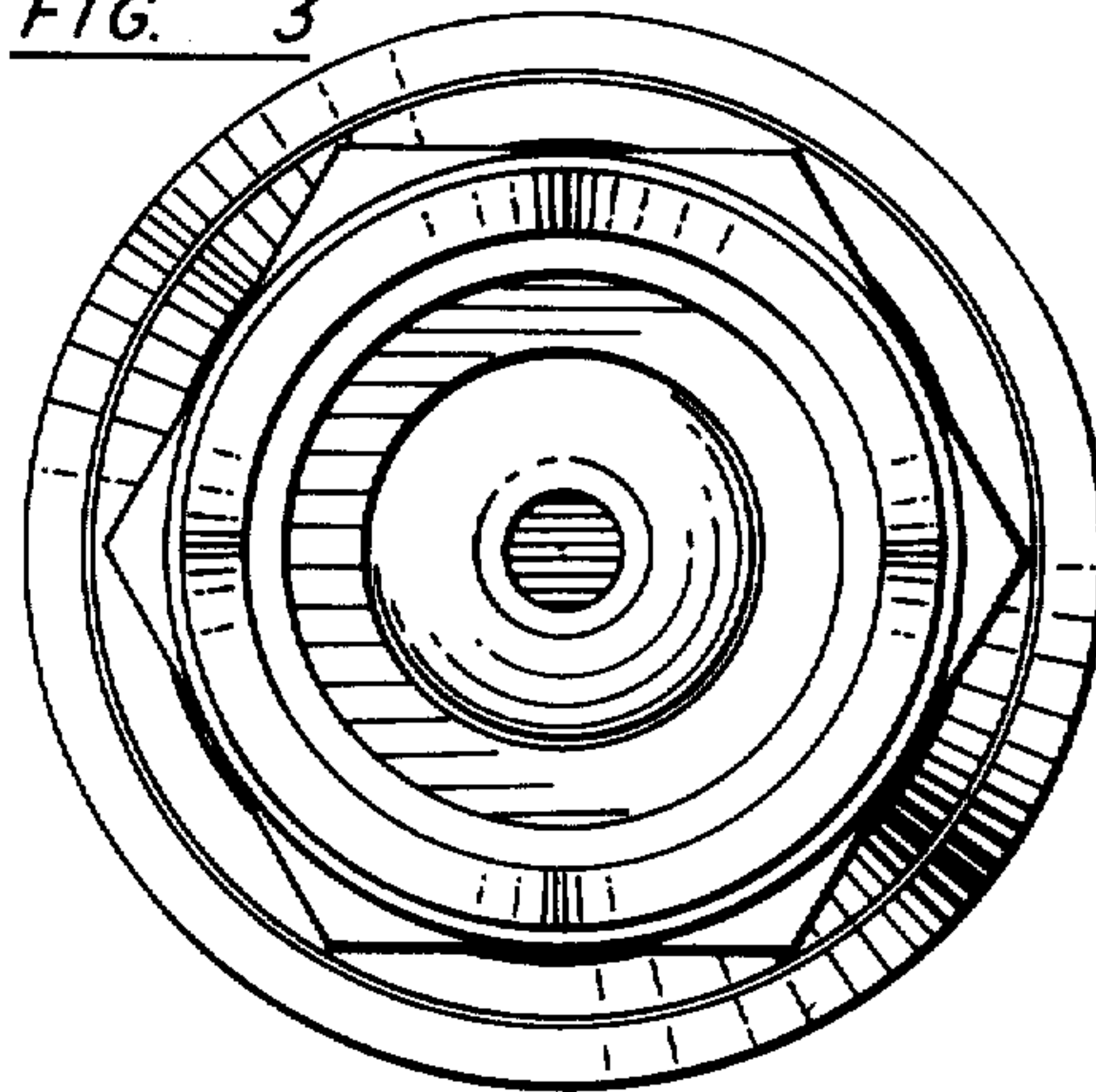


FIG. 4

