

[54] COVER FOR WATER PURIFIER

[76] Inventors: **Howard W. Fisher; Kirk R. Fisher,**
both of 14843 La Cuarta, Whittier,
Calif. 90605

[**] Term: **14 Years**

[21] Appl. No.: **103,733**

[22] Filed: **Dec. 14, 1979**

[51] Int. Cl. **D23—01**

[52] U.S. Cl. **D23/3**

[58] Field of Search **D23/3, 4; 210/190, 191**

D. 224,707 9/1972 Marsh D23/3

D. 224,708 9/1972 Marsh D23/3

D. 242,041 10/1976 Marsh D23/3

D. 245,786 9/1977 Marsh D23/3

3,073,674 1/1963 Rudelick 210/191 X

3,732,165 5/1973 Campbell 210/190

4,026,801 5/1977 Ward 210/190

Primary Examiner—James R. Largen
Attorney, Agent, or Firm—Edgar W. Averill, Jr.

[57] CLAIM

The ornamental design for a cover for a water purifier, as shown.

DESCRIPTION

FIG. 1 is a perspective view taken from the top, front and left side of a cover for a water purifier showing our new design.

FIG. 2 is a right side elevational view thereof.

FIG. 3 is a rear elevational view thereof.

FIG. 4 is a bottom plan view thereof.

[56] **References Cited**

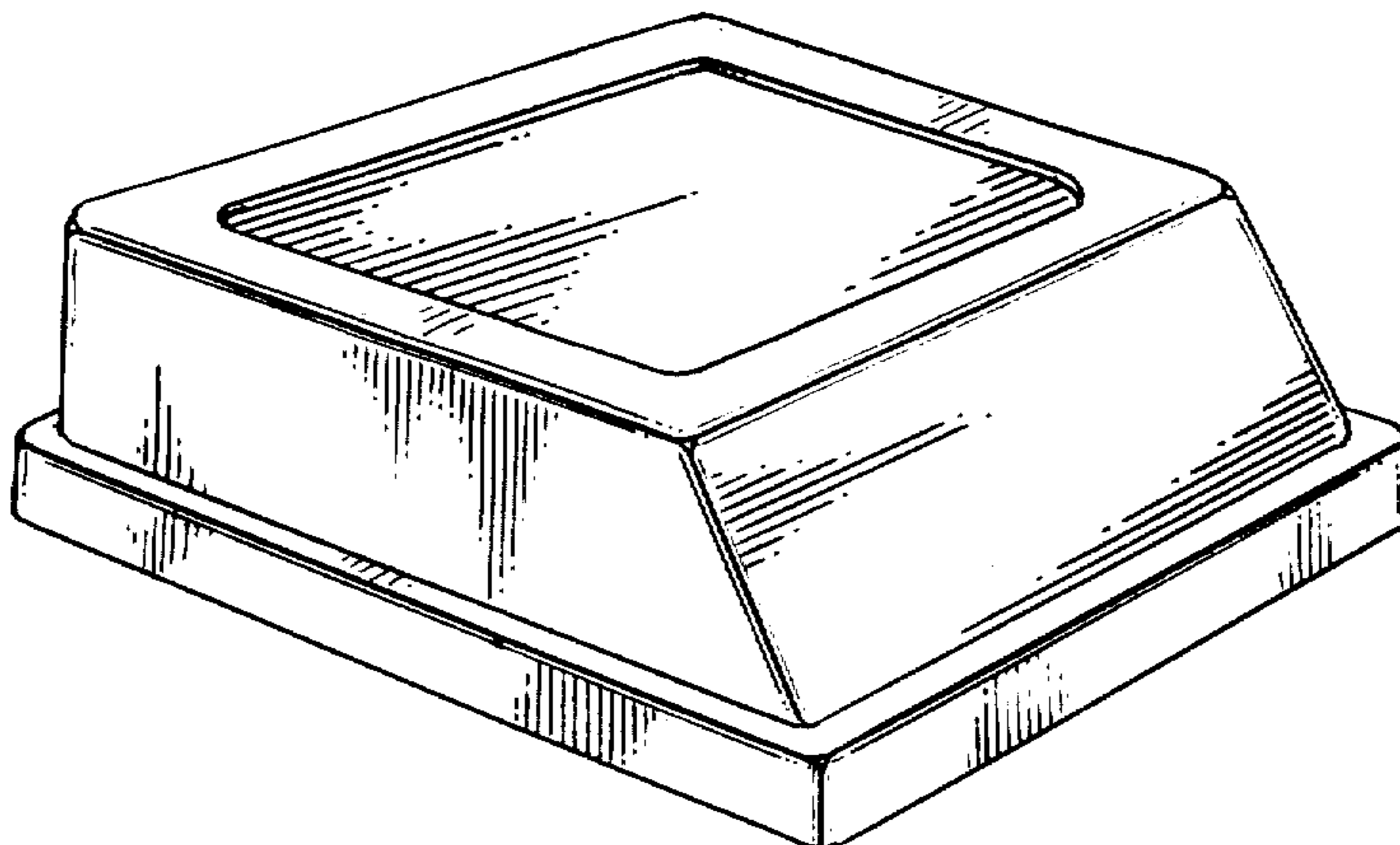
U.S. PATENT DOCUMENTS

D. 194,735 2/1963 Chapman D23/3

D. 205,922 10/1966 Moon D23/3

D. 208,846 10/1967 Robarge D23/3

D. 224,654 8/1972 Campbell D23/3



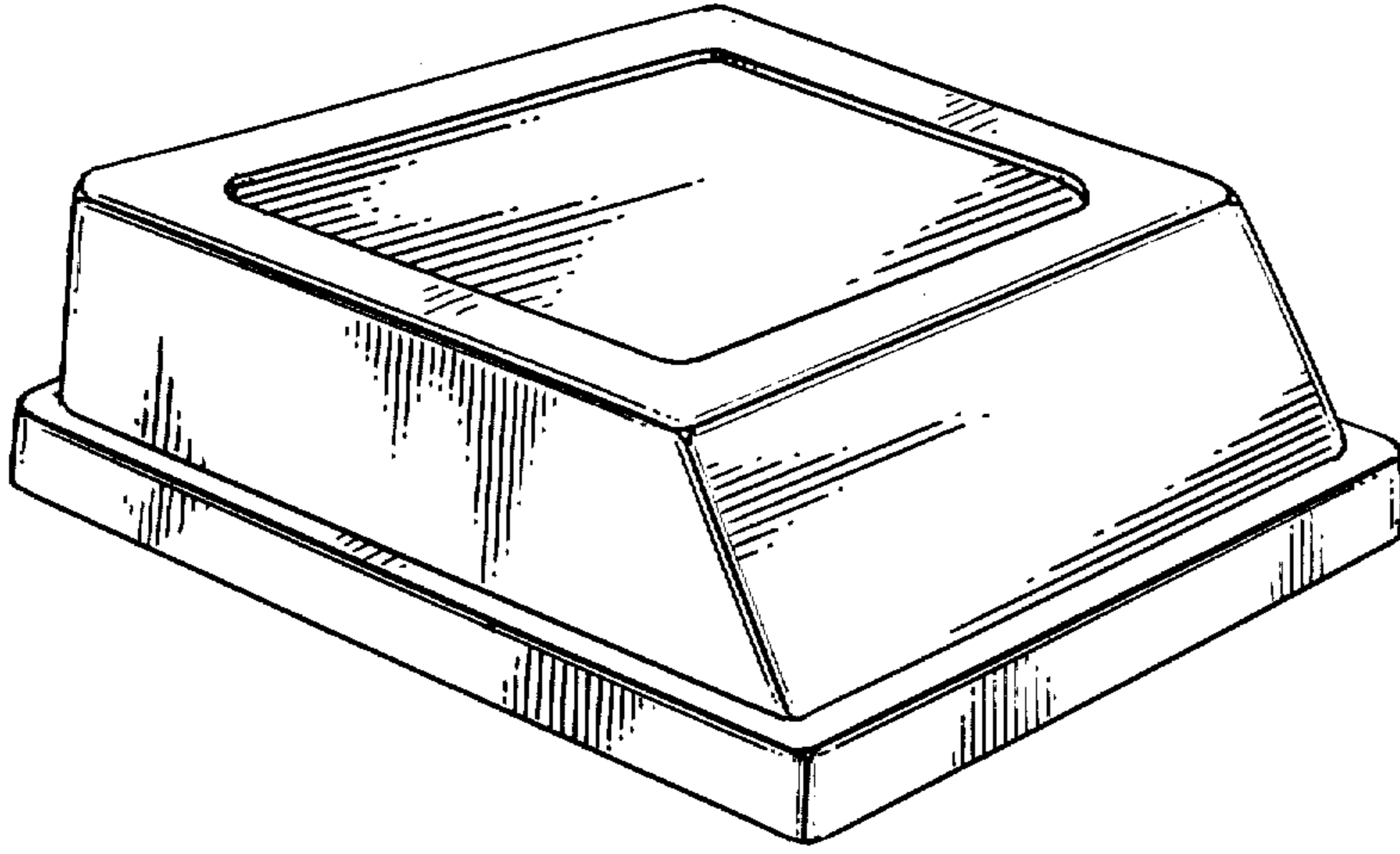


FIG. 1.

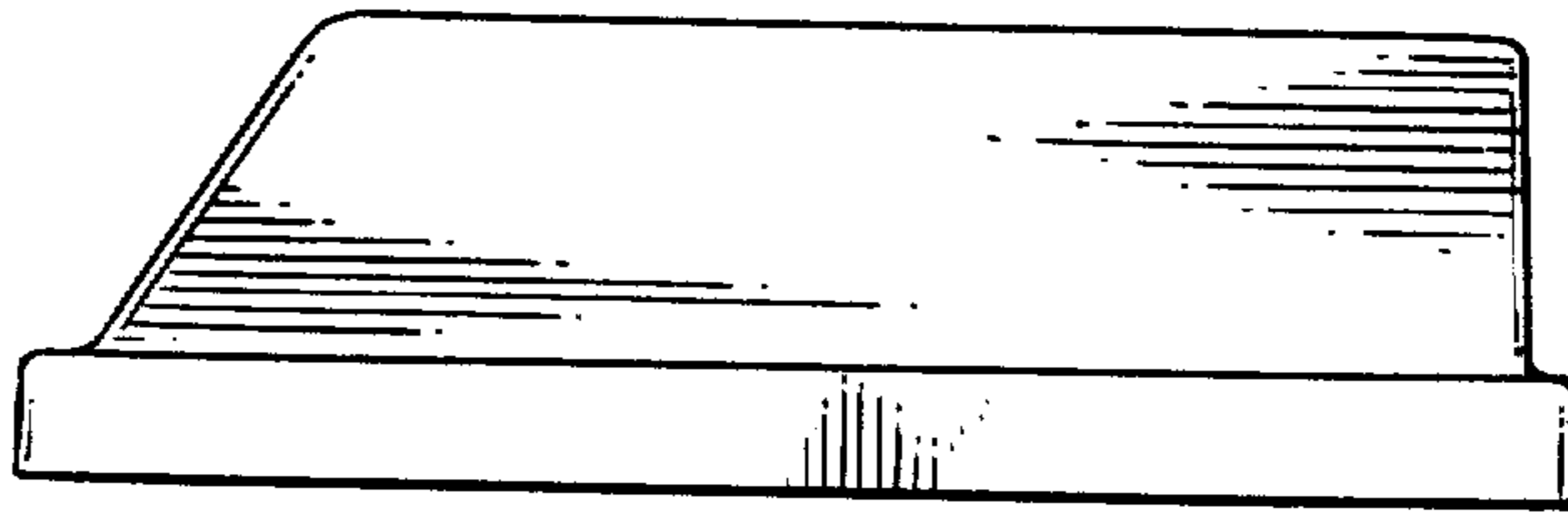


FIG. 2.

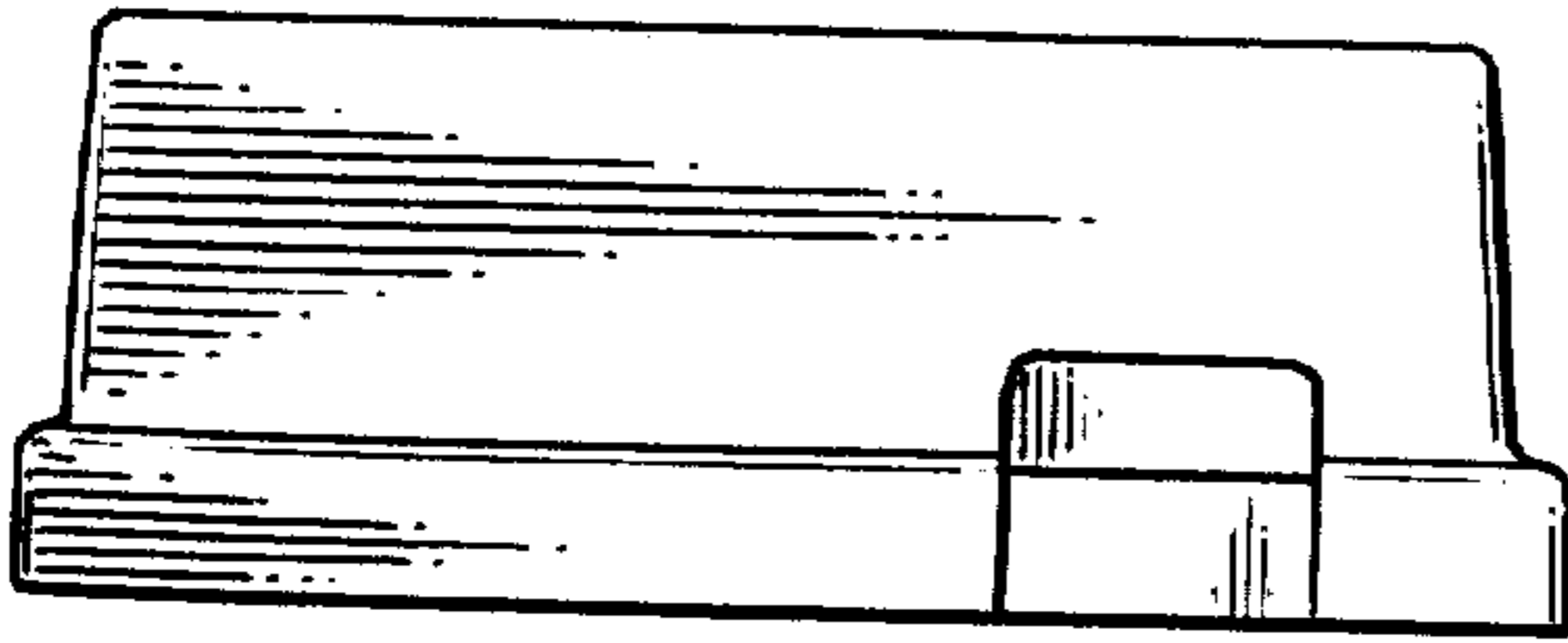


FIG. 3.

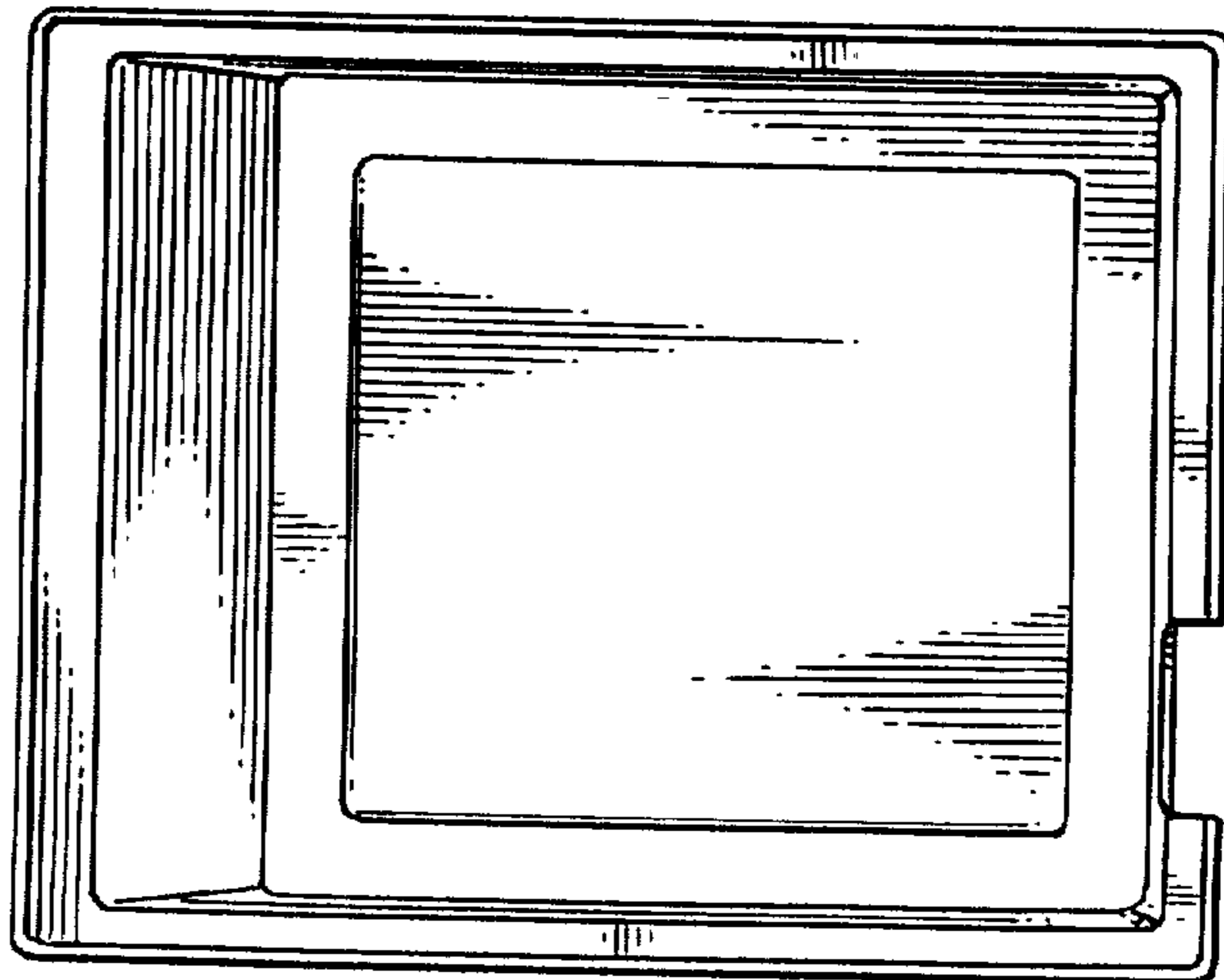


FIG. 4.