

[54] BODY SUPPORT HARNESS

[76] Inventor: Frederick L. Hain, 416 San Vincente - Apt. 102, Santa Monica, Calif. 90403

[**] Term: 14 Years

[21] Appl. No.: 61,922

[22] Filed: Jul. 30, 1979

[51] Int. Cl. D21-02

[52] U.S. Cl. D21/191; 272/109

[58] Field of Search D24/64; D21/191, 193, D21/235; 272/109, 116, 134, 144

[56] References Cited

U.S. PATENT DOCUMENTS

D. 256,706 9/1980 Gartin D21/191
2,819,755 1/1958 Berger et al. D21/235

3,173,415 3/1965 Rubin 128/33
3,857,561 12/1974 Ceechettini et al. 272/109

FOREIGN PATENT DOCUMENTS

2724452 12/1978 Fed. Rep. of Germany 272/109

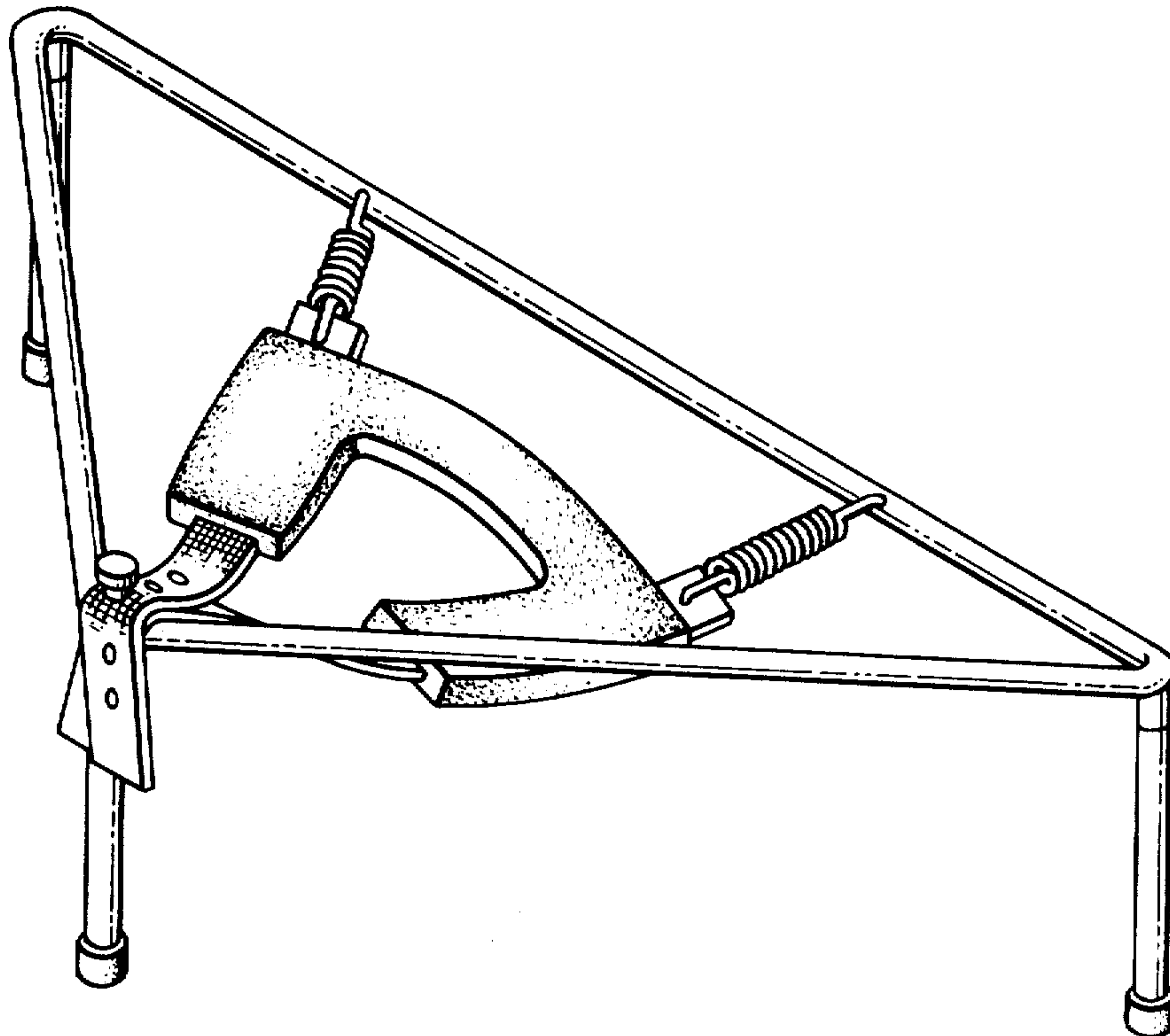
Primary Examiner—Veronica O’Keefe
Attorney, Agent, or Firm—James E. Brunton

[57] CLAIM

The ornamental design for a body support harness, as shown and described.

DESCRIPTION

FIG. 1 is a perspective view of a body support harness showing my new design;
FIG. 2 is a top view thereof;
FIG. 3 is a front view thereof;
FIG. 4 is a side view thereof; and
FIG. 5 is a rear view thereof.



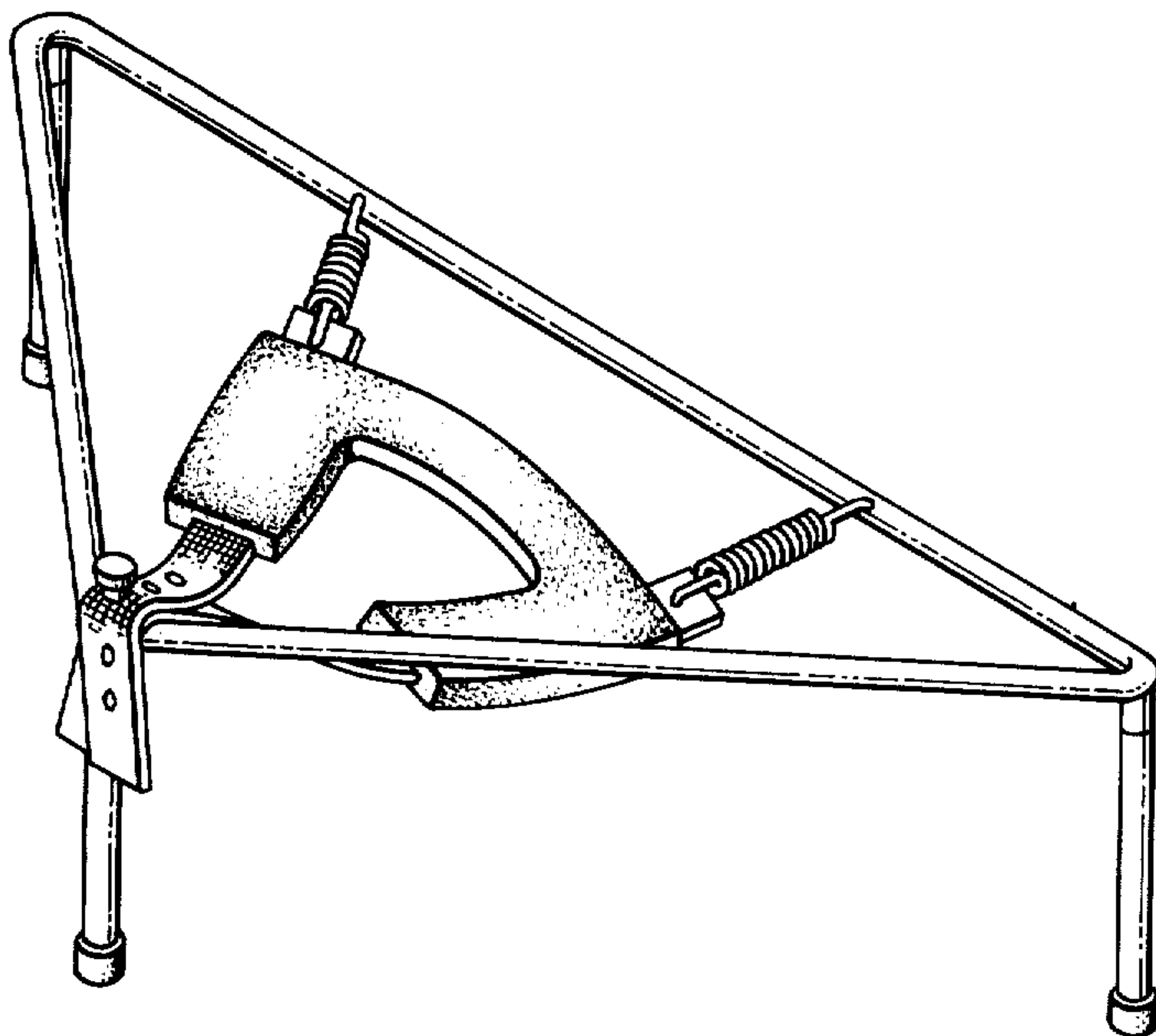


FIG. 1.

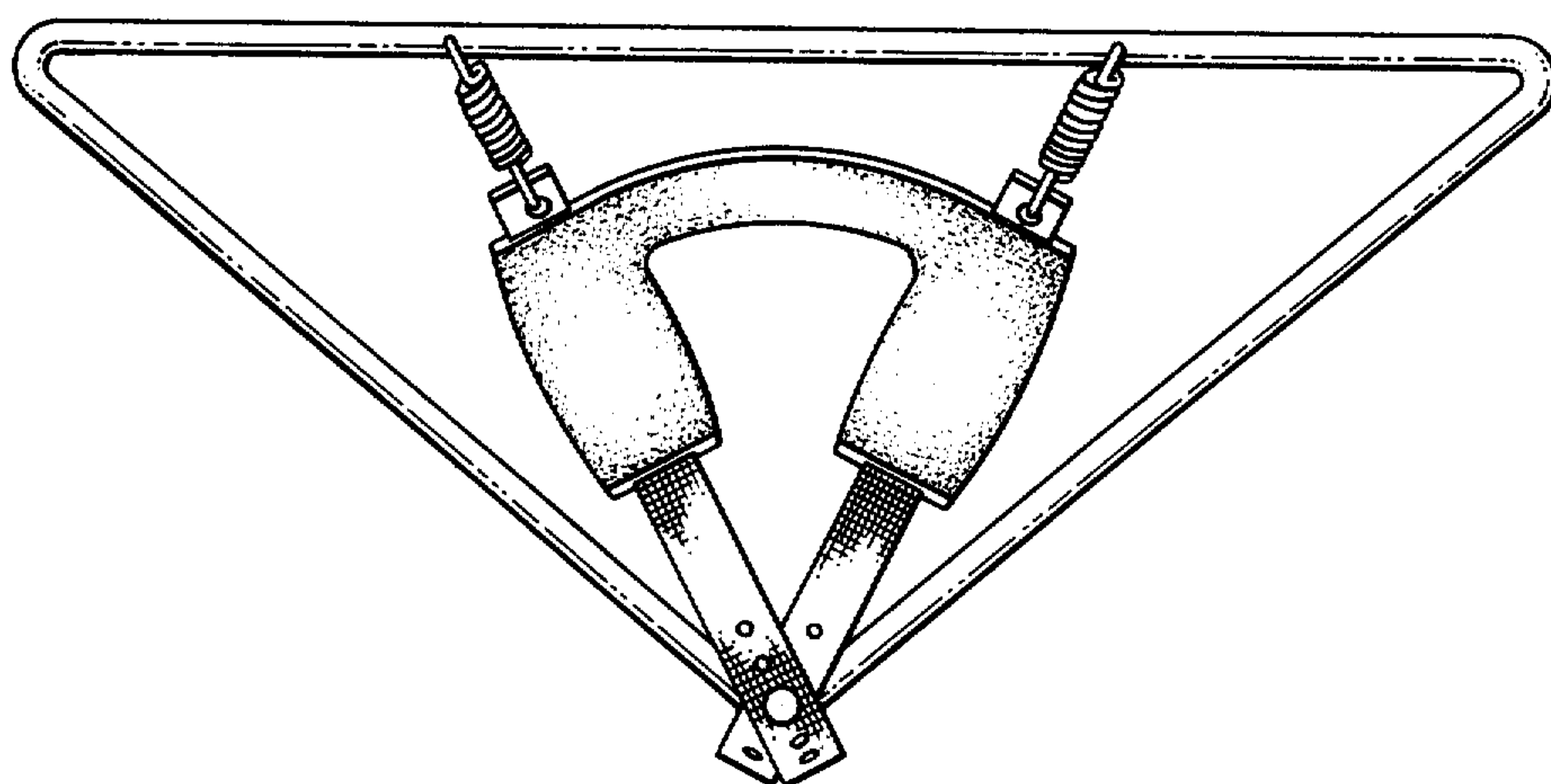


FIG. 2.

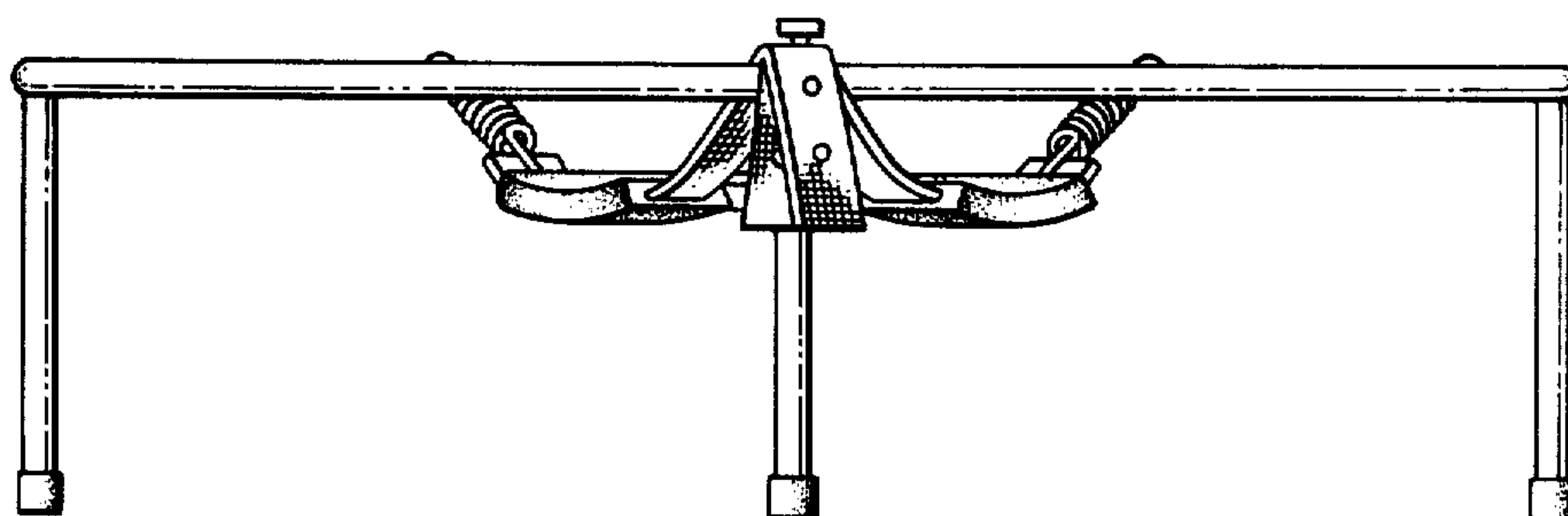


FIG. 3.

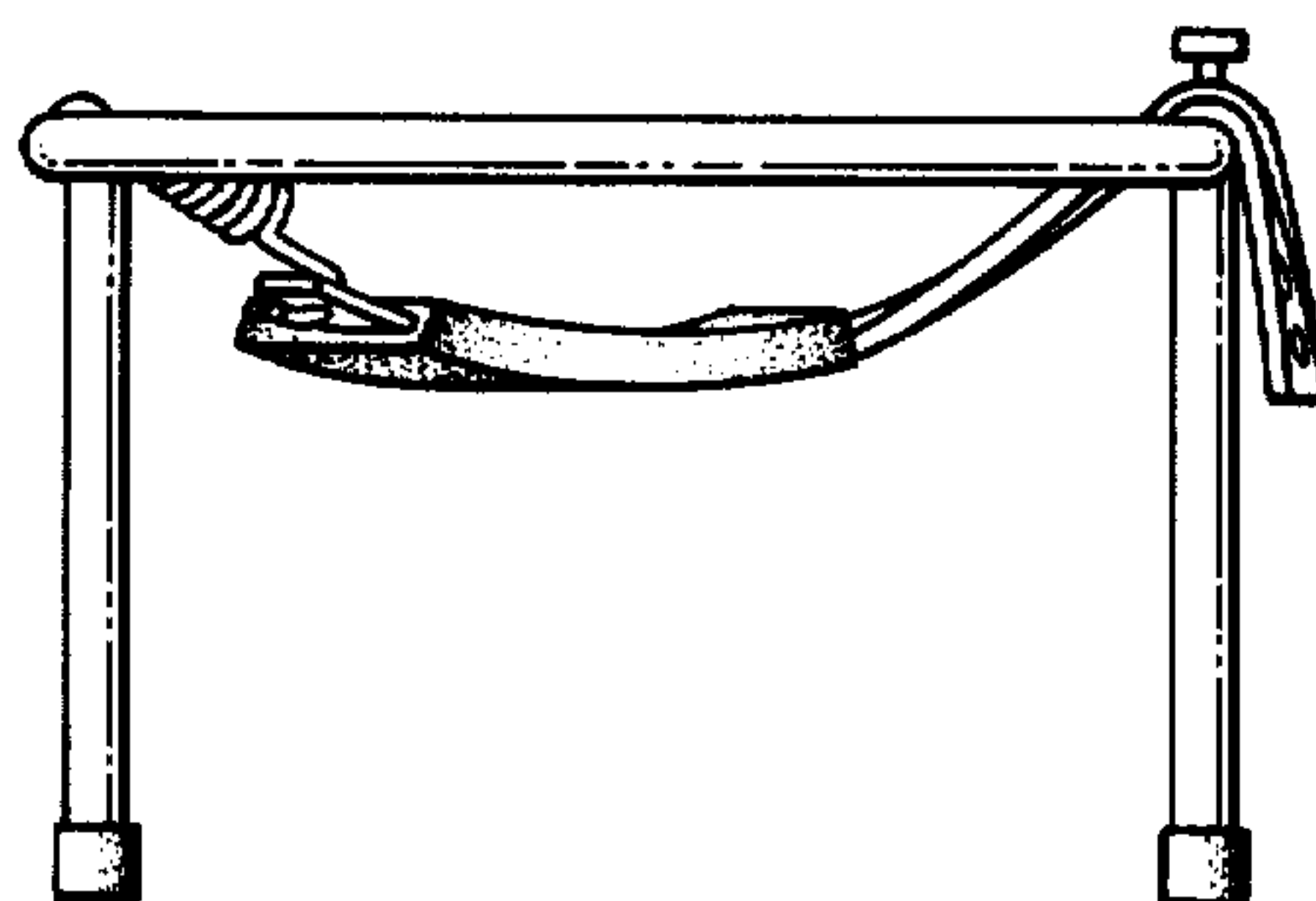


FIG. 4.

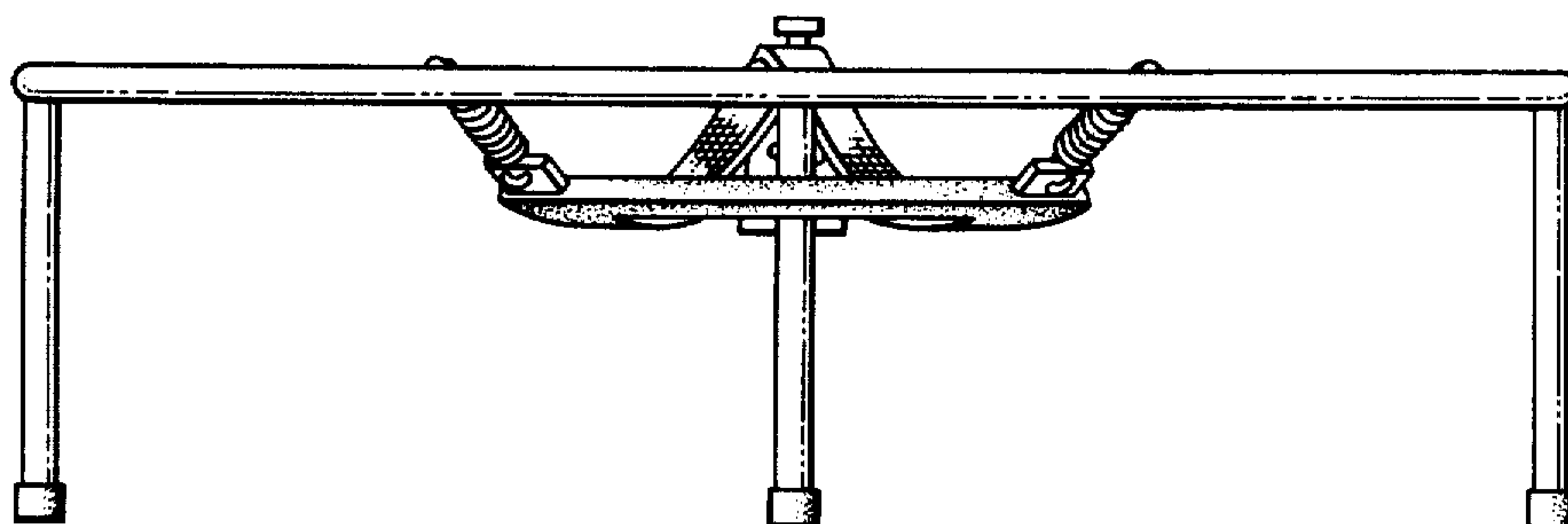


FIG. 5.