

[54] CONVERTIBLE TOY VEHICLE
 [75] Inventor: Shinichi Kanaoki, Tokyo, Japan
 [73] Assignee: Tomy Kogyo Co., Inc., Tokyo, Japan
 [**] Term: 14 Years
 [21] Appl. No.: 124,226
 [22] Filed: Feb. 25, 1980

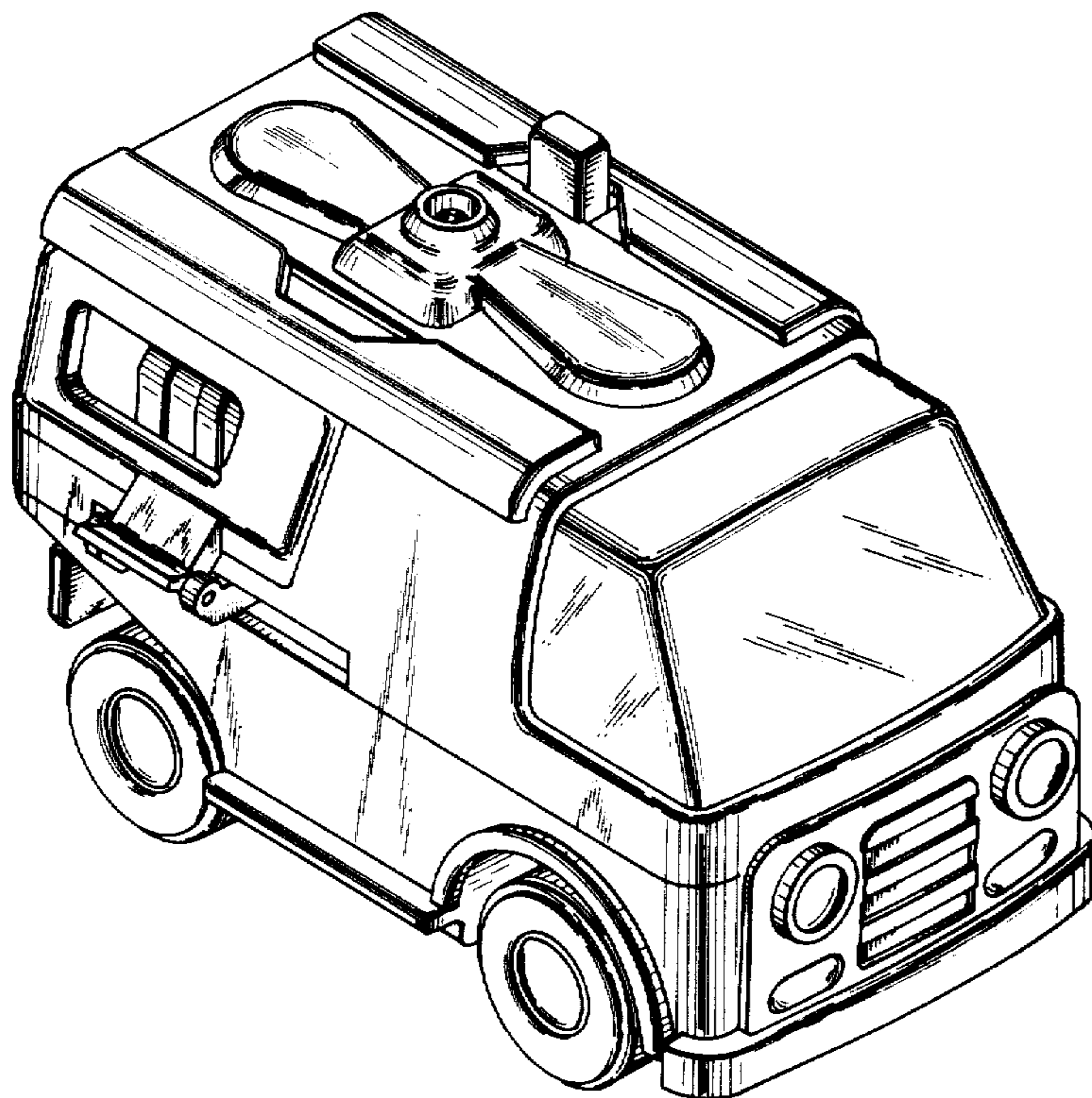
[30] Foreign Application Priority Data
 Aug. 27, 1979 [JP] Japan 54-35690
 [51] Int. Cl. D21-01
 [52] U.S. Cl. D21/140; D21/85
 [58] Field of Search D21/85, 128, 140;
 46/75, 76, 97, 201, 222

[56] References Cited
 U.S. PATENT DOCUMENTS
 D. 211,377 6/1968 Lakin D21/85
 D. 217,488 5/1970 Perhacs D21/85
 D. 220,198 3/1971 Clauser D21/140

D. 250,216 11/1978 Goldfarb et al. D21/128
 Primary Examiner—Charles A. Rademaker
 Attorney, Agent, or Firm—K. H. Boswell; Edward D. O'Brian

[57] CLAIM
 The ornamental design for a convertible toy vehicle, substantially as shown and described.

DESCRIPTION
 FIG. 1 is a perspective view of a convertible toy showing my new design;
 FIG. 2 is a rear elevational view thereof;
 FIG. 3 is a right side elevational view thereof;
 FIG. 4 is a bottom plan view thereof;
 FIG. 5 is a left side elevational view of the design shown in FIGS. 1 through 4 in a converted condition, the side opposite being substantially a mirror image;
 FIG. 6 is a top plan view thereof;
 FIG. 7 is a front elevational view thereof;
 FIG. 8 is a rear elevational view thereof; and,
 FIG. 9 is a bottom plan view thereof.



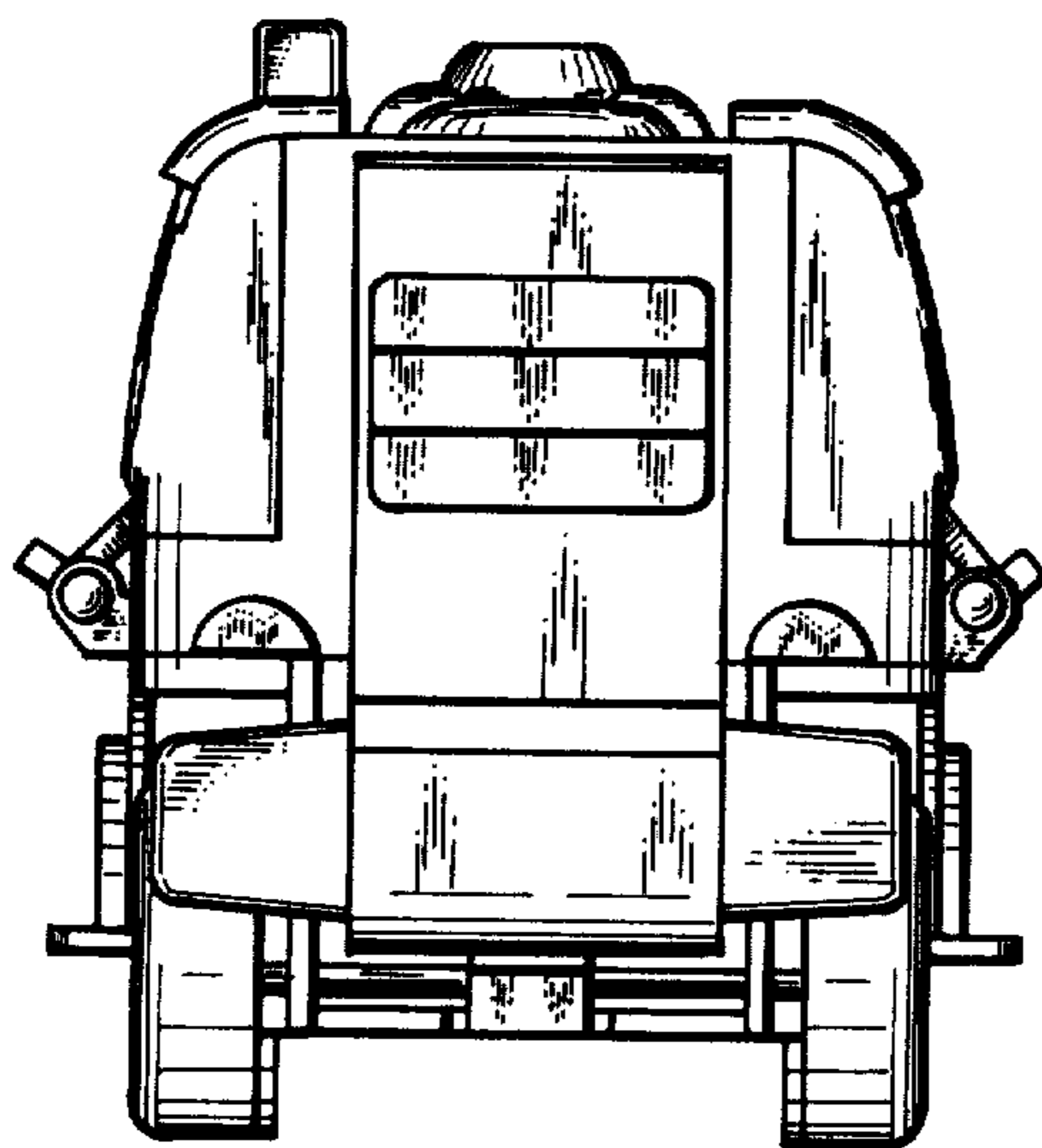
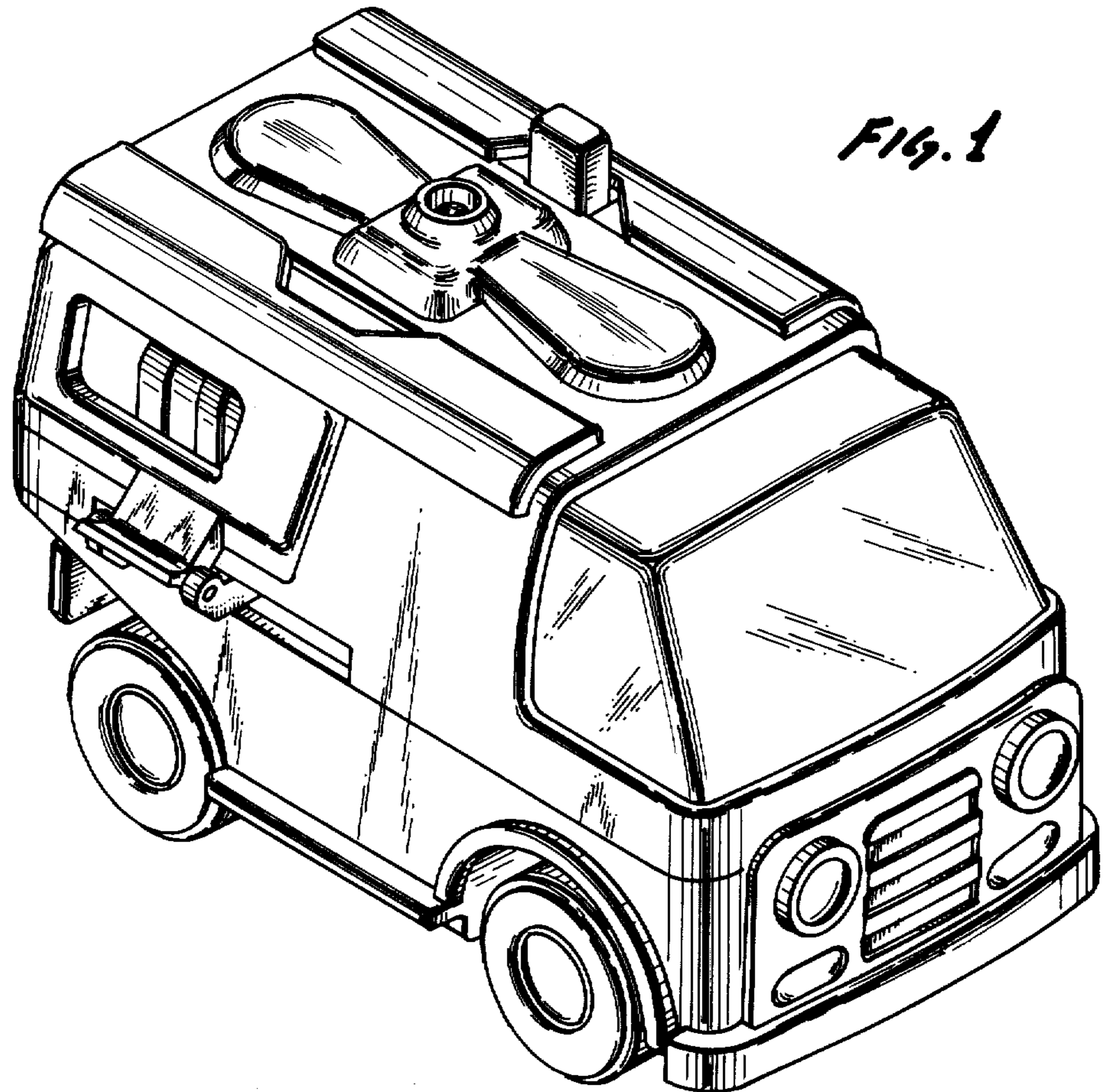


Fig. 3

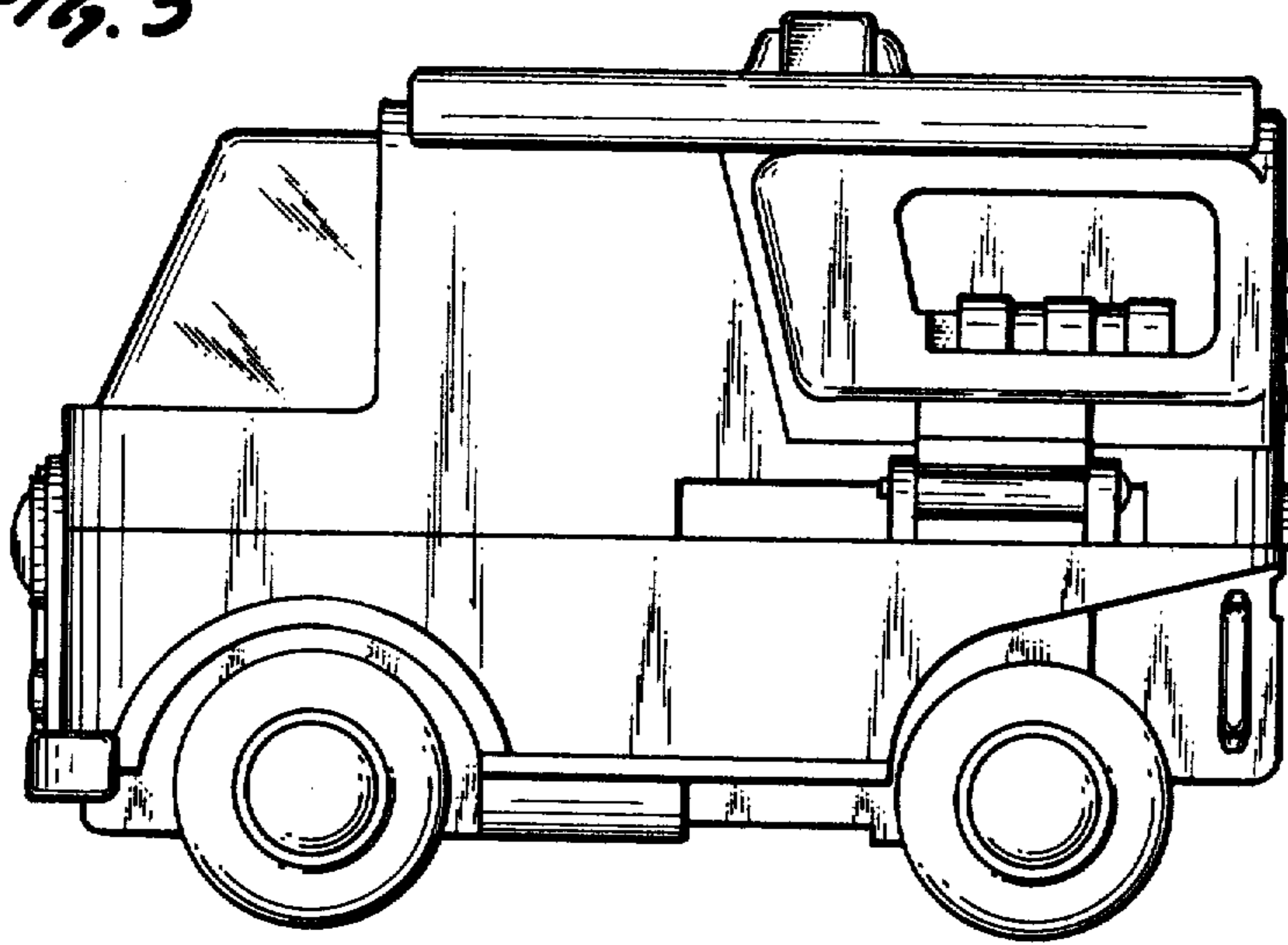


Fig. 4

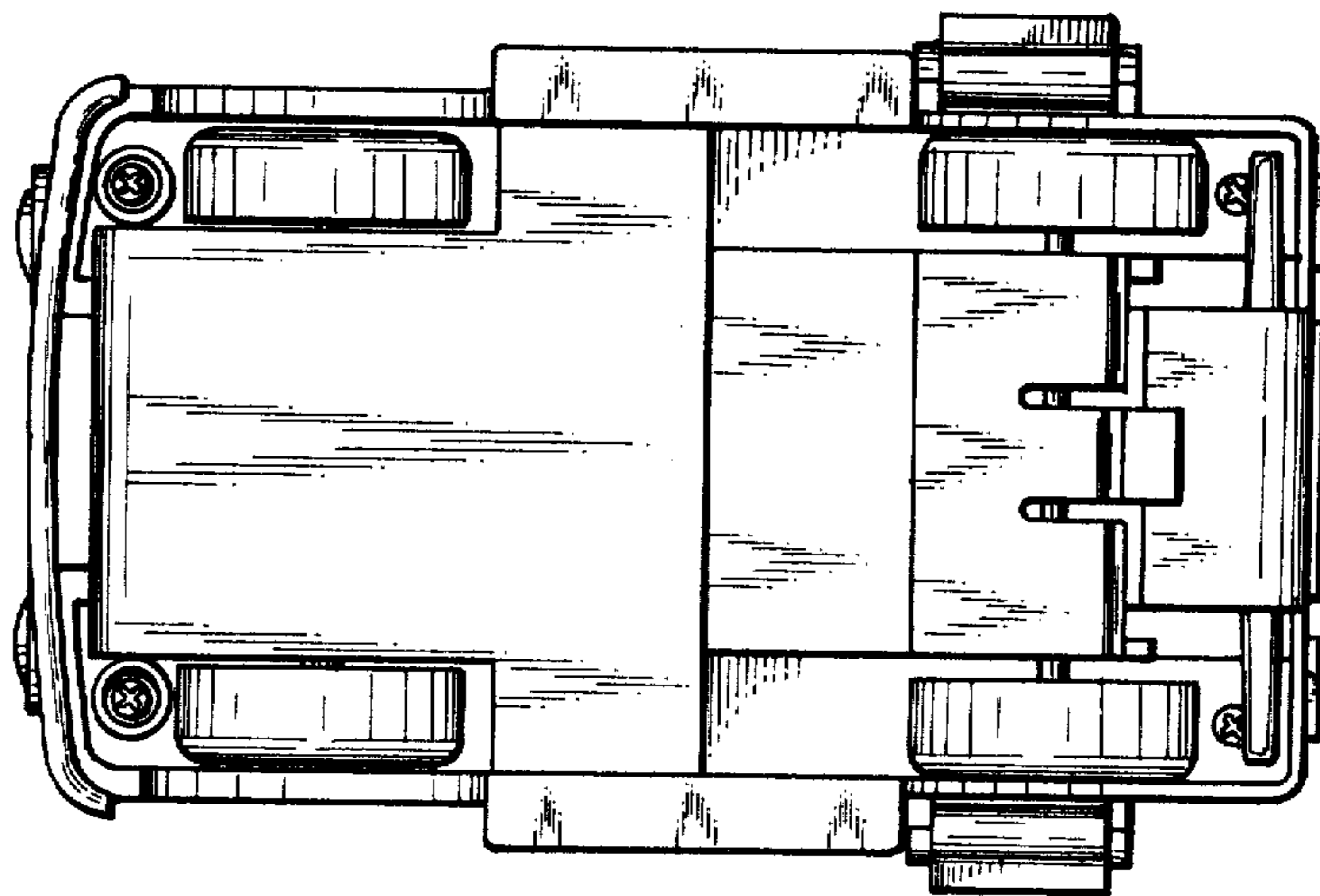


FIG. 5

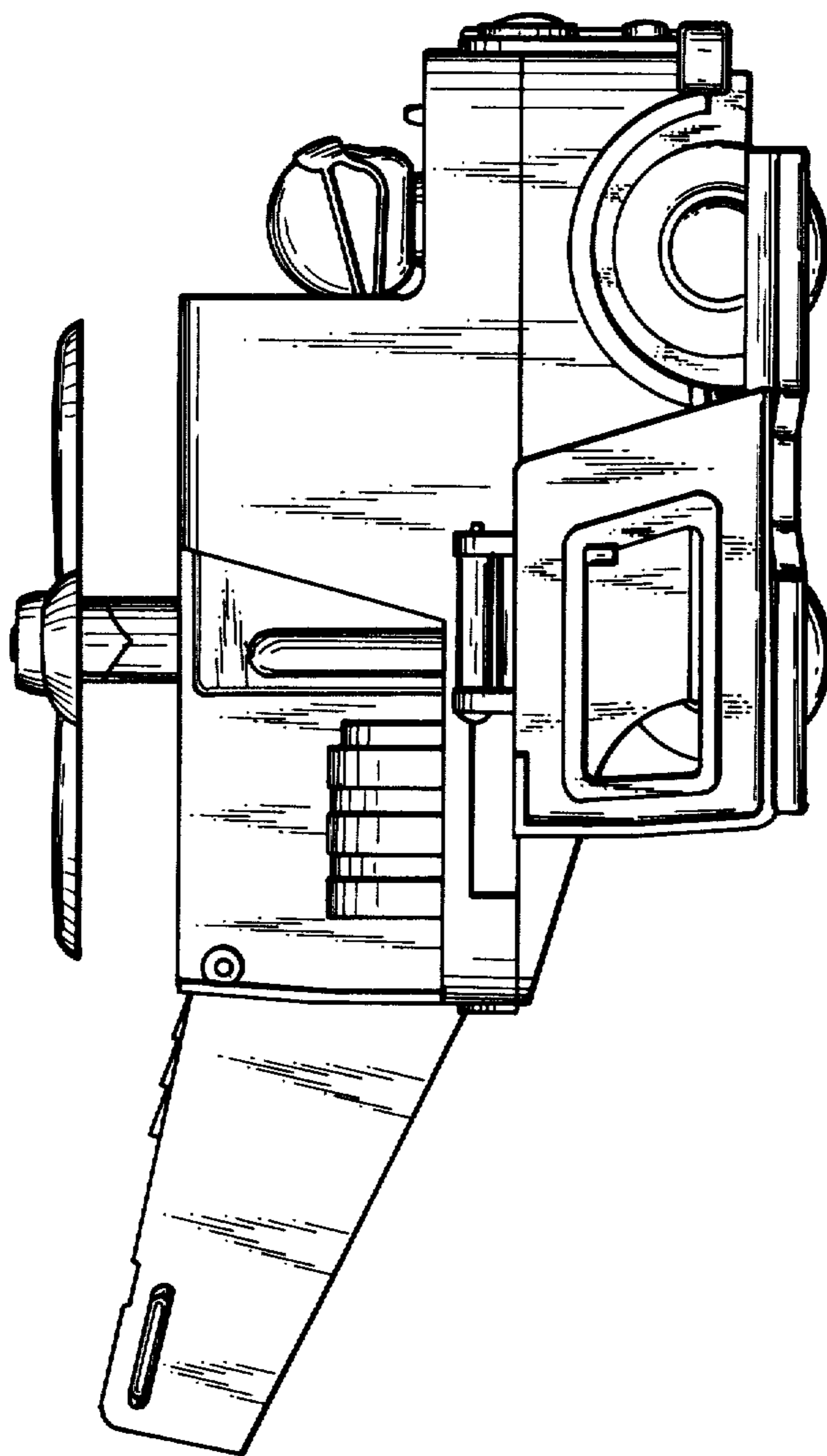


Fig. 6

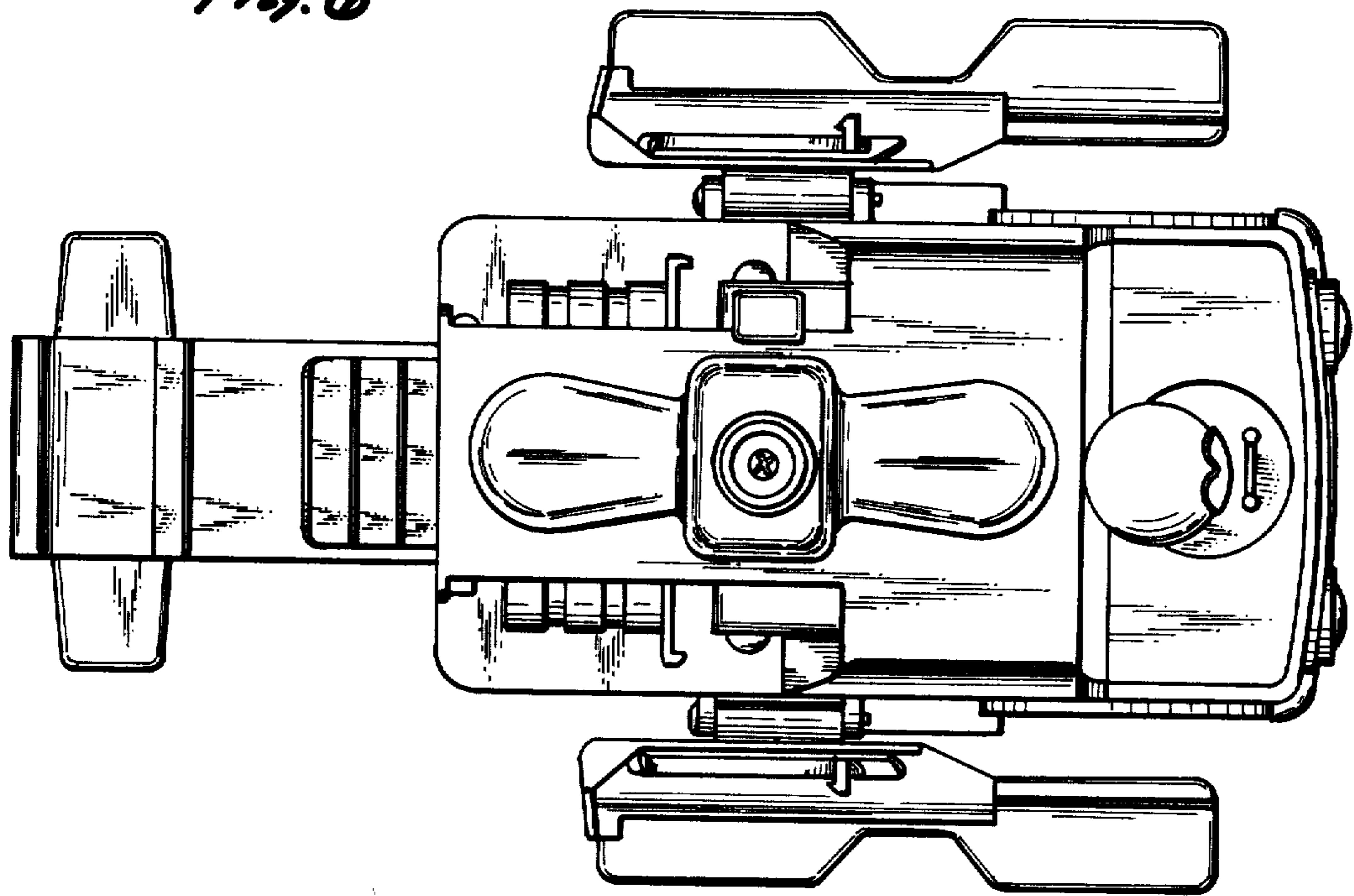
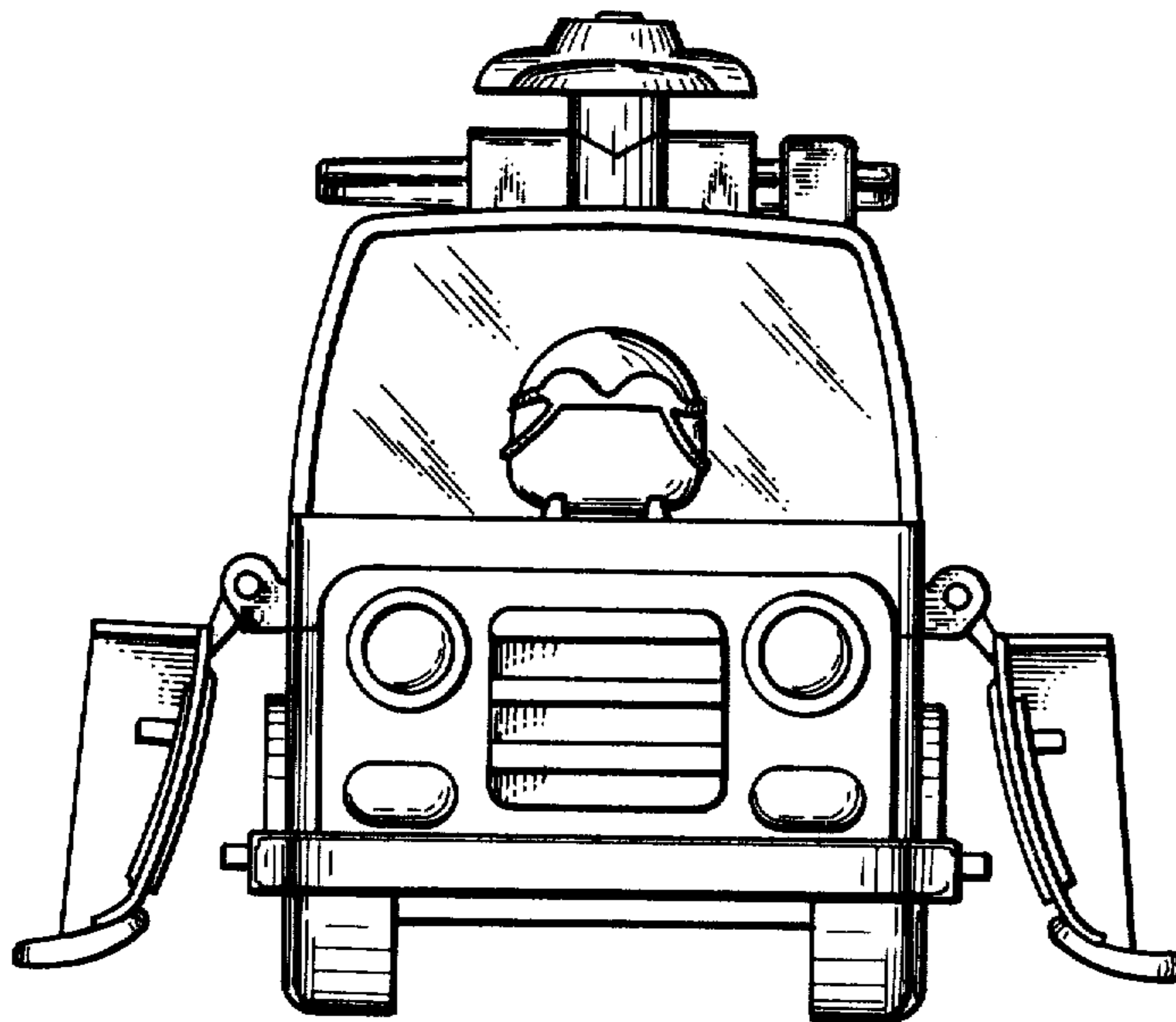


Fig. 7



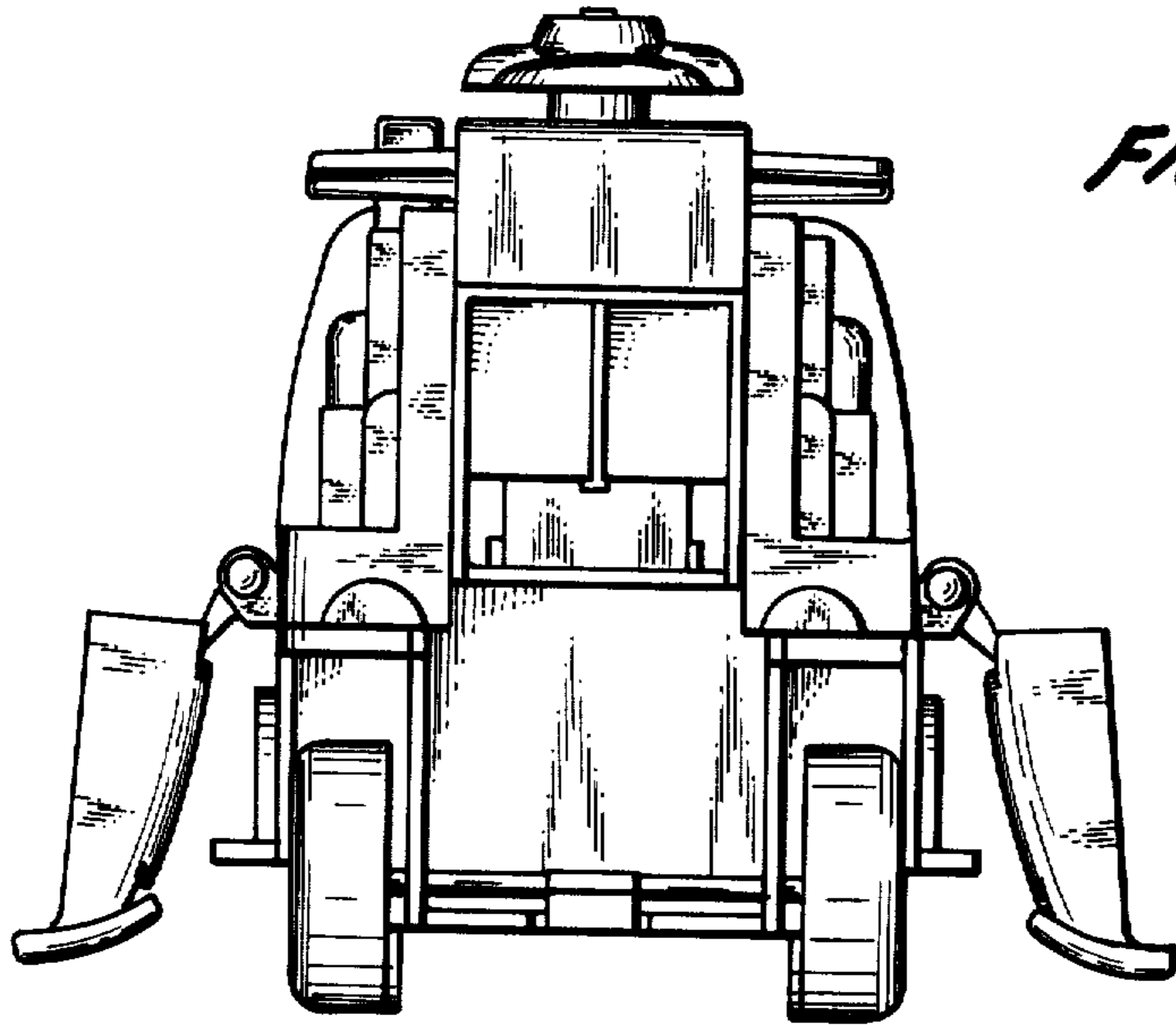


FIG. 8

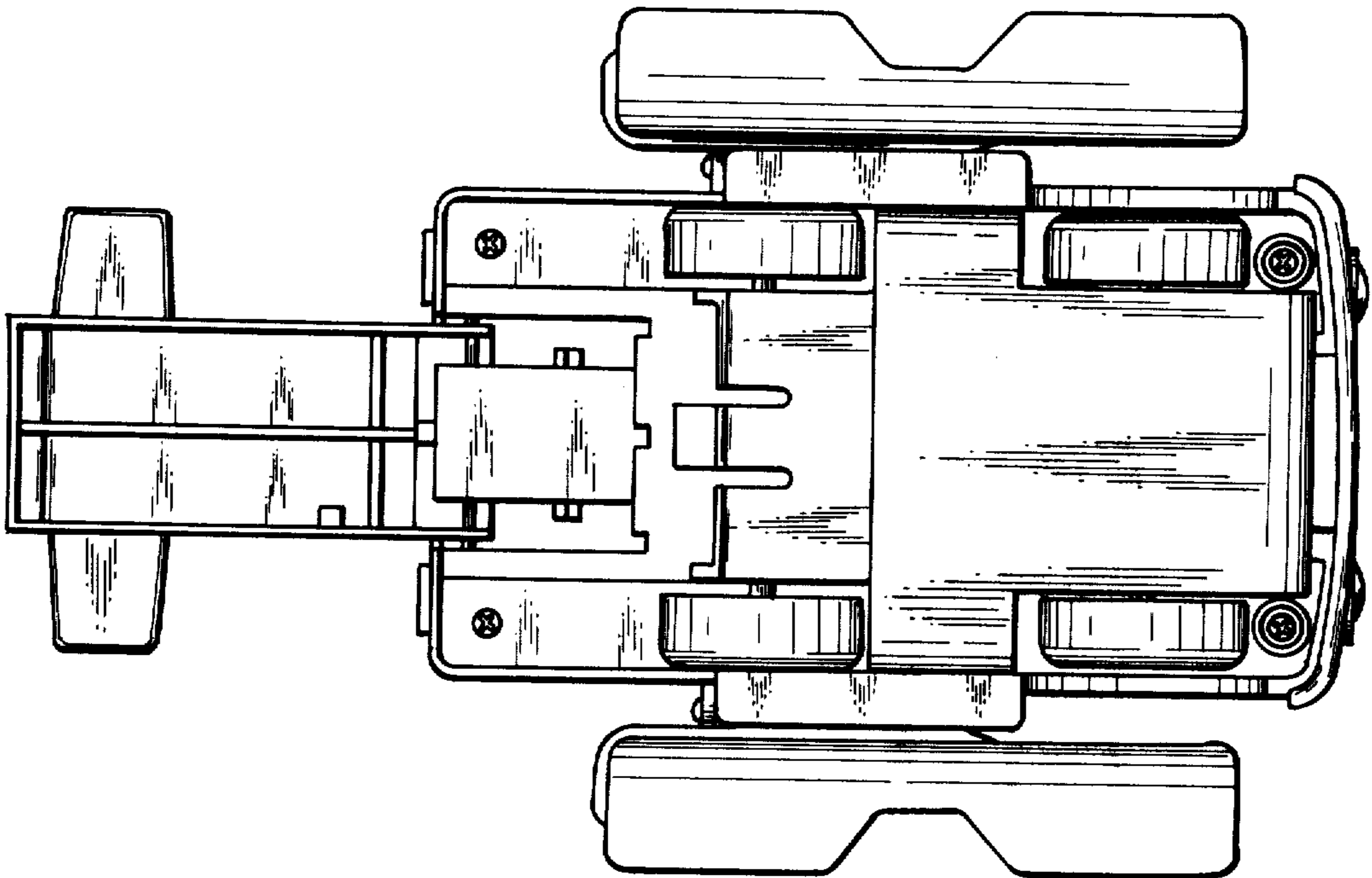


FIG. 9