

[54] MULTIPLE DESK ACCESSORY RECEPTACLE ASSEMBLY

[75] Inventor: Robert A. Martin, Thousand Oaks, Calif.

[73] Assignee: Metcor Manufacturing, Los Angeles, Calif.

[**] Term: 14 Years

[21] Appl. No.: 945,578

[22] Filed: Sep. 25, 1978

[51] Int. Cl. D19-02

[52] U.S. Cl. D19/92

[58] Field of Search D19/20-25, D19/75, 78, 84, 85, 86, 92; 211/11, 126; 220/22.3, 22.4; D27/47

[56] References Cited

U.S. PATENT DOCUMENTS

D. 142,705 10/1945 Dawer D27/47

OTHER PUBLICATIONS

Peter Pepper Products, Inc., 1973, p. 18, Item #6000.

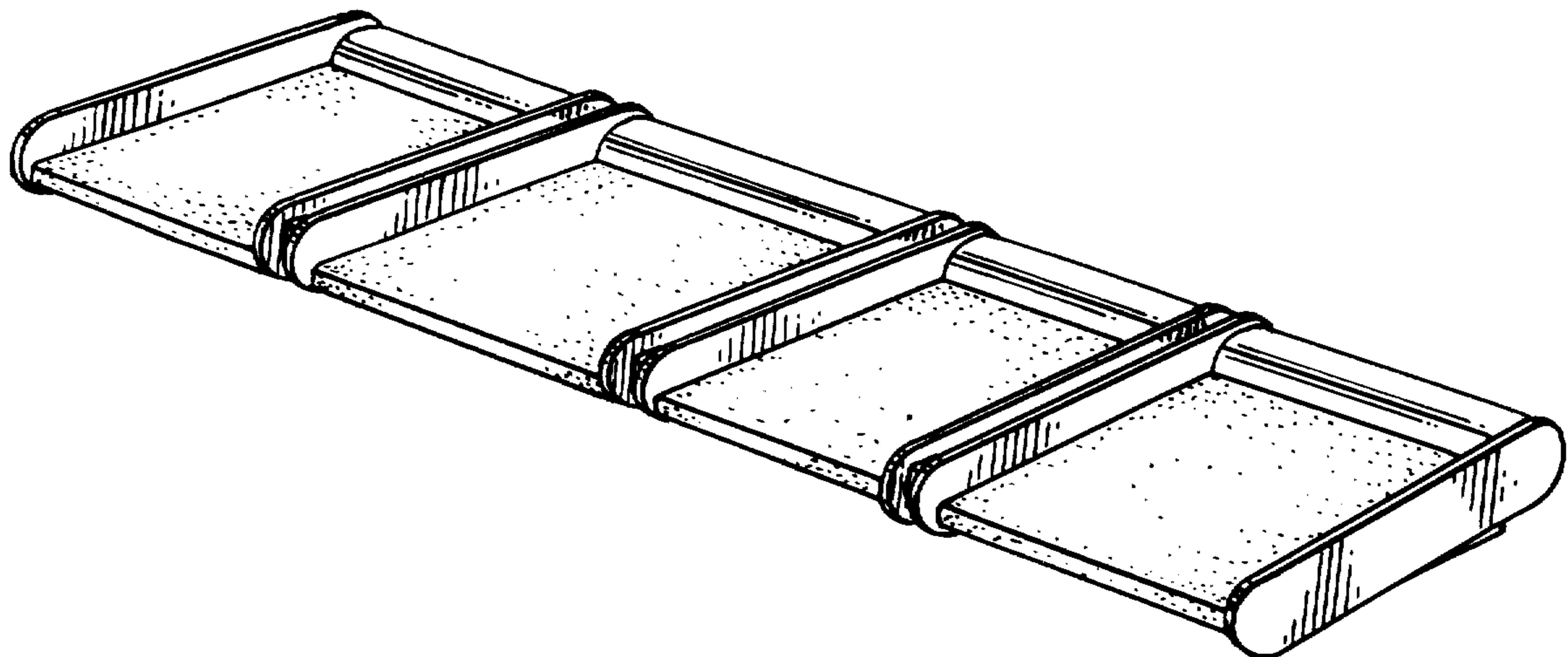
Primary Examiner—George P. Word
Attorney, Agent, or Firm—T. L. Stam

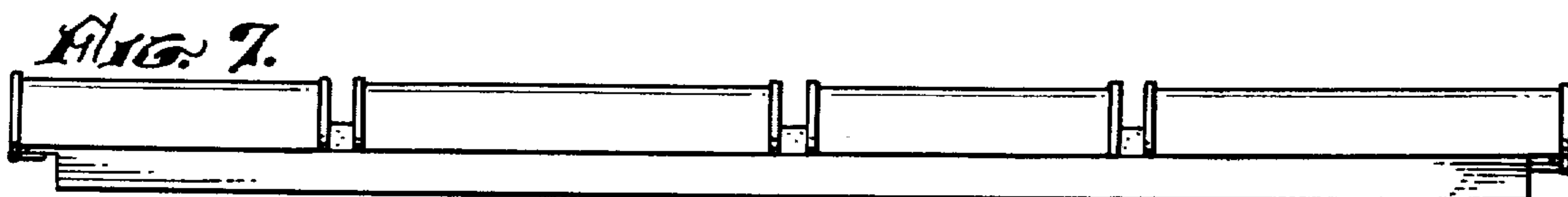
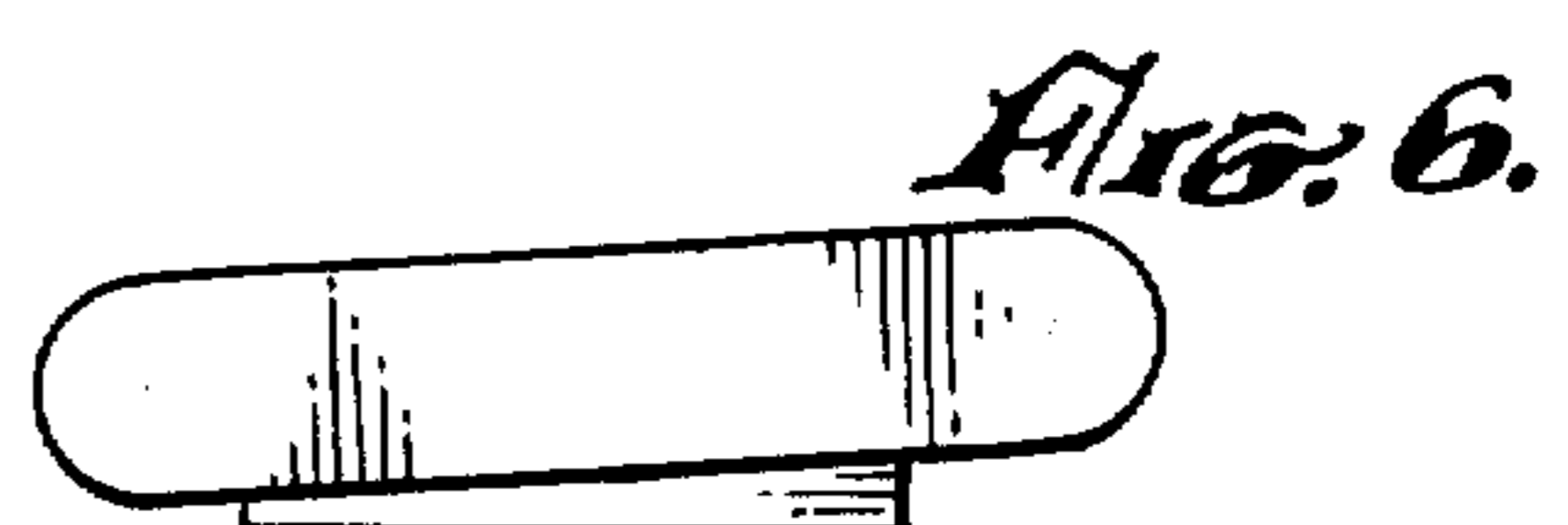
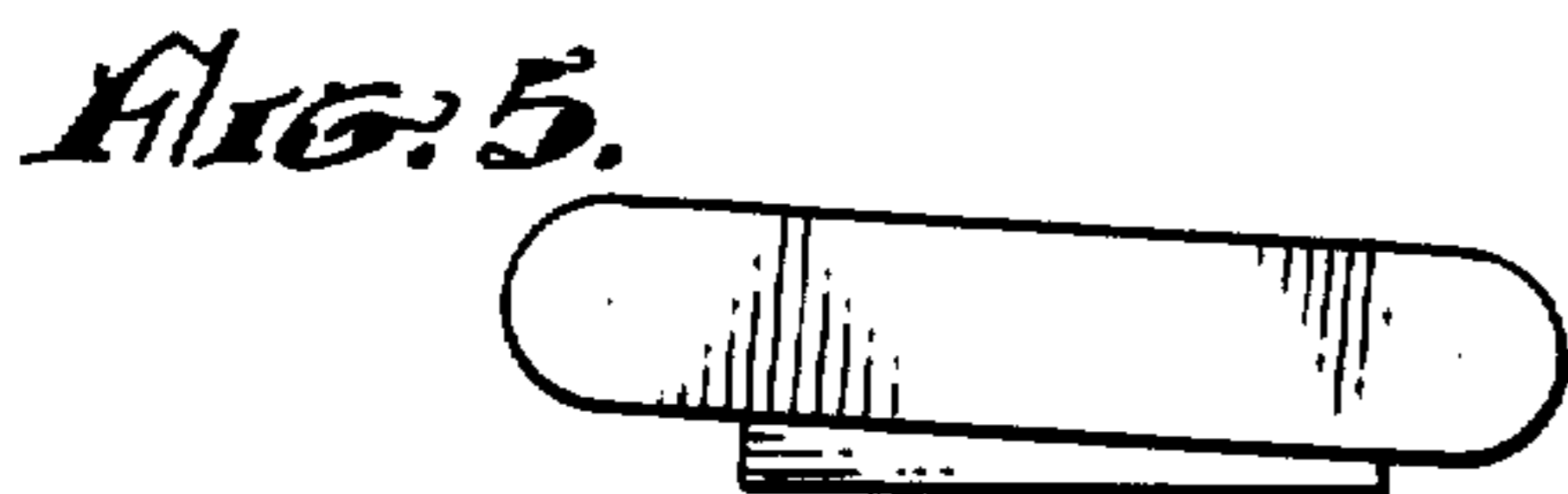
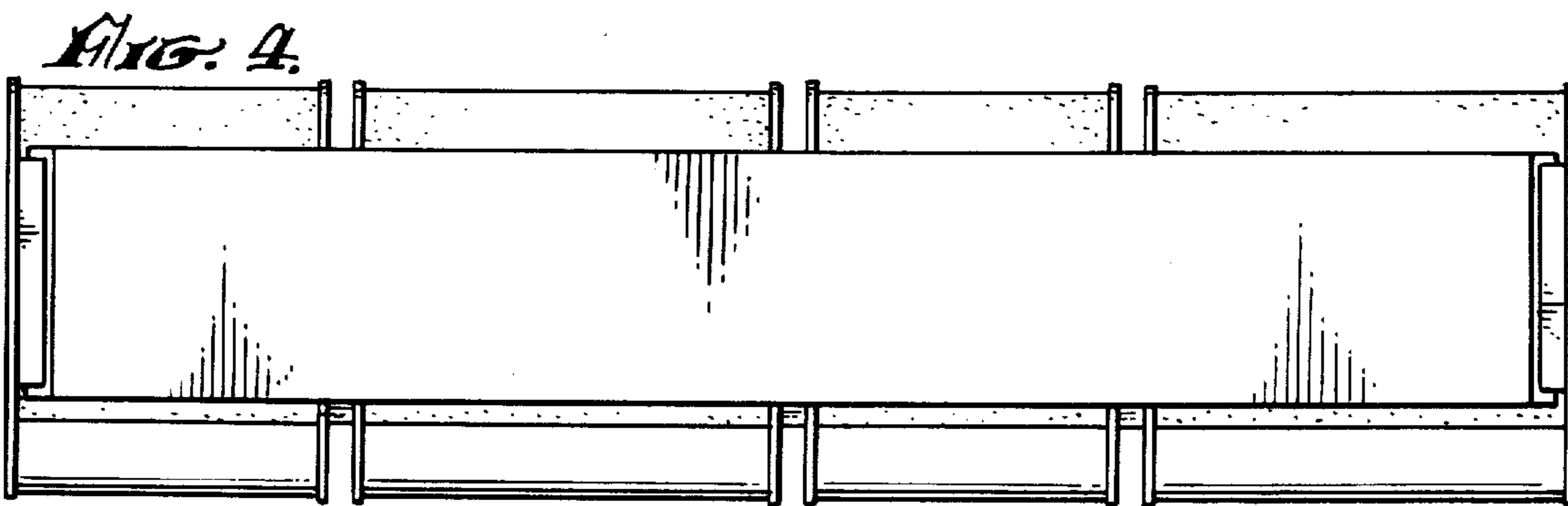
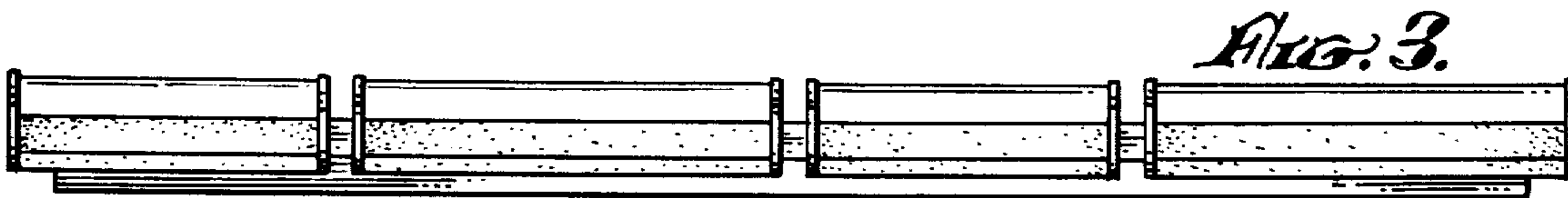
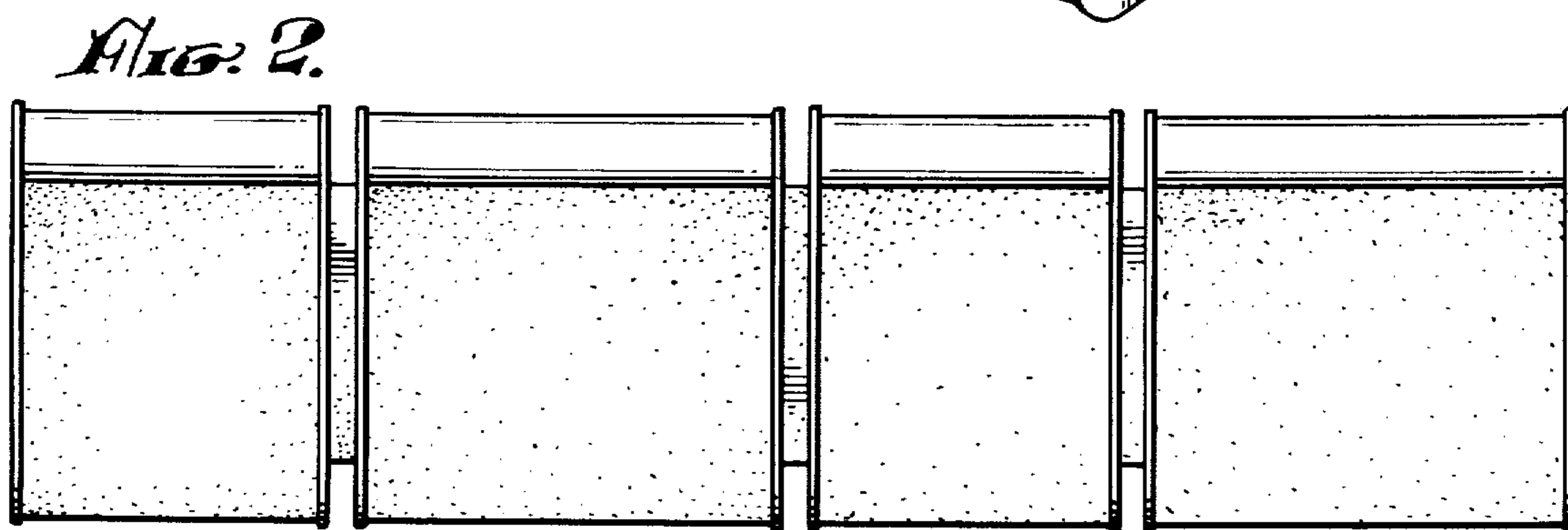
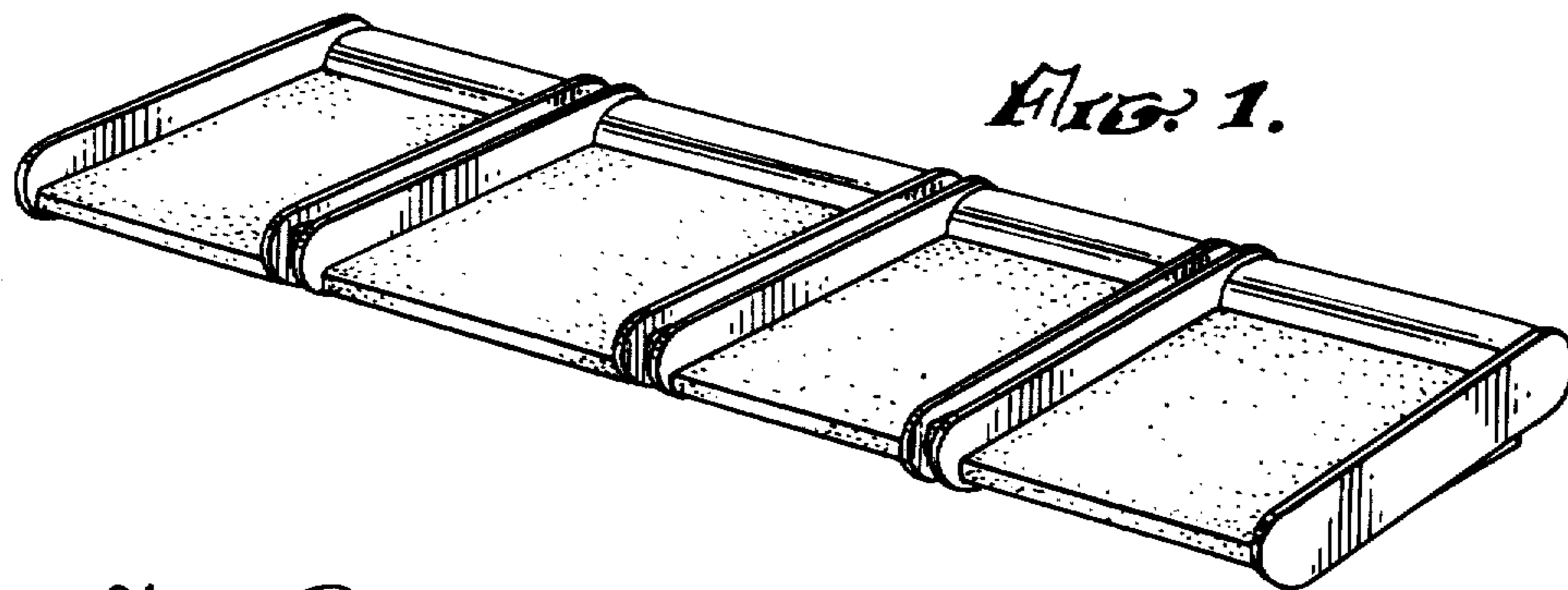
[57] CLAIM

The ornamental design for a multiple desk accessory receptacle assembly, as shown and described.

DESCRIPTION

FIG. 1 is a perspective view of a multiple desk accessory receptacle assembly showing my new design; FIG. 2 is a top plan view thereof; FIG. 3 is a front elevational view thereof; FIG. 4 is a bottom plan view thereof; FIG. 5 is a left side elevational view thereof; FIG. 6 is a right side elevational view thereof; FIG. 7 is a rear elevational view thereof; FIG. 8 is a top plan view of a second embodiment of the multiple desk accessory receptacle assembly; FIG. 9 is a top plan view of a third embodiment of the multiple desk accessory receptacle assembly; FIG. 10 is a top plan view of a fourth embodiment of the multiple desk accessory receptacle assembly; FIG. 11 is a fifth embodiment of the multiple desk accessory receptacle assembly; The views of FIGS. 8-11 not shown are substantially similar to those shown in FIGS. 3-7.





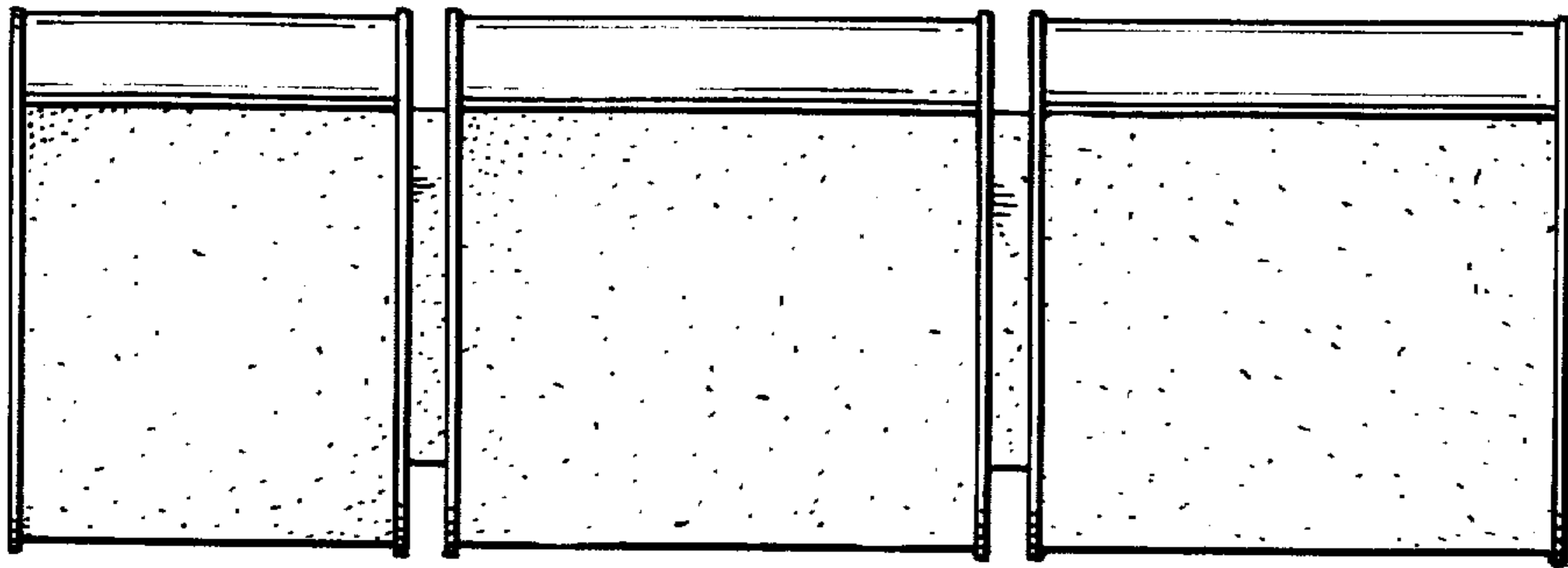


FIG. 8.

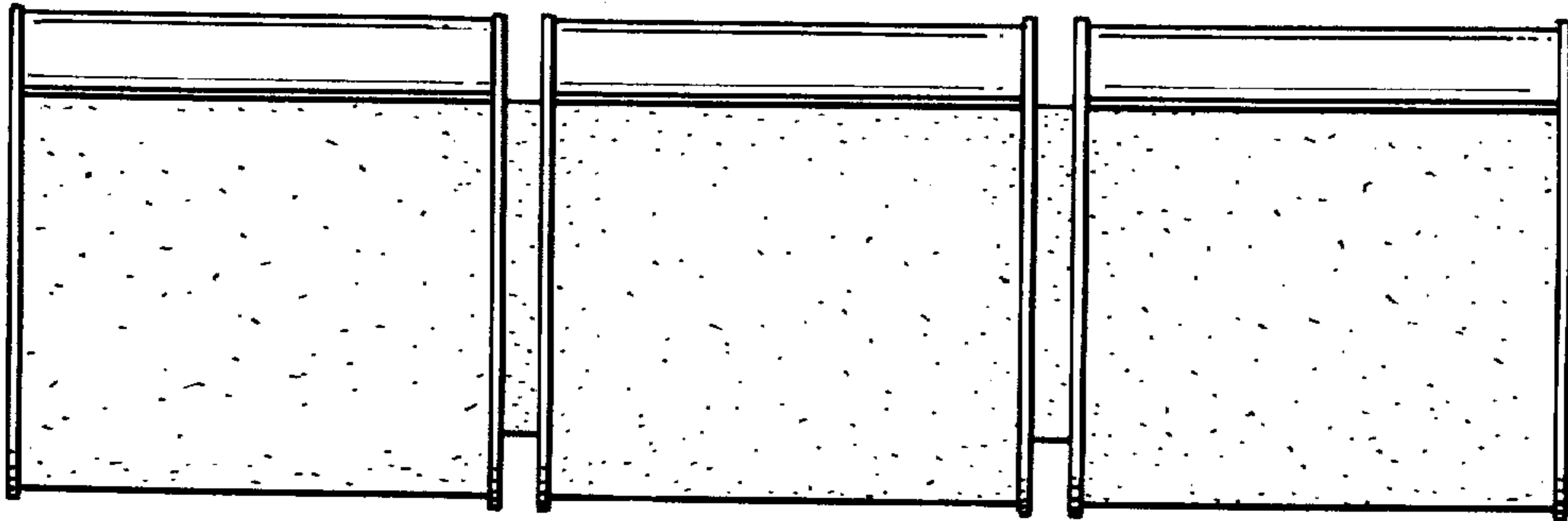


FIG. 9.

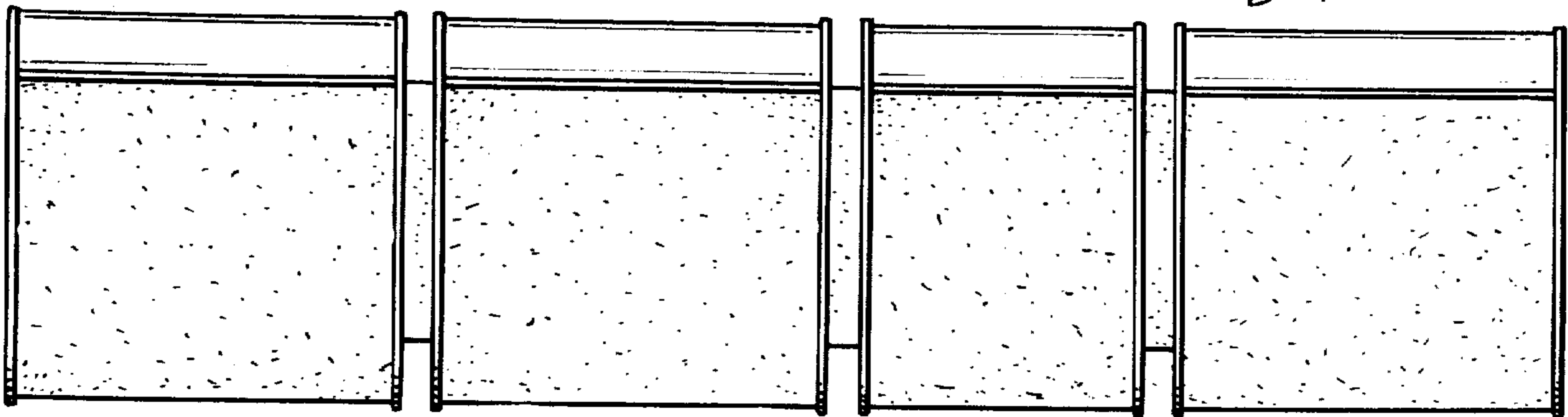


FIG. 10.

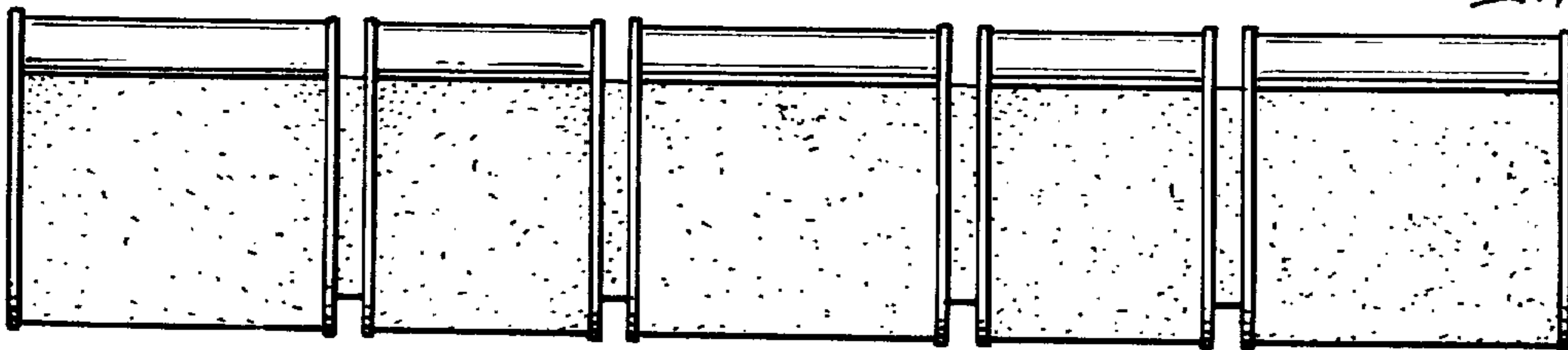


FIG. 11.