

[54] **CONTROLLED LETTERING SCRIBER**  
[75] Inventor: **Allister L. Baker**, Denville, N.J.  
[73] Assignee: **Keuffel & Esser Company**,  
Morristown, N.J.  
[\*\*] Term: **14 Years**  
[21] Appl. No.: **152,927**  
[22] Filed: **May 23, 1980**

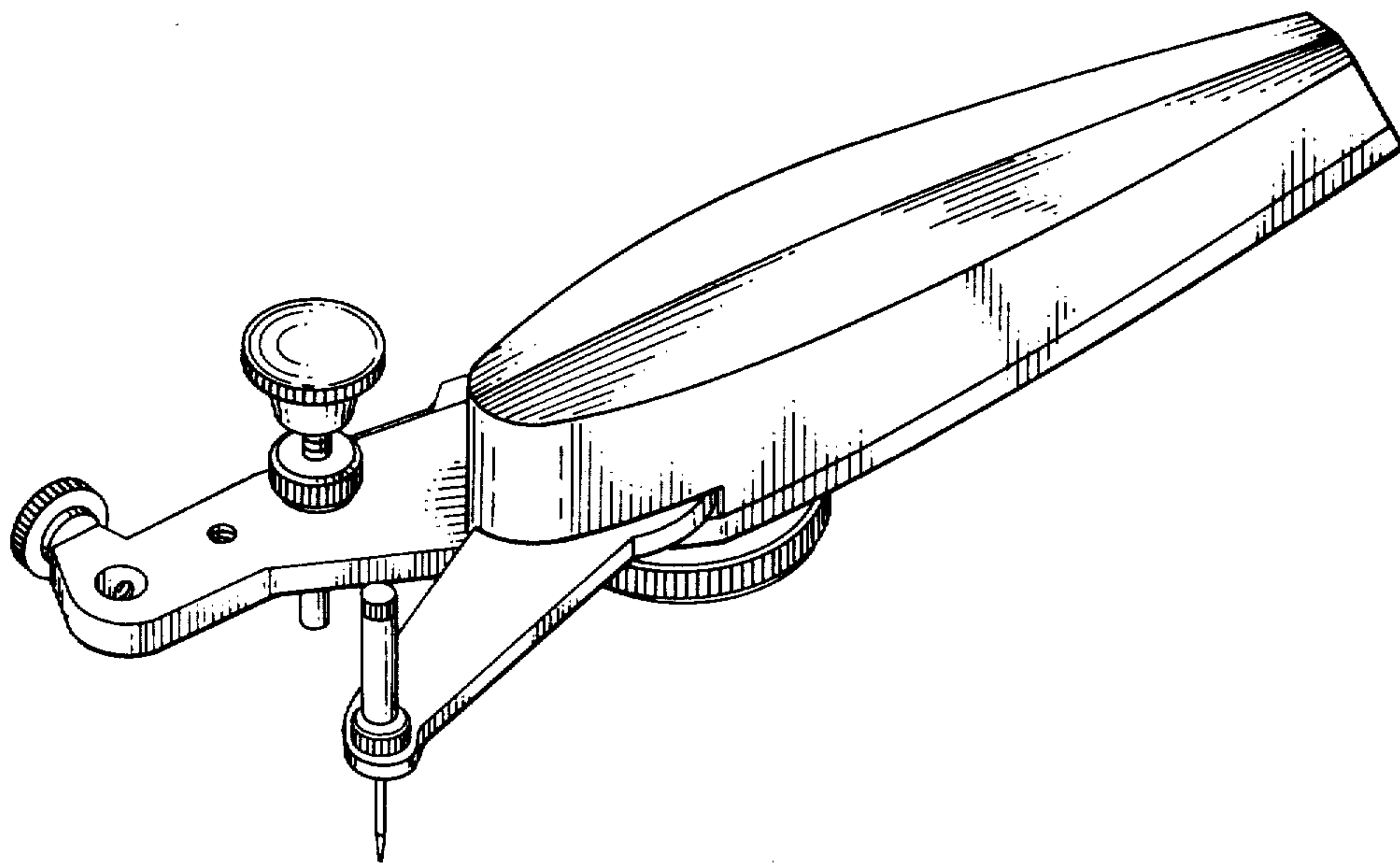
[51] Int. Cl. .... **D19—06**  
[52] U.S. Cl. .... **D19/41; D19/55**  
[58] Field of Search ..... **D19/41, 35; D10/61;**  
**401/48; 33/23 D**

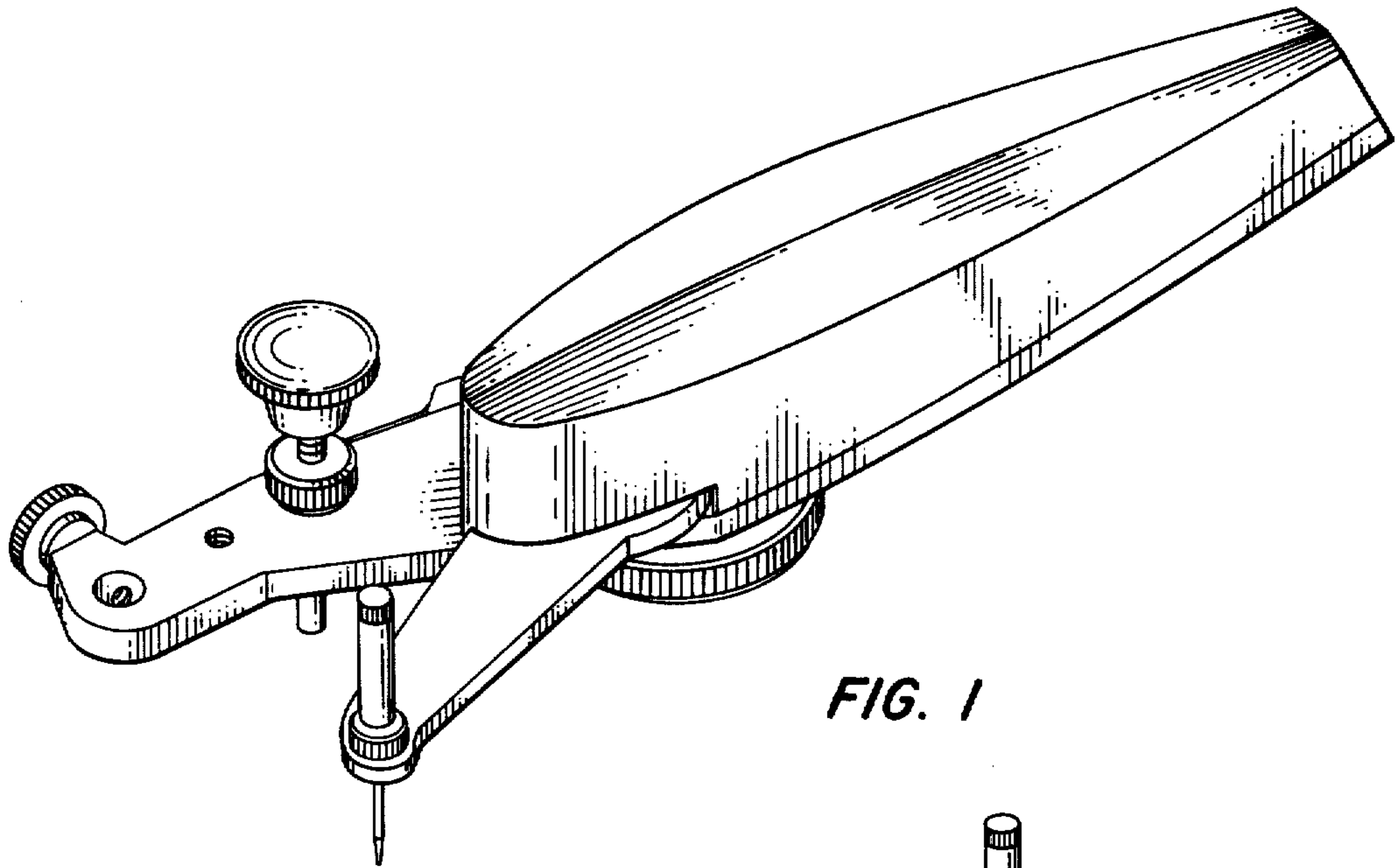
[56] **References Cited**  
**U.S. PATENT DOCUMENTS**  
3,218,717 11/1965 Hansen ..... 33/23 D  
3,276,126 10/1966 Sellen et al. .... 33/23 D  
3,440,727 4/1969 Danjczek ..... 33/23 D

*Primary Examiner*—George P. Word  
*Attorney, Agent, or Firm*—Lionel N. White

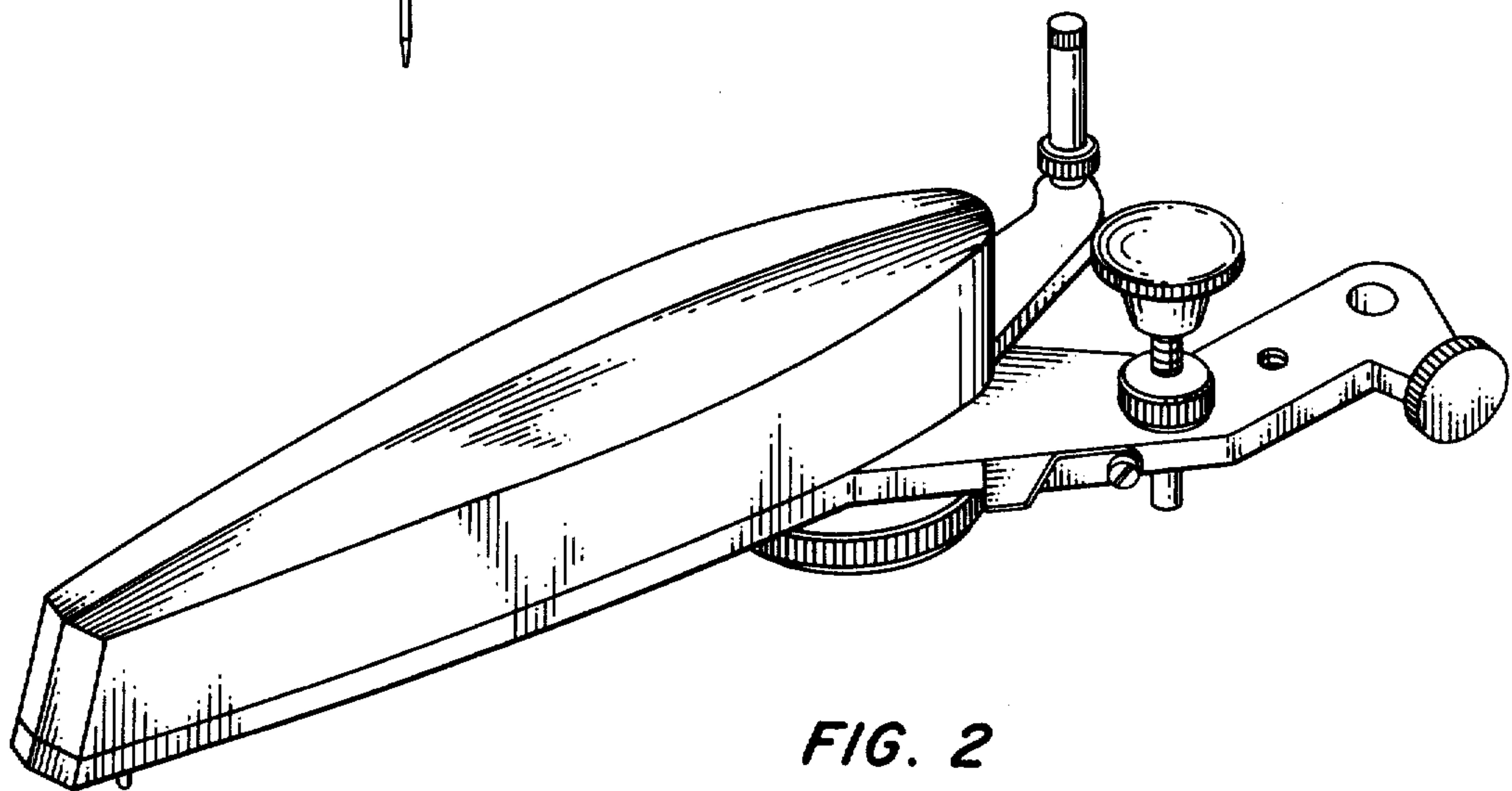
[57] **CLAIM**  
The ornamental design for a controlled lettering scribe, as shown.

**DESCRIPTION**  
FIG. 1 is a right front perspective view of a controlled lettering scribe embodying my new design; FIG. 2 is a left rear perspective view thereof; FIG. 3 is the bottom plan view thereof.

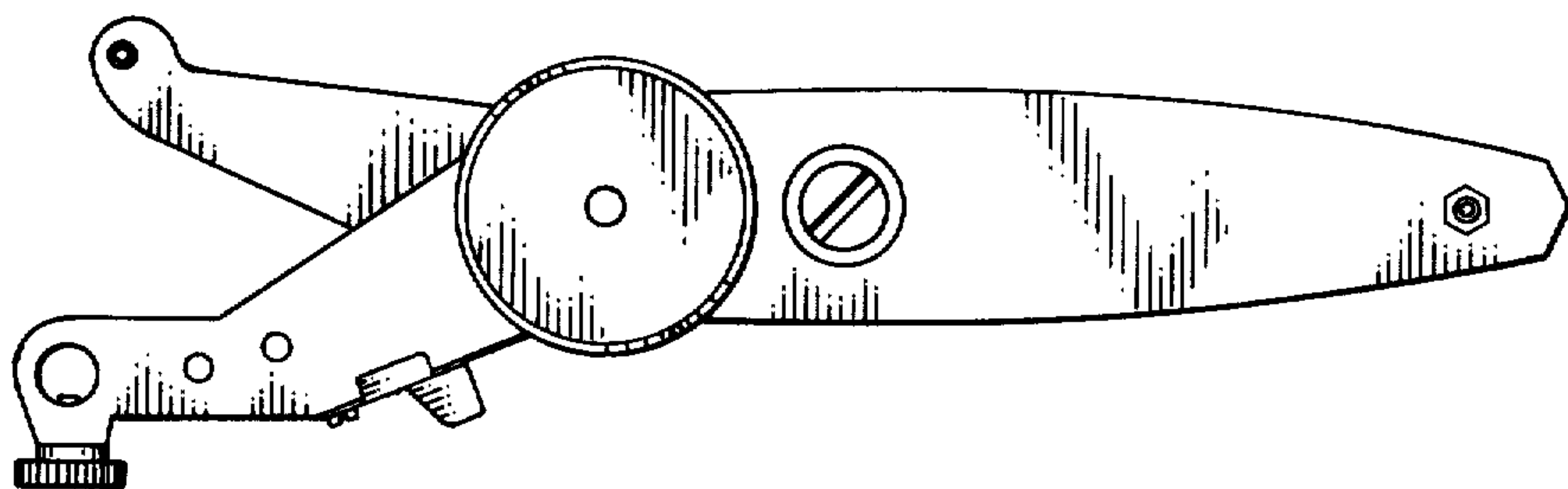




*FIG. 1*



*FIG. 2*



*FIG. 3*