

[54] ELECTRIC WALL DETERGER

[75] Inventor: William D. Chambers, Racine, Wis.

[73] Assignee: Von Schrader Company, Racine, Wis.

[\*\*] Term: 14 Years

[21] Appl. No.: 99,312

[22] Filed: Dec. 3, 1979

[51] Int. Cl. .... D15-05

[52] U.S. Cl. .... D32/15; 15/353

[58] Field of Search .... D15/34; 15/353

[56] References Cited

U.S. PATENT DOCUMENTS

3,056,994 10/1962 Noble ..... 15/353

4,015,589 4/1977 Wimsatt et al. .... 15/353

4,019,218 4/1977 Cyphert ..... 15/353

Primary Examiner—Veronica O'Keefe  
Attorney, Agent, or Firm—James E. Nilles

[57] CLAIM

The ornamental design for an electric wall detergent, substantially as shown and described.

DESCRIPTION

FIG. 1 is a perspective view of an electric wall detergent showing my new design;

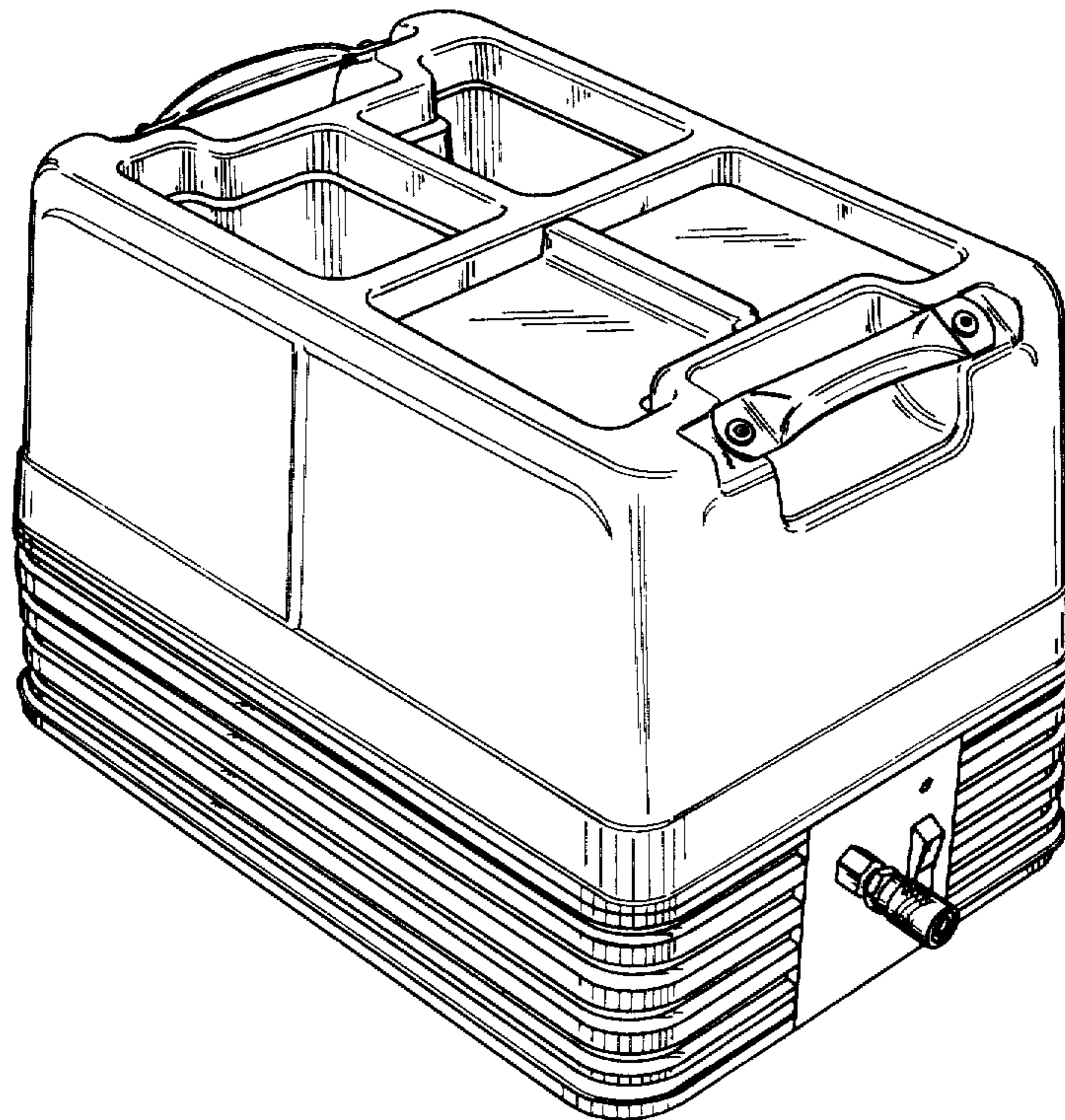
FIG. 2 is a plan view thereof;

FIG. 3 is a side view thereof, the opposite side being a mirror image thereof;

FIG. 4 is a bottom view thereof;

FIG. 5 is an end view thereof; and

FIG. 6 is a view of the end opposite to the FIG. 5 showing, of the electric wall detergent.



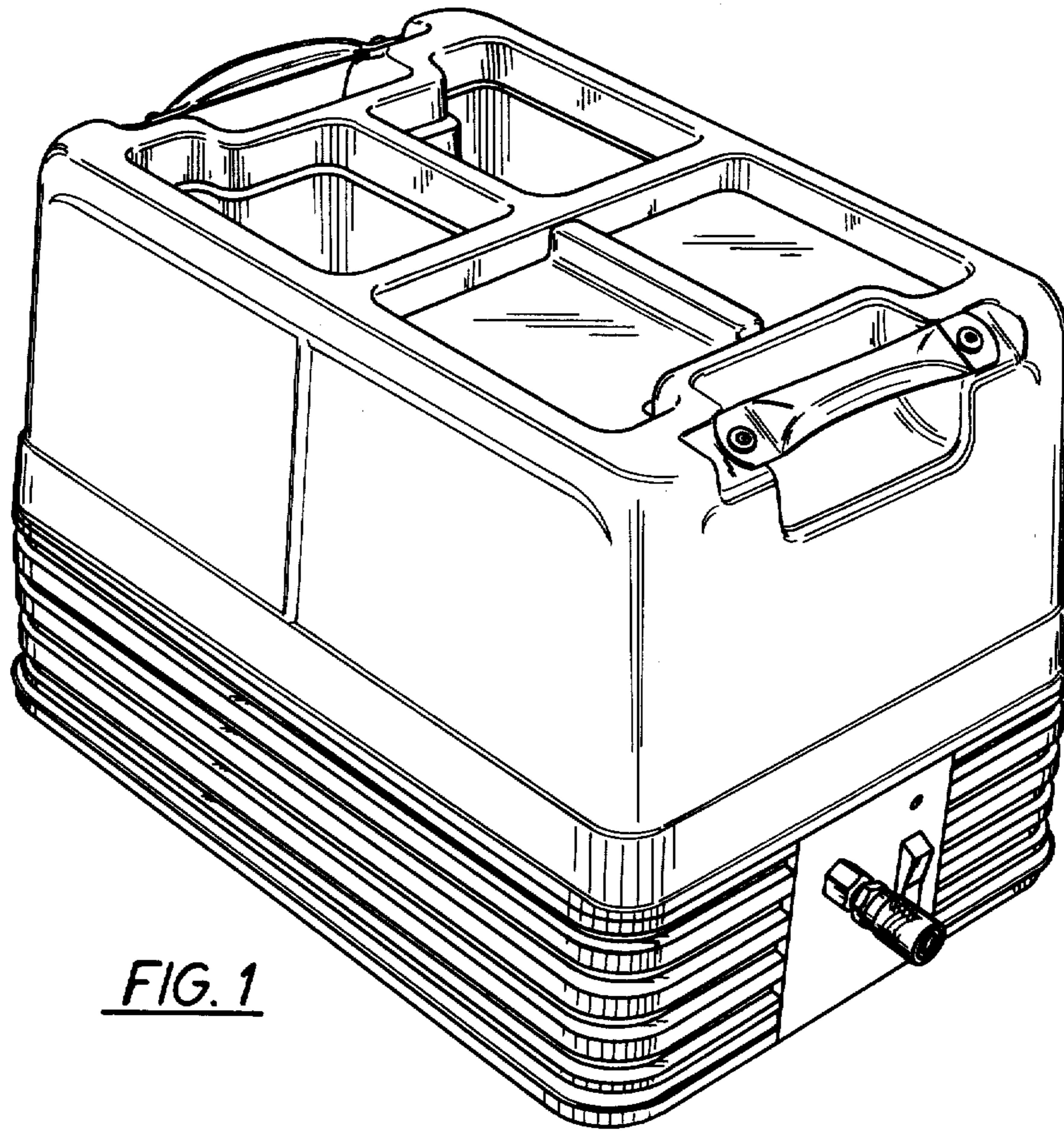


FIG. 1

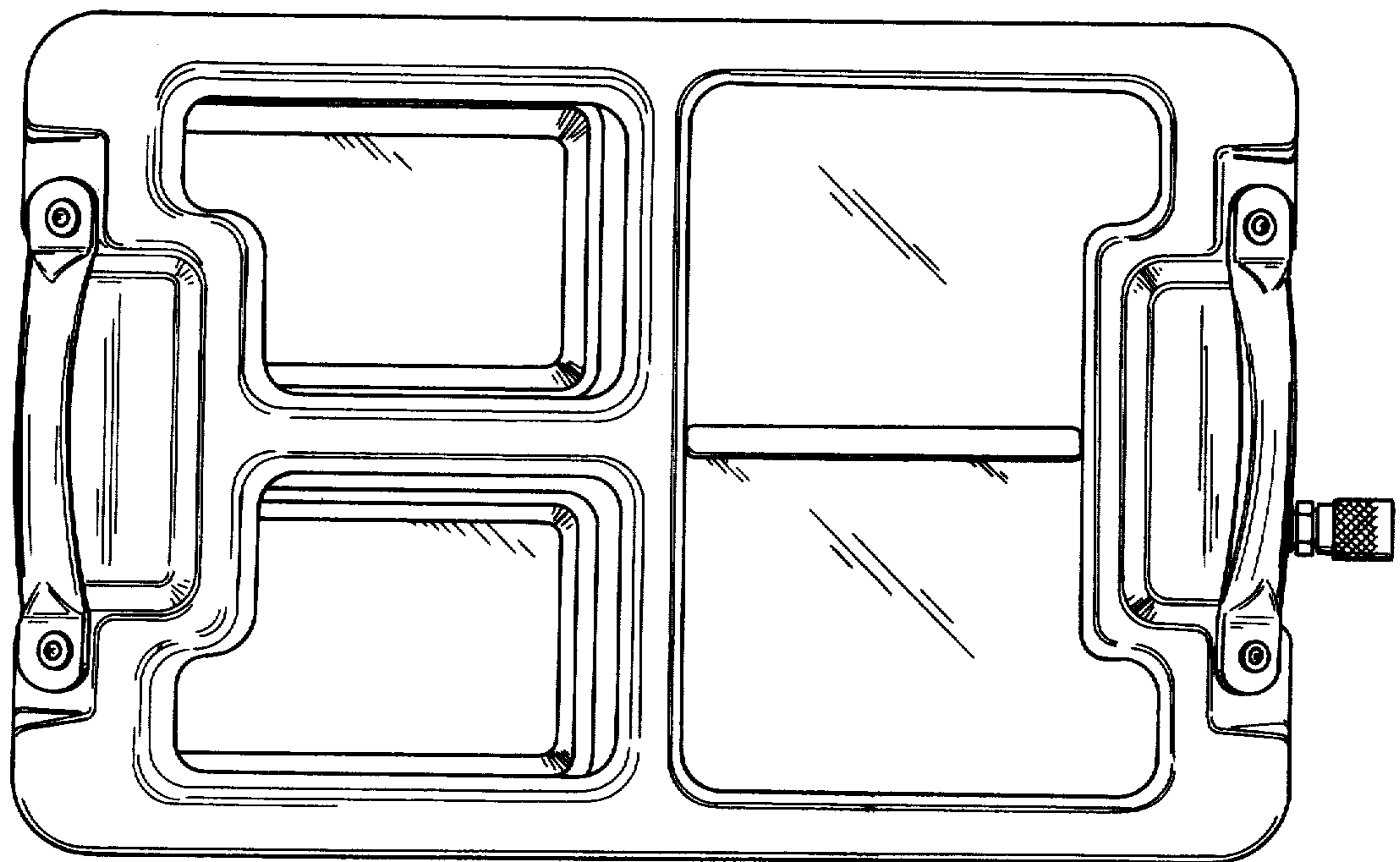


FIG. 2

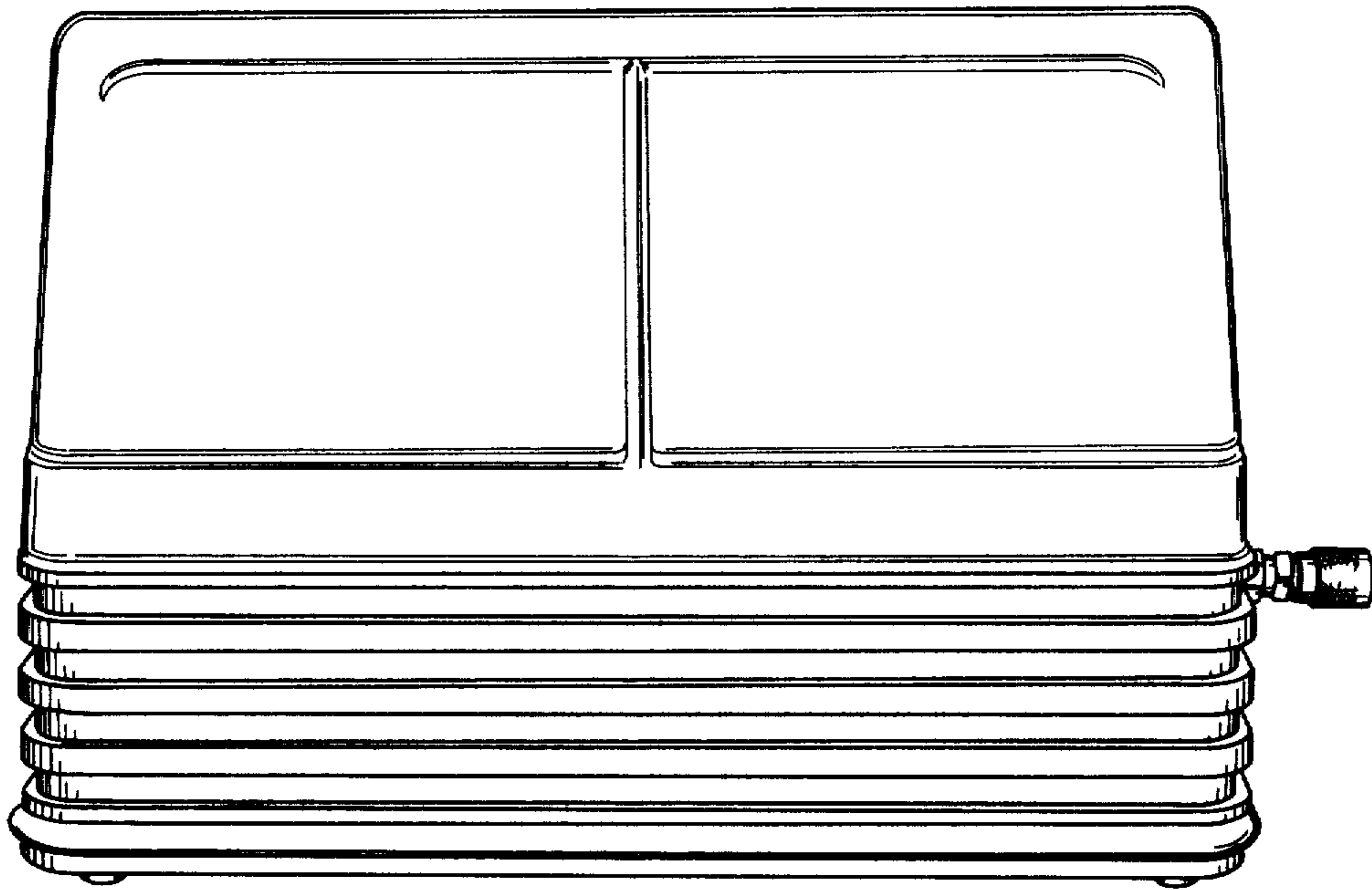


FIG. 3

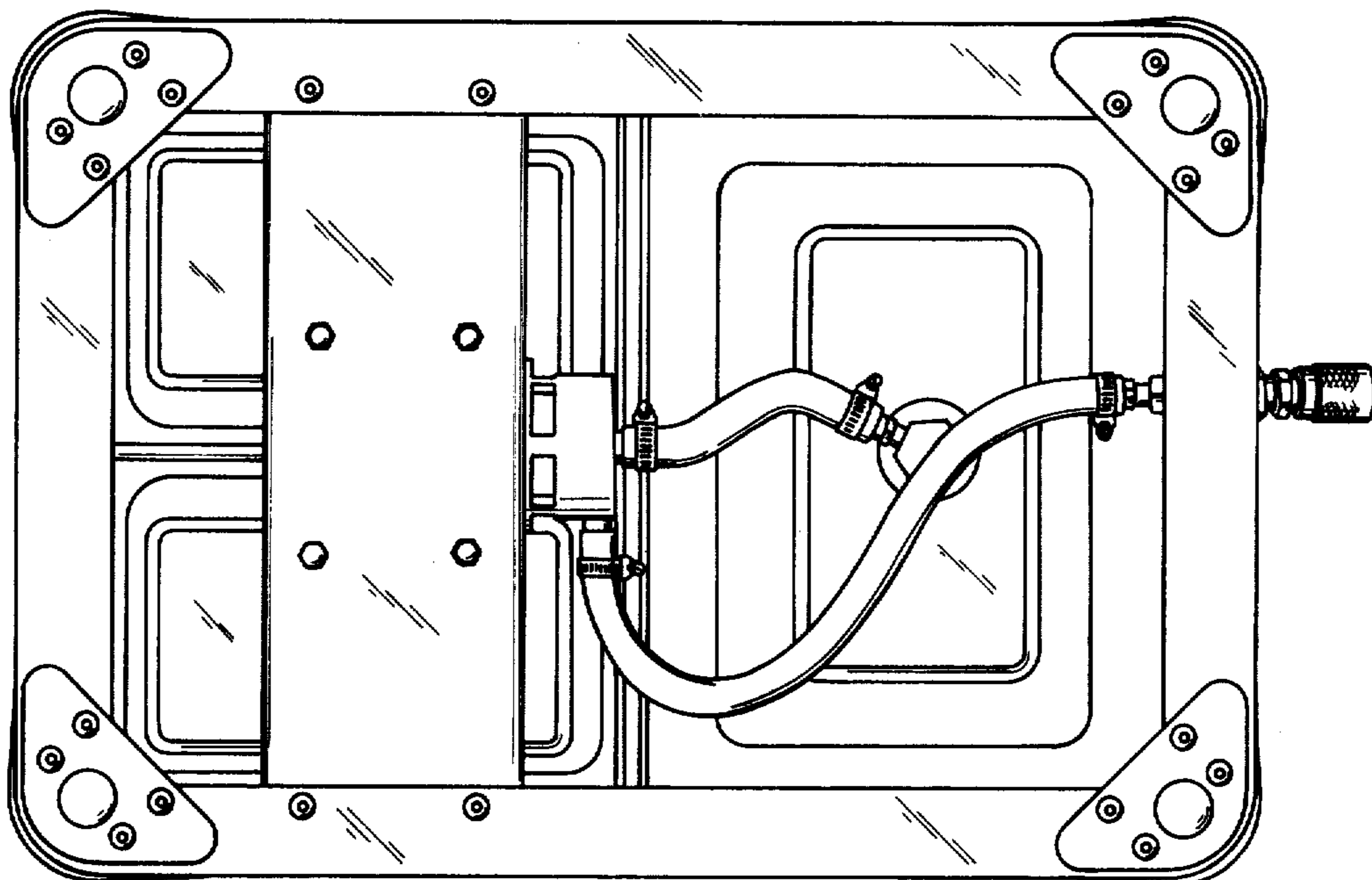


FIG. 4



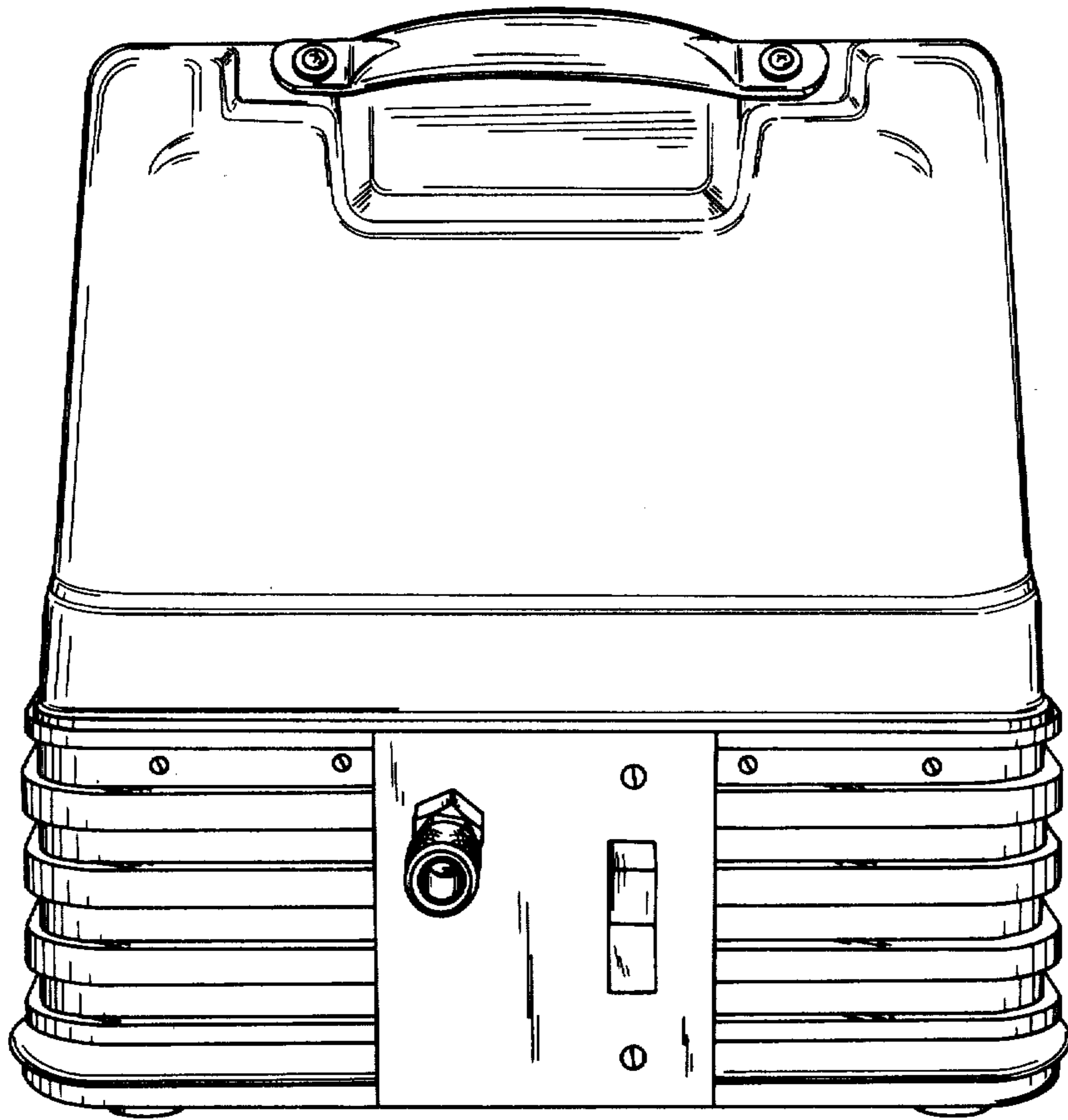


FIG. 5

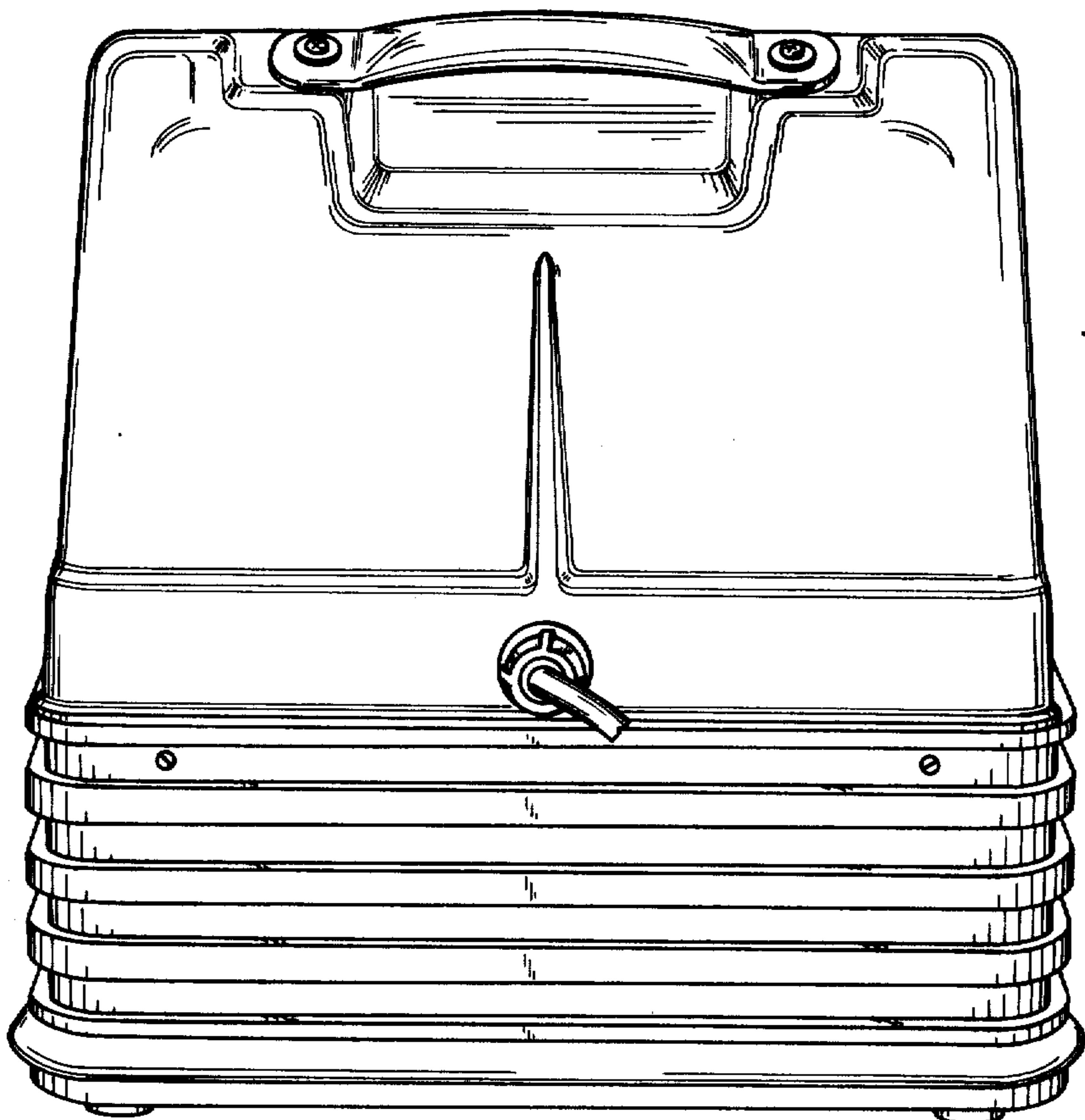


FIG. 6