

[54] FEED ROLL FOR SEED PLANTER

1,218,421 3/1917 Larsson 222/368
3,758,004 9/1973 Garrett et al. 222/368

[75] Inventor: James L. Mitchell, Meridian, Miss.

Primary Examiner—Veronica O’Keefe
Attorney, Agent, or Firm—Woodford R. Thompson

[73] Assignee: Northcote Corporation, Electric Mills, Miss.

[57] CLAIM

[**] Term: 14 Years

The ornamental design for a feed roll for seed planter, as shown and described.

[21] Appl. No.: 99,981

[22] Filed: Dec. 3, 1979

DESCRIPTION

[51] Int. Cl. D15—03

[52] U.S. Cl. D15/28; D34/29;
D23/163; 198/318; 221/265; 221/266;
222/311; 222/368

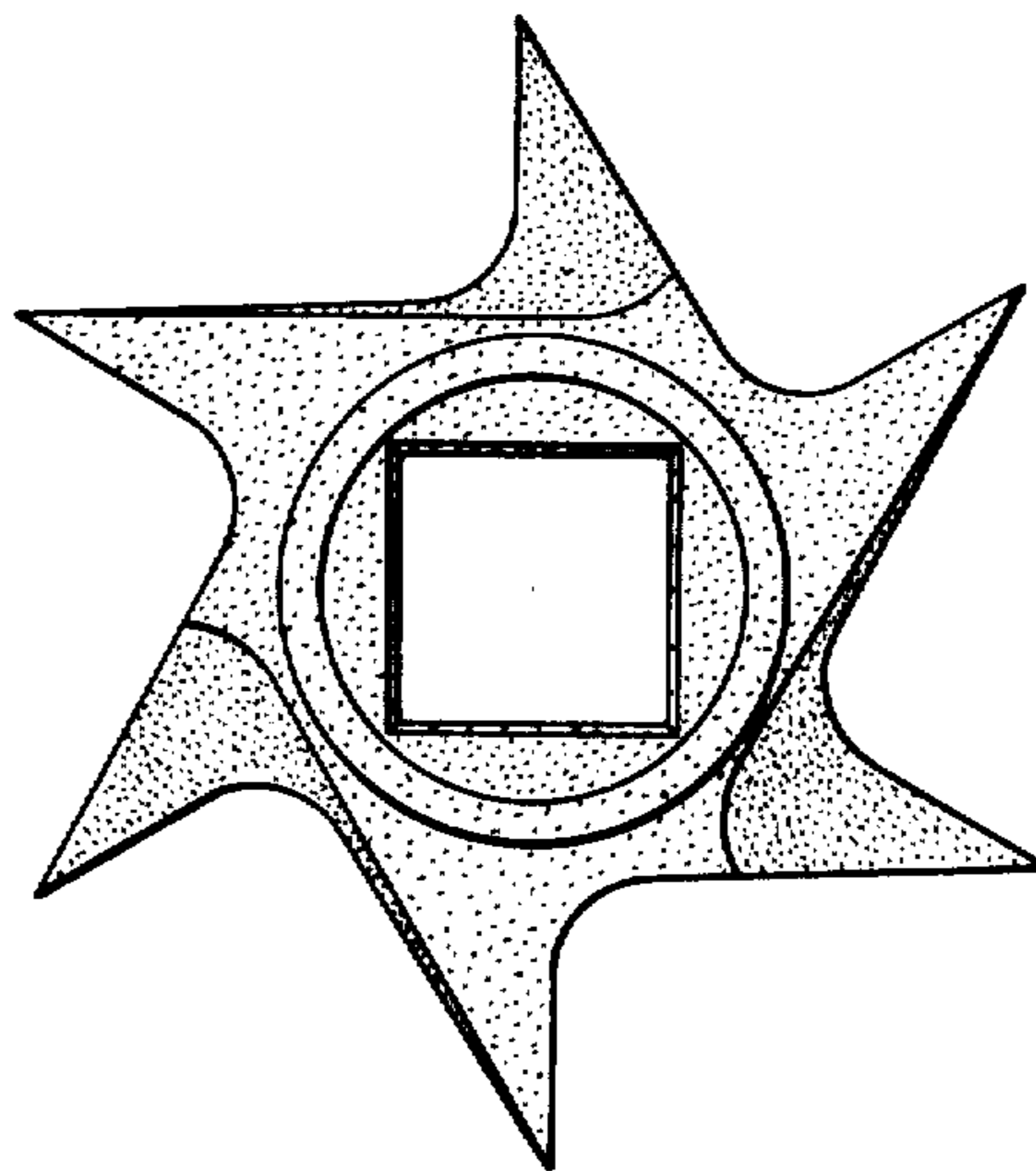
[58] Field of Search D15/28; 198/318;
D12/60; D23/163; 221/265, 266; 222/311, 368

FIG. 1 is a perspective view of a feed roll for seed planter showing my new design;
FIG. 2 is a perspective view of the side opposite that shown in FIG. 1;
FIG. 3 is a side elevational view thereof;
FIG. 4 is a side elevational view showing the side opposite that shown in FIG. 3;
FIG. 5 is an elevational view as viewed from the left side of FIG. 3;
FIG. 6 is an elevational view as viewed from the right side of FIG. 3;
FIG. 7 is a top plan view looking down on FIG. 3; and, FIG. 8 is a bottom view thereof.

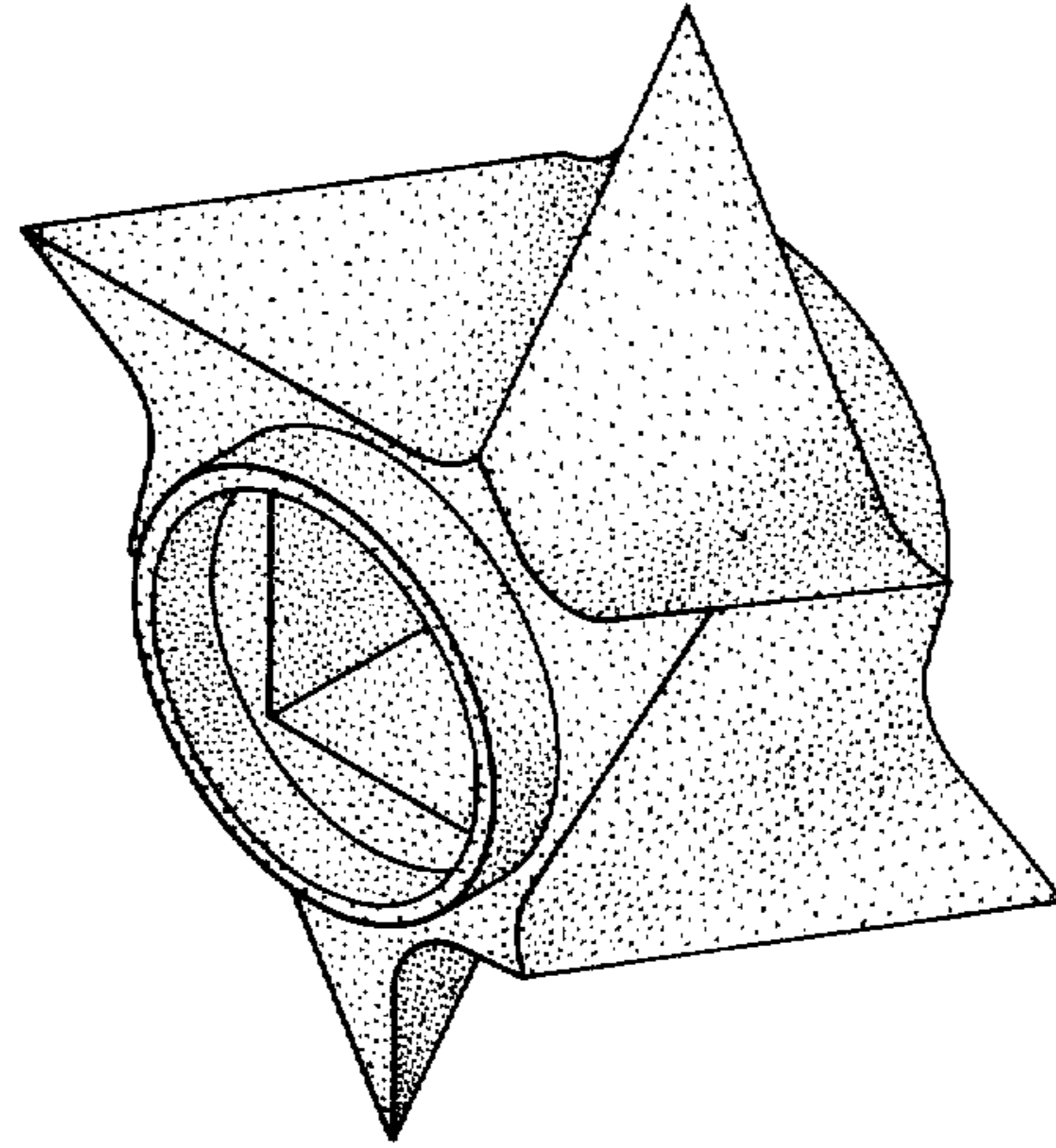
[56] References Cited

U.S. PATENT DOCUMENTS

- D. 31,899 11/1899 Brown D23/163
- D. 235,020 4/1975 Holt D23/163
- 818,396 4/1906 Torres 222/311



FIG_1



FIG_2

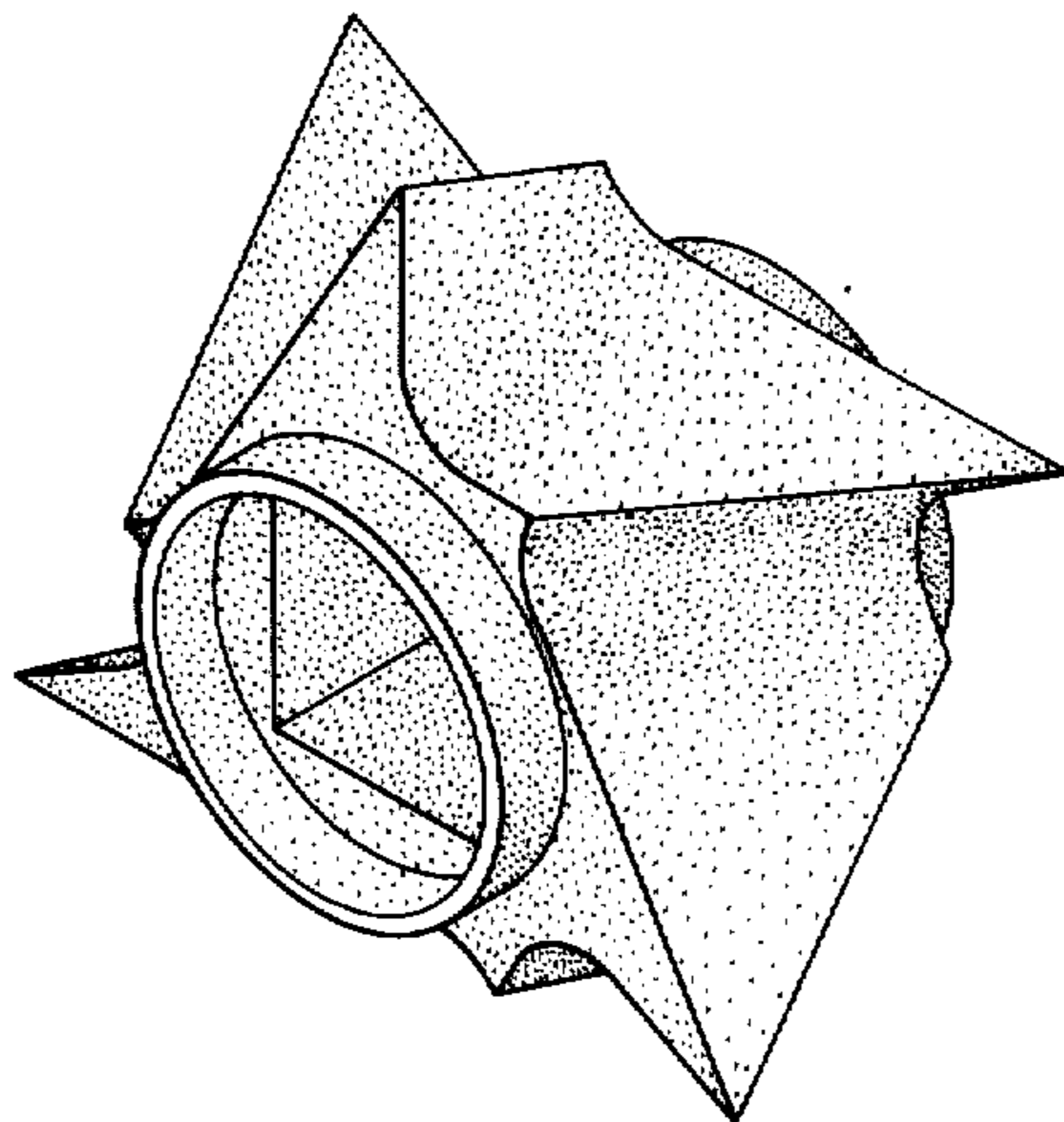


FIG. 3

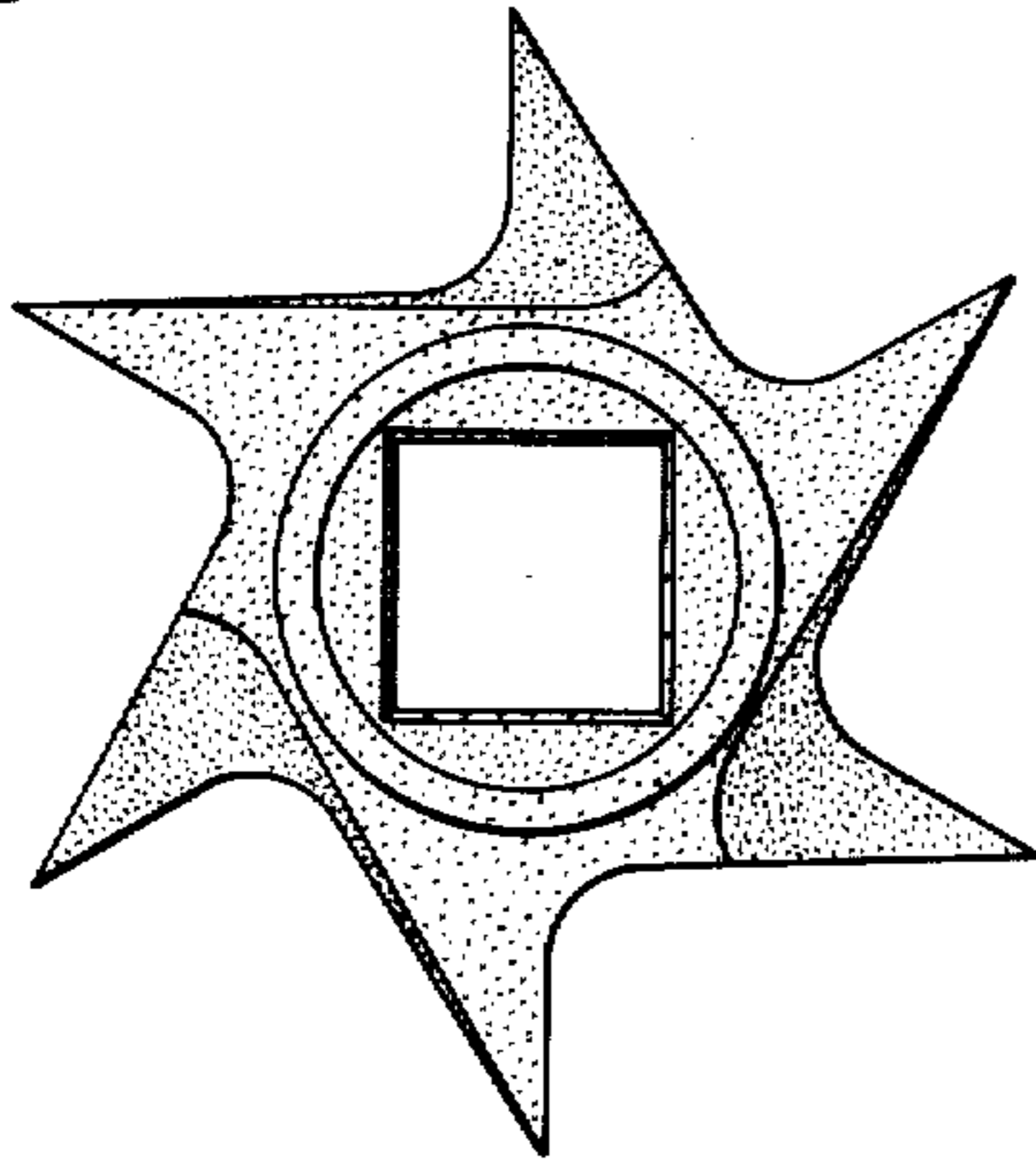


FIG. 4

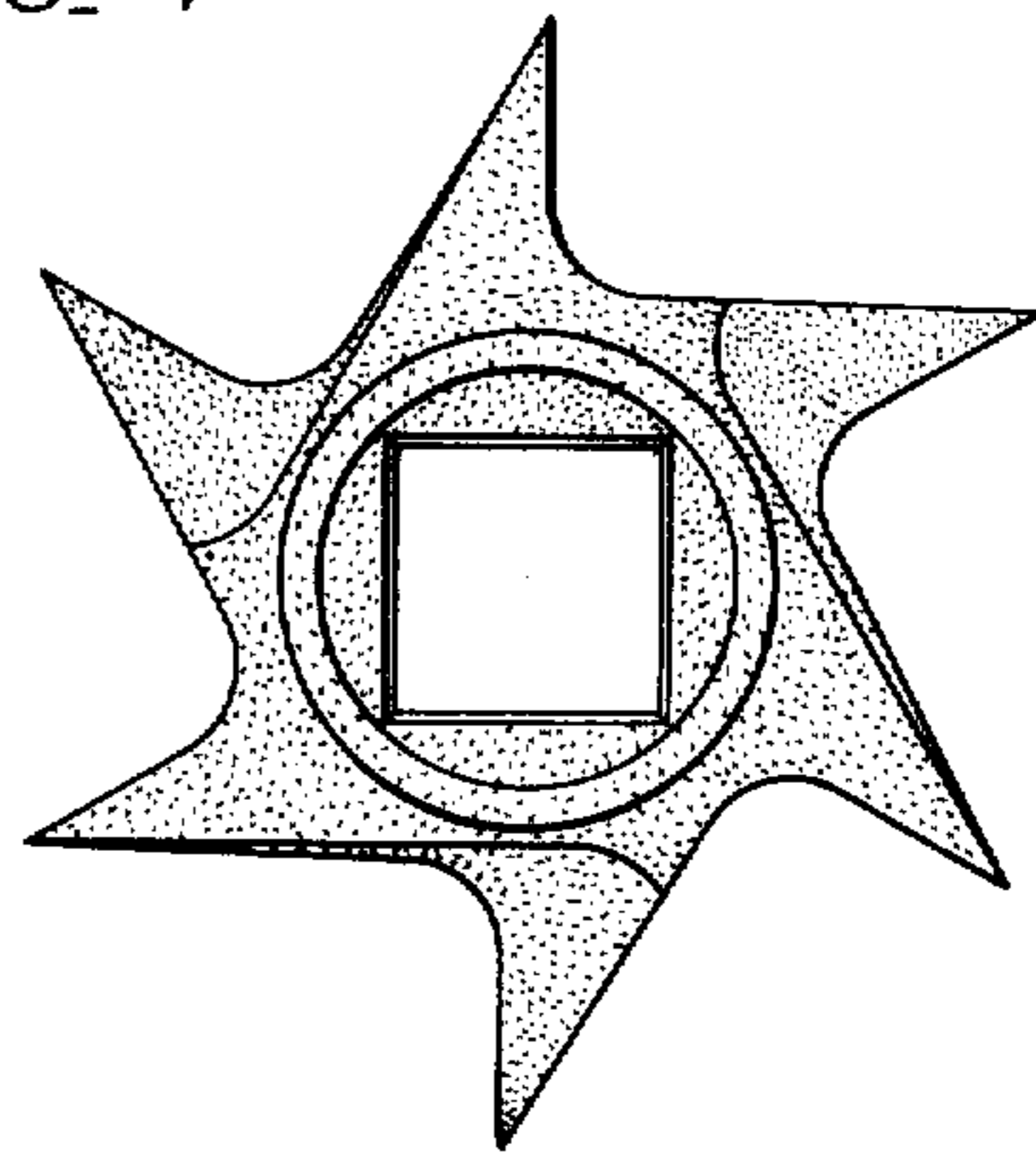


FIG. 5

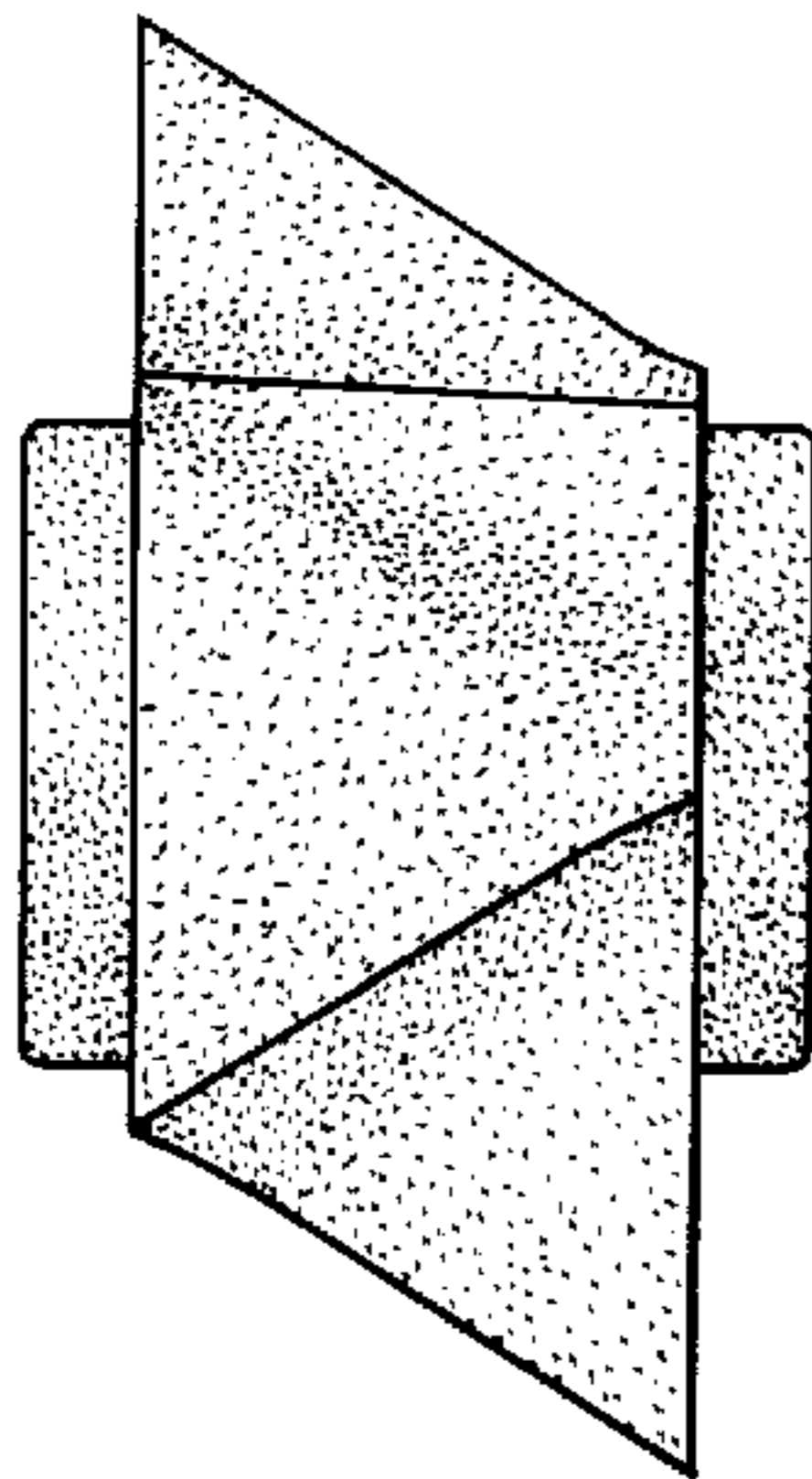


FIG. 6

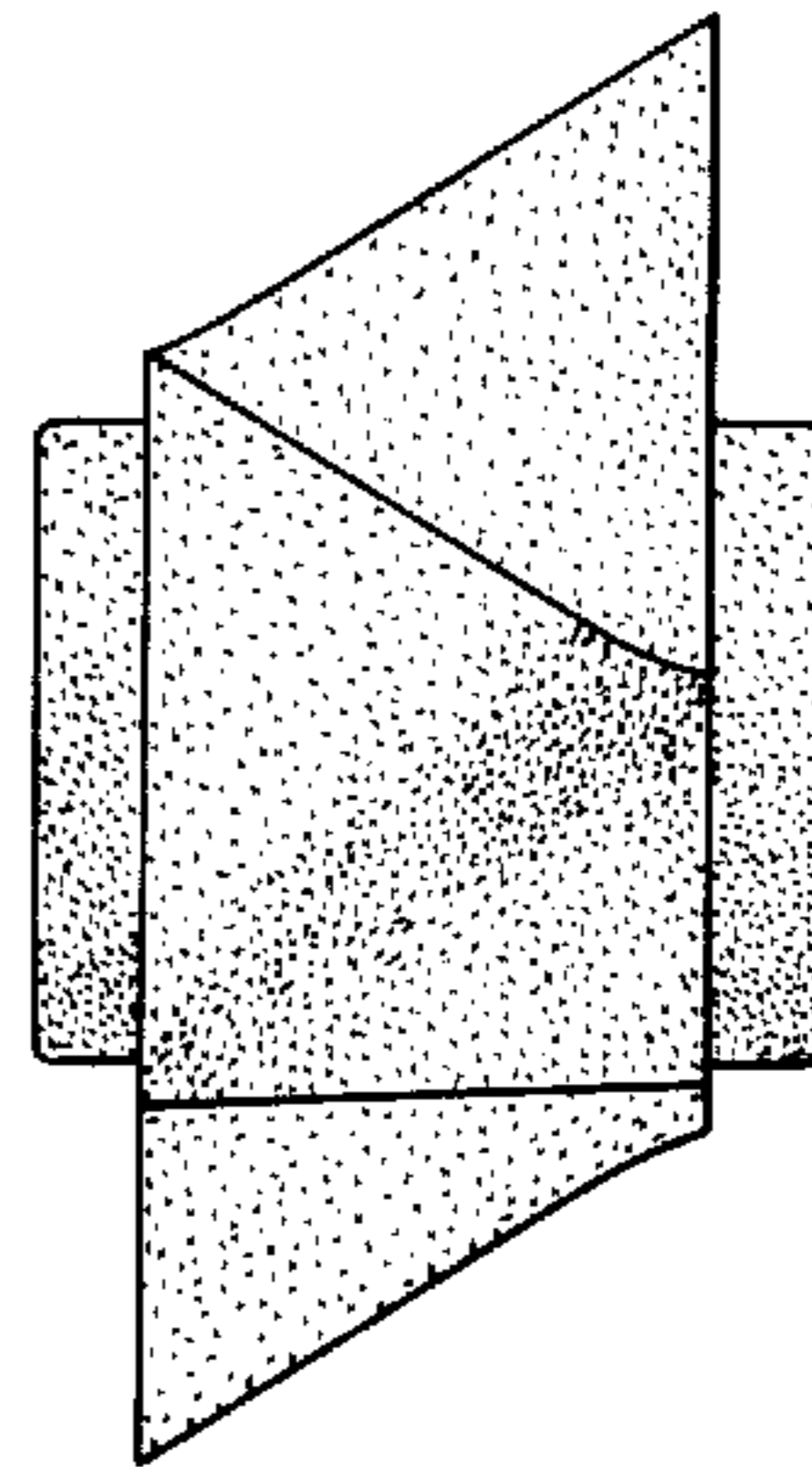


FIG. 7

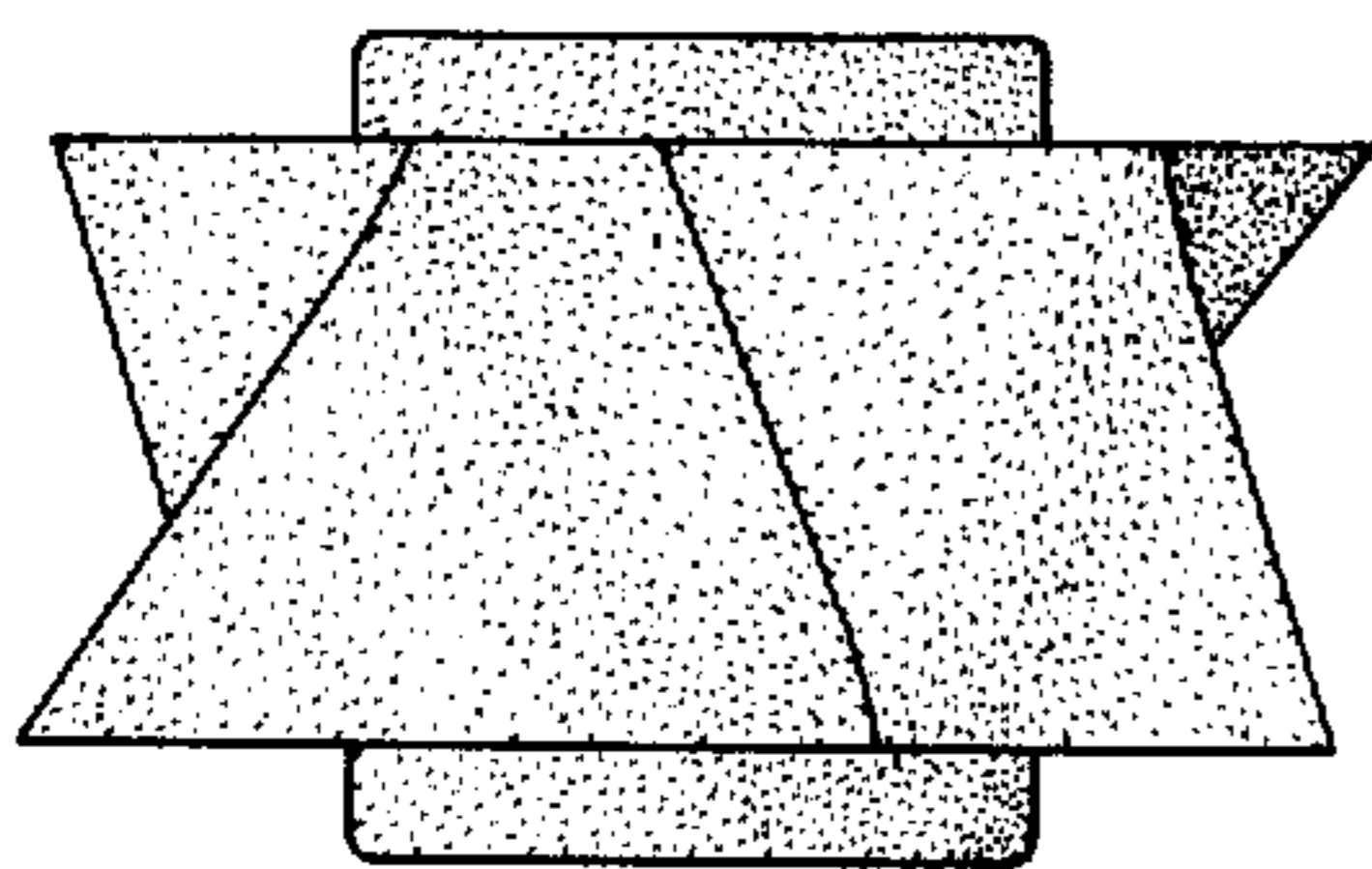


FIG. 8

