

[54] ANTENNA HOUSING OR SIMILAR ARTICLE

[75] Inventors: Keith B. Cowan, Arvada, Colo.; Jerry L. VonBehren, Burlington, Iowa

[73] Assignee: Winegard Company, Burlington, Iowa

[**] Term: 14 Years

[21] Appl. No.: 47,752

[22] Filed: Jun. 12, 1979

[51] Int. Cl. D14-03

[52] U.S. Cl. D14/90; D14/88

[58] Field of Search 343/872, 709; D14/90, D14/88, 91

[56] References Cited

U.S. PATENT DOCUMENTS

D. 160,915	11/1950	Arnold et al.	D14/90
D. 223,610	5/1972	Walderat	D14/90
D. 244,866	6/1977	Di Meo	D14/91
3,662,260	5/1972	Thomas et al.	343/709
3,916,416	10/1975	Lewis	343/872 X

Primary Examiner—Bernard Ansher
Attorney, Agent, or Firm—Robert Dorr

[57] CLAIM

The ornamental design for an antenna housing or similar article, as shown and described.

DESCRIPTION

FIG. 1 is a perspective view of an antenna housing or similar article showing our new design; FIG. 2 is a side perspective view thereof; FIG. 3 is a top plan view thereof; FIG. 4 is a side elevation thereof; FIG. 5 is a rear elevation thereof; FIG. 6 is a bottom plan view thereof; and FIG. 7 is a front elevation thereof.

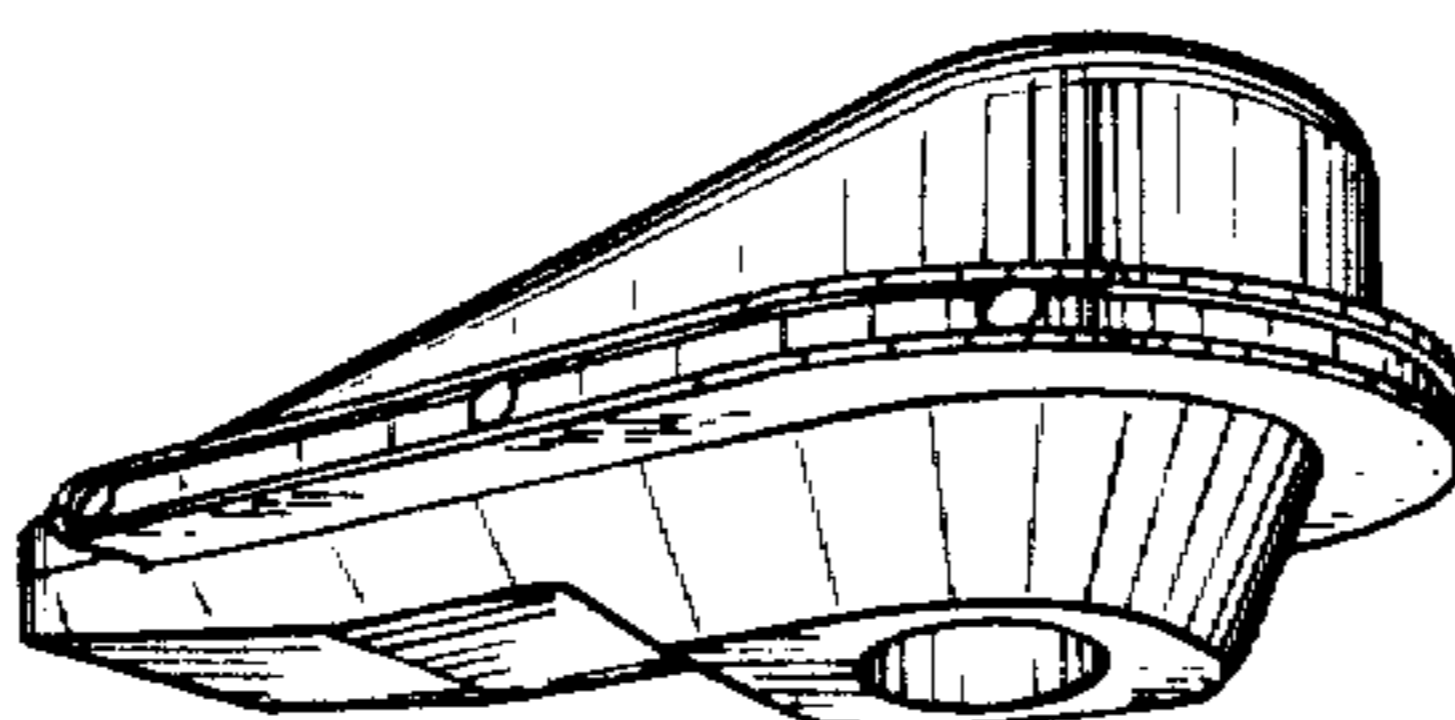
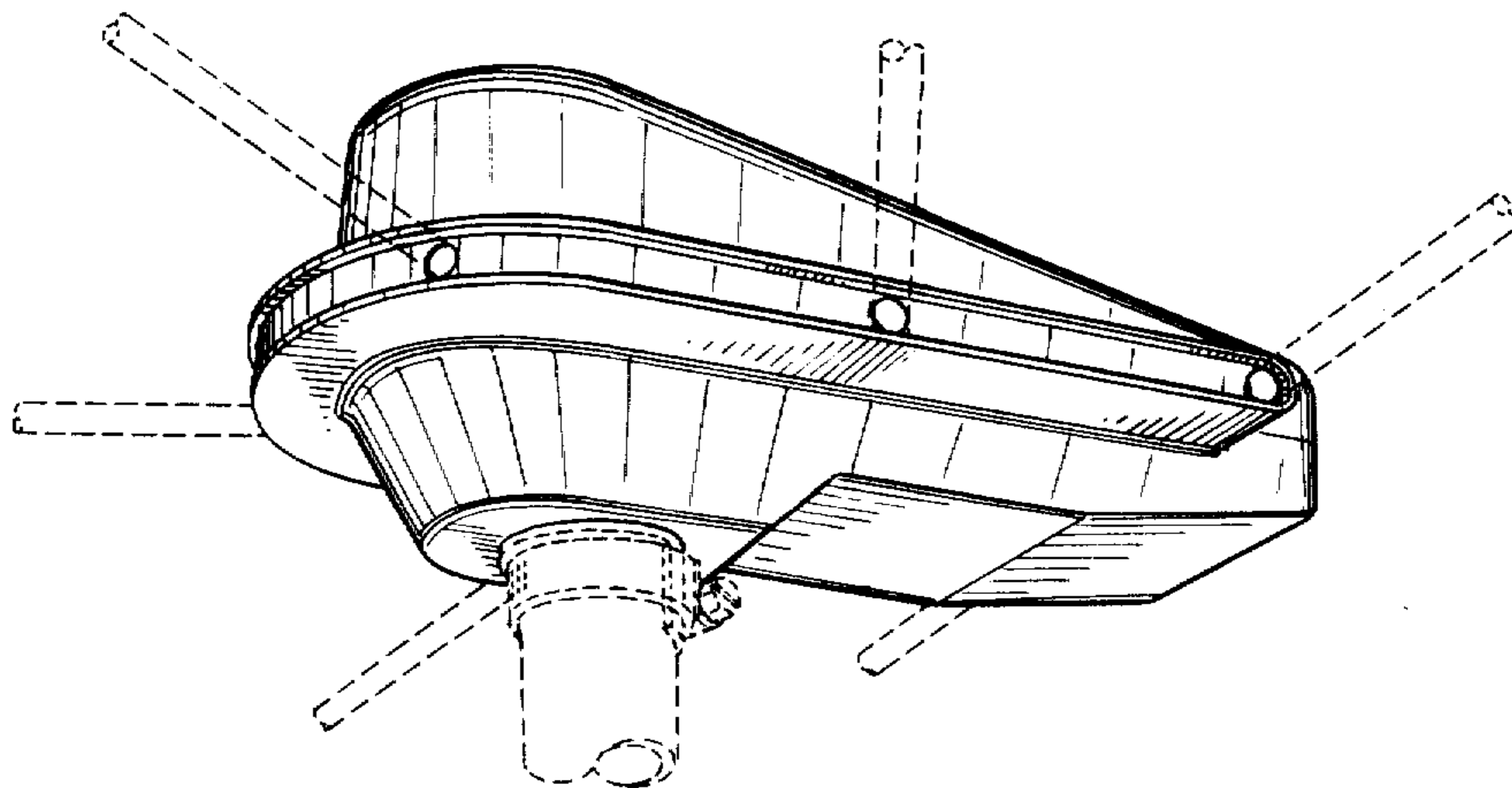


FIG. 1

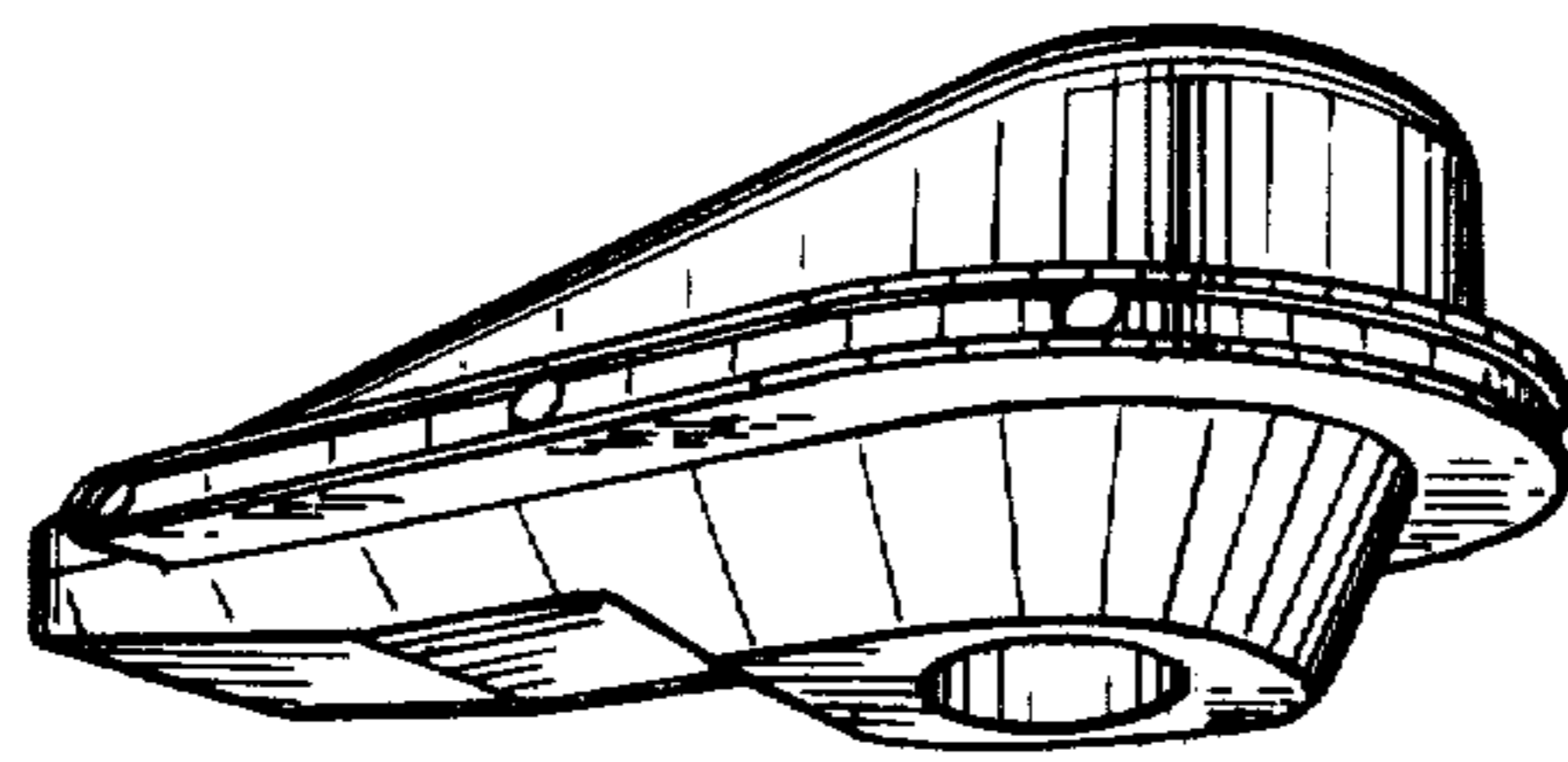
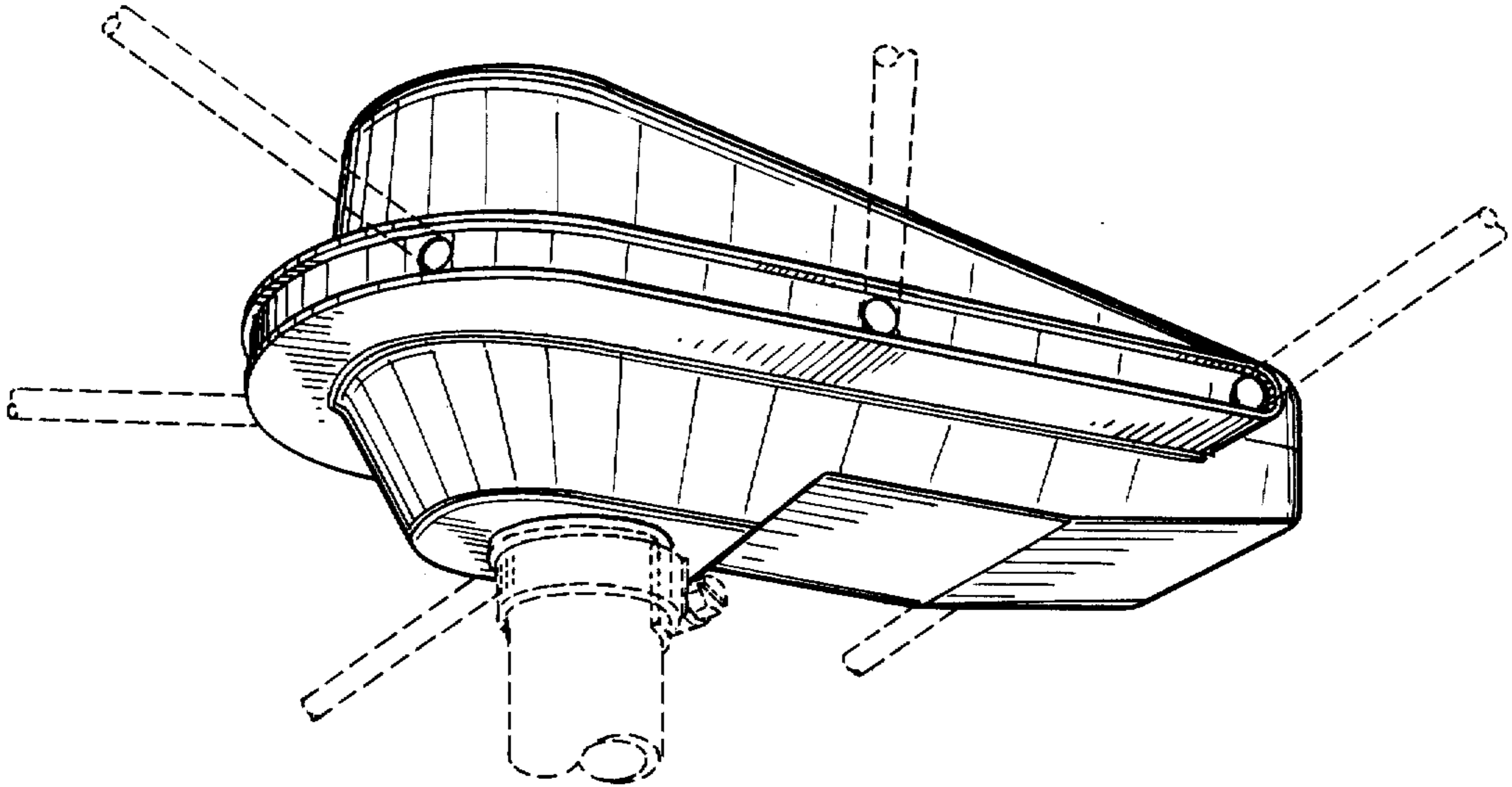


FIG. 2

FIG. 3

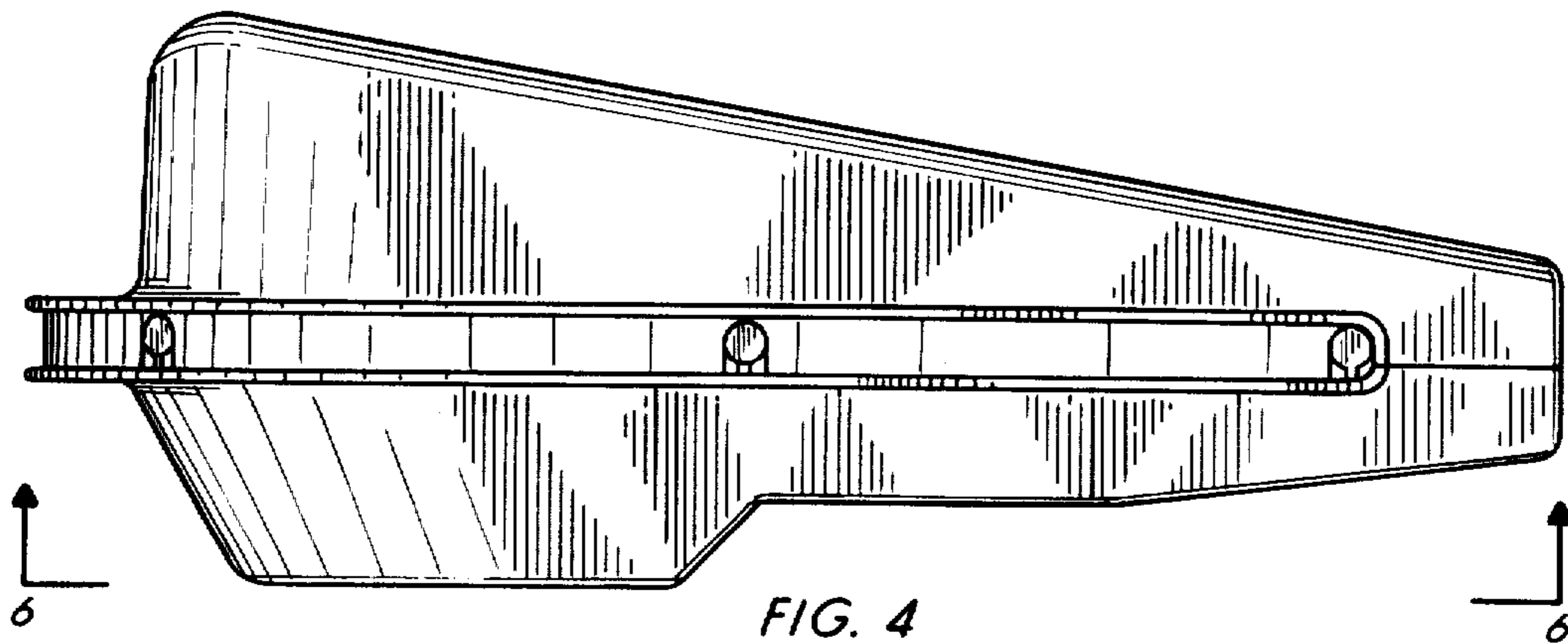
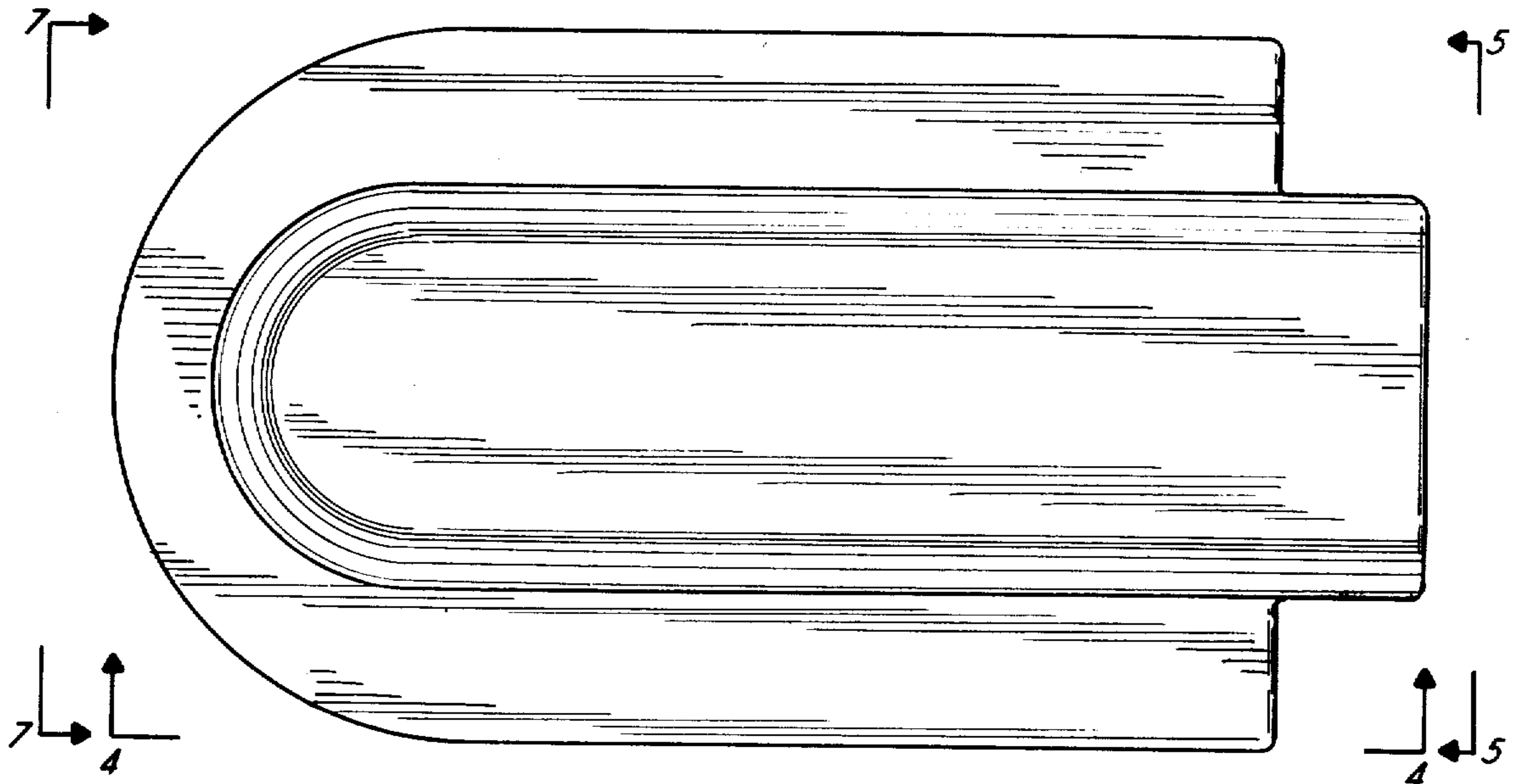


FIG. 4

FIG. 5

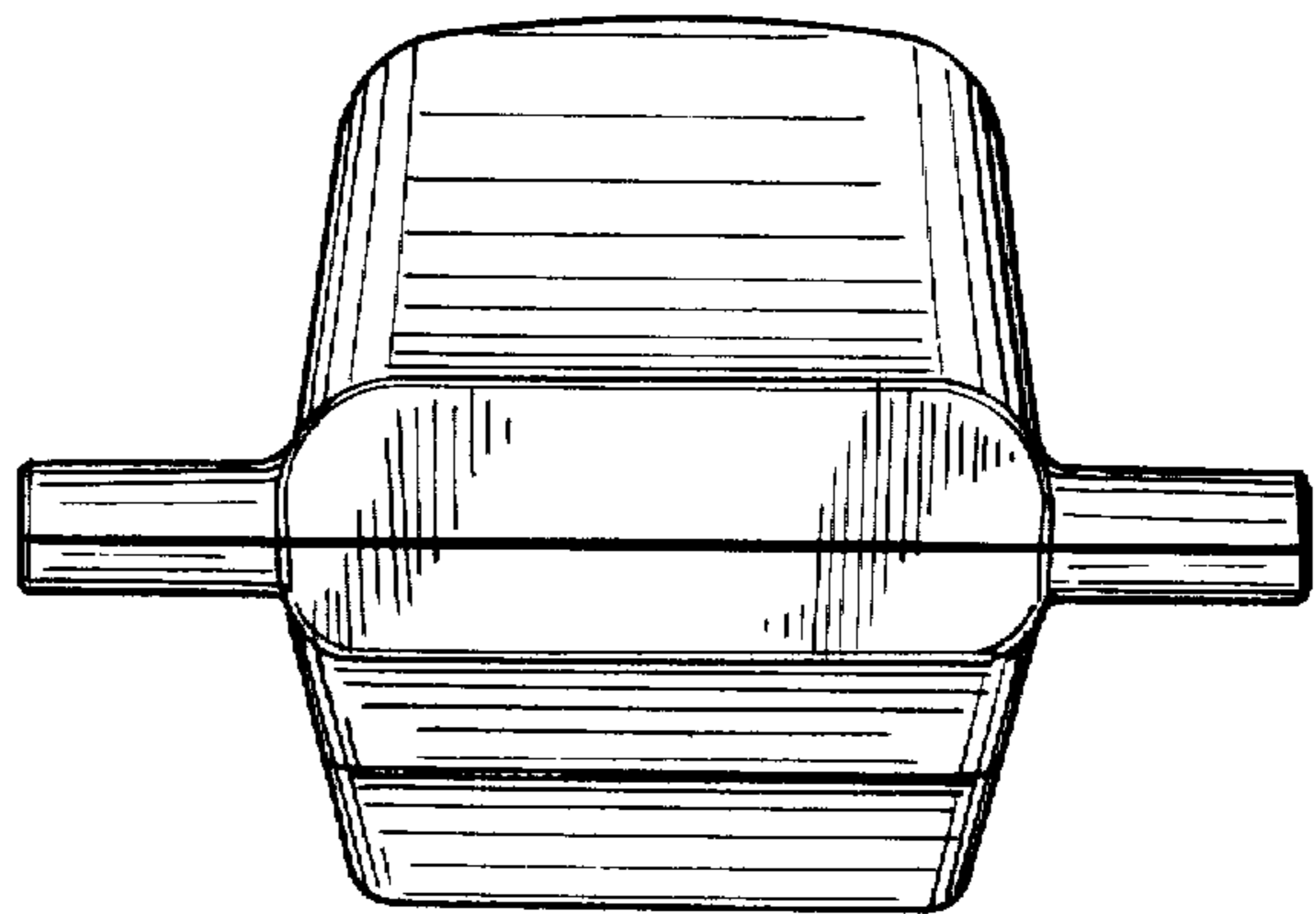


FIG. 6

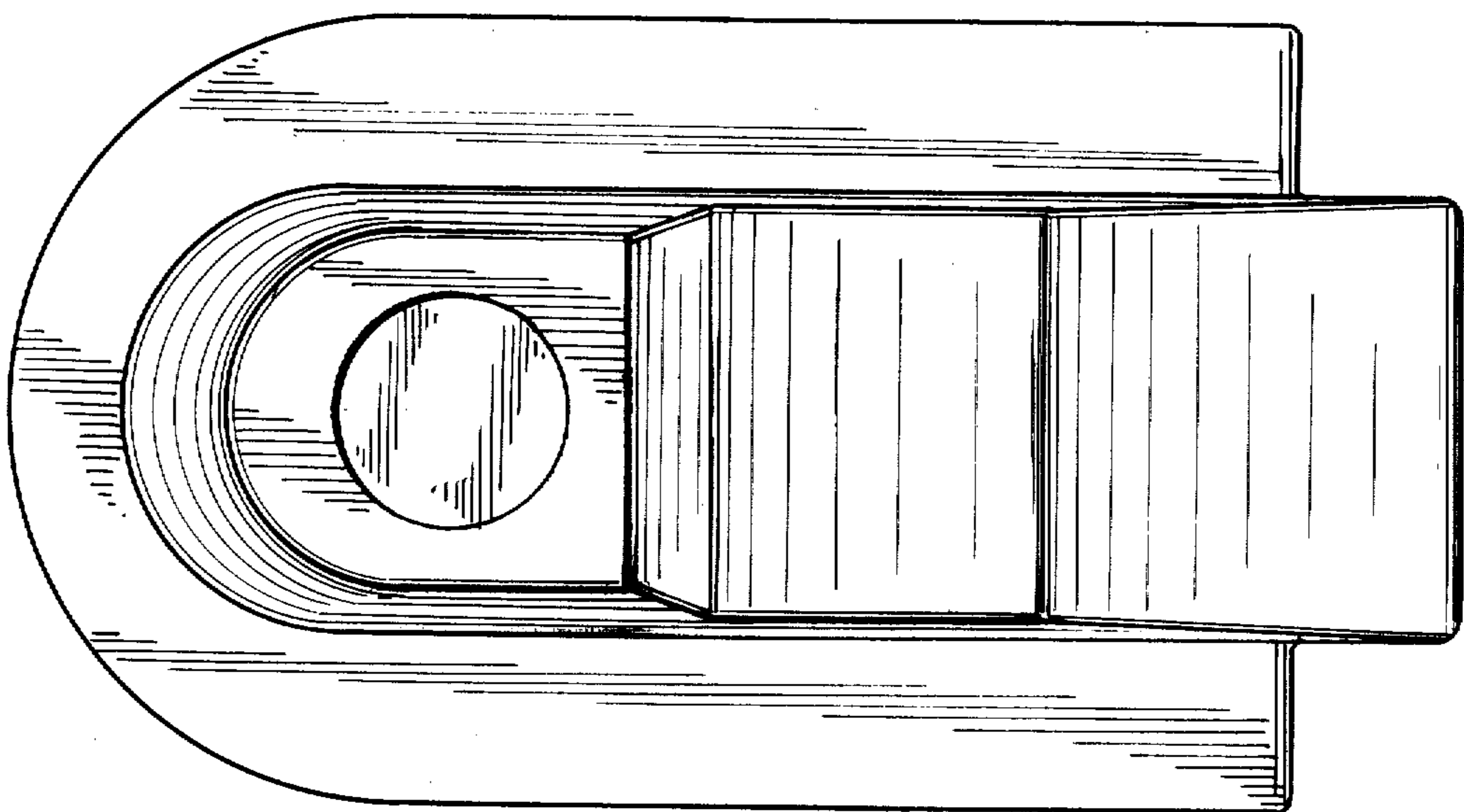


FIG. 7

