

[54] HIGH FREQUENCY PROBE

[75] Inventors: Edward E. Aslan, Plainview; Adeline W. Jahelka, Beechhurst, both of N.Y.

[73] Assignee: The Narda Microwave Corporation, Plainview, N.Y.

[**] Term: 14 Years

[21] Appl. No.: 54,134

[22] Filed: Jul. 2, 1979

[51] Int. Cl. D10-99

[52] U.S. Cl. D10/103; D24/99

[58] Field of Search D10/47, 103; D24/99; 250/336; 343/703

[56] References Cited

U.S. PATENT DOCUMENTS

D. 221,587	8/1971	Aslan	D10/47 X
D. 221,588	8/1971	Aslan	D10/103
3,641,439	2/1972	Aslan	250/336

Primary Examiner—Bernard Ansher
Attorney, Agent, or Firm—Eisenman, Allsopp & Strack

[57] CLAIM

The ornamental design for a high frequency probe, as shown and described.

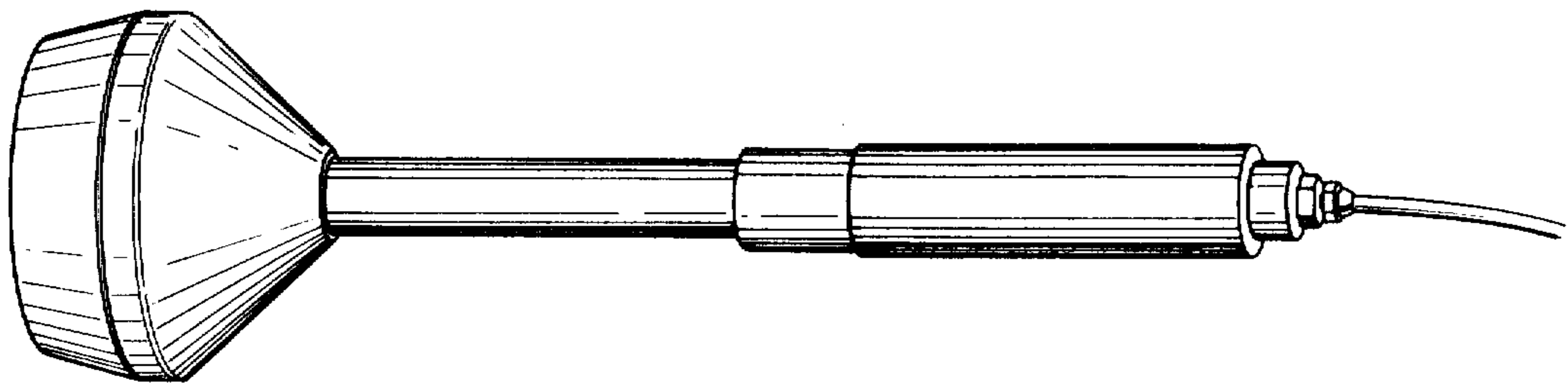
DESCRIPTION

FIG. 1 is a perspective view of a high frequency probe embodying our new design;

FIG. 2 is a side view in elevation thereof;

FIG. 3 is a front view thereof; and

FIG. 4 is a rear view thereof.



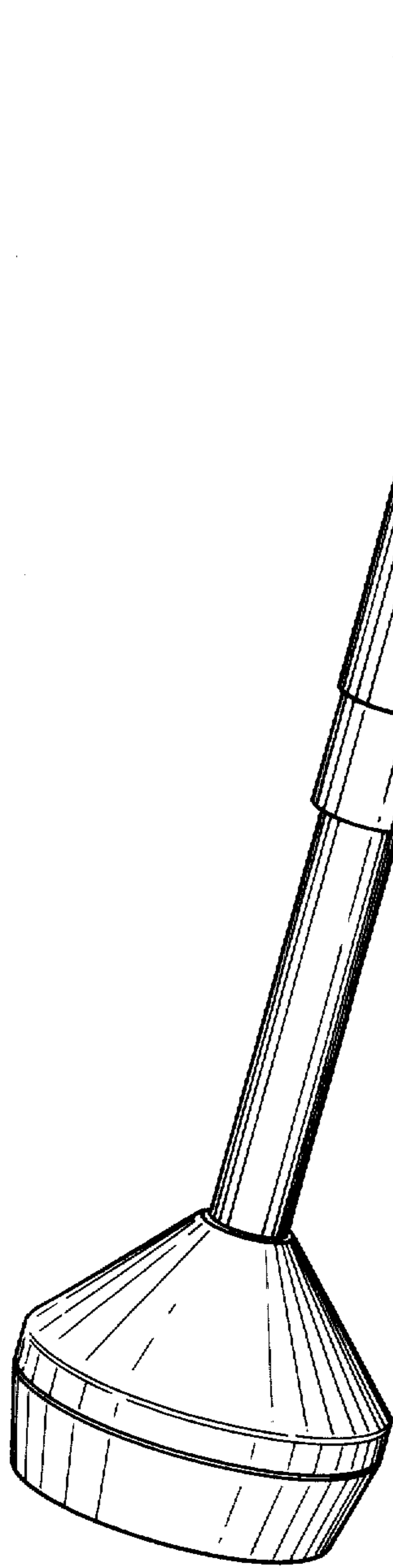


FIG. 1

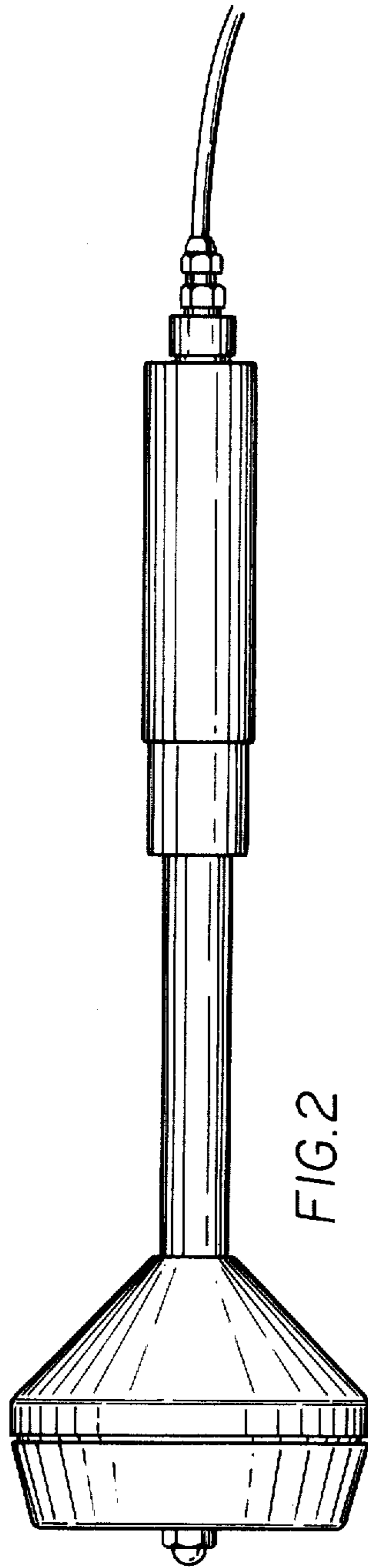


FIG. 2

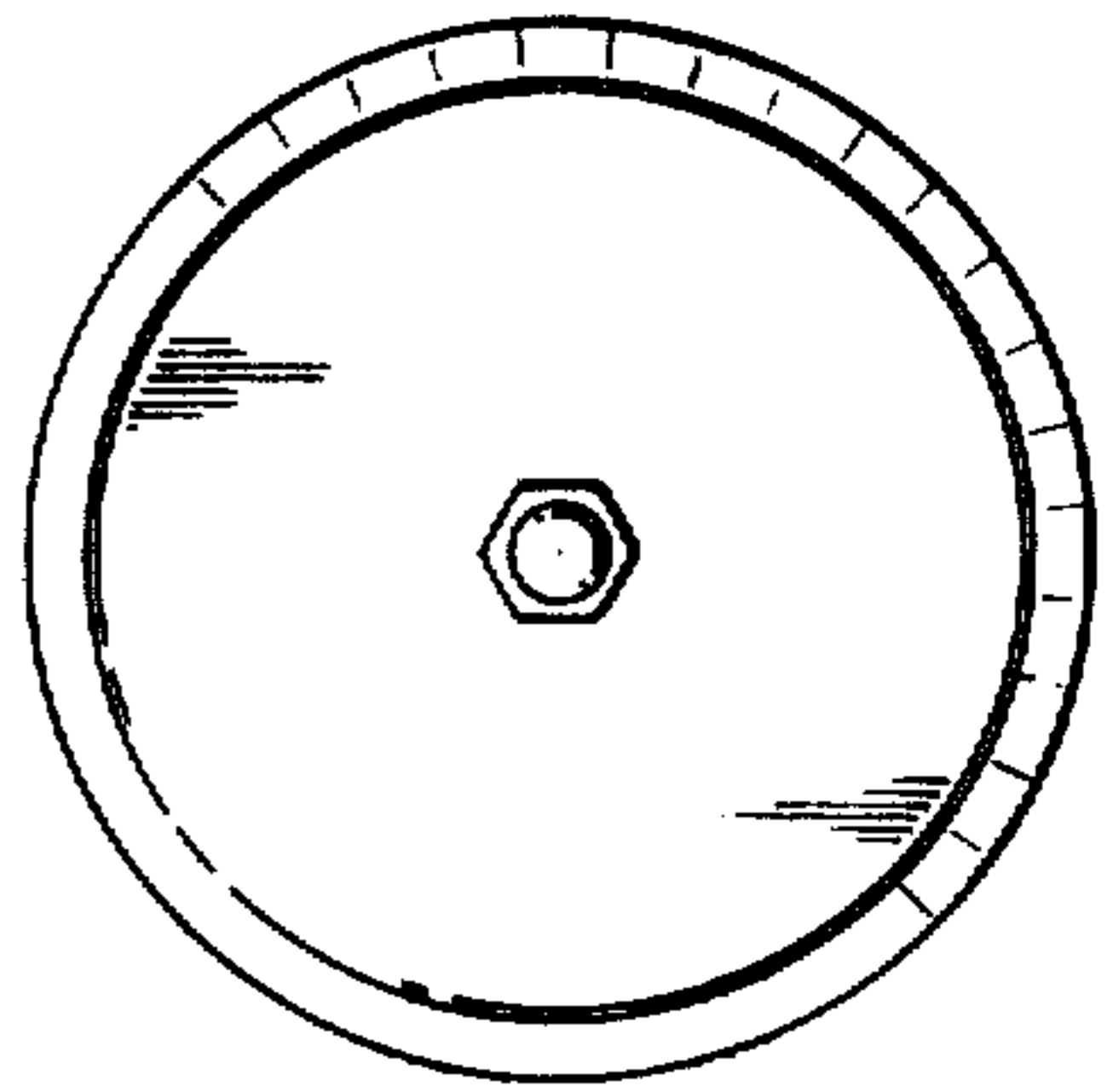


FIG. 3

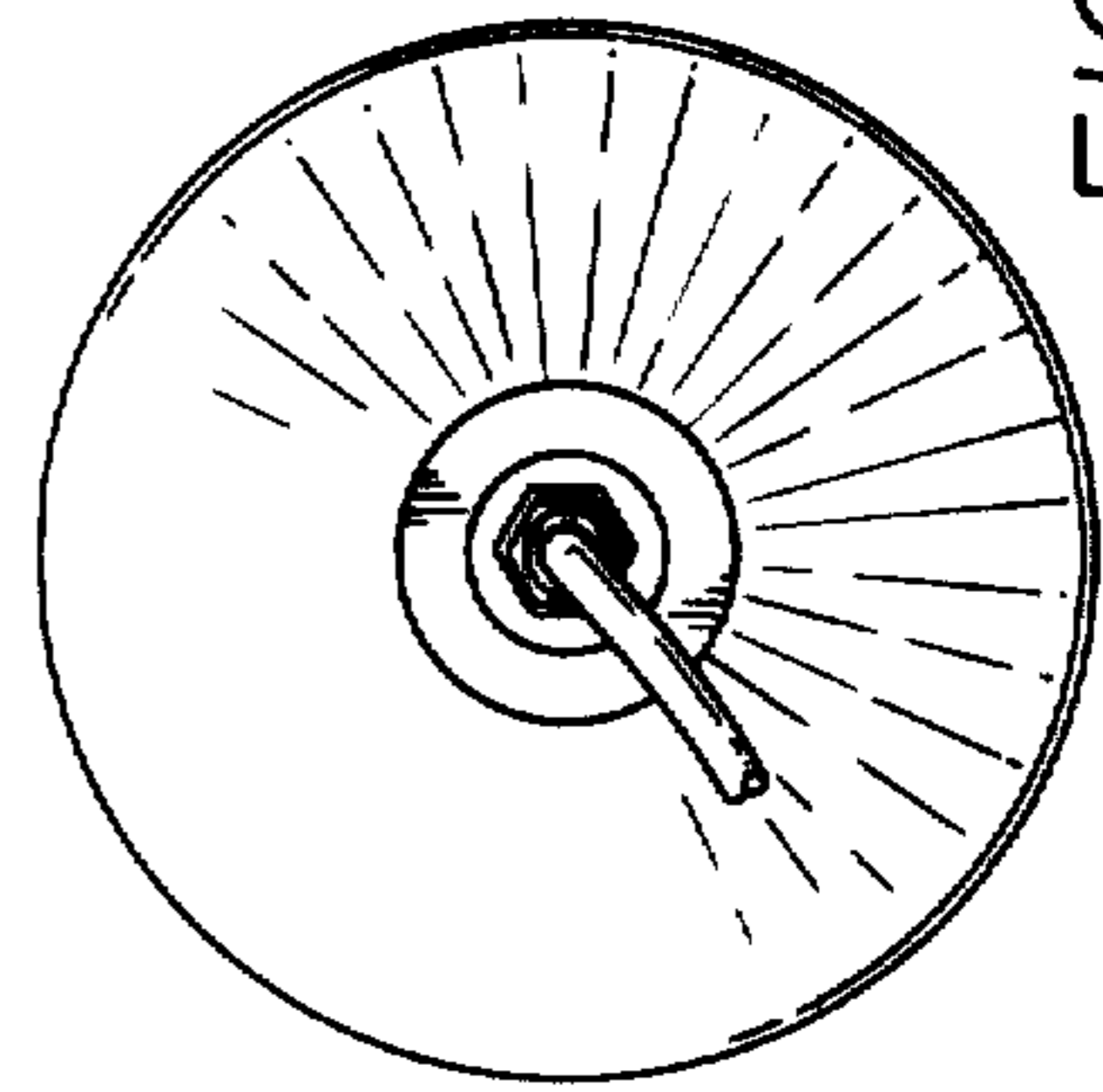


FIG. 4