

[54] COMBINED EGG CARTON AND ICE TRAY

[76] Inventor: Thomas J. Oakley, 510 Lakeshore Dr. #1, Lake Park, Fla. 33403

[**] Term: 14 Years

[21] Appl. No.: 73,614

[22] Filed: Sep. 10, 1979

[51] Int. Cl. D9-03

[52] U.S. Cl. D9/345; D9/424; D9/456

[58] Field of Search 229/44 EC, 45 EC, 2.5; D9/341, 424, 345, 425, 423, 426, 456; D15/90

[56] References Cited

U.S. PATENT DOCUMENTS

D. 148,824	2/1948	Shepard	D9/341
D. 208,275	8/1967	Pearl et al.	D9/341
3,552,635	1/1971	Martens et al.	229/44 EC
3,563,450	2/1971	Dahlberg	229/44 EC
3,572,578	3/1971	Rohdin	D9/345 X
3,664,574	5/1972	Pearl et al.	229/44 EC

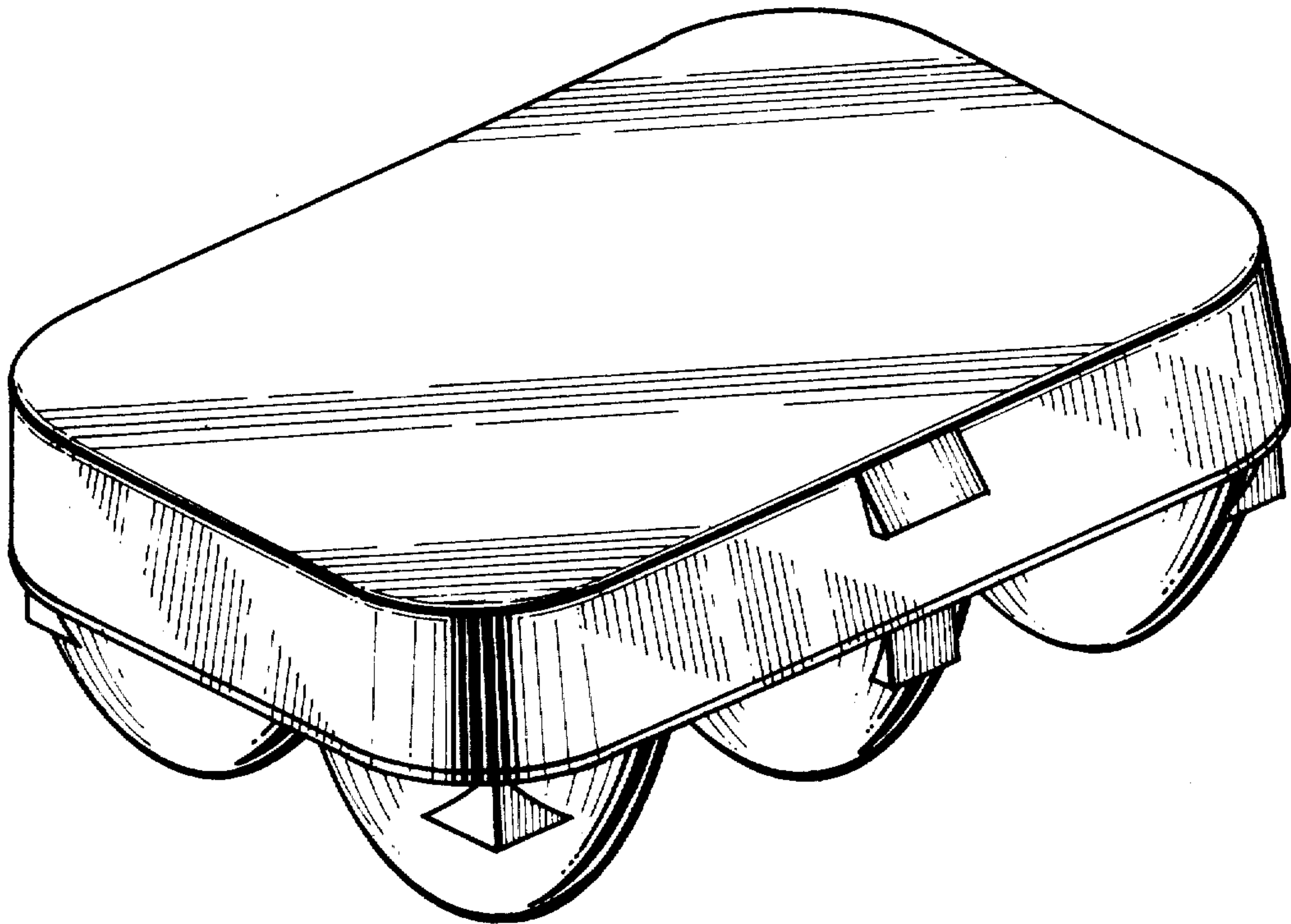
Primary Examiner—Robert C. Spangler
Attorney, Agent, or Firm—Stevens, Davis, Miller & Mosher

[57] CLAIM

The ornamental design for a combined egg carton and ice tray, as shown and described.

DESCRIPTION

FIG. 1 is a perspective view of a combined egg carton and ice tray showing my new design;
FIG. 2 is a side elevational view, the opposite side being identical in appearance;
FIG. 3 is an end elevational view, the opposite end being the same in appearance;
FIG. 4 is a top plan view;
FIG. 5 is a bottom plan view;
FIG. 6 is a top plan view with the top removed;
FIG. 7 is a perspective view showing a modified form of my new design wherein the only difference over the first embodiment is in the provision of latching elements on the ends;
FIG. 8 is a perspective view of the embodiment of FIGS. 1-6 with the top removed;
FIG. 9 is a perspective view showing another modified form of my new design wherein the only differences over the first embodiment is in the provision of two latching elements on both the long sides, the use of twelve rather than six egg receiving compartments and in that four of the egg receiving compartments are not provided with external projections; and
FIG. 10 is a top plan view of the form of FIG. 9 with the top removed.



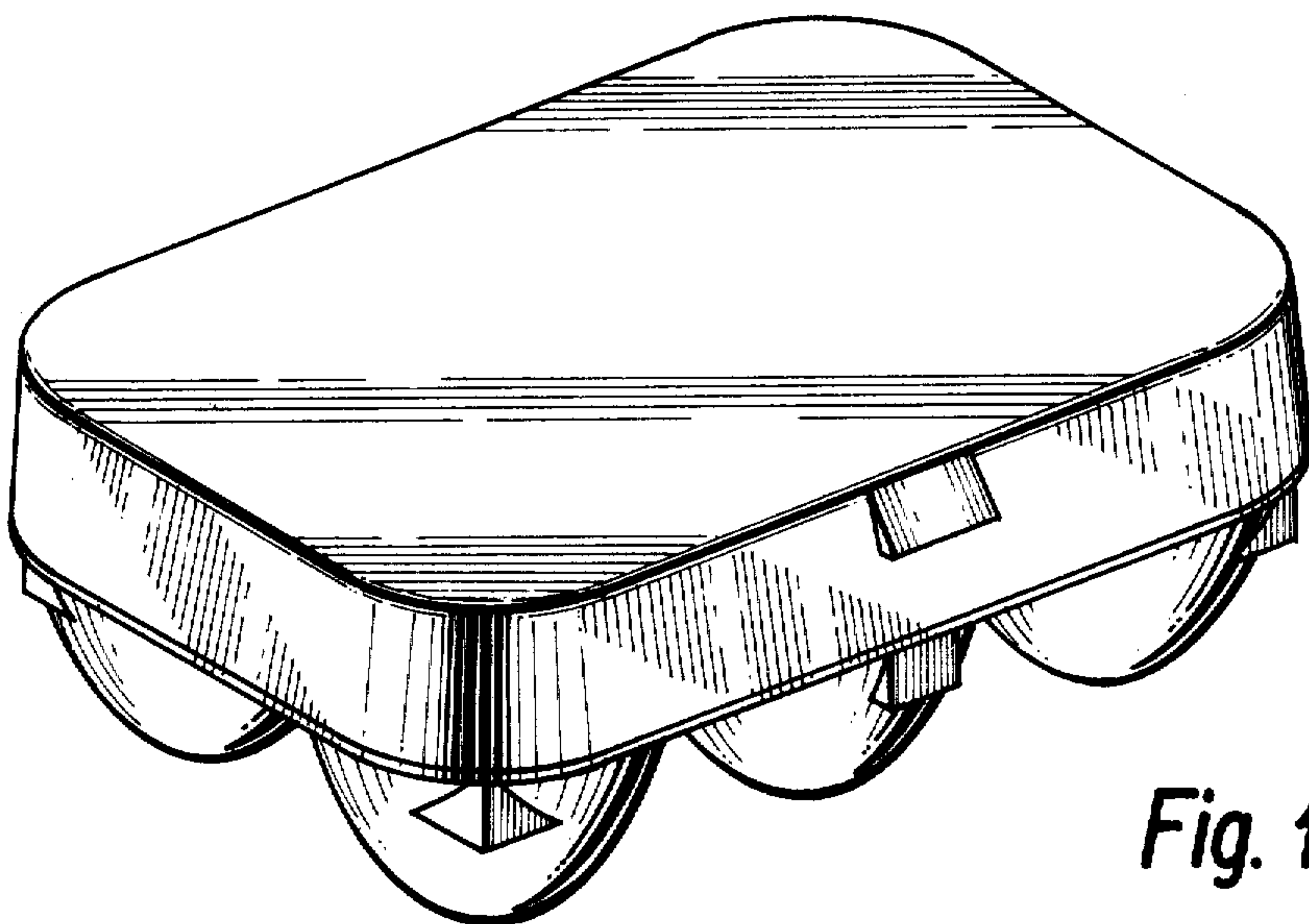


Fig. 1

Fig. 2

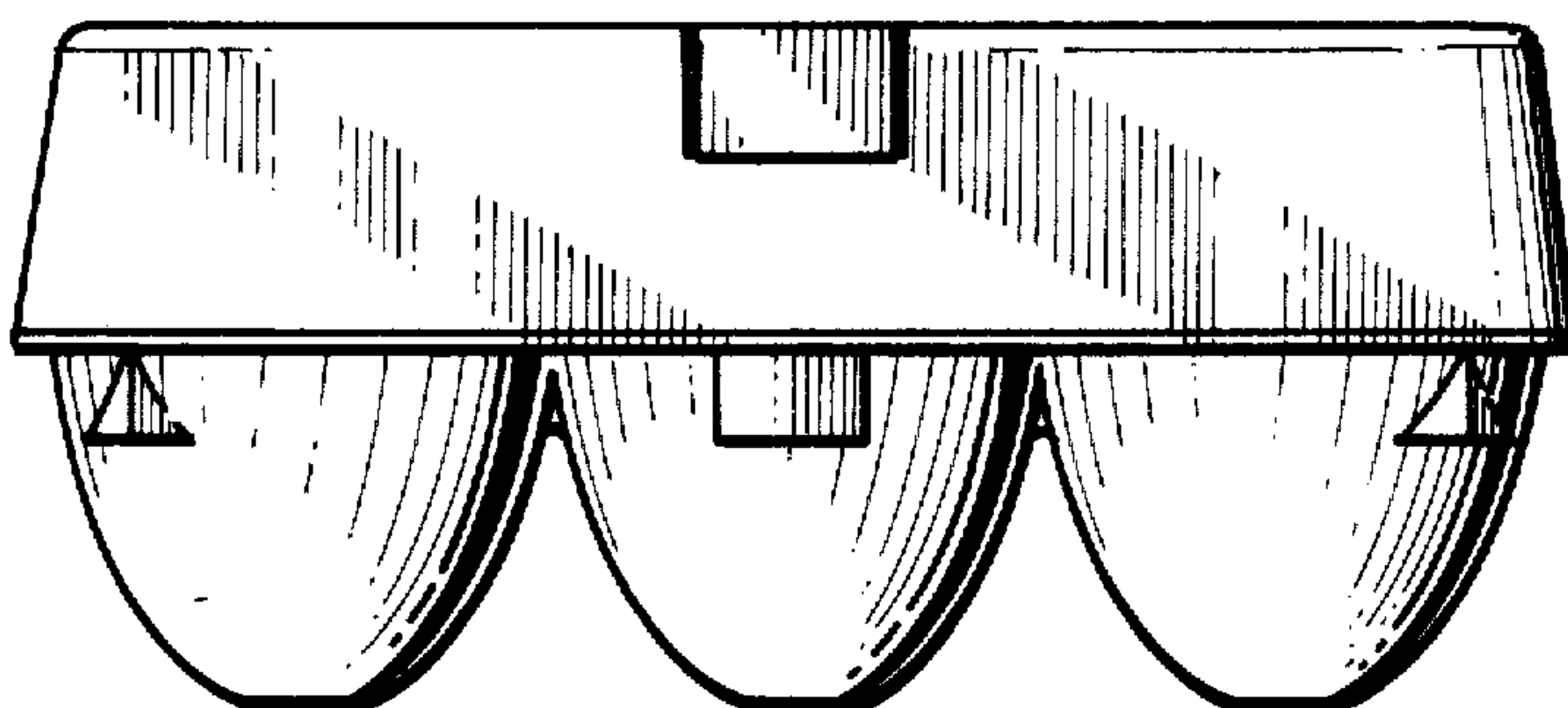


Fig. 3

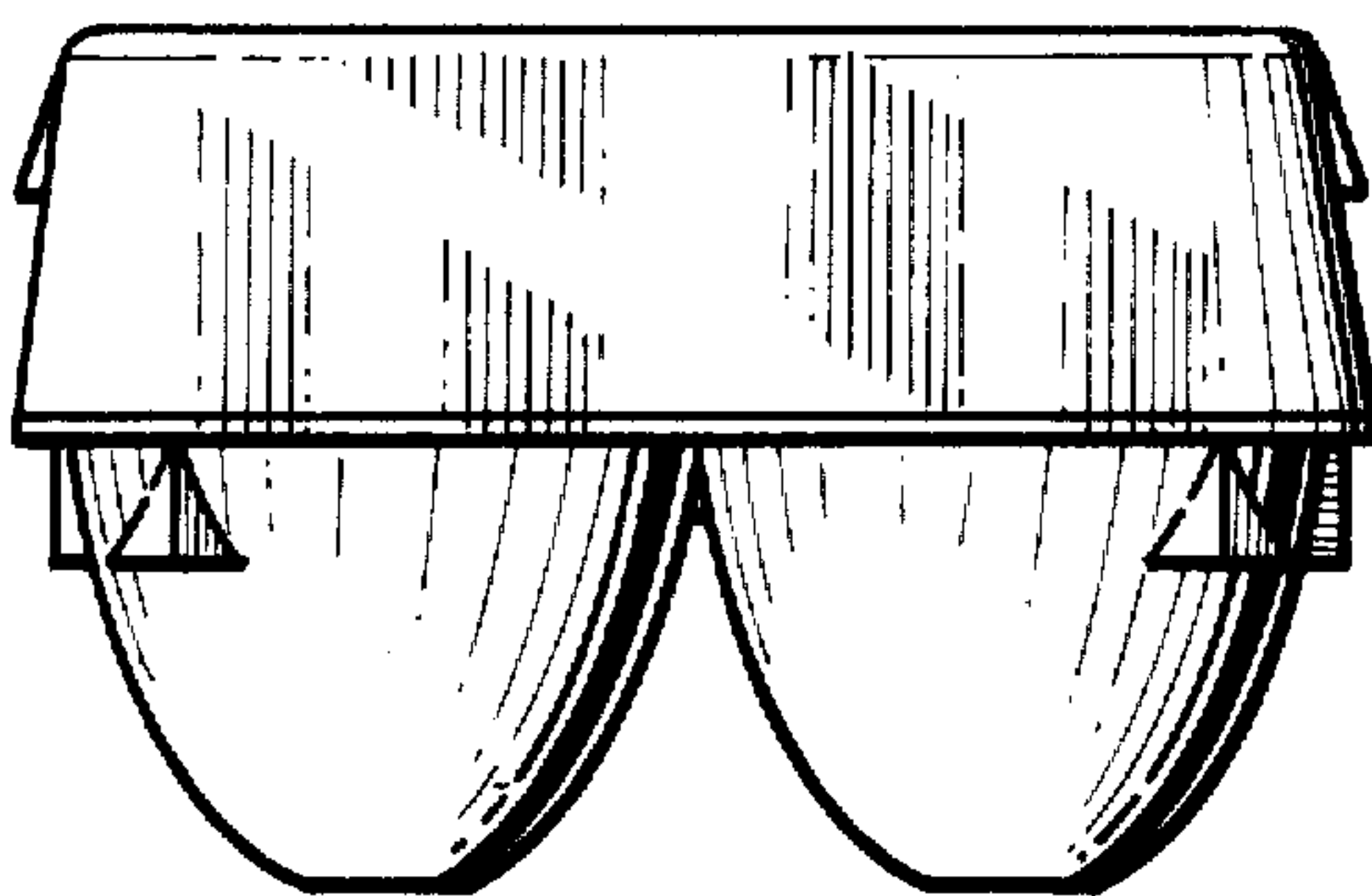


Fig. 4

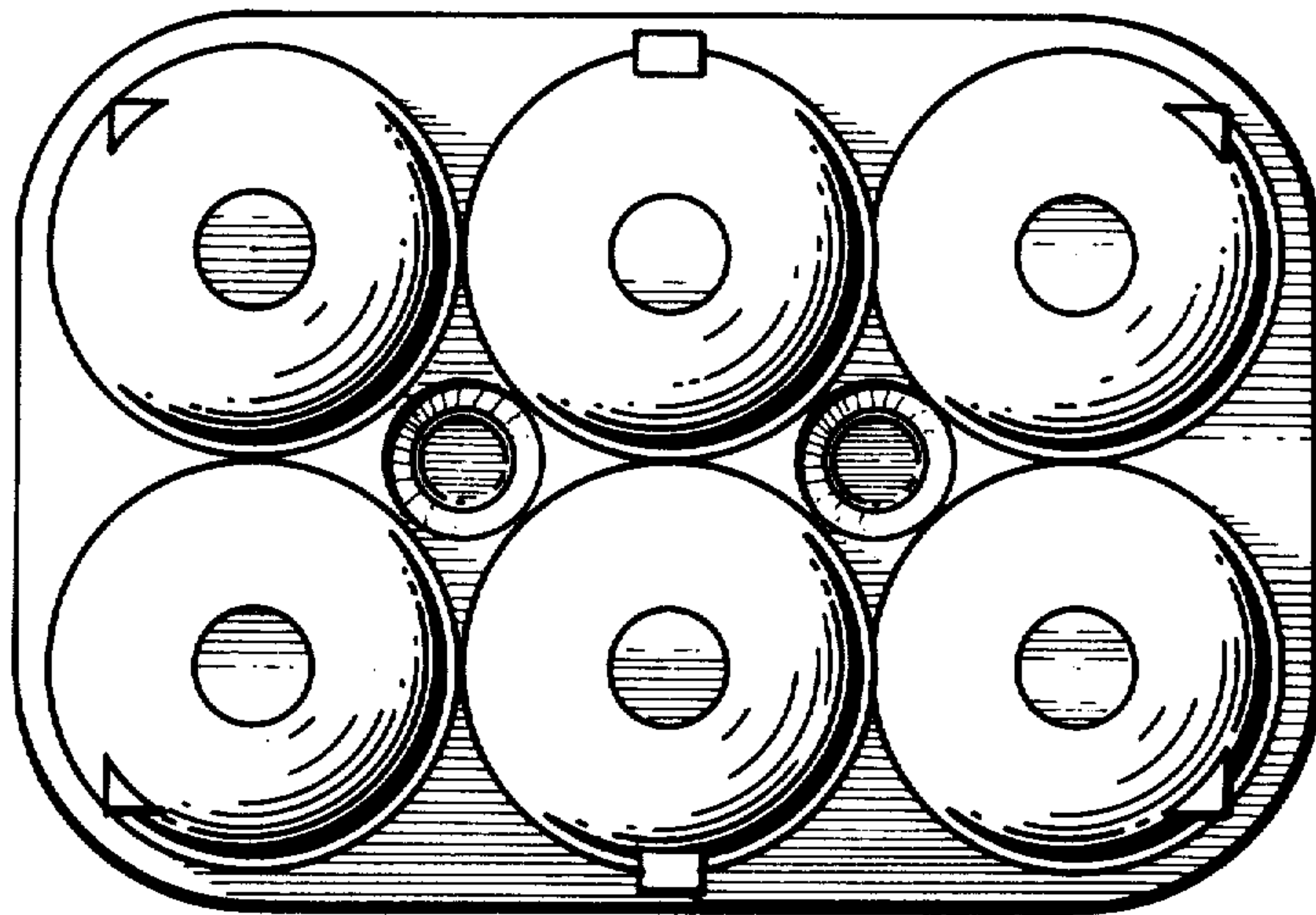
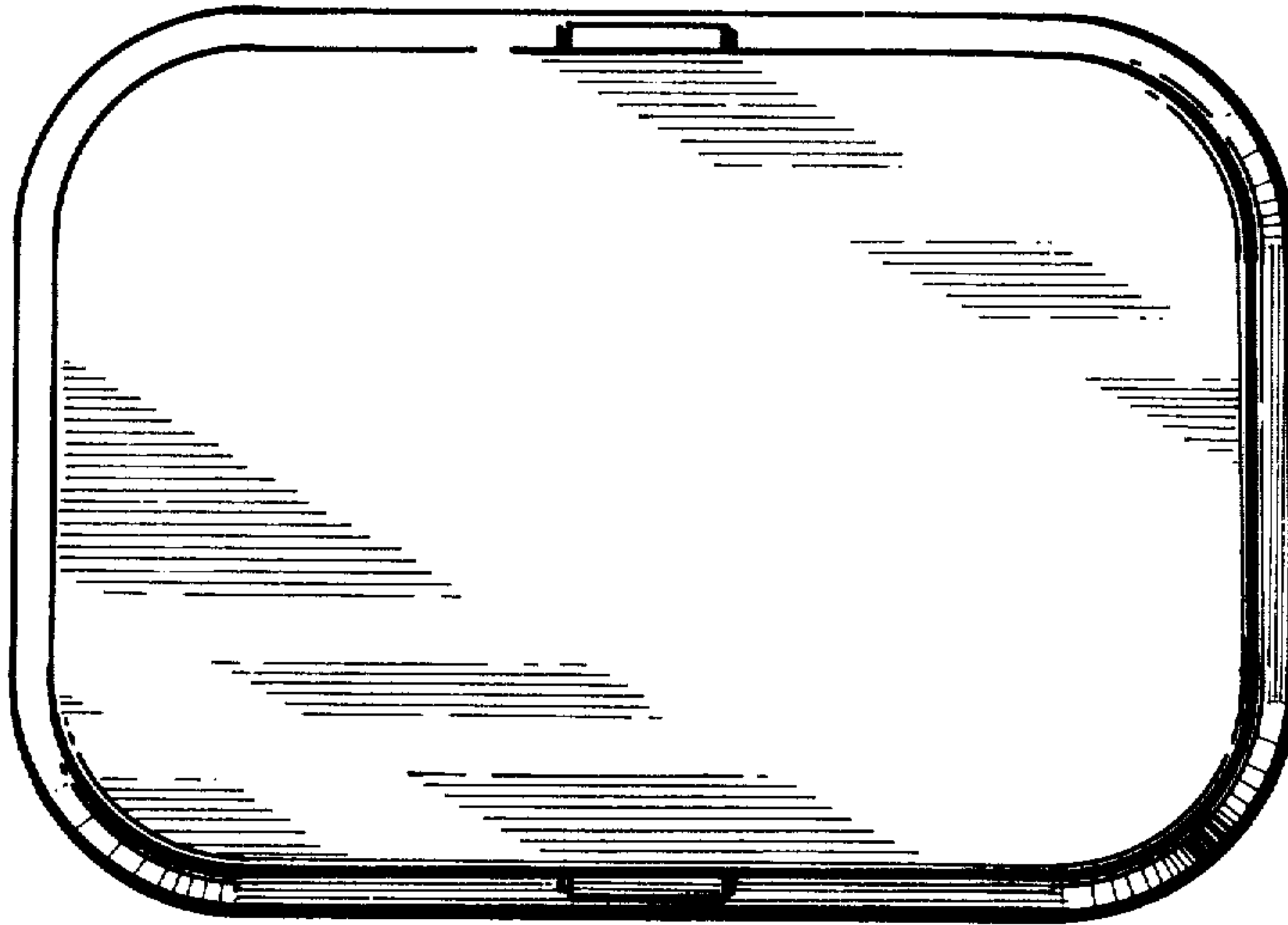
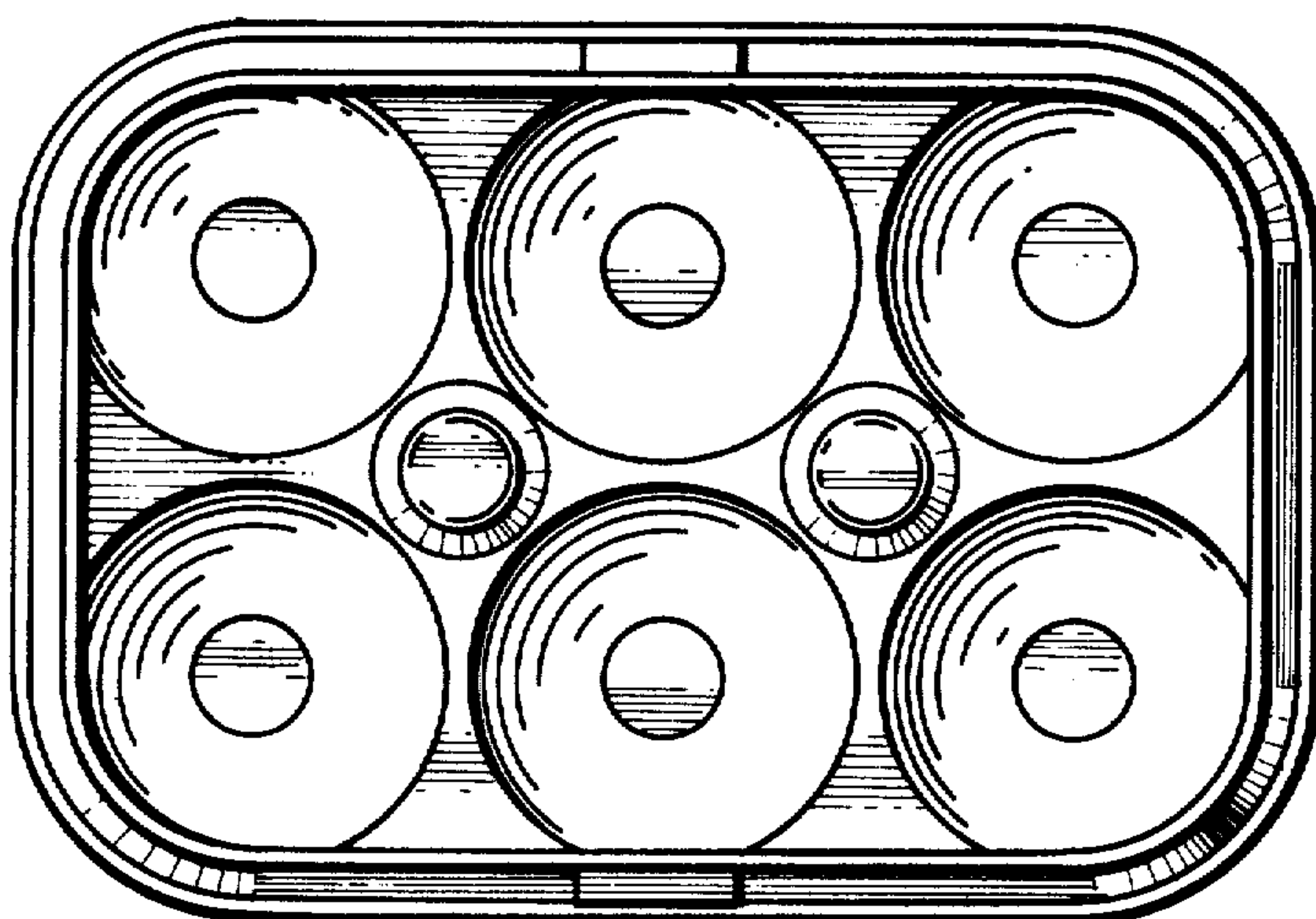


Fig. 5

Fig. 6



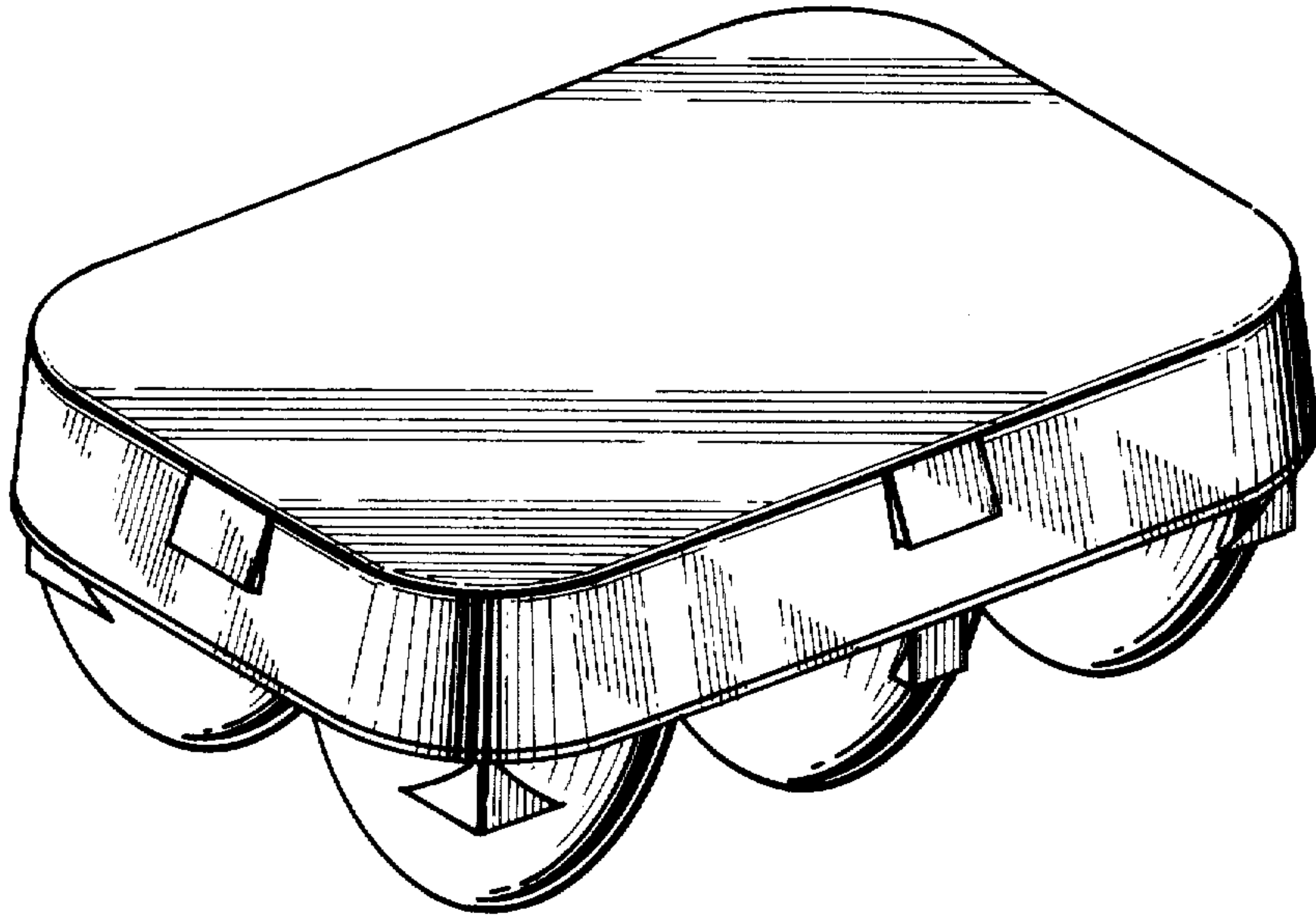


Fig. 7

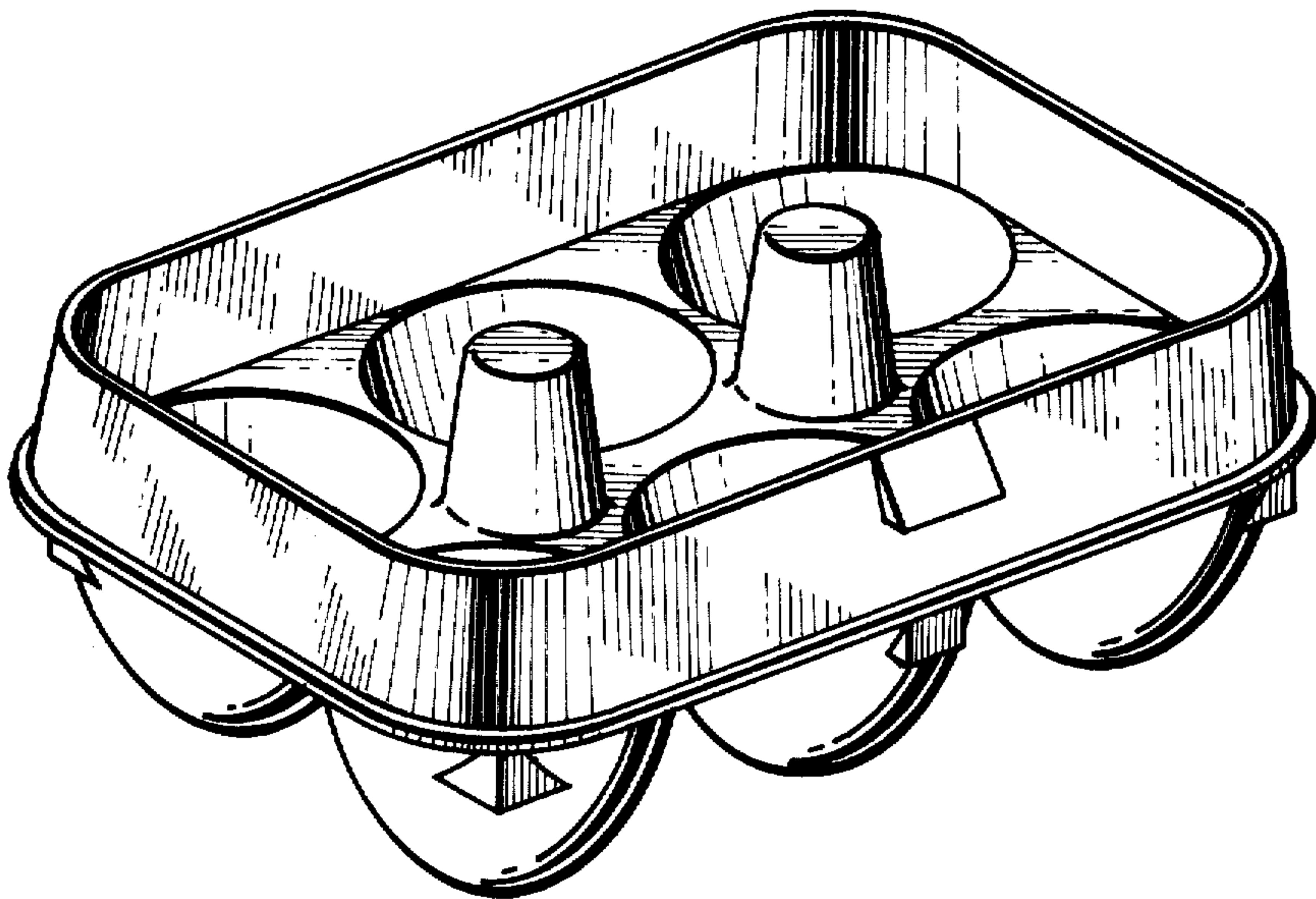


Fig. 8

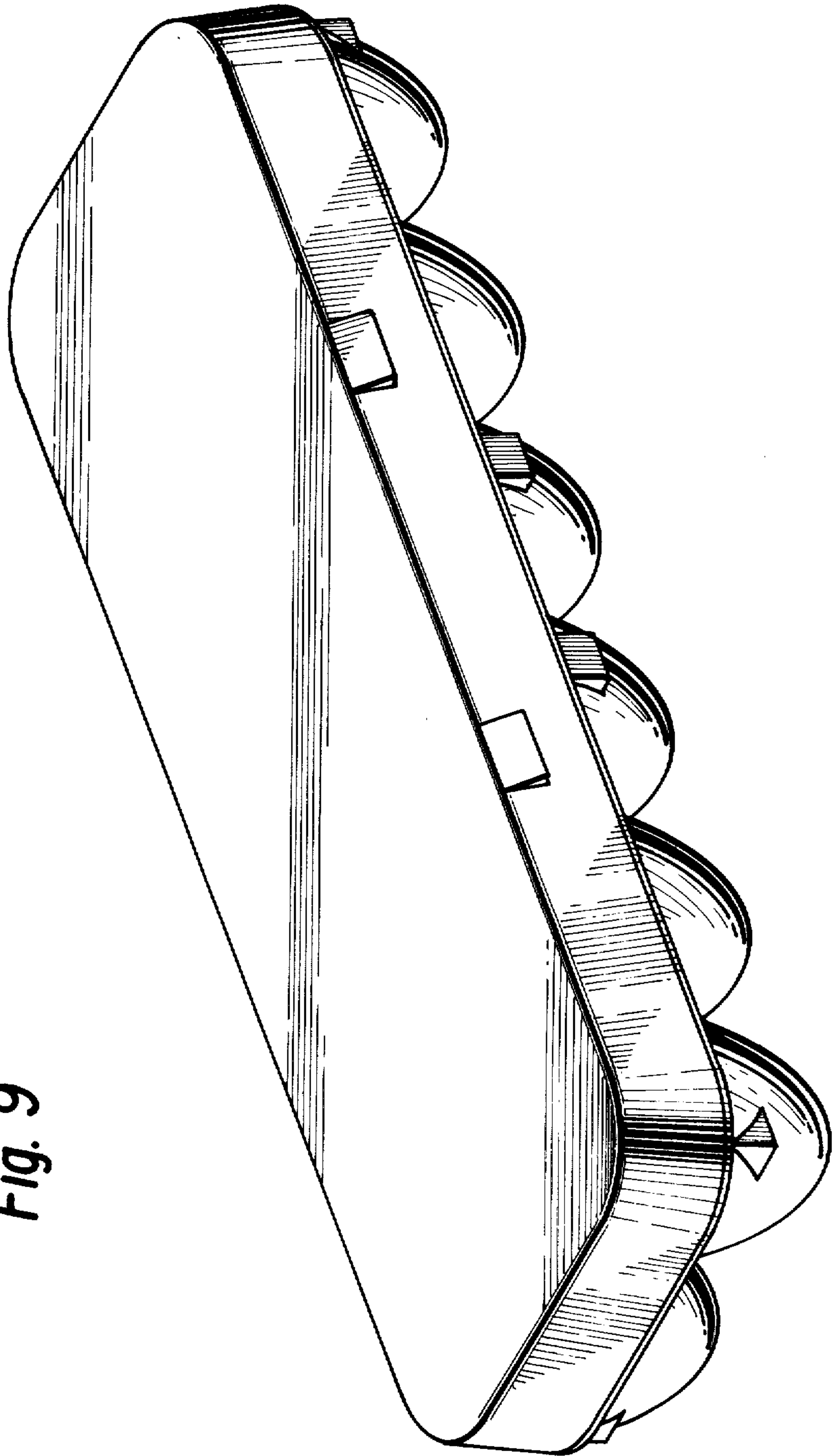


Fig. 9

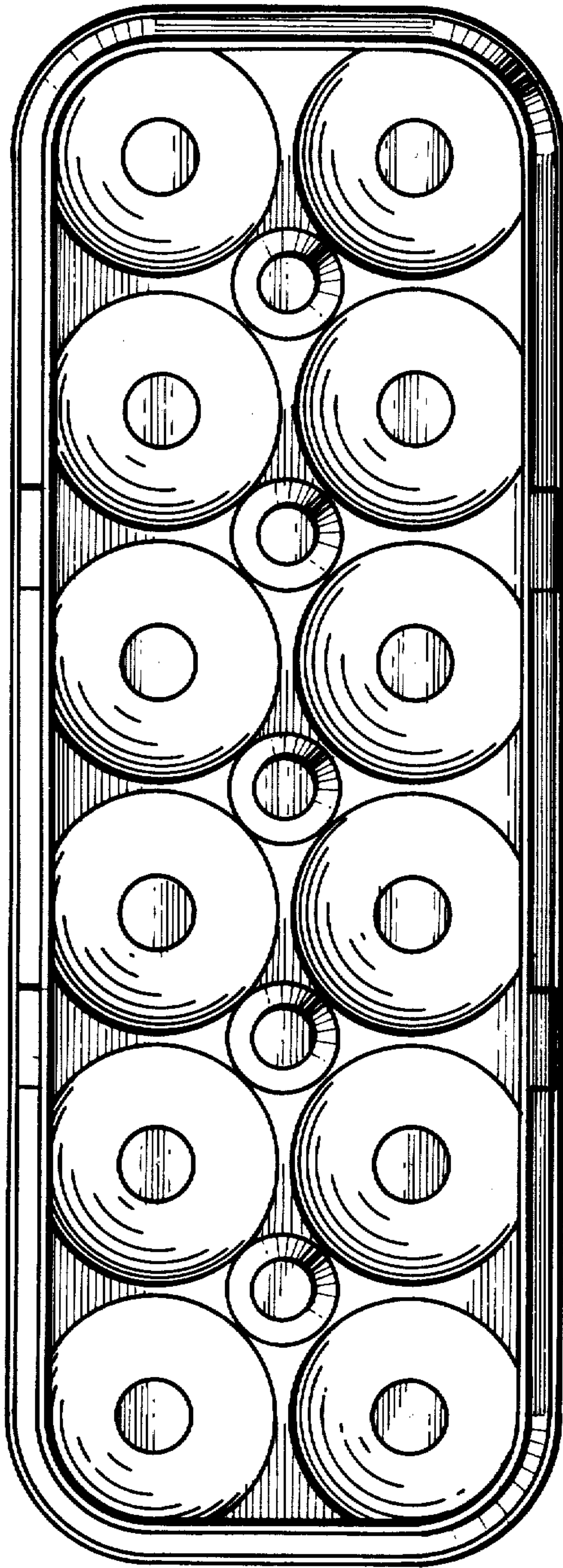


Fig. 10