

[54] VERTICAL GRILL

[75] Inventor: Edward D. Levy, Franklin Lakes, N.J.

[73] Assignee: General Housewares Corp., Stamford, Conn.

[**] Term: 14 Years

[21] Appl. No.: 57,460

[22] Filed: Jul. 13, 1979

[51] Int. Cl. D7-02

[52] U.S. Cl. D7/110

[58] Field of Search D7/107-110, D7/93; 99/385, 393, 399, 400, 402, 446; 219/521-523, 532

[56]

References Cited

U.S. PATENT DOCUMENTS

D. 242,978 1/1977 Caudron D7/110

Primary Examiner—Catherine E. Kemper
Attorney, Agent, or Firm—Myron Greenspan

[57]

CLAIM

The ornamental design for a vertical grill, substantially as shown.

DESCRIPTION

FIG. 1 is a perspective view of a vertical grill, showing my new design;
FIG. 2 is a top plan view thereof;
FIG. 3 is a front elevational view thereof;
FIG. 4 is a left side elevational view thereof;
FIG. 5 is a right side elevational view thereof;
FIG. 6 is a rear elevational view thereof; and
FIG. 7 is a bottom plan view thereof.

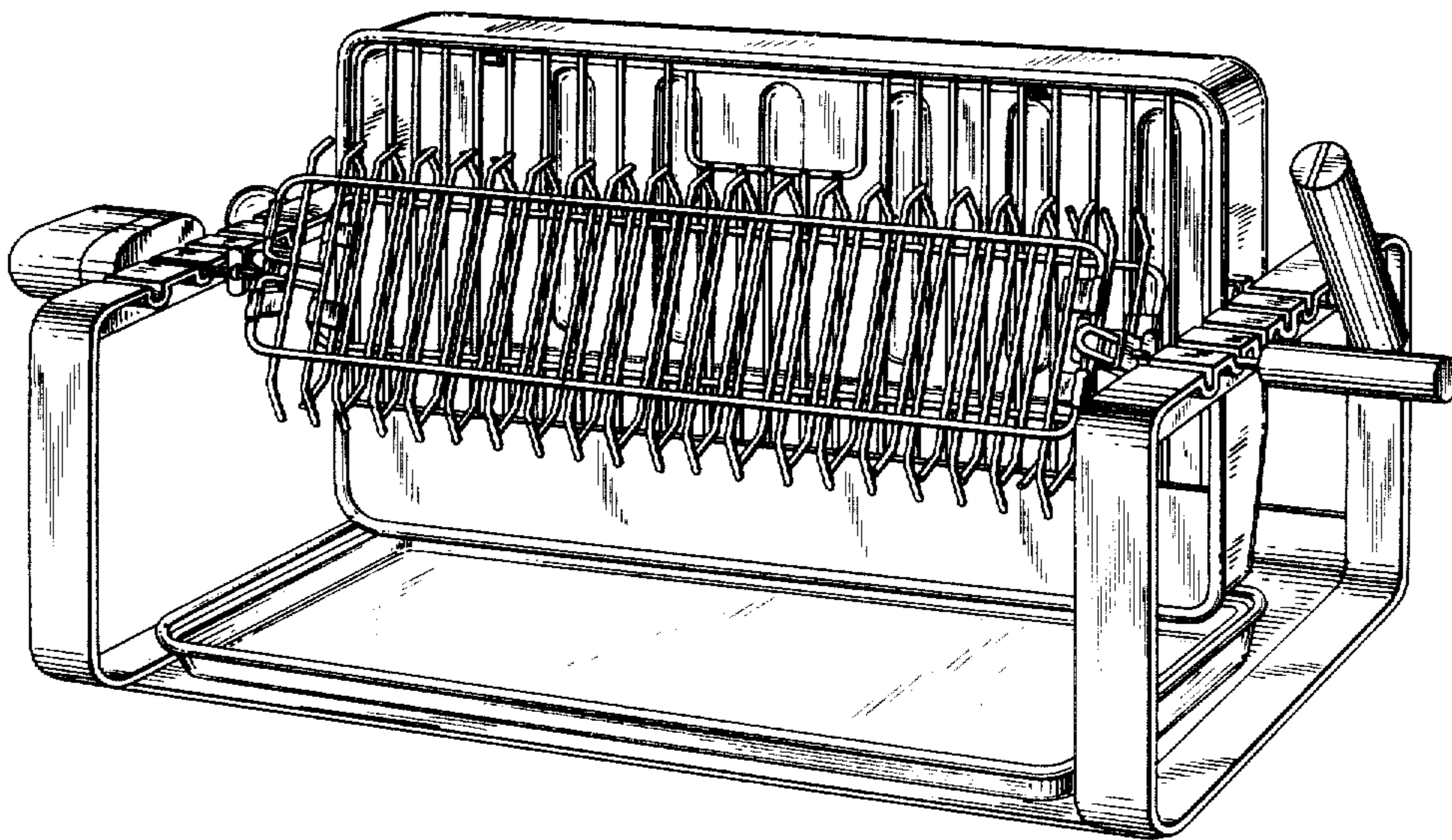


FIG. 1

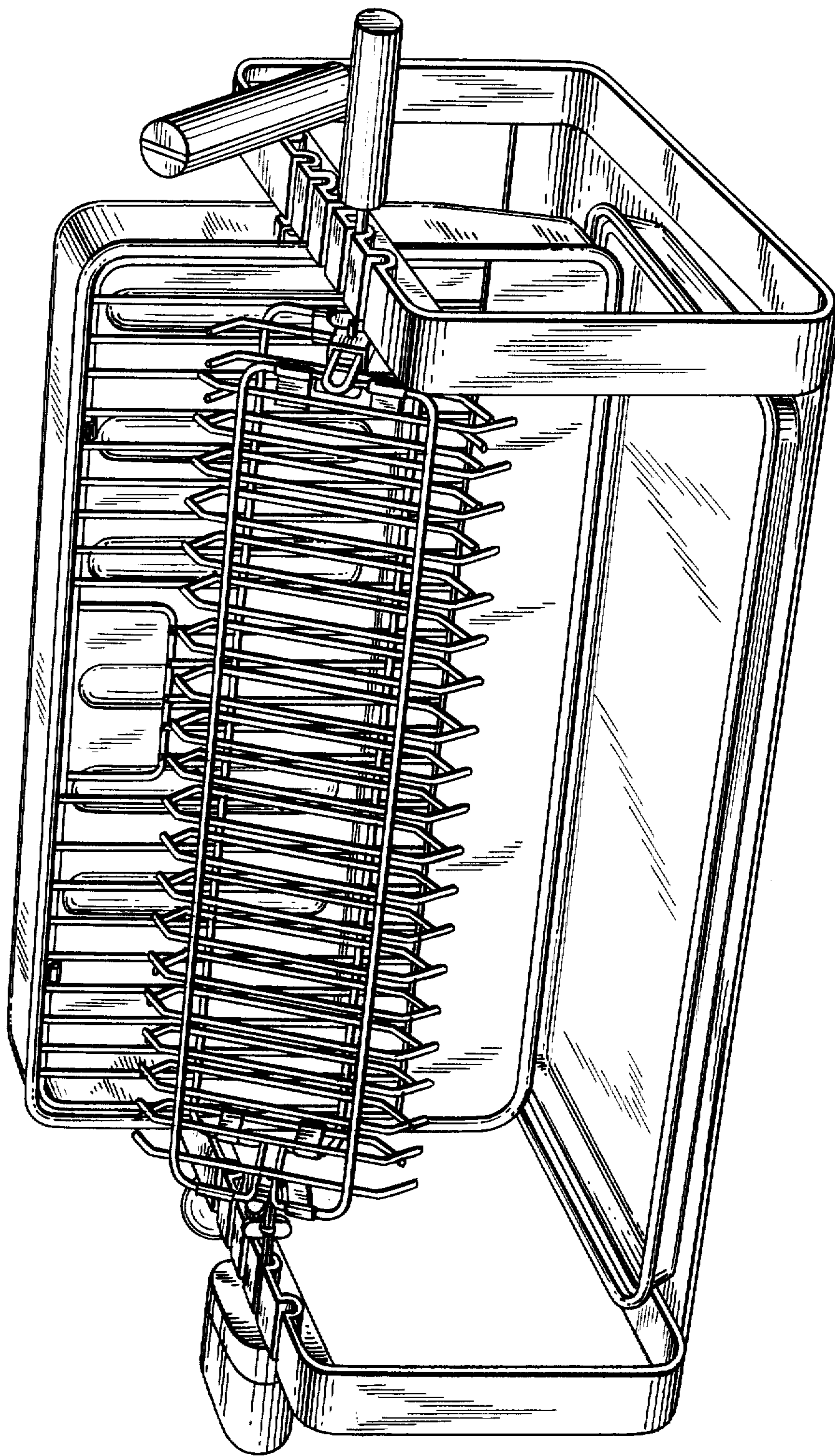


FIG. 2

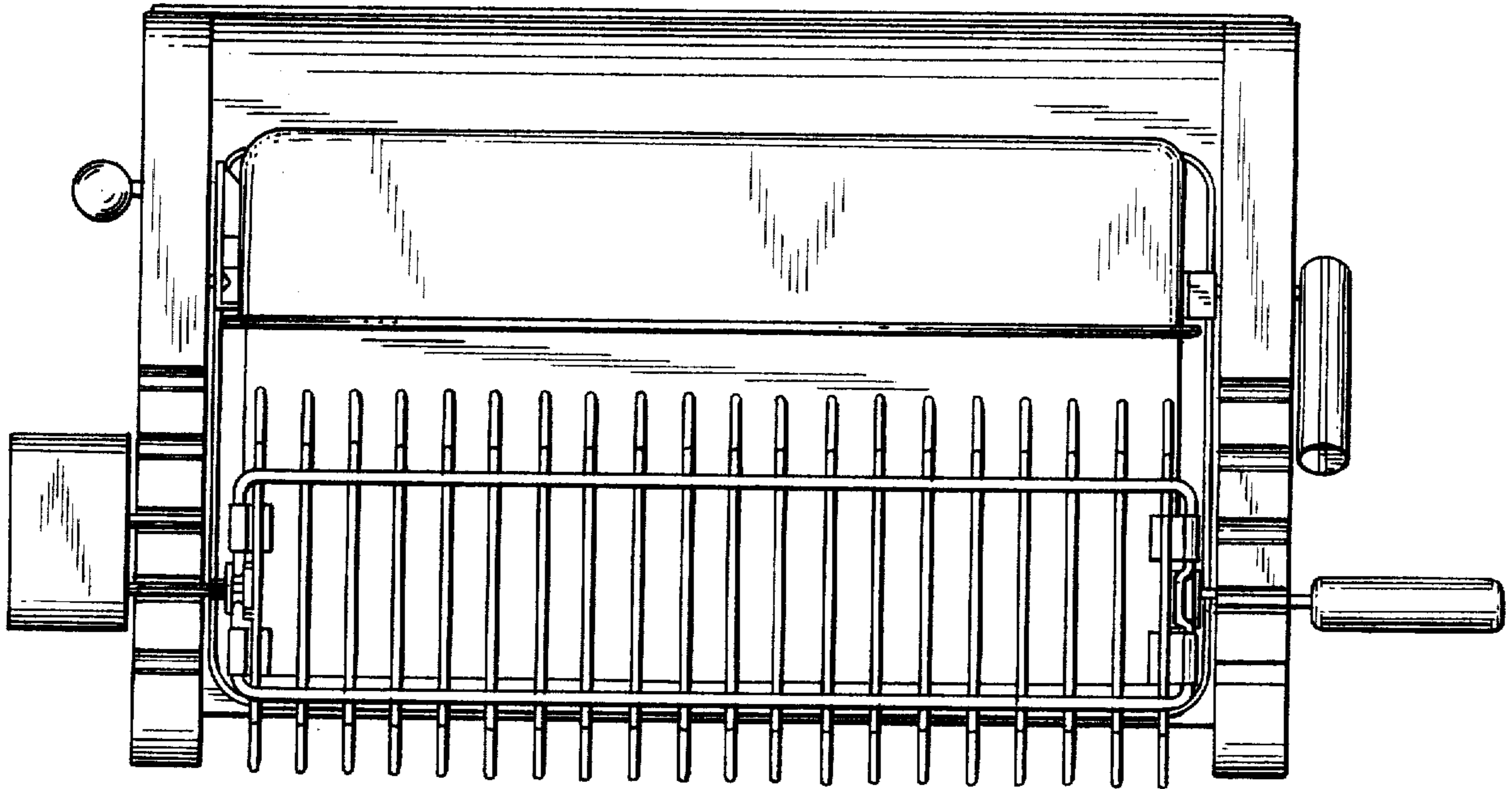


FIG. 3

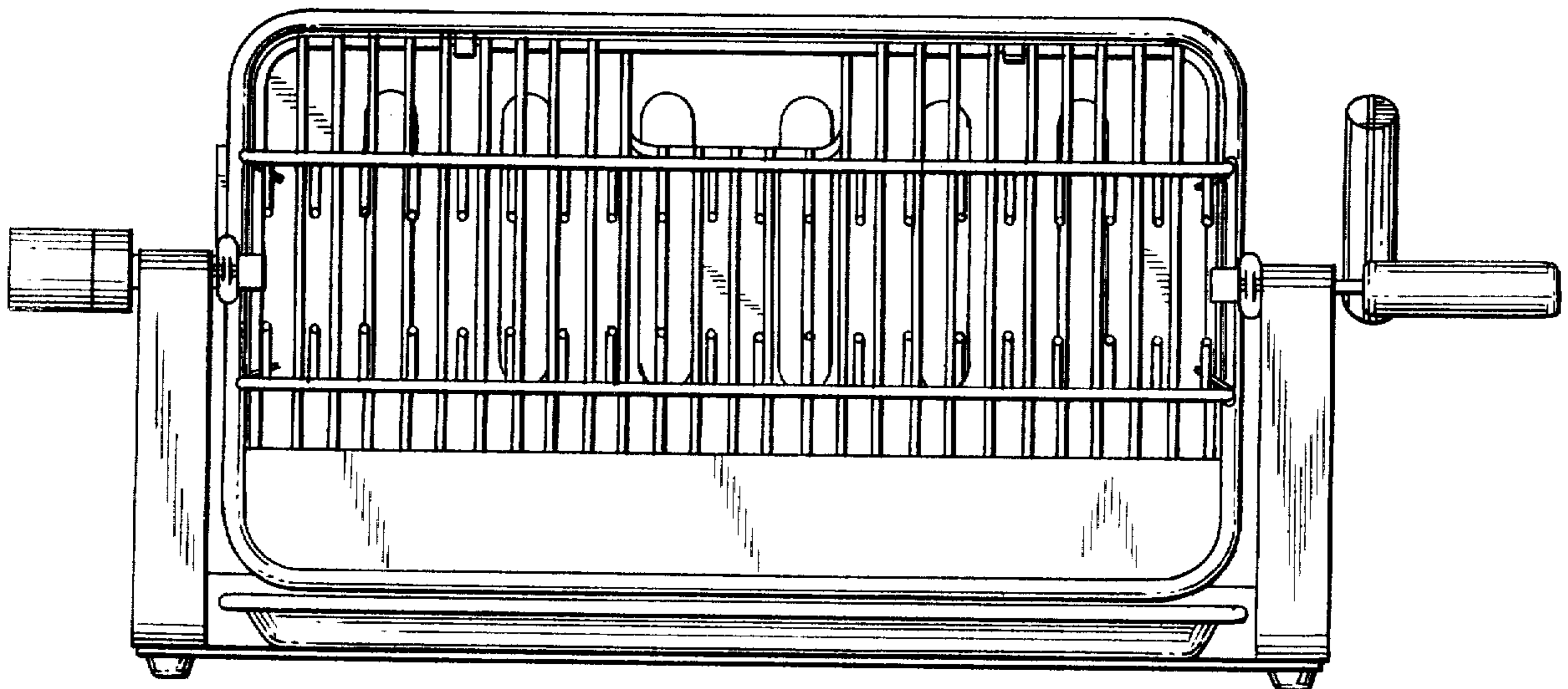


FIG. 4

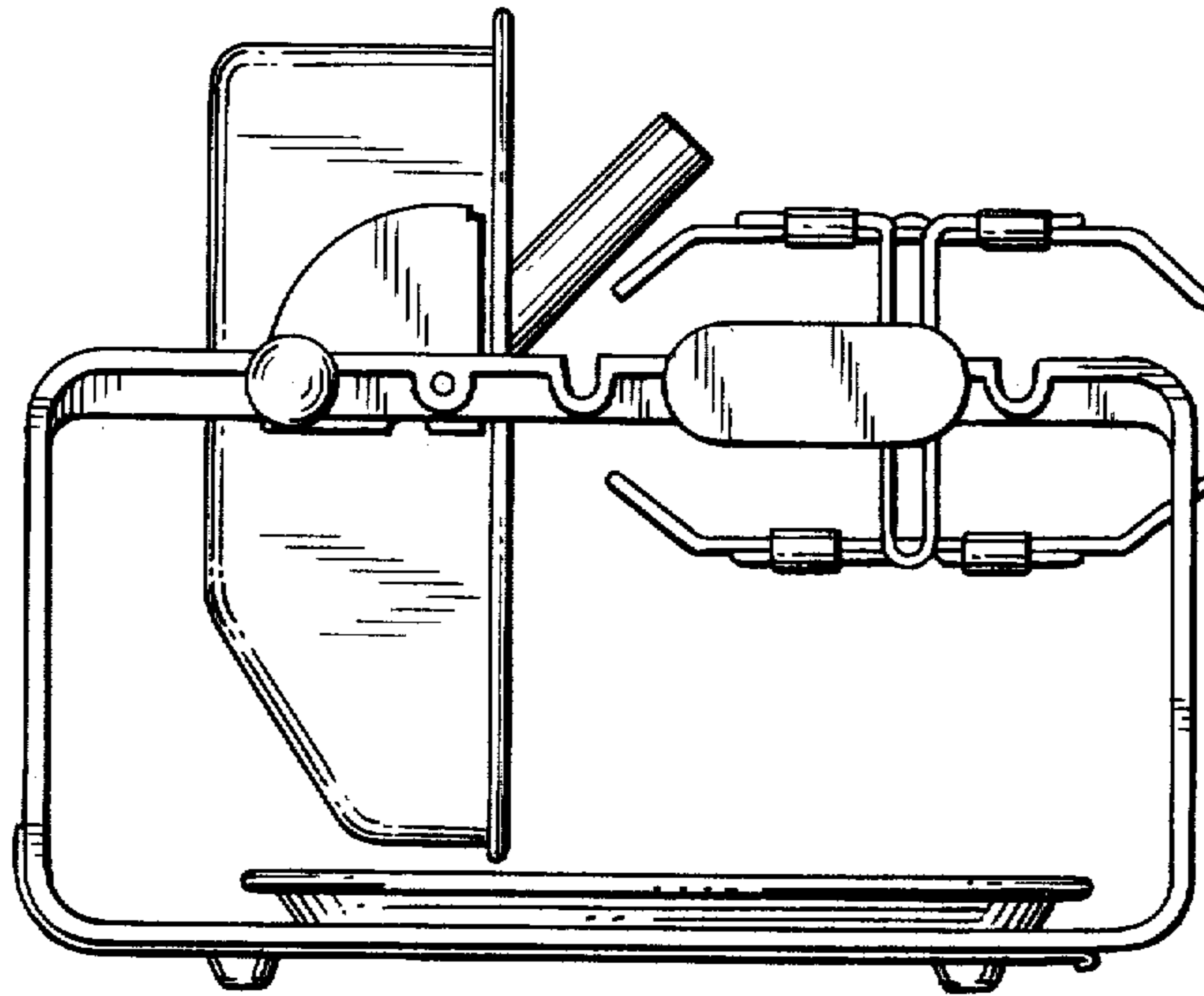


FIG. 5

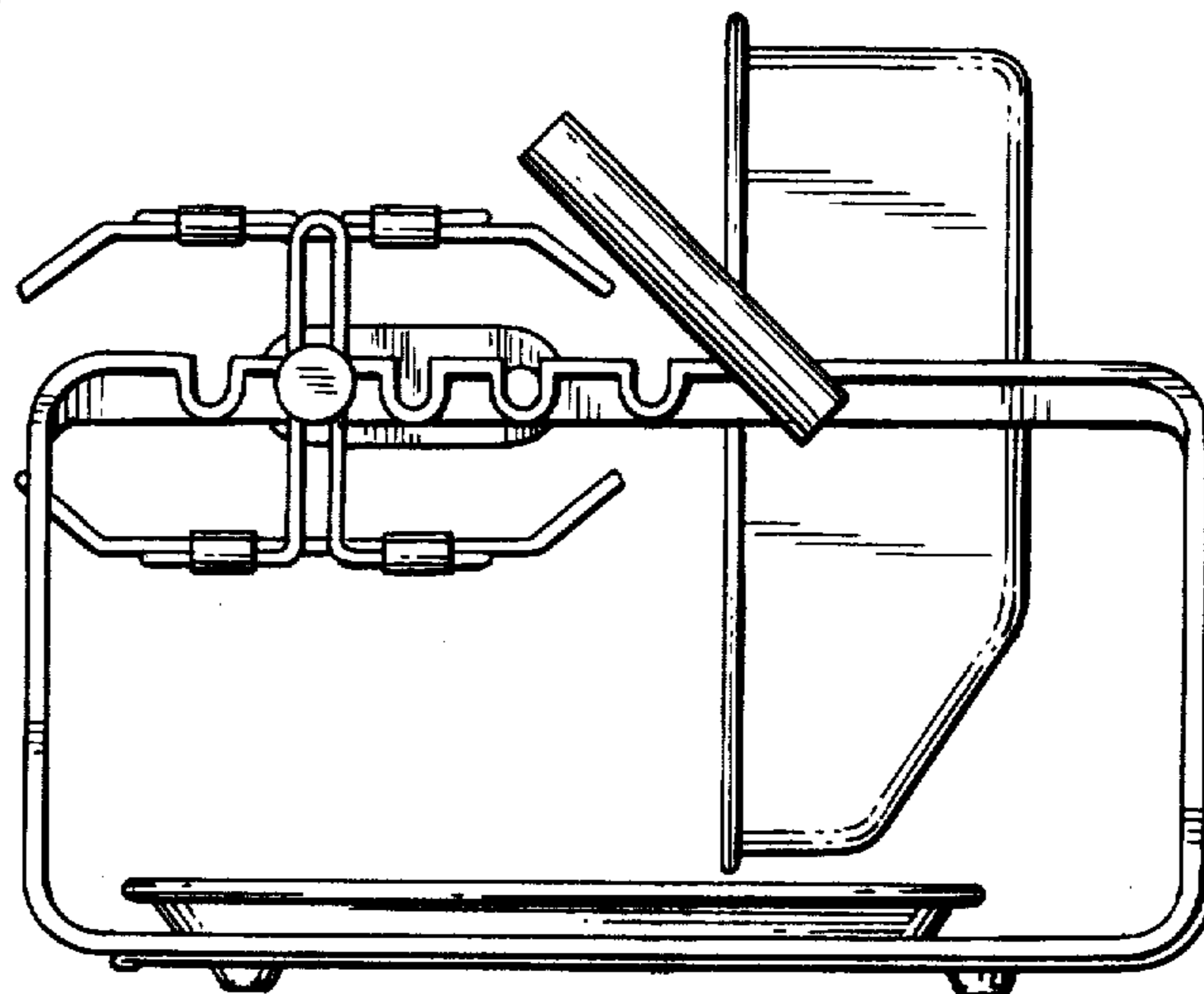


FIG. 6

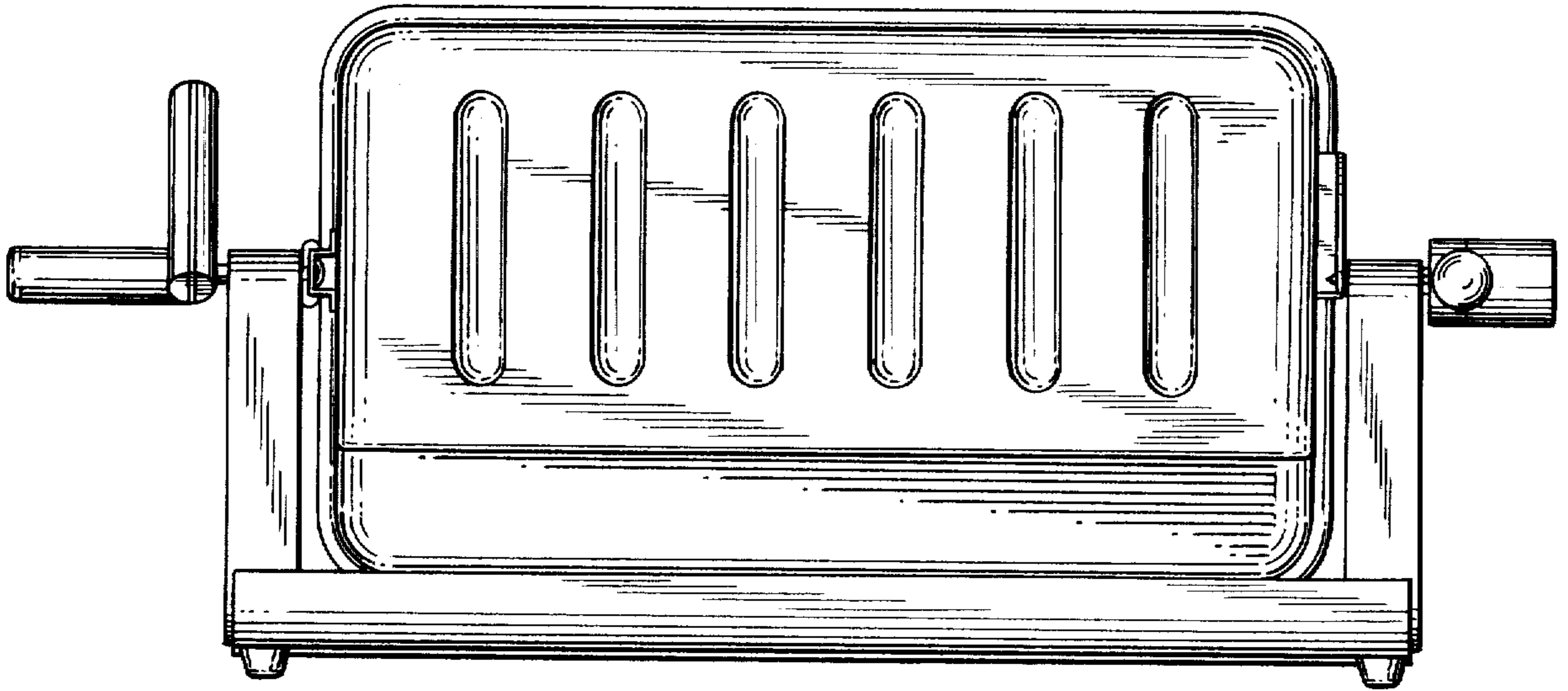


FIG. 7

