

[54] BARBECUE SPIT

[76] Inventors: **Russell D. Bourne**, 605 Metcalfe Rd., Lynwood, Australia, 6155; **Mervyn S. MacGregor**, 7 Congdon St., Swanbourne, Australia, 6010

[\*\*] Term: **14 Years**

[21] Appl. No.: **965,179**

[22] Filed: **Nov. 30, 1978**

[51] Int. Cl. .... **D7-02**

[52] U.S. Cl. .... **D7/107**

[58] Field of Search ..... **D7/107, 108, 109, 110; 126/25 R, 25 A, 25 AA, 25 B, 25 C, 9 R, 9 A, 9 B, 29, 30; 99/419, 421**

[56] **References Cited**

**U.S. PATENT DOCUMENTS**

690,150 12/1901 Inman ..... 126/30  
3,359,888 12/1967 Deege et al. .... 99/421 HU

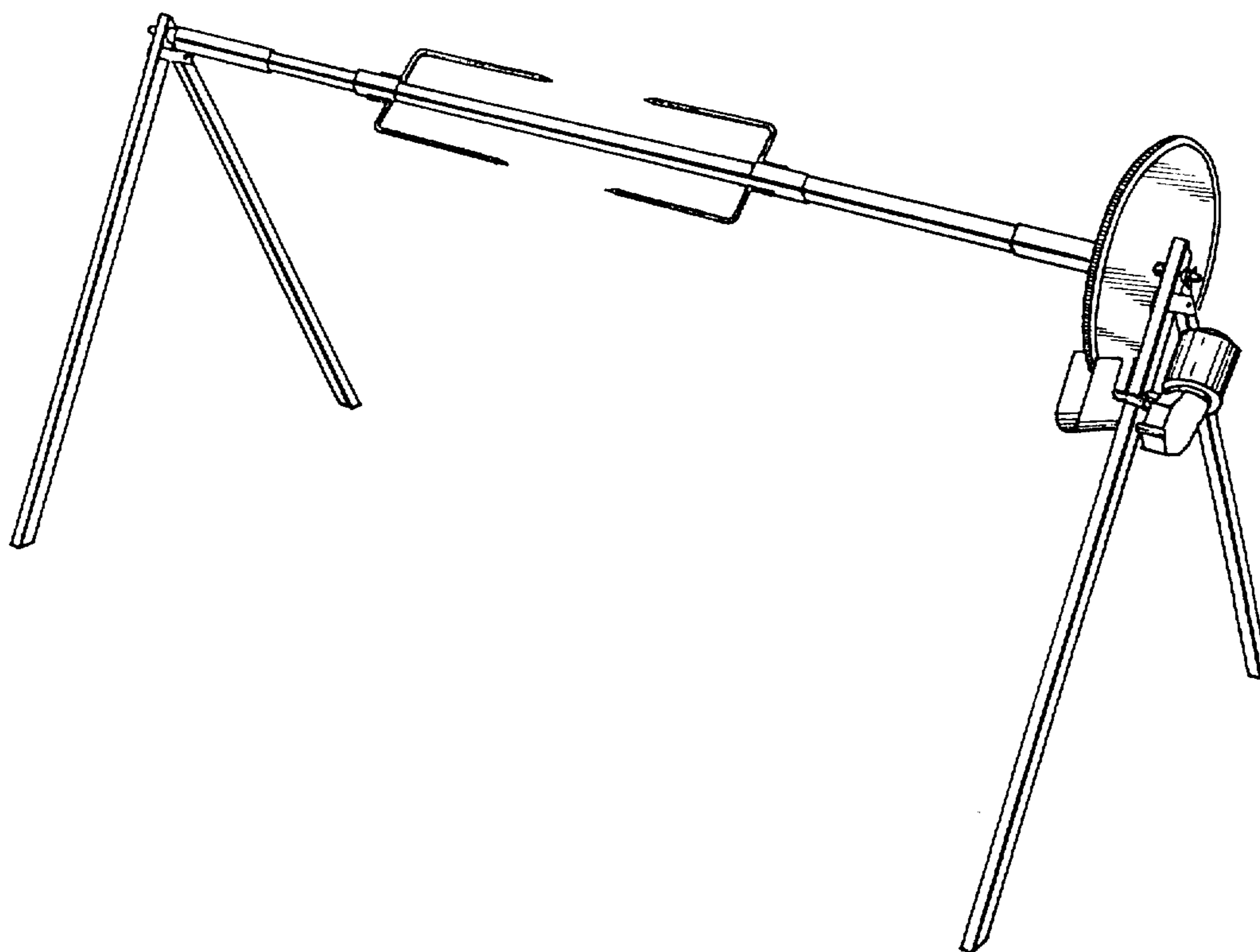
*Primary Examiner*—Catherine E. Kemper  
*Attorney, Agent, or Firm*—Harness, Dickey & Pierce

[57] **CLAIM**

The ornamental design for a barbecue spit, as shown and described.

**DESCRIPTION**

FIG. 1 is a front perspective view of a barbecue spit, showing our new design;  
FIG. 2 is a rear perspective view thereof;  
FIG. 3 is a left end elevational view thereof;  
FIG. 4 is a right end elevational view with the drive means omitted for ease of illustration;  
FIG. 5 is a side elevational view of the barbecue spit as it appears in FIG. 1.



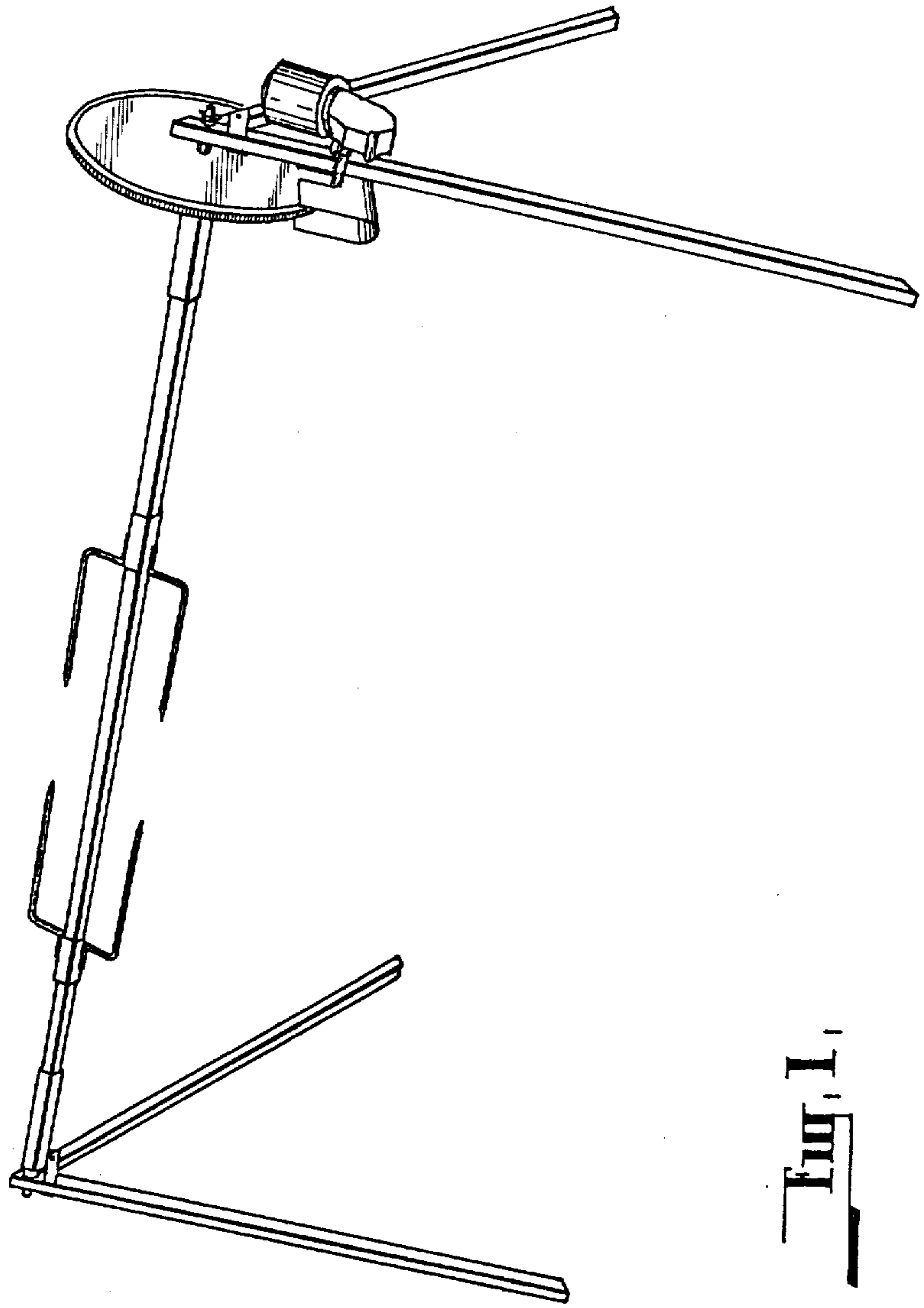


Fig. 1

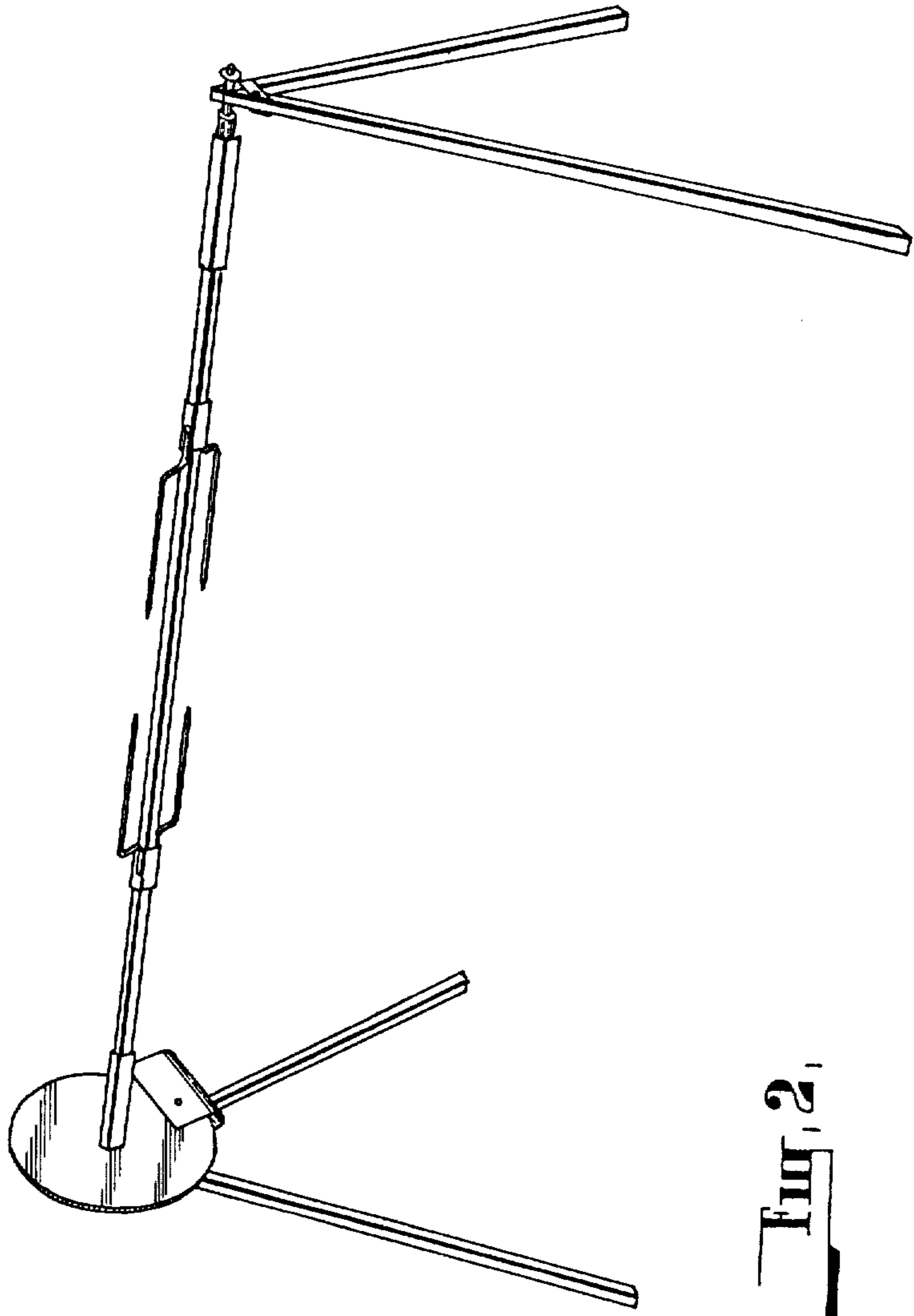
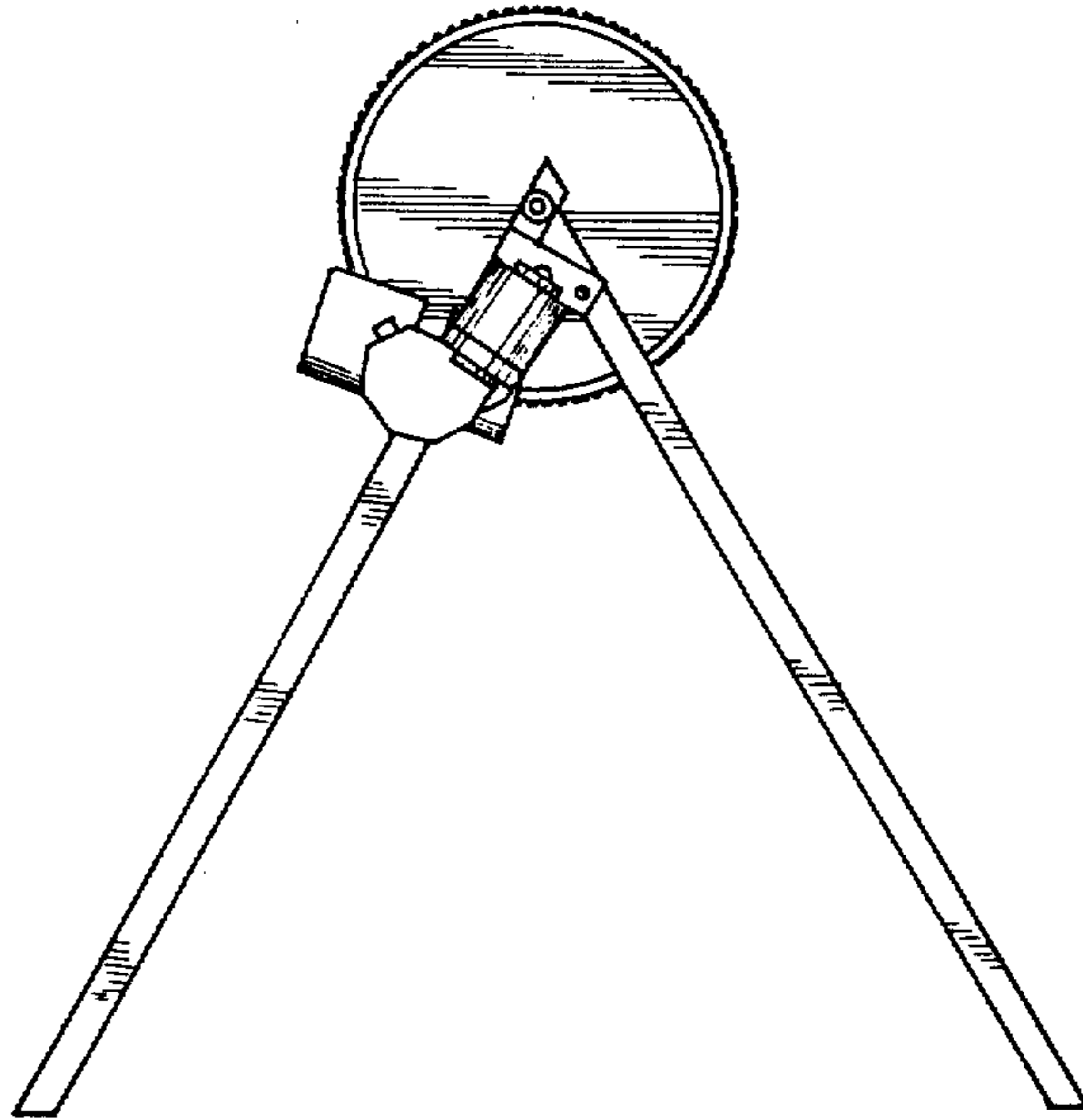
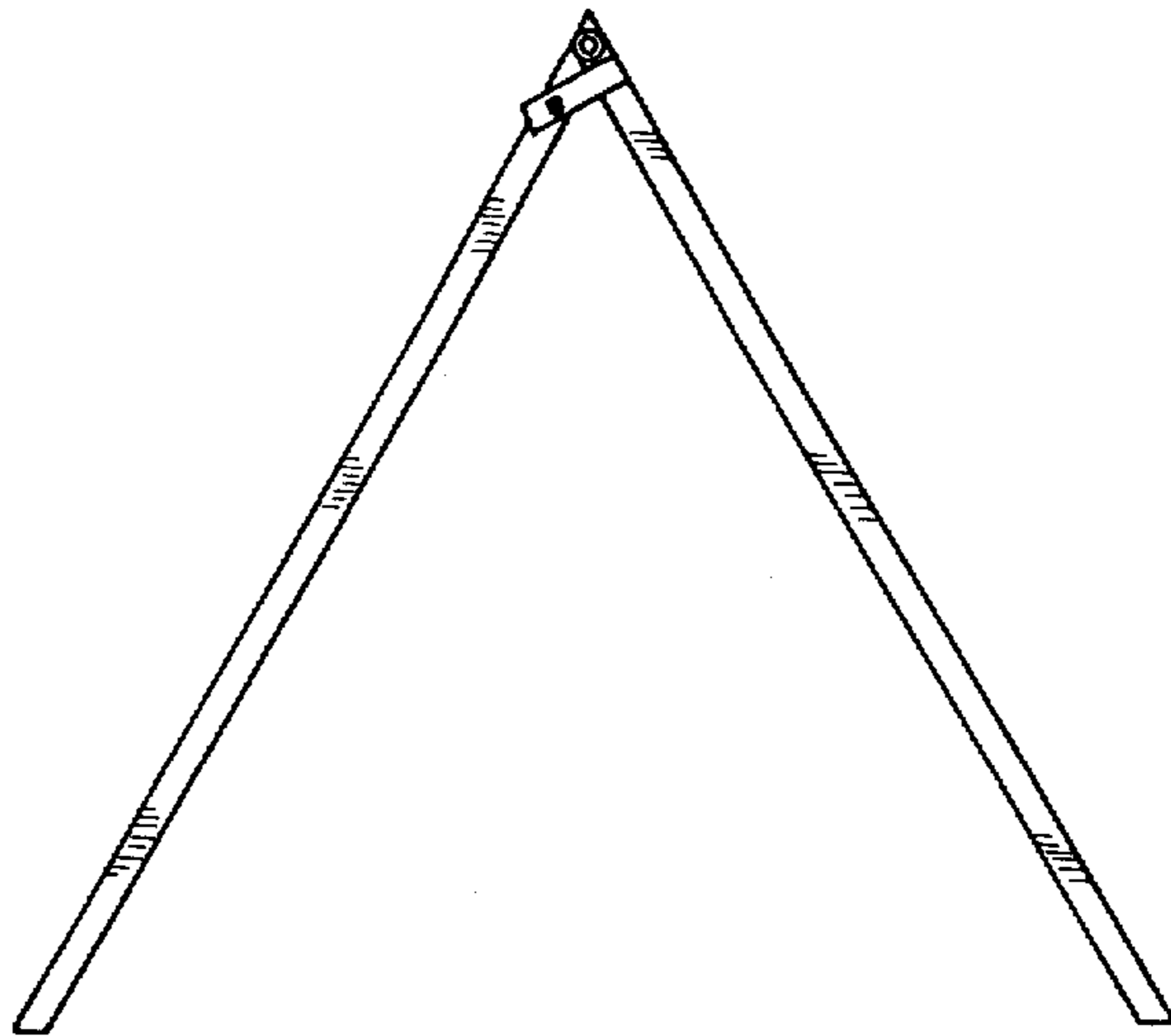


Fig. 2.



**Fig. 3,**



**Fig. 4,**

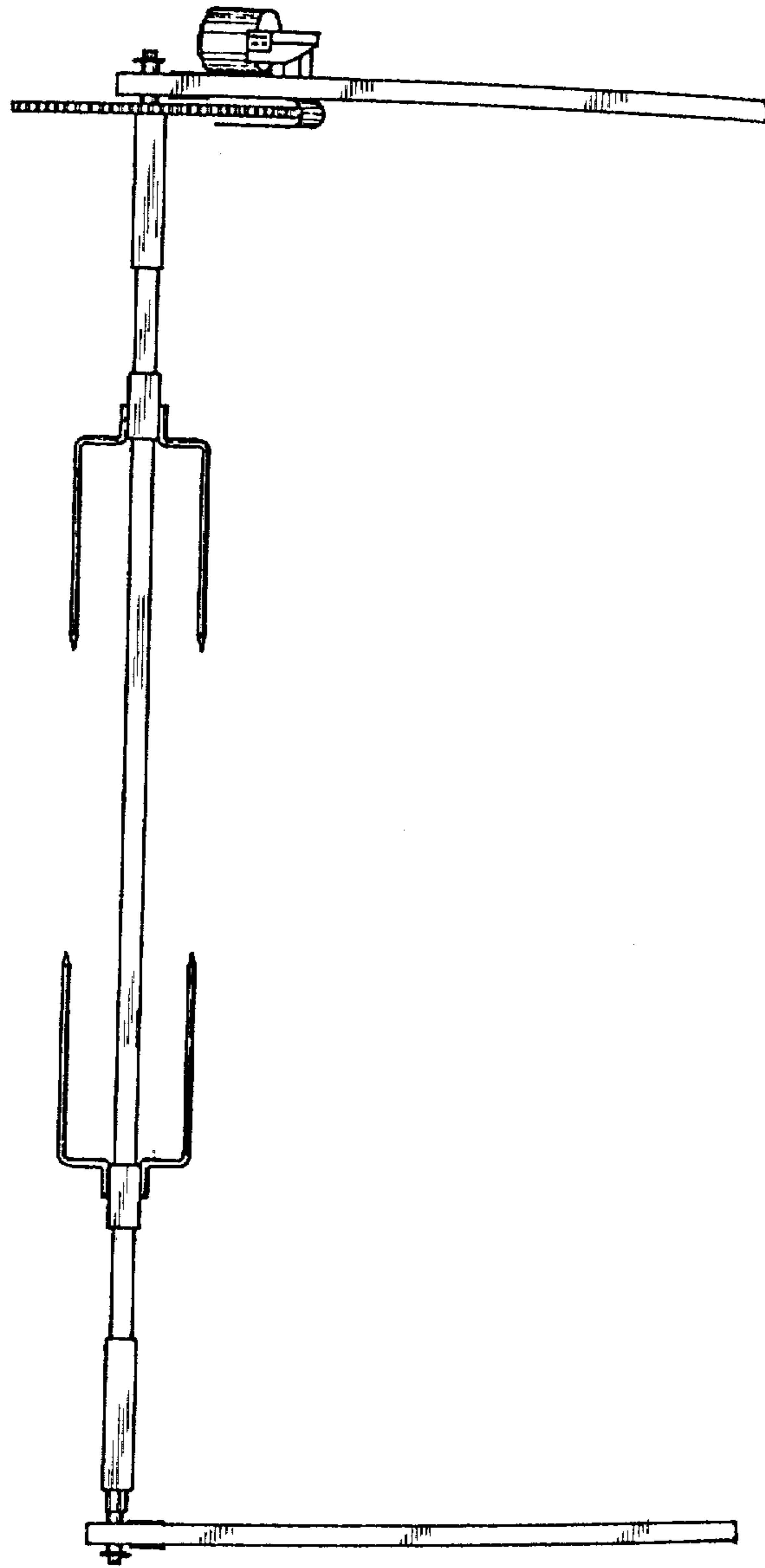


Fig. 5