

[54] SPATULA

[76] Inventors: William M. Riggles, Jr., 7400 Miami Lakes Dr. West, Apt. 107-D; Sheryl S. Smith, 14520 Mahogany Ct., both of Miami Lakes, Fla. 33014

[**] Term: 14 Years

[21] Appl. No.: 125,331

[22] Filed: Feb. 28, 1980

[51] Int. Cl. D7-02
[52] U.S. Cl. D7/105; D7/102
[58] Field of Search D7/101, 102, 104, 105, D7/106, 148, 149; 16/114 R, 114 A; 294/7, 8.5, 11, 33

[56]

References Cited

U.S. PATENT DOCUMENTS

D, 246,280	11/1977	Daenen	D7/105
D. 250,080	10/1978	Kavalaris	D7/102 X
784,803	3/1905	Moylan	16/114 A
865,917	9/1907	Kuehnlein	294/29 X
1,538,536	5/1925	Wisoff	294/33

Primary Examiner—Leland A. Sebastian

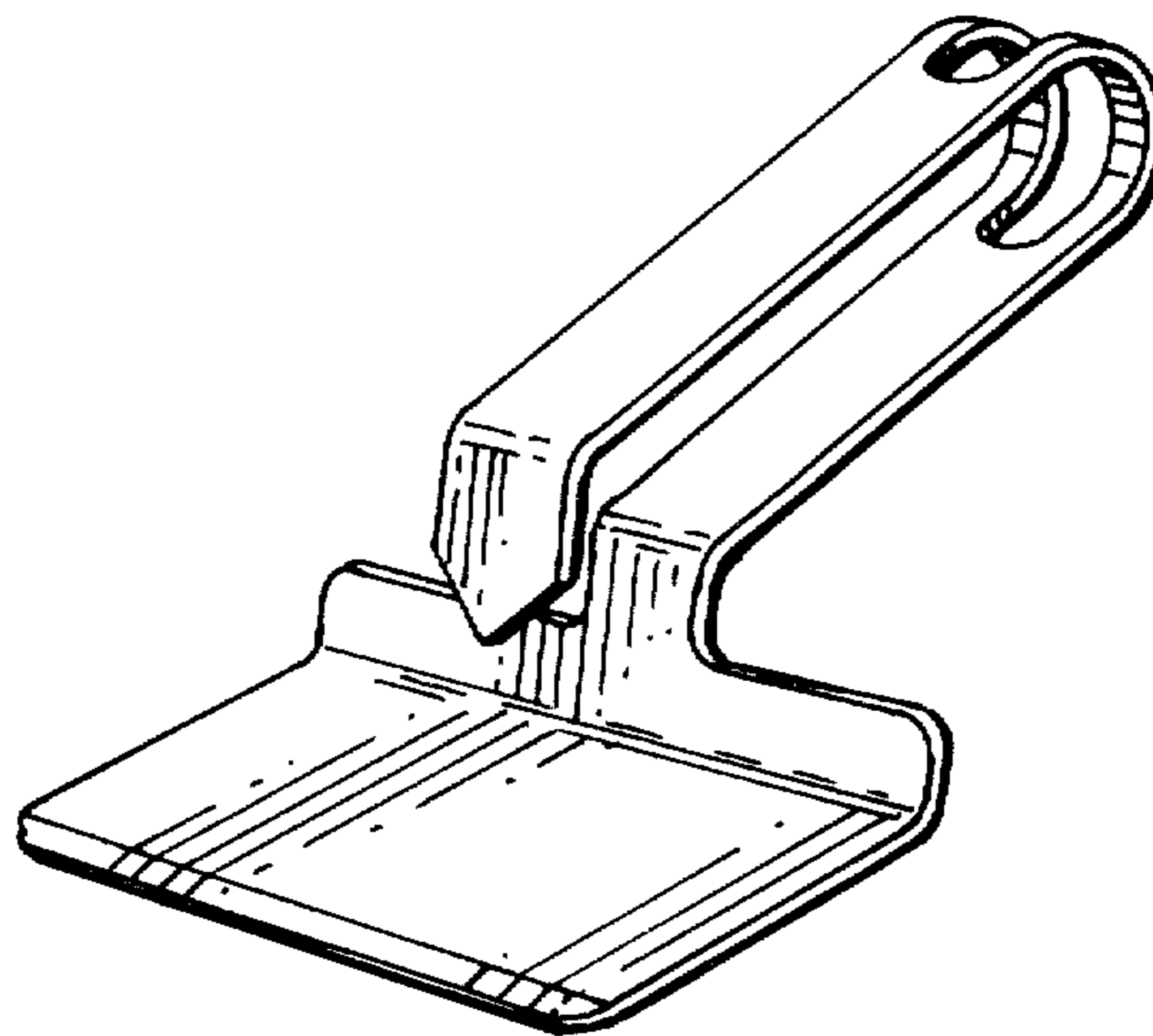
[57]

CLAIM

The ornamental design for a spatula, as shown.

DESCRIPTION

FIG. 1 is a perspective view of a spatula showing our new design;
FIG. 2 is a top plan view thereof;
FIG. 3 is a side elevational view, the opposite side being a mirror image thereof;
FIG. 4 is a bottom plan view thereof;
FIG. 5 is a front elevational view thereof;
FIG. 6 is a rear elevational view thereof.



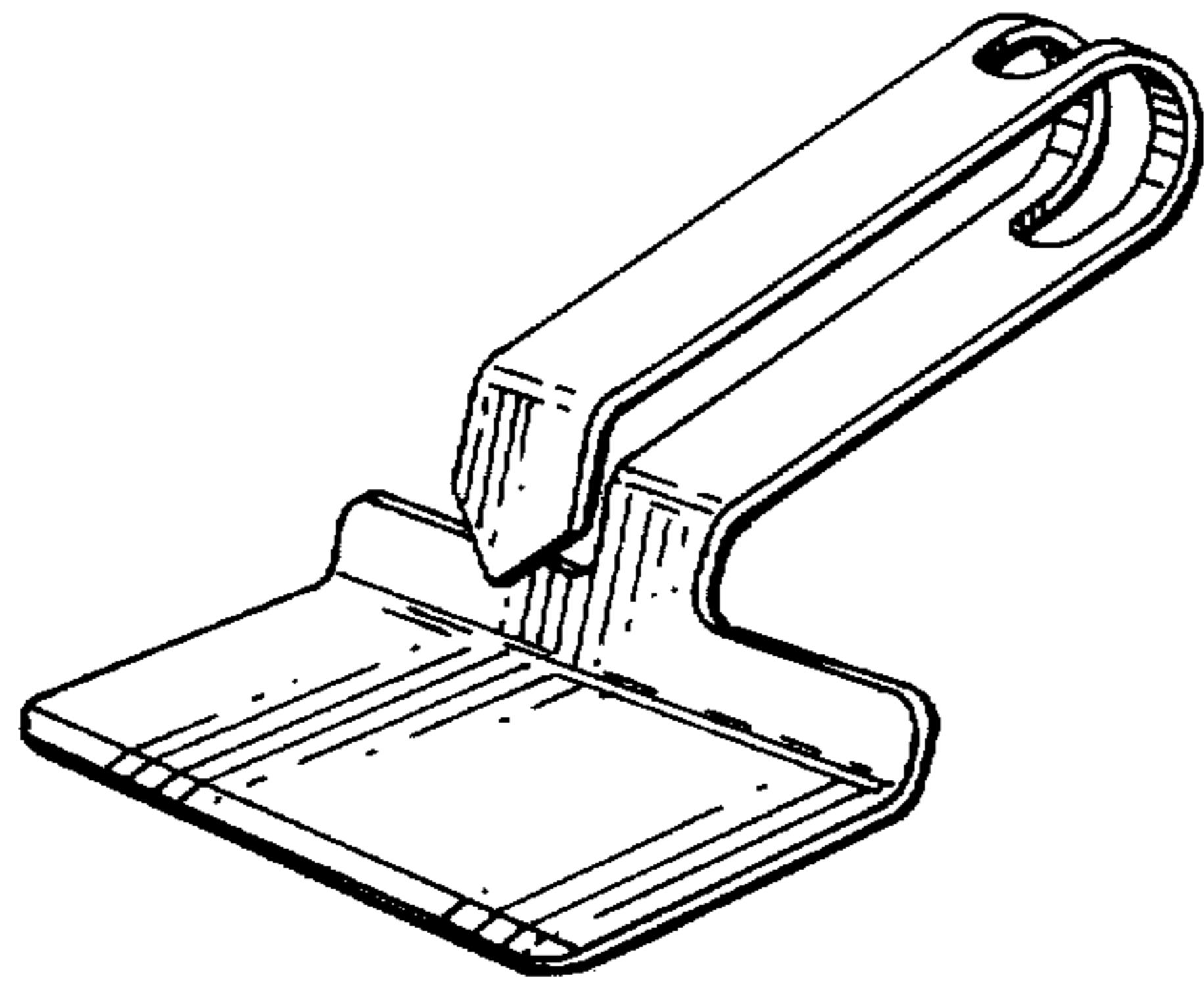


FIG. 1

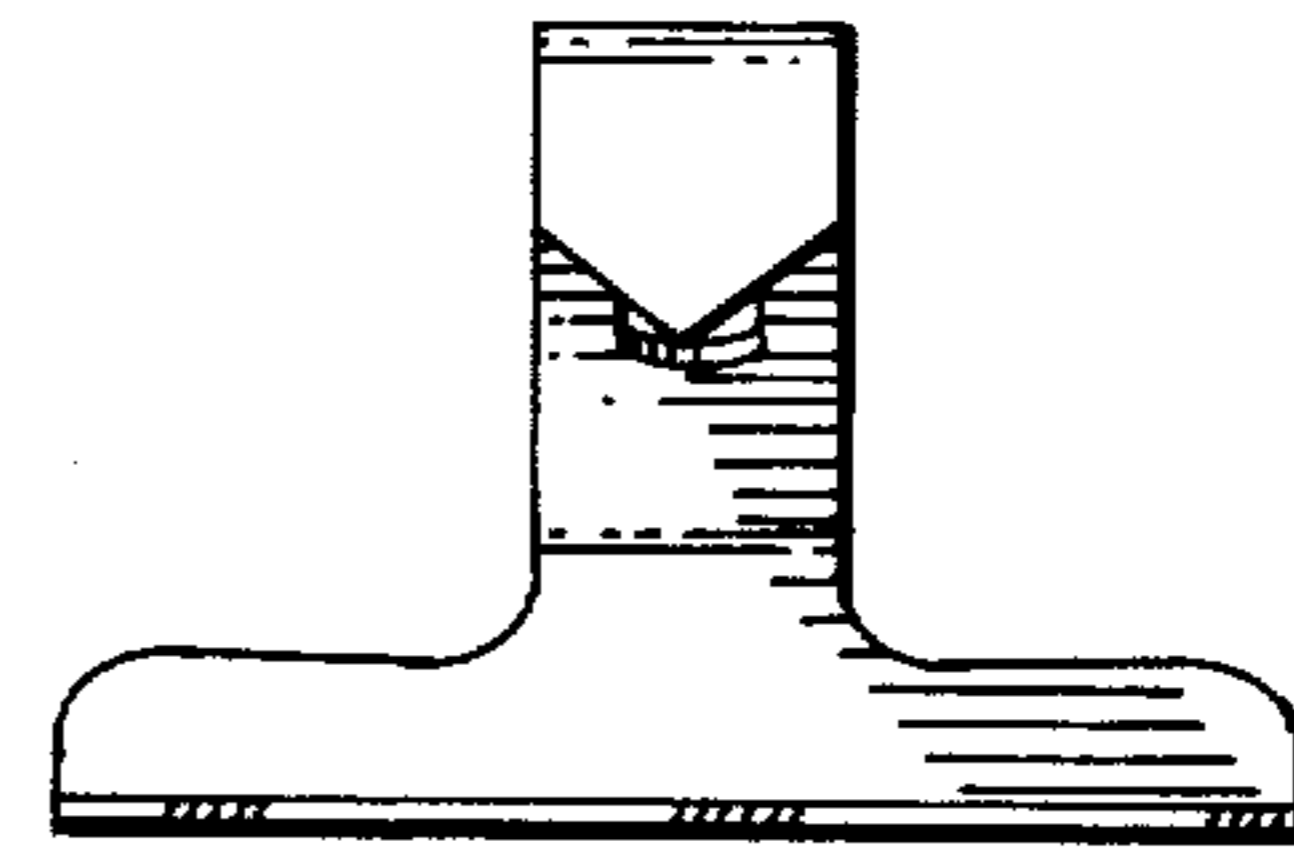


FIG. 5

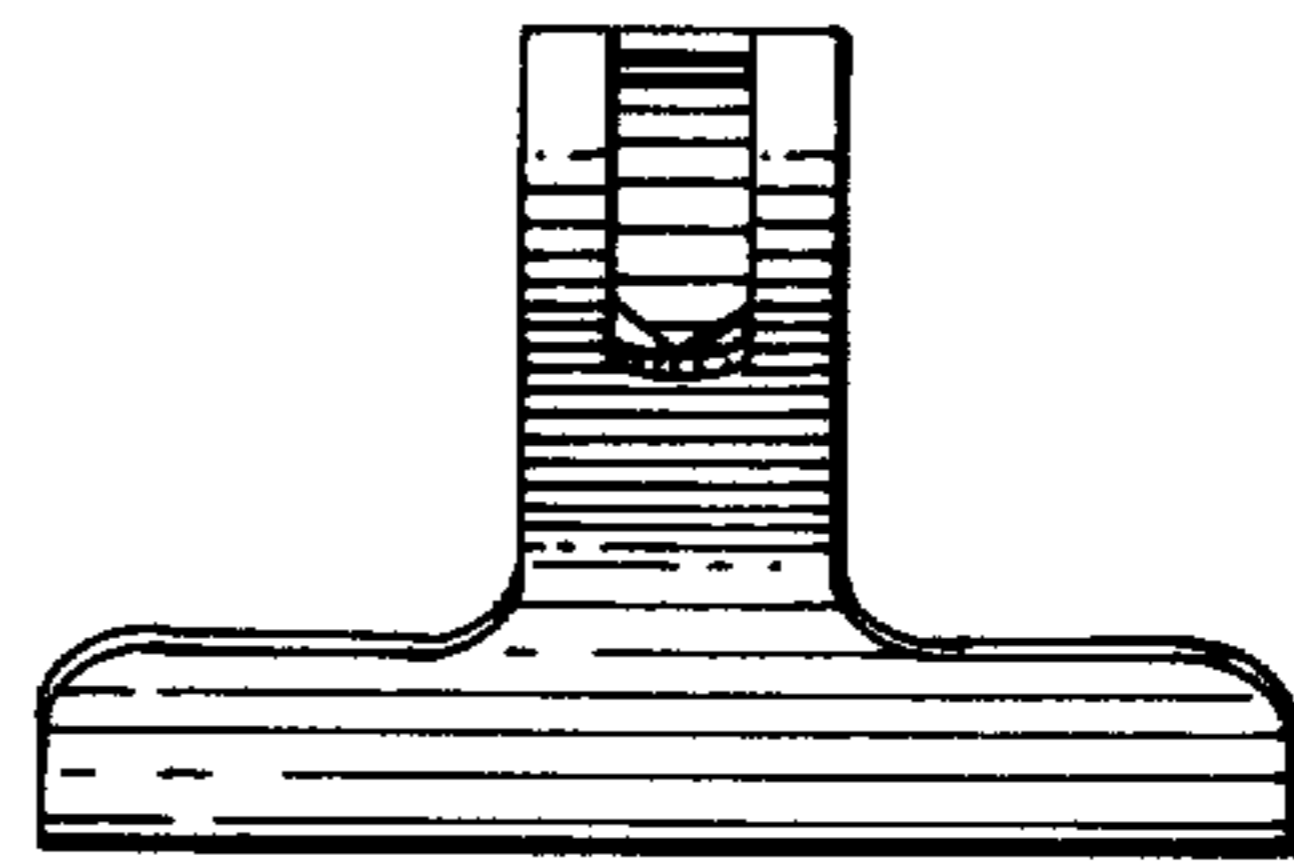


FIG. 6

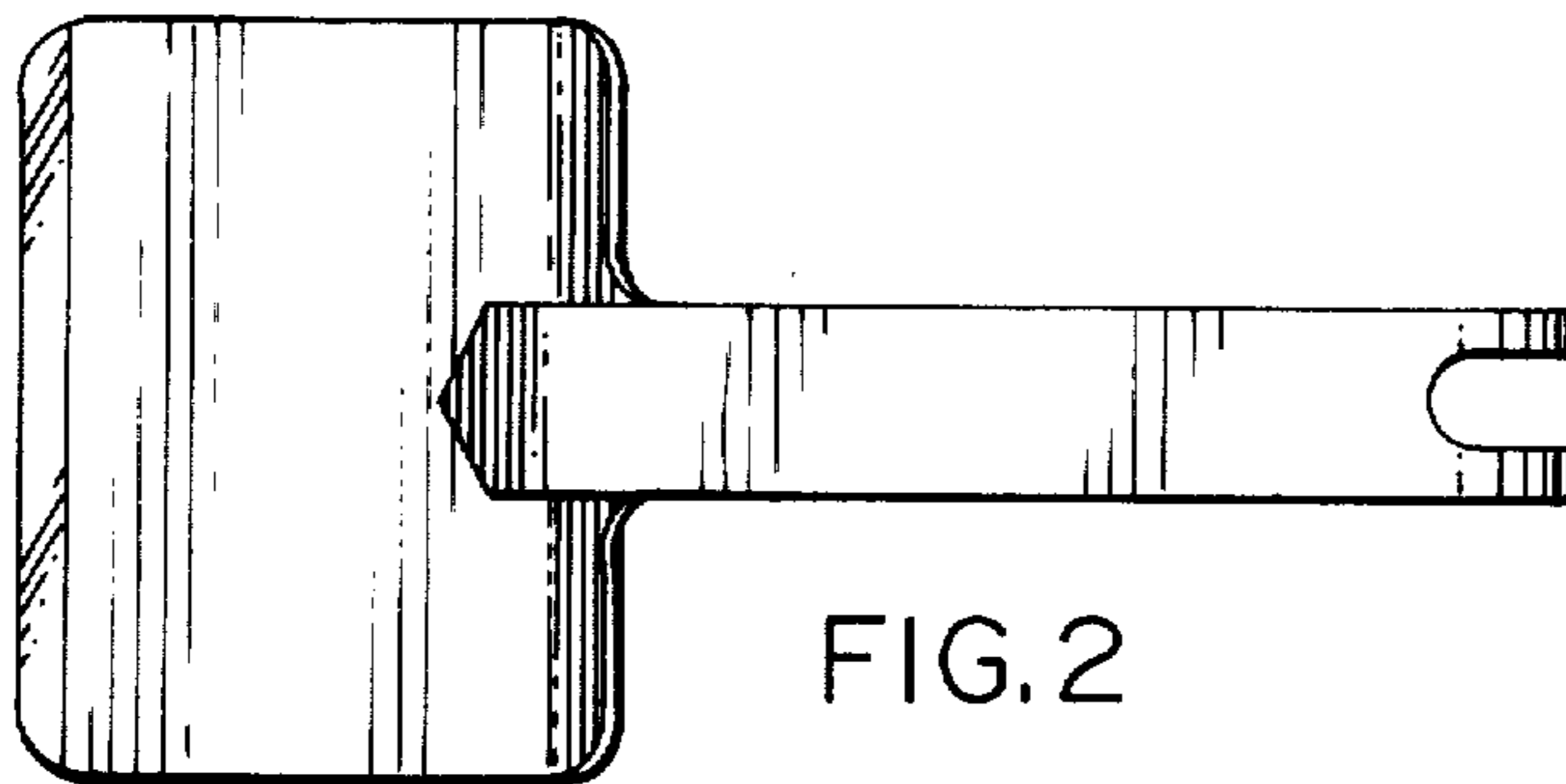


FIG. 2

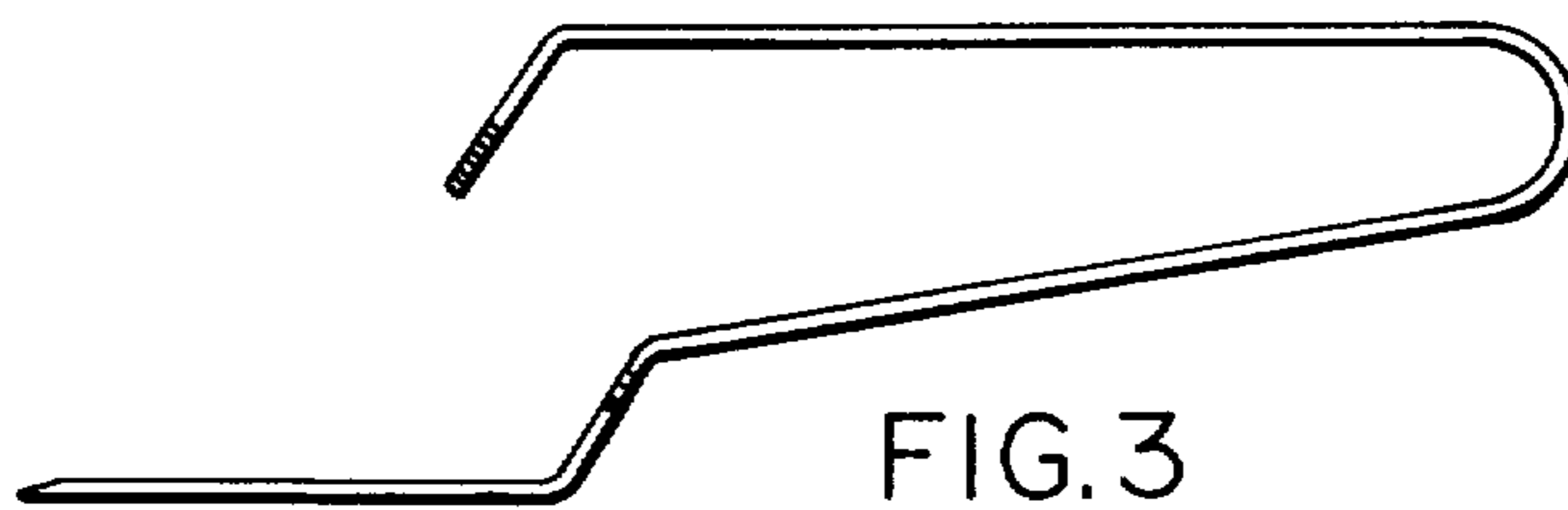


FIG. 3

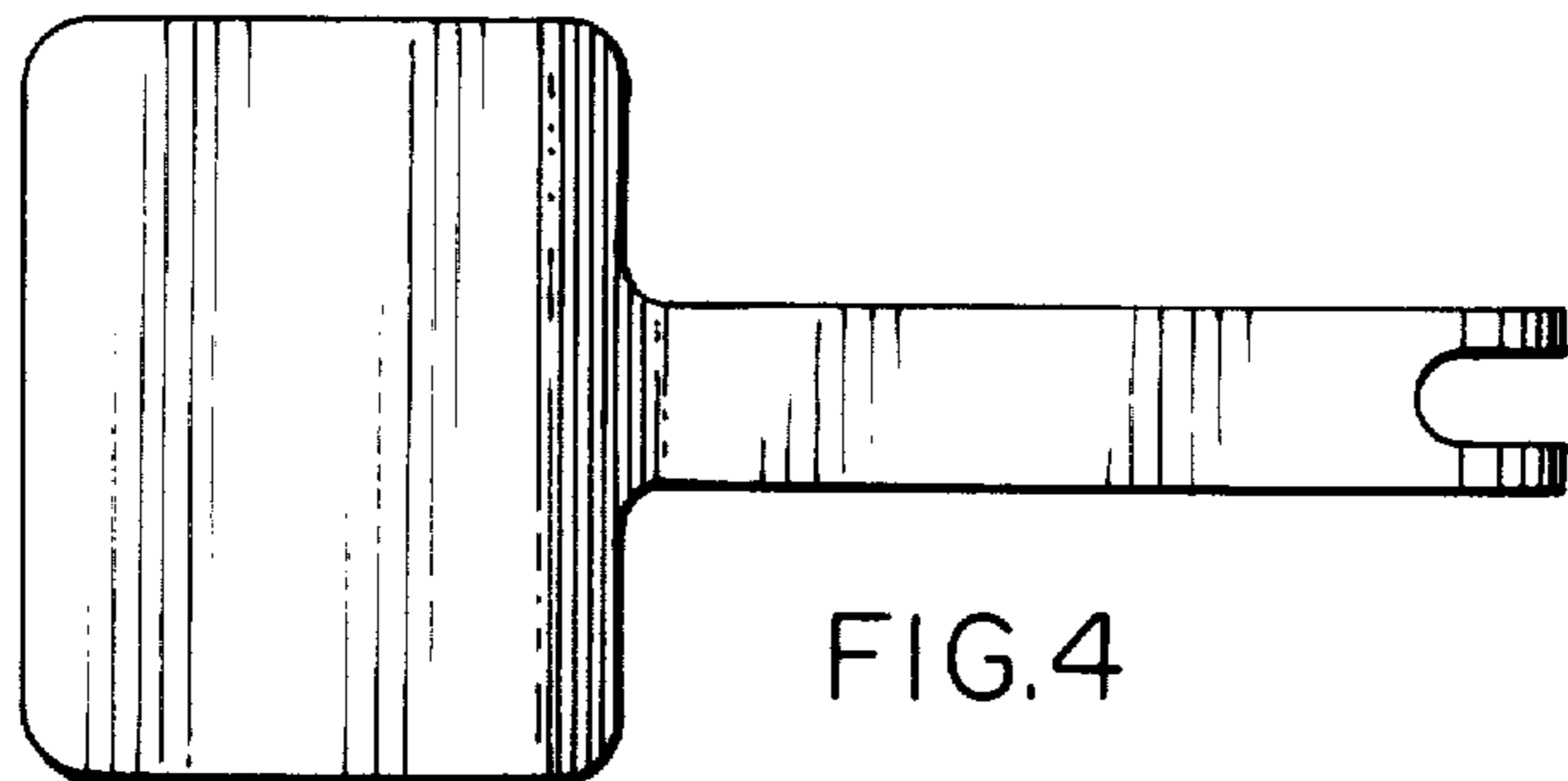


FIG. 4