

[54] RACK OR THE LIKE

[75] Inventors: Robert F. Bateman, Greenville; Ann K. Fritz, Woonsocket, both of R.I.; Rino Conti, Stoughton, Mass.

[73] Assignee: Dart Industries, Inc., Los Angeles, Calif.

[**] Term: 14 Years

[21] Appl. No.: 74,589

[22] Filed: Sep. 12, 1979

[51] Int. Cl. D6-06; D8-08

[52] U.S. Cl. D6/114; D8/373

[58] Field of Search D6/114, 125, 116; D8/373; 211/35, 71, 75, 87; 248/311.2, 312.1, 312; 108/152

[56]

References Cited

U.S. PATENT DOCUMENTS

D. 207,411	4/1967	Diesinger	D6/130
D. 252,429	7/1979	Morin	D6/114
773,366	10/1904	Bennett	248/312
917,914	4/1909	Van Otteren	248/312
2,581,019	1/1952	Heide	108/152
3,552,612	1/1971	Greis	211/075

Primary Examiner—B. J. Bullock
Attorney, Agent, or Firm—Leigh B. Taylor

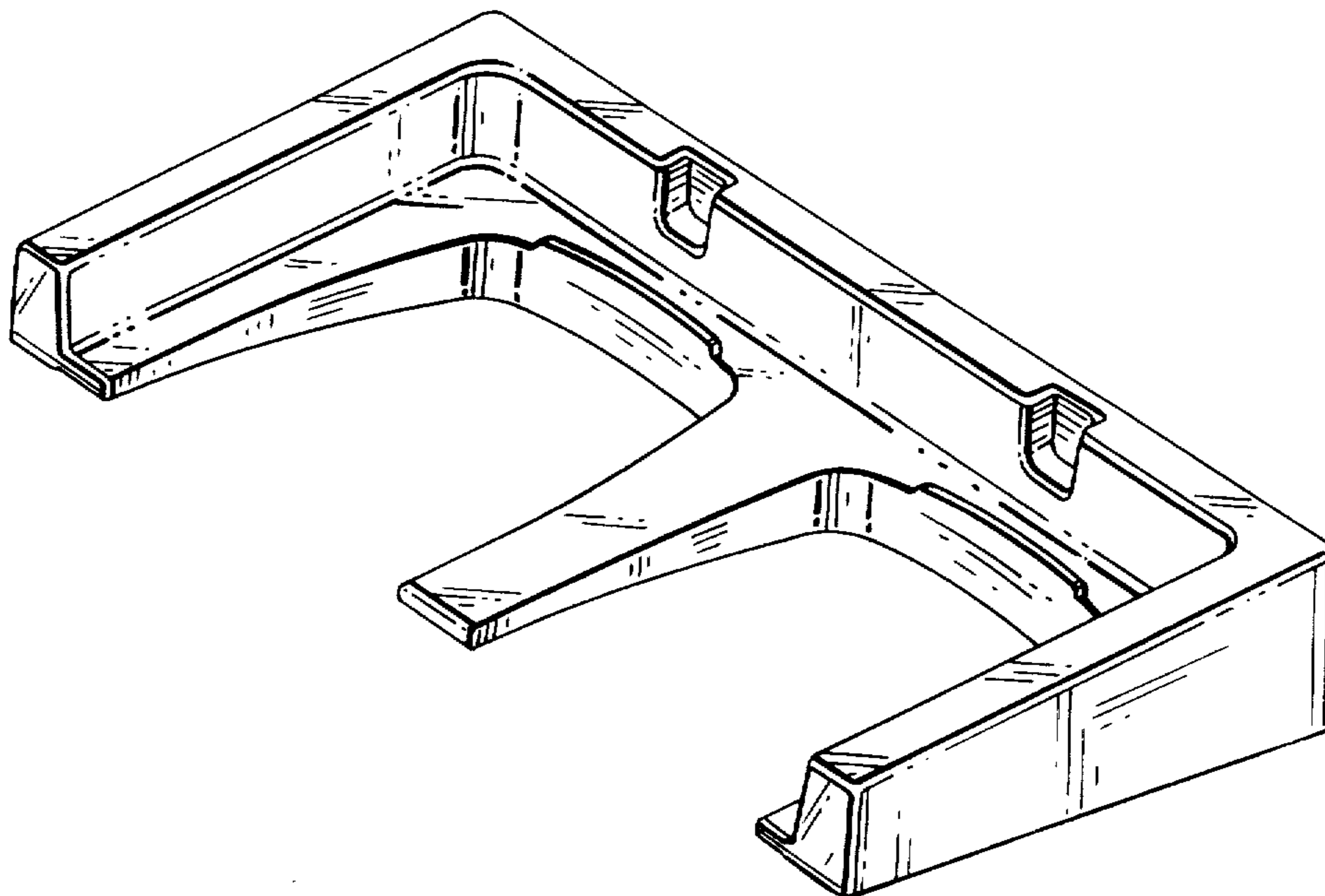
[57]

CLAIM

The ornamental design for a rack or the like, substantially as is shown.

DESCRIPTION

FIG. 1 is a top perspective view of the rack or the like embodying our new design;
FIG. 2 is a front elevational view thereof;
FIG. 3 is a top plan view thereof;
FIG. 4 is a bottom plan view thereof;
FIG. 5 is a rear elevational view thereof; and
FIG. 6 is a side elevational view thereof.



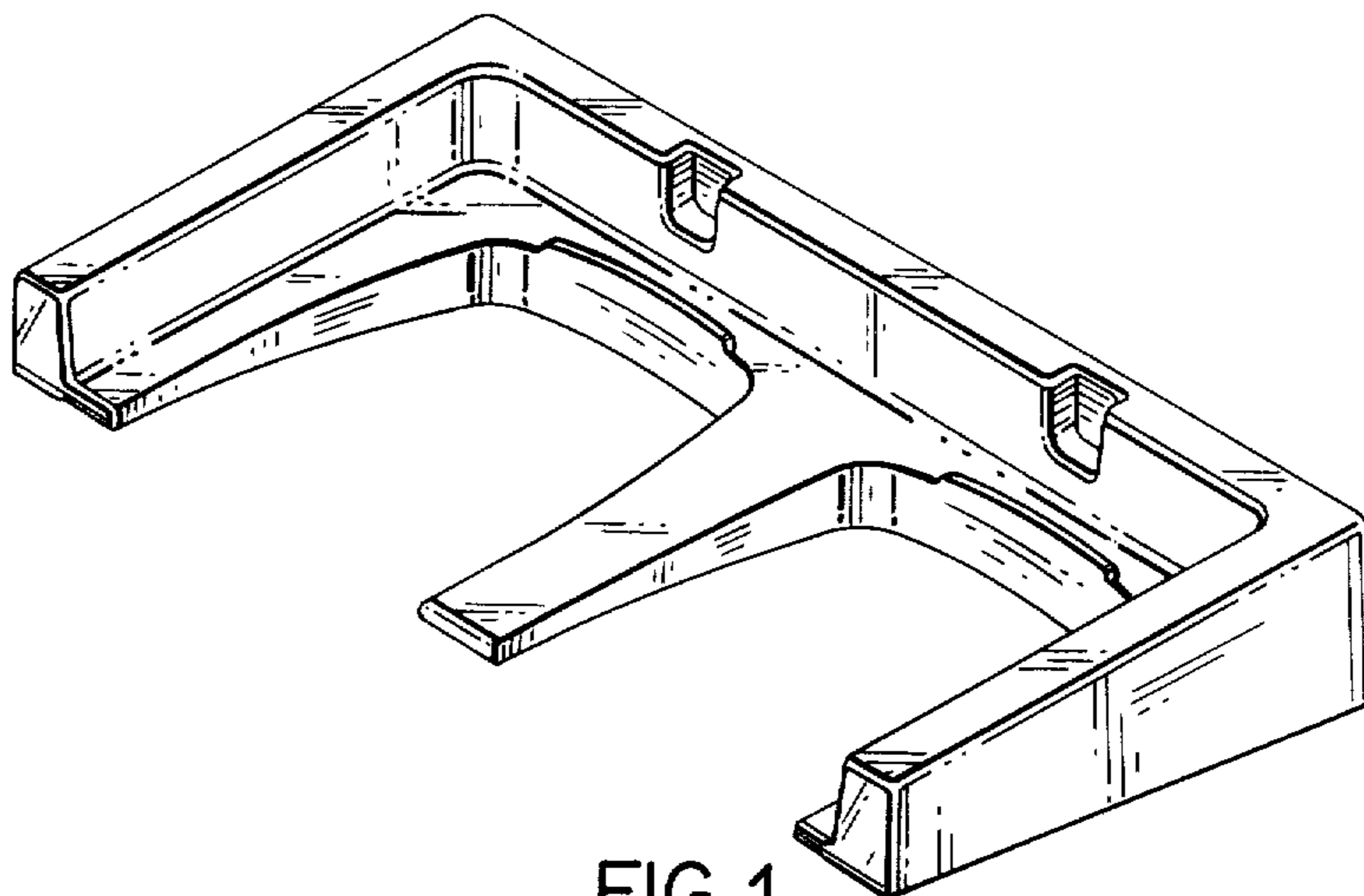


FIG. 1

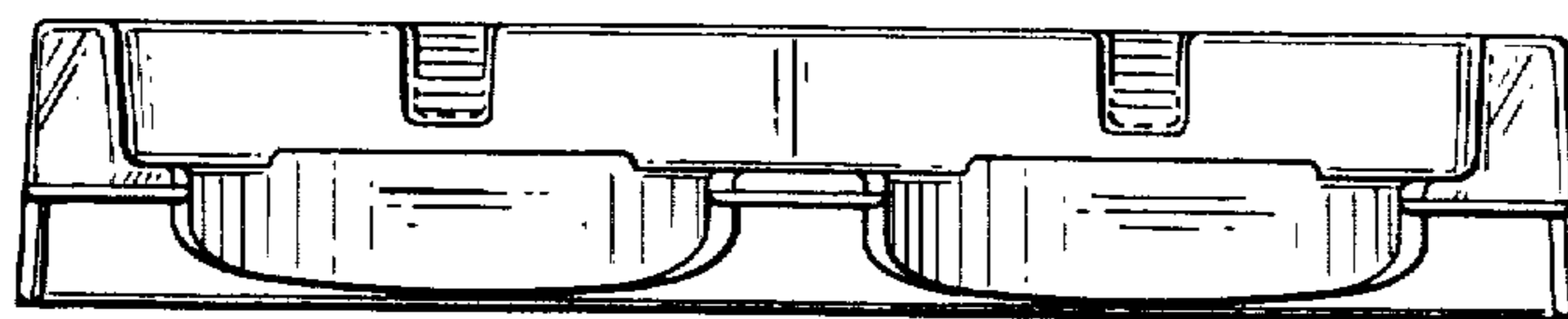


FIG. 2

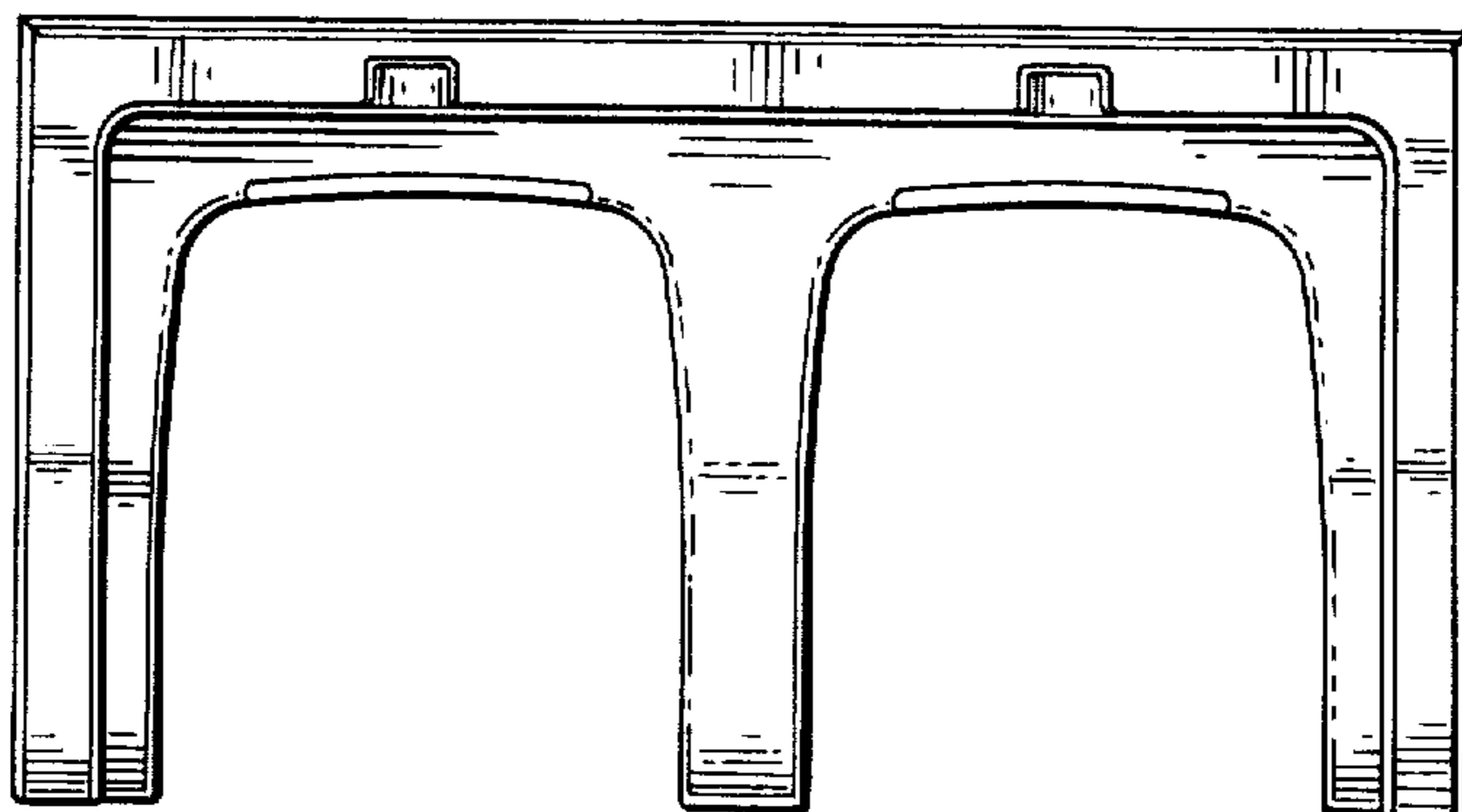


FIG. 3

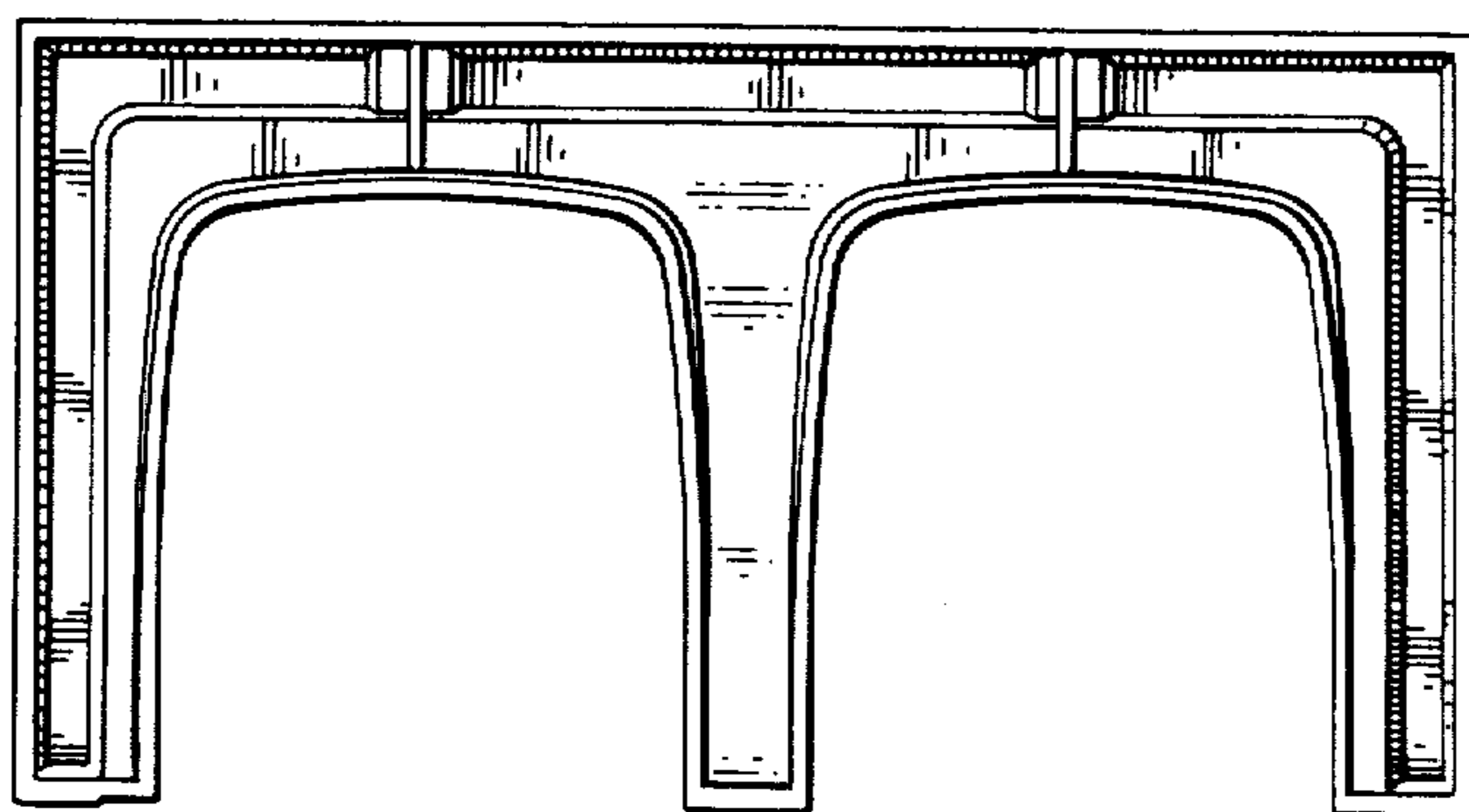


FIG. 4

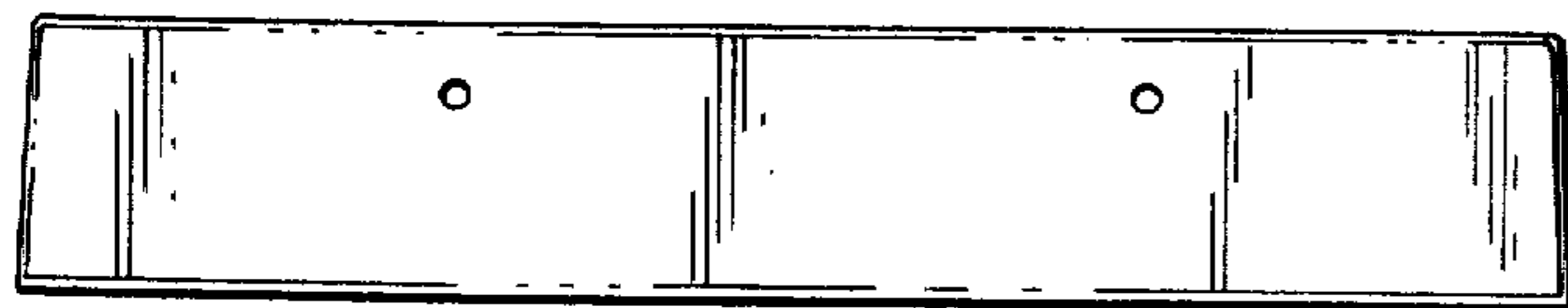


FIG. 5

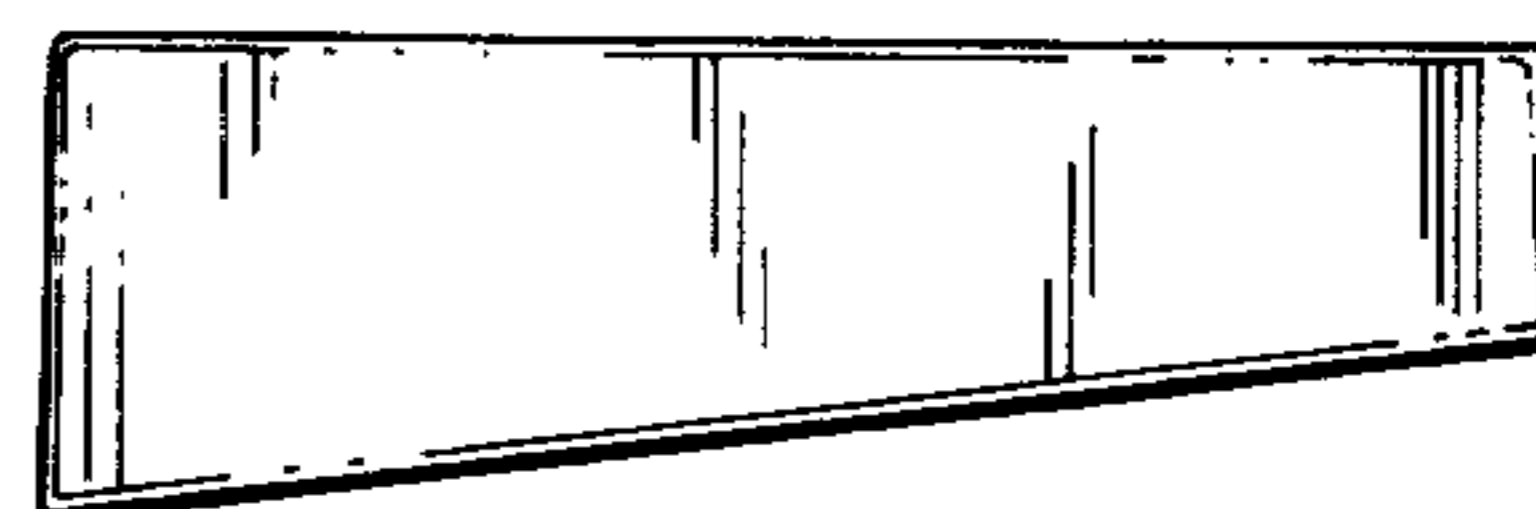


FIG. 6