

[54] BOOKENDS

[76] Inventor: Gertrude L. Barnstone, 1401 Harold, Houston, Tex. 77006

[\*\*] Term: 14 Years

[21] Appl. No.: 62,690

[22] Filed: Aug. 1, 1979

[51] Int. Cl. .... D6-06

[52] U.S. Cl. .... D6/106

[58] Field of Search ..... D6/106-110, D6/184, 185; 211/42, 43; D19/90

[56] References Cited

U.S. PATENT DOCUMENTS

- D. 222,887 1/1972 Weyll ..... D6/106
- 1,750,576 3/1930 Cubberley ..... 211/43

FOREIGN PATENT DOCUMENTS

- 64792 12/1925 Sweden ..... 211/42
- 998346 7/1965 United Kingdom ..... 211/42
- 2149 of 1878 United Kingdom ..... 211/42

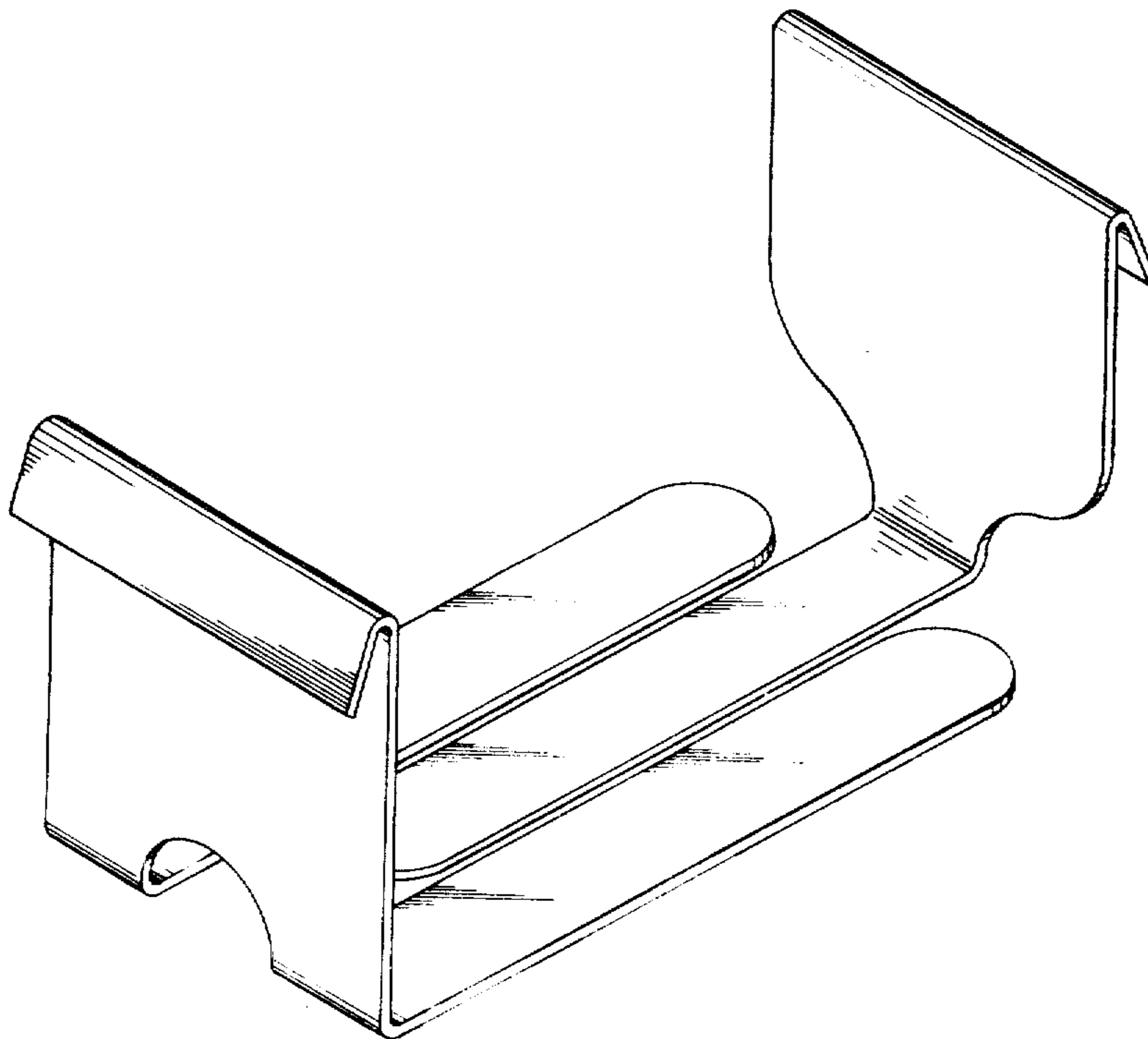
Primary Examiner—B. J. Bullock  
Attorney, Agent, or Firm—Bill B. Berryhill

[57] CLAIM

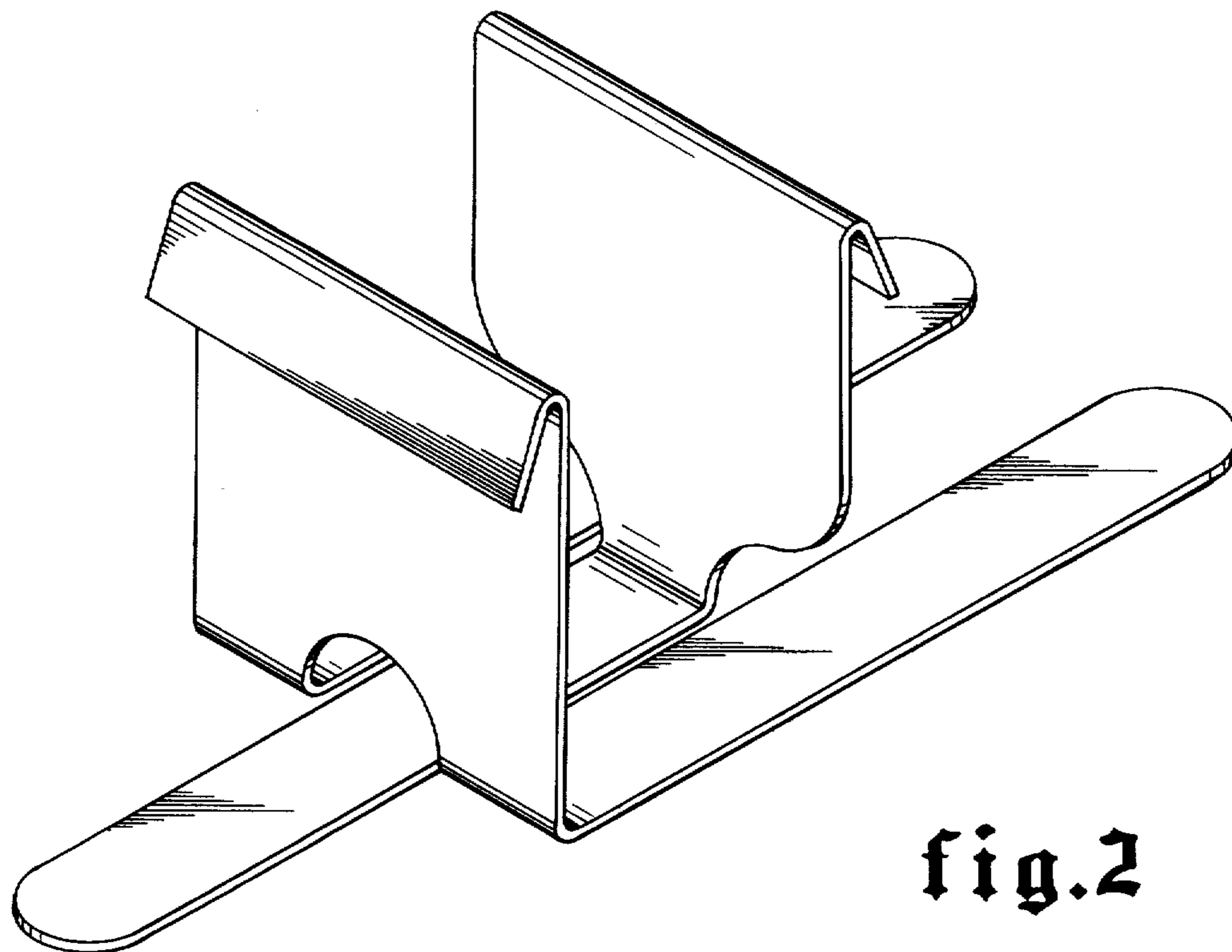
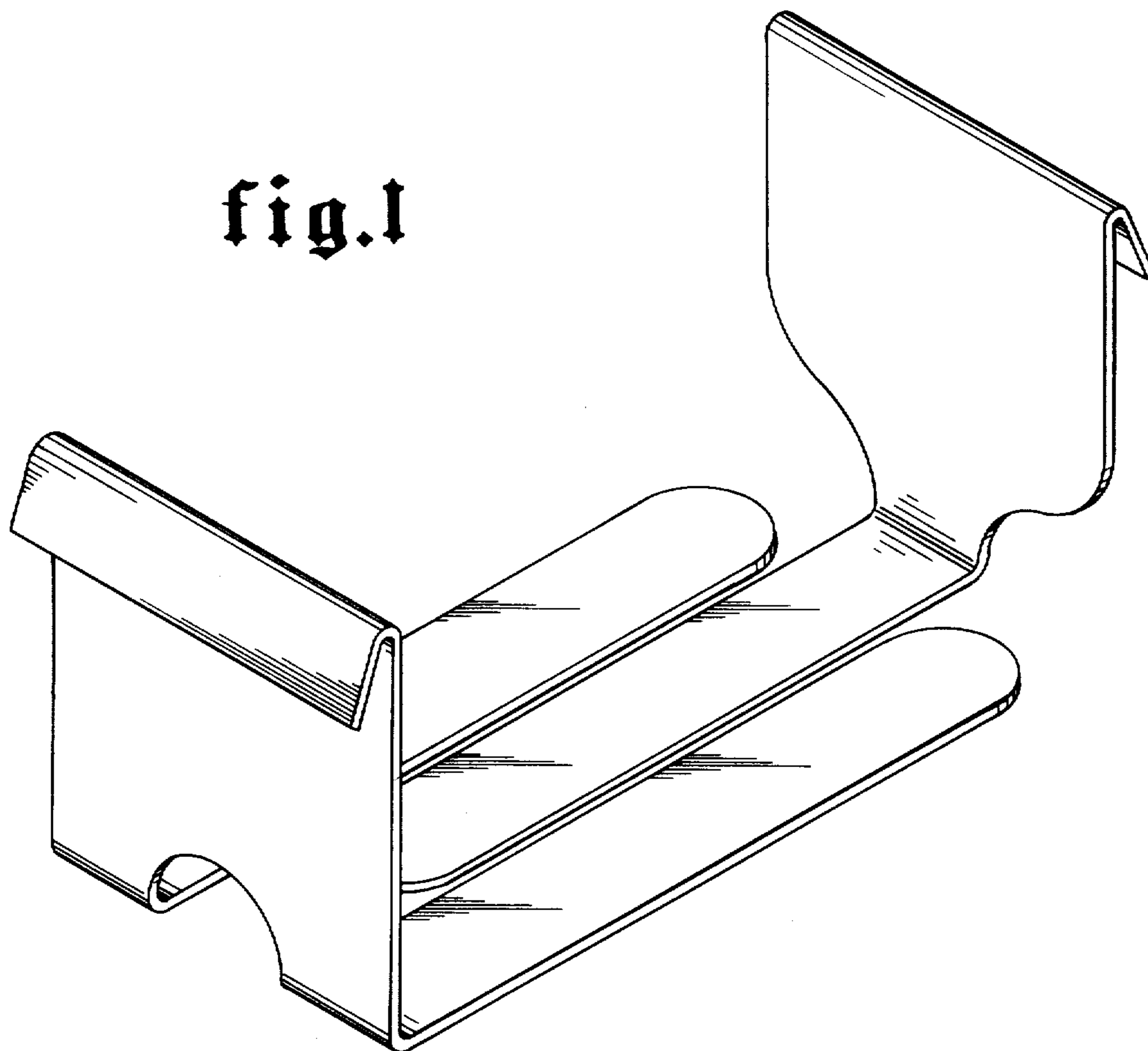
The ornamental design for a pair of bookends, as shown and described.

DESCRIPTION

FIG. 1 is a front perspective view of a pair of bookends showing my new design, the bottom and rear surfaces are planar and unornamented;  
FIG. 2 is a perspective view thereof, in a contracted position.



**fig.1**



**fig.2**