

[54] COMBINED MODEL SUPPORT CRADLE AND STAND THEREFOR

[76] Inventor: David K. Litt, 11824 Chicago Plz. #3, Omaha, Nebr. 68154

[**] Term: 14 Years

[21] Appl. No.: 890,448

[22] Filed: Mar. 27, 1978

[51] Int. Cl. D6-06

[52] U.S. Cl. D6/85; D6/28

[58] Field of Search D6/85, 28; 269/296, 269/321 W

[56] References Cited

U.S. PATENT DOCUMENTS

1,312,306 8/1919 Campbell 269/296
1,389,068 8/1921 Olson 269/296

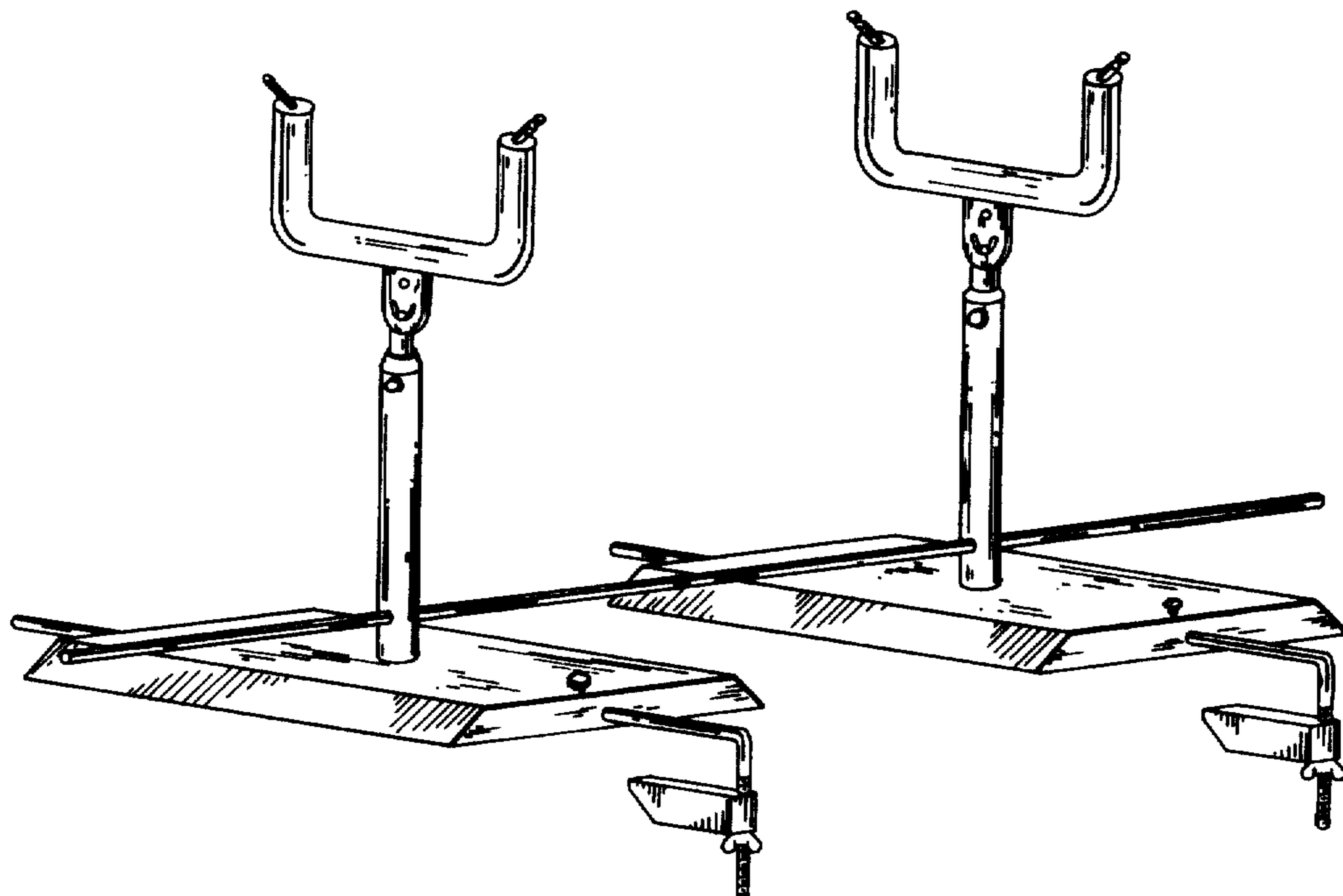
Primary Examiner—B. J. Bullock
Attorney, Agent, or Firm—William D. West

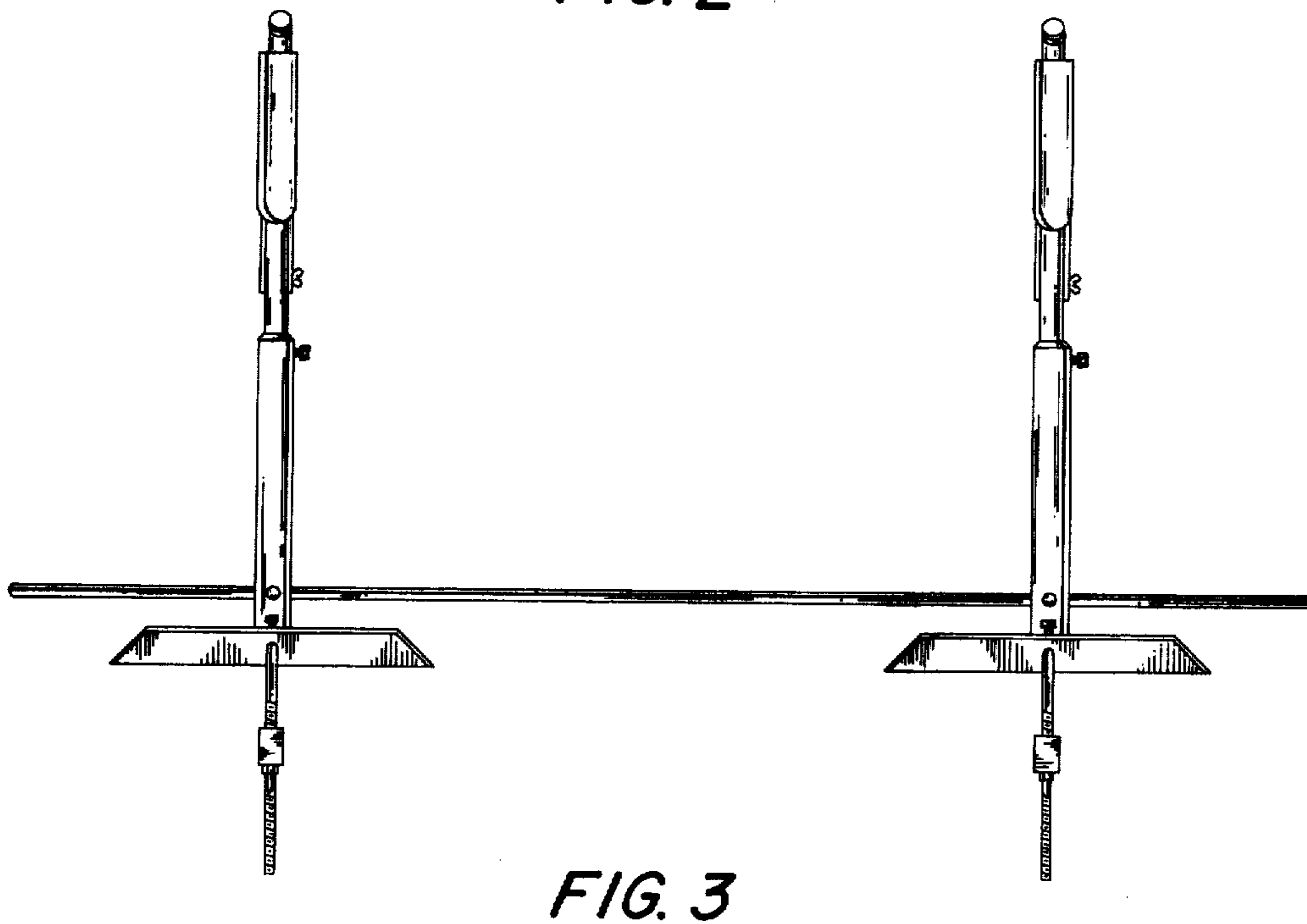
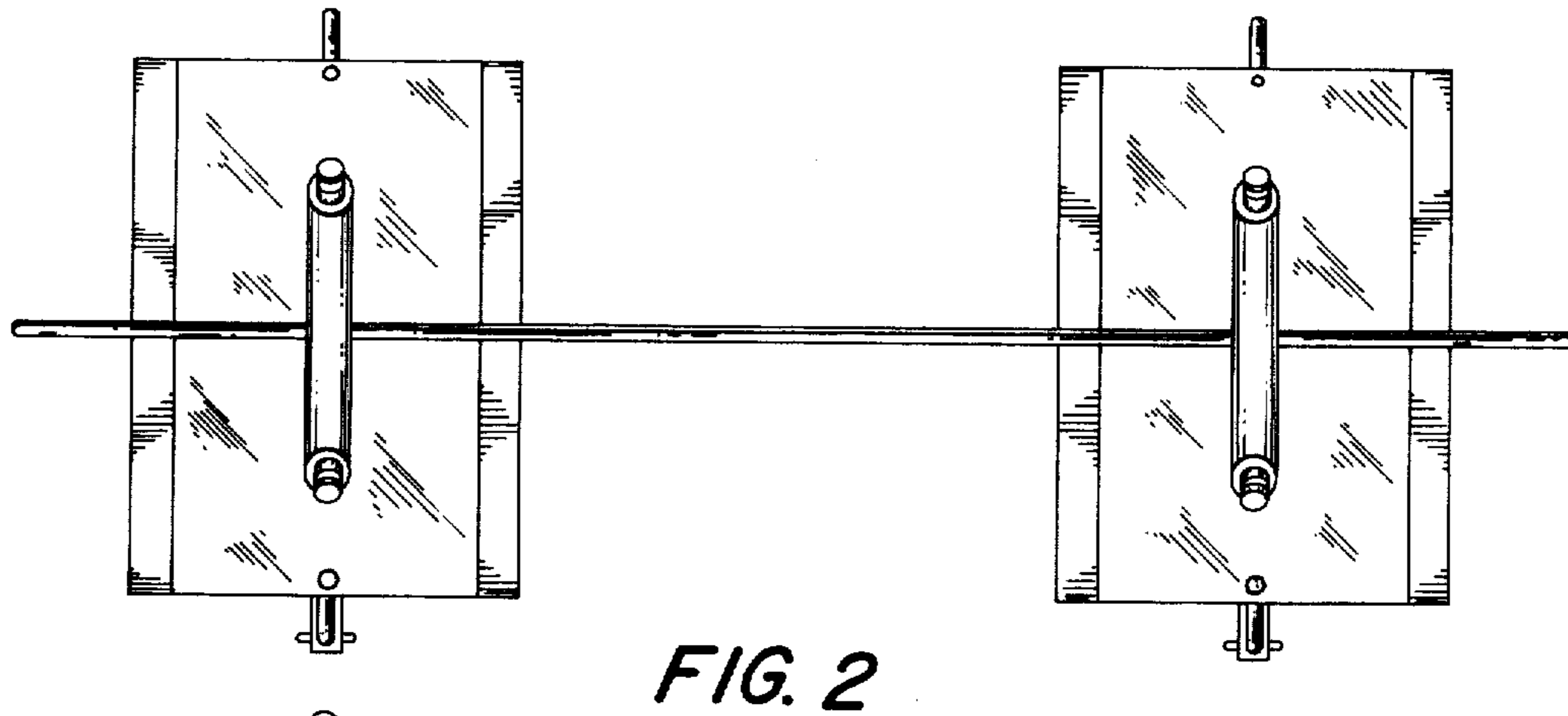
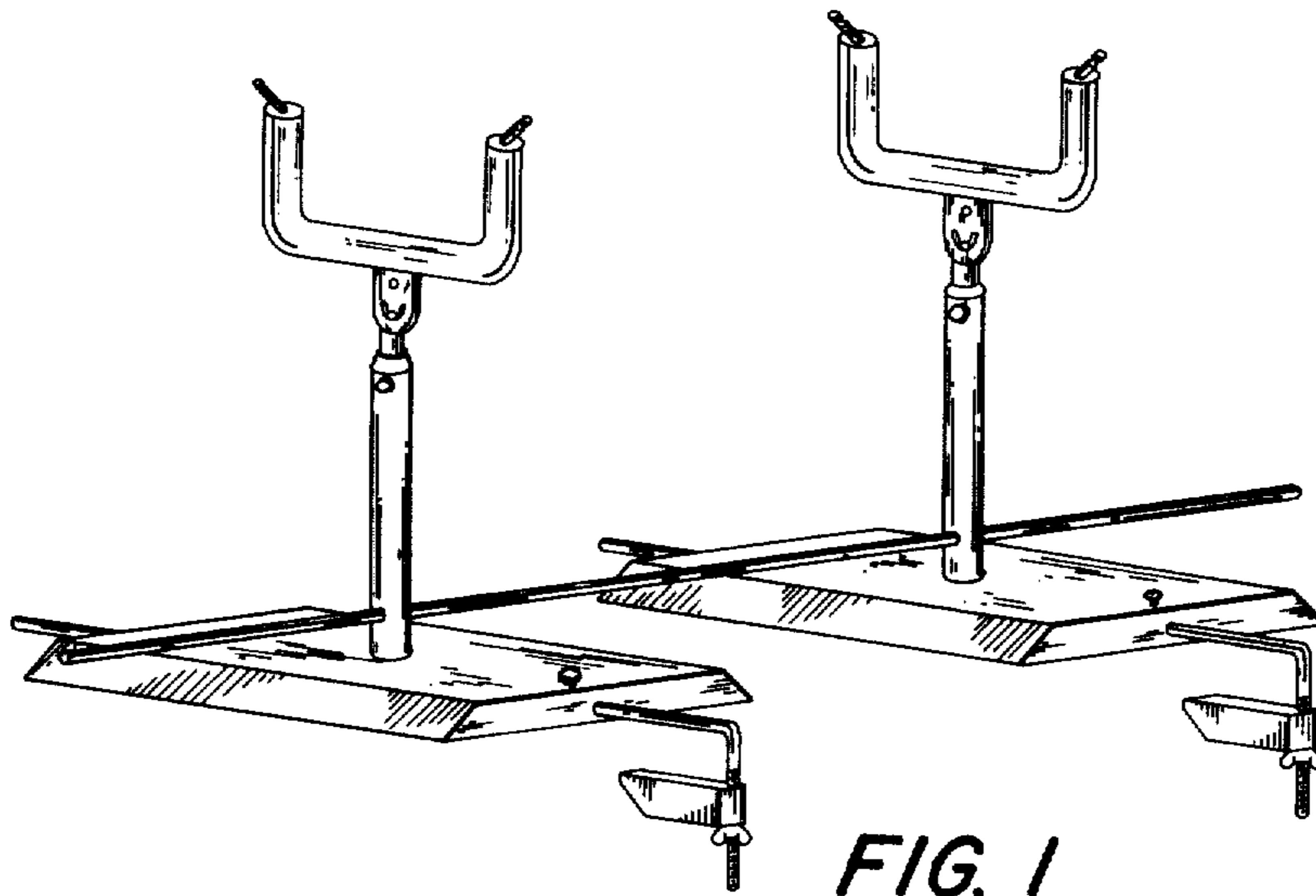
[57] CLAIM

The ornamental design for a combined model support cradle and stand therefor, substantially as shown.

DESCRIPTION

FIG. 1 is a perspective view of a model support cradle and stand, showing my new design;
FIG. 2 is a top plan view thereof;
FIG. 3 is a front elevational view thereof;
FIG. 4 is a side elevational view thereof taken from the left of FIG. 3; and
FIG. 5 is a bottom plan view thereof.





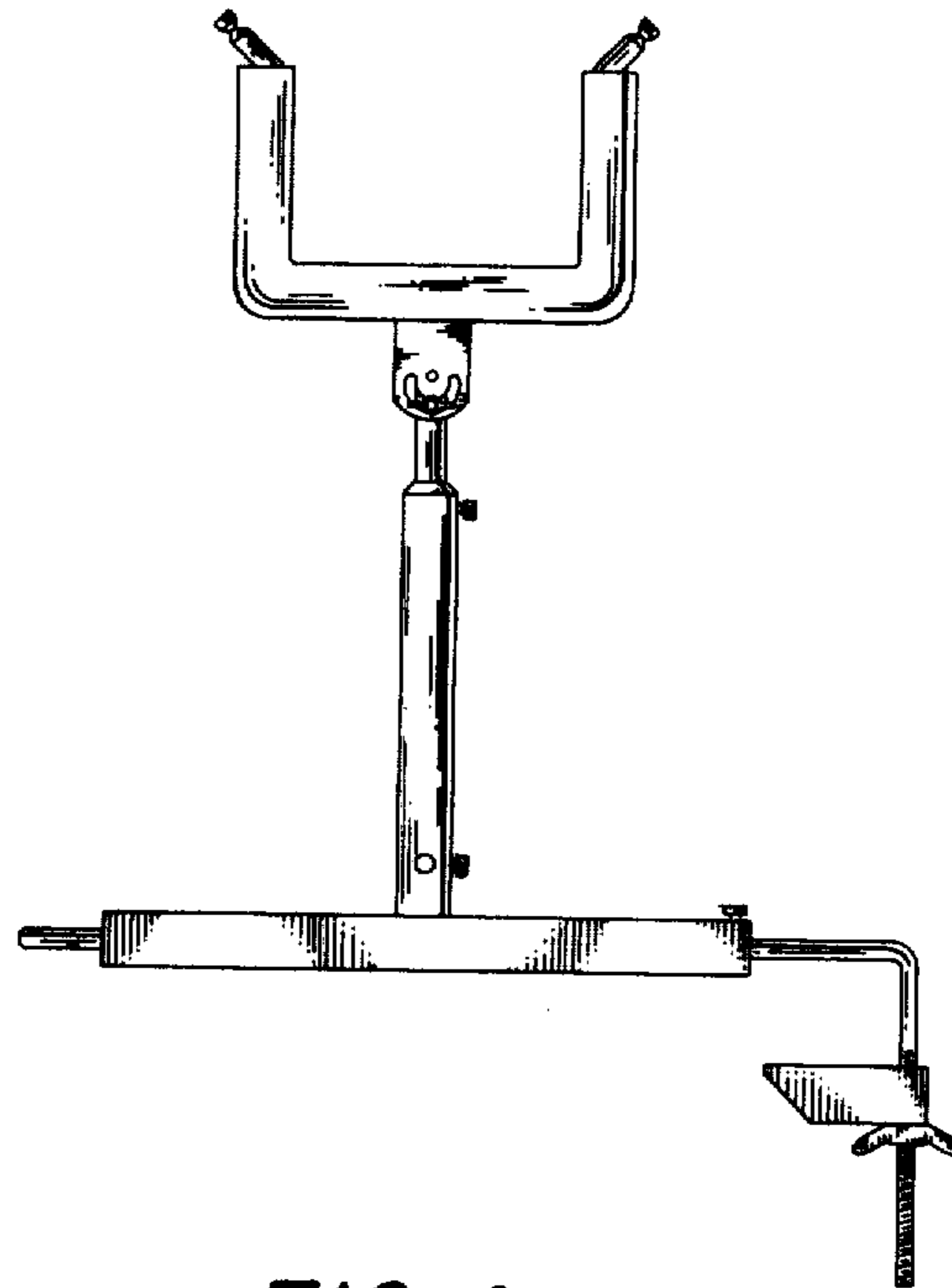


FIG. 4

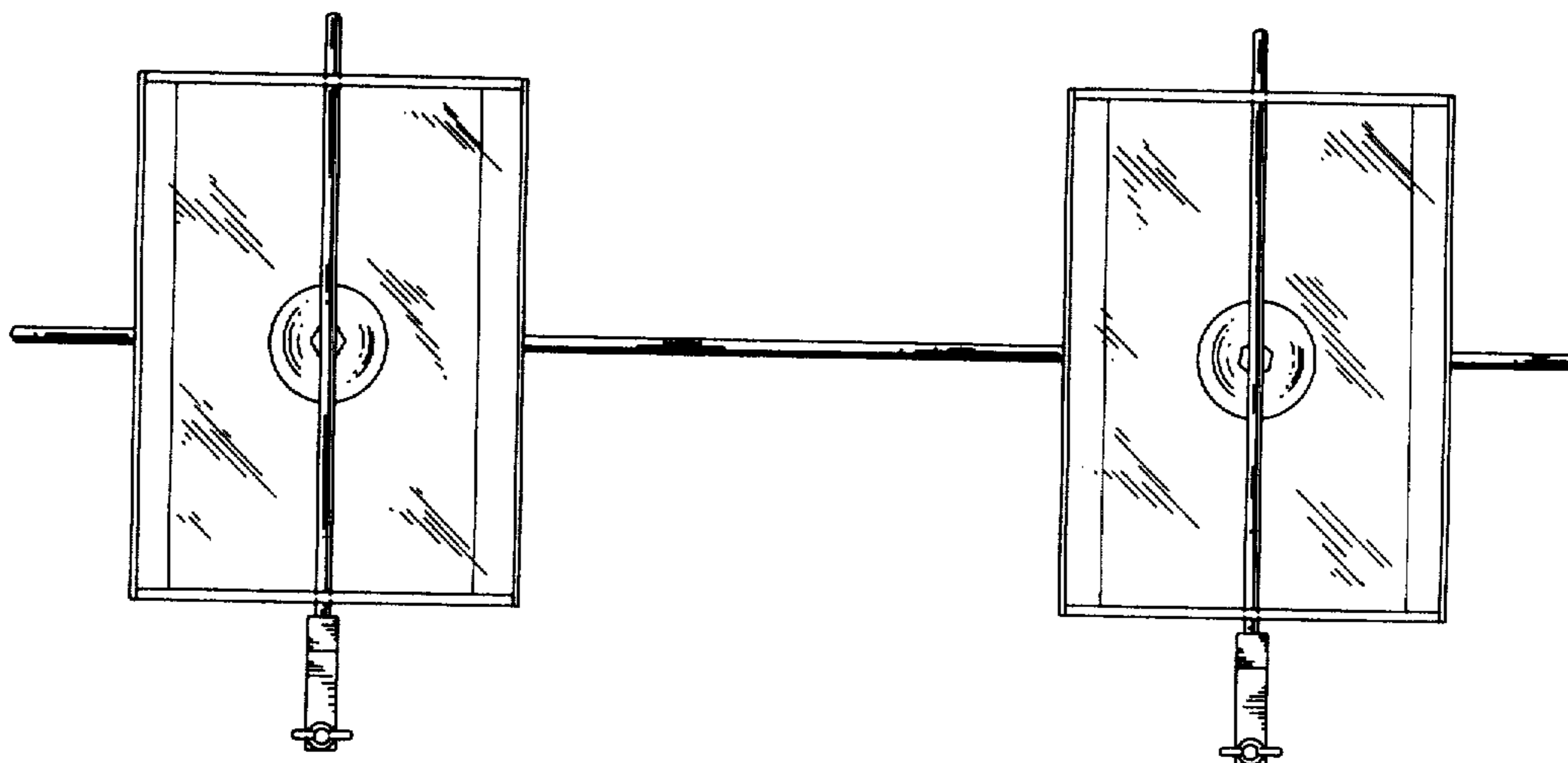


FIG. 5