

[54] **INHALATION CHAMBER FOR MEDICAL AEROSOLS**

[75] Inventor: **Rune G. Monö**, Täby, Sweden
[73] Assignee: **Aktiebolaget Draco**, Lund, Sweden
[**] Term: **14 Years**
[21] Appl. No.: **56,687**
[22] Filed: **Jul. 11, 1979**

[30] **Foreign Application Priority Data**

Feb. 16, 1979 [SE] Sweden 409

[51] Int. Cl. **D24-04**

[52] U.S. Cl. **D24/62; 239/338; 222/394**

[58] **Field of Search** **D24/62; 239/338, 449, 239/288, 288.3, 288.5; 222/394; 128/200.23, 207.14**

[56] **References Cited**

U.S. PATENT DOCUMENTS

- D. 220,805 5/1971 Rydeu D24/99
- 2,605,089 7/1952 Dautrebaude 239/338
- 3,062,211 11/1962 Walden et al. 128/200.23
- 3,069,097 12/1962 Cheney 239/338

- 3,187,748 6/1965 Mitchell et al. 128/200.23
- 3,236,458 2/1966 Ramis 239/338
- 3,306,252 2/1967 Knight et al. 128/200.23

FOREIGN PATENT DOCUMENTS

- 9667 4/1980 European Pat. Off. 128/200.23
- 772657 12/1977 Sweden .

Primary Examiner—Veronica O’Keefe
Attorney, Agent, or Firm—Brumbaugh, Graves, Donohue & Raymond

[57] **CLAIM**

The ornamental design for an inhalation chamber for medical aerosols, as shown.

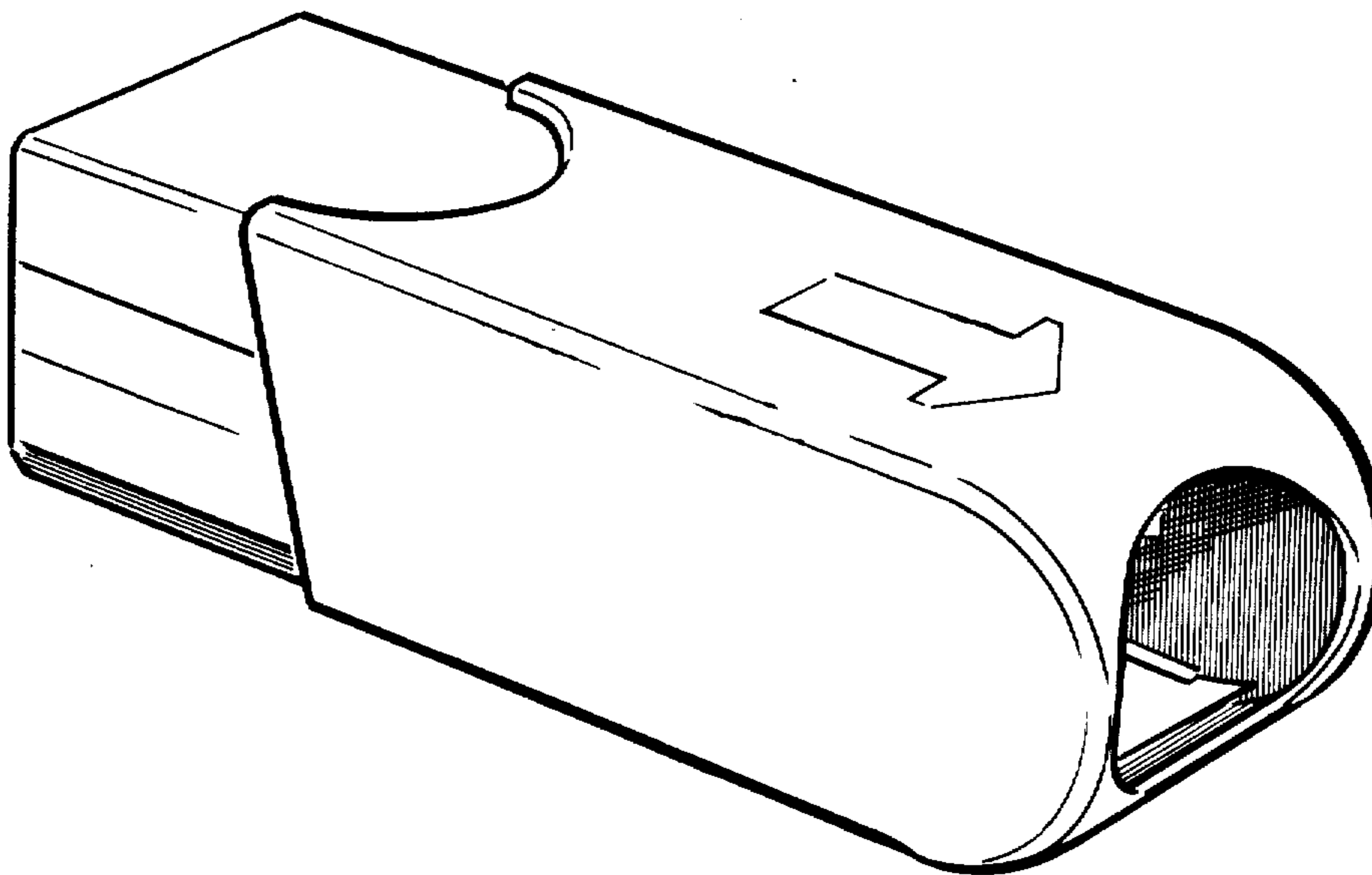
DESCRIPTION

FIG. 1 is a front perspective view from above the inhalation chamber for medical aerosols as pulled out into an operating condition;

FIG. 2 is a rear perspective view from below the inhalation chamber for medical aerosols shown in FIG. 1;

FIG. 3 is a front perspective view from above the inhalation chamber for medical aerosols as pushed together into a closed, storage condition;

FIG. 4 is a rear perspective view from below the inhalation chamber for medical aerosols shown in FIG. 3.



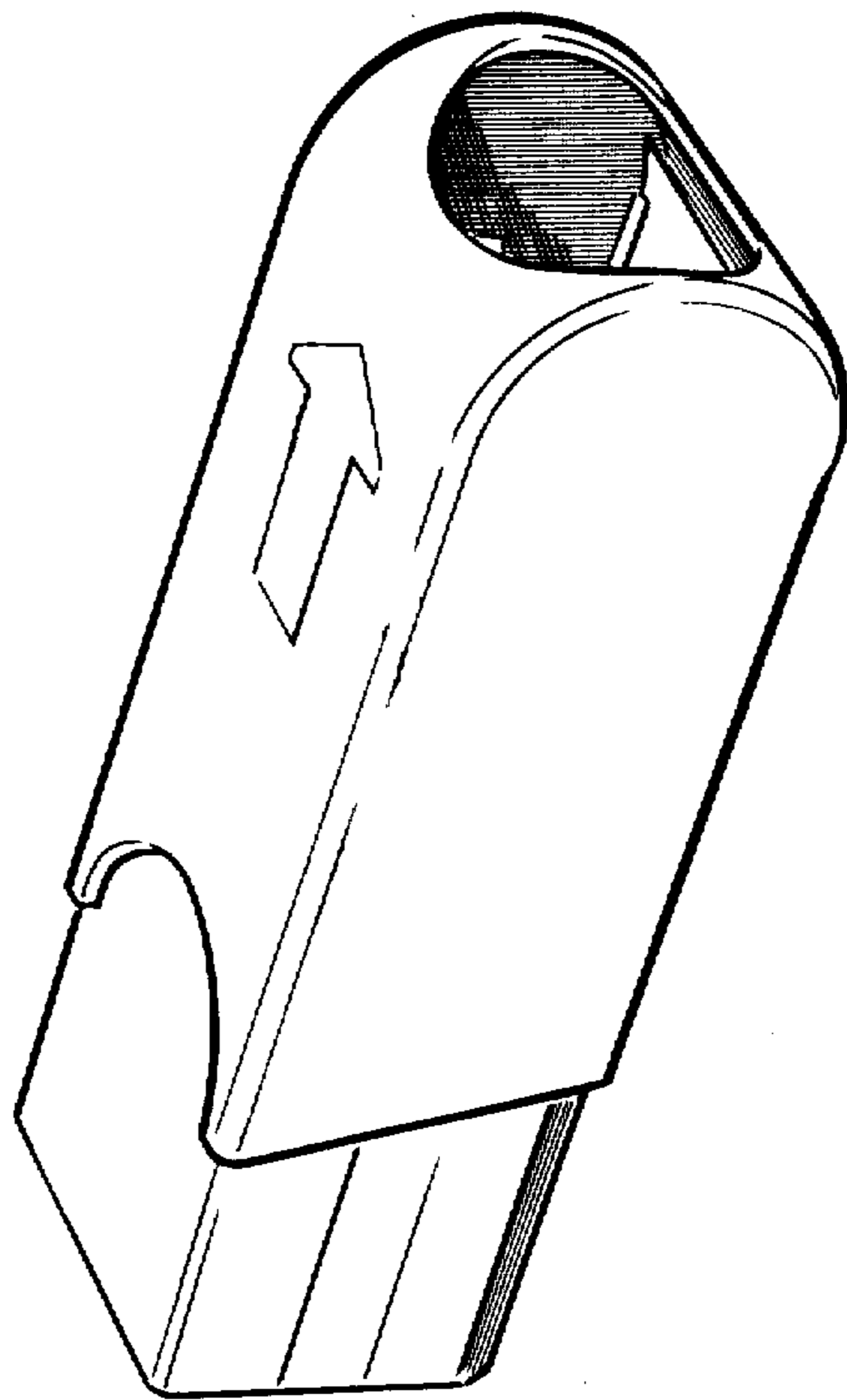


Fig.1

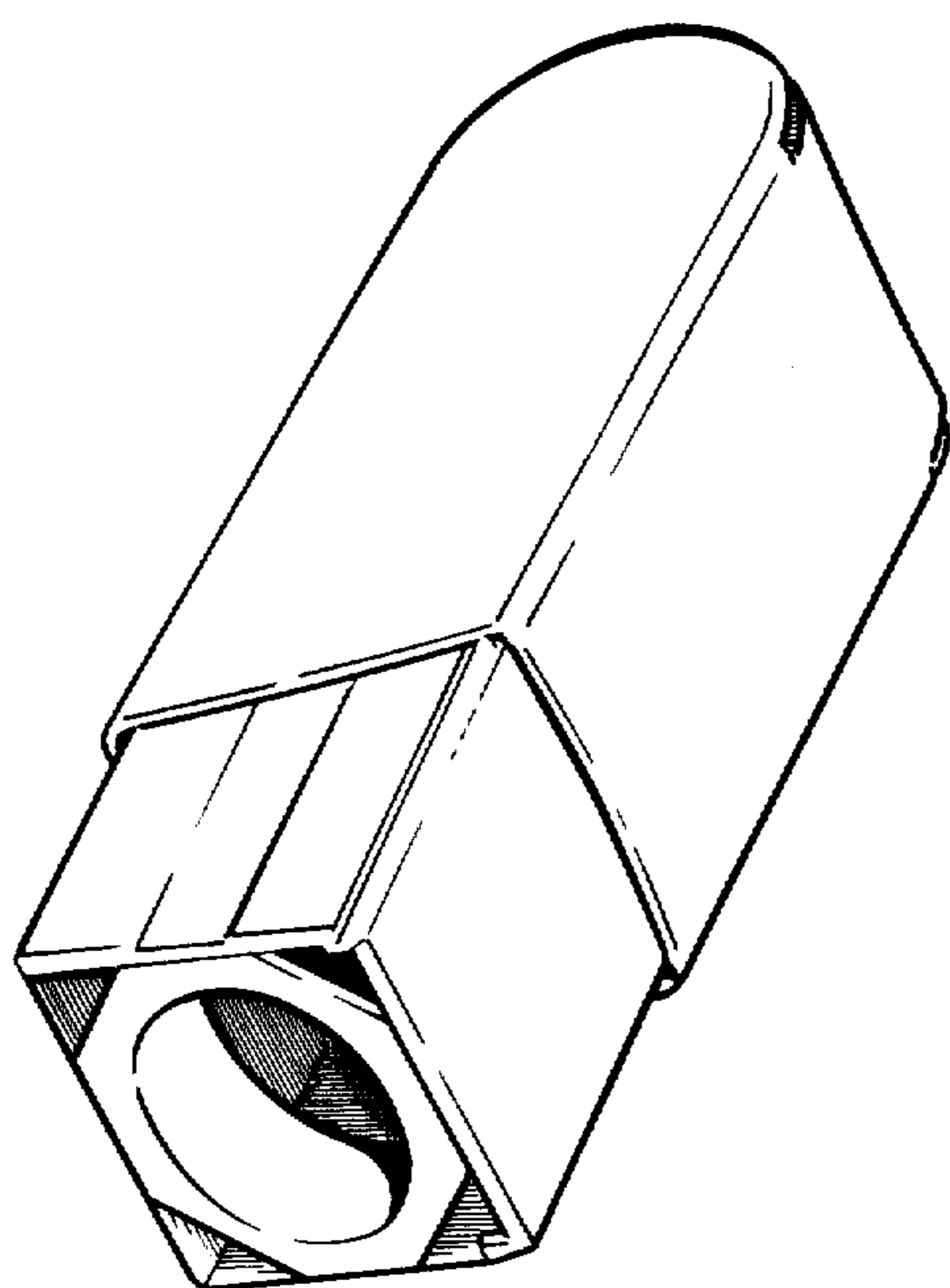


Fig.2

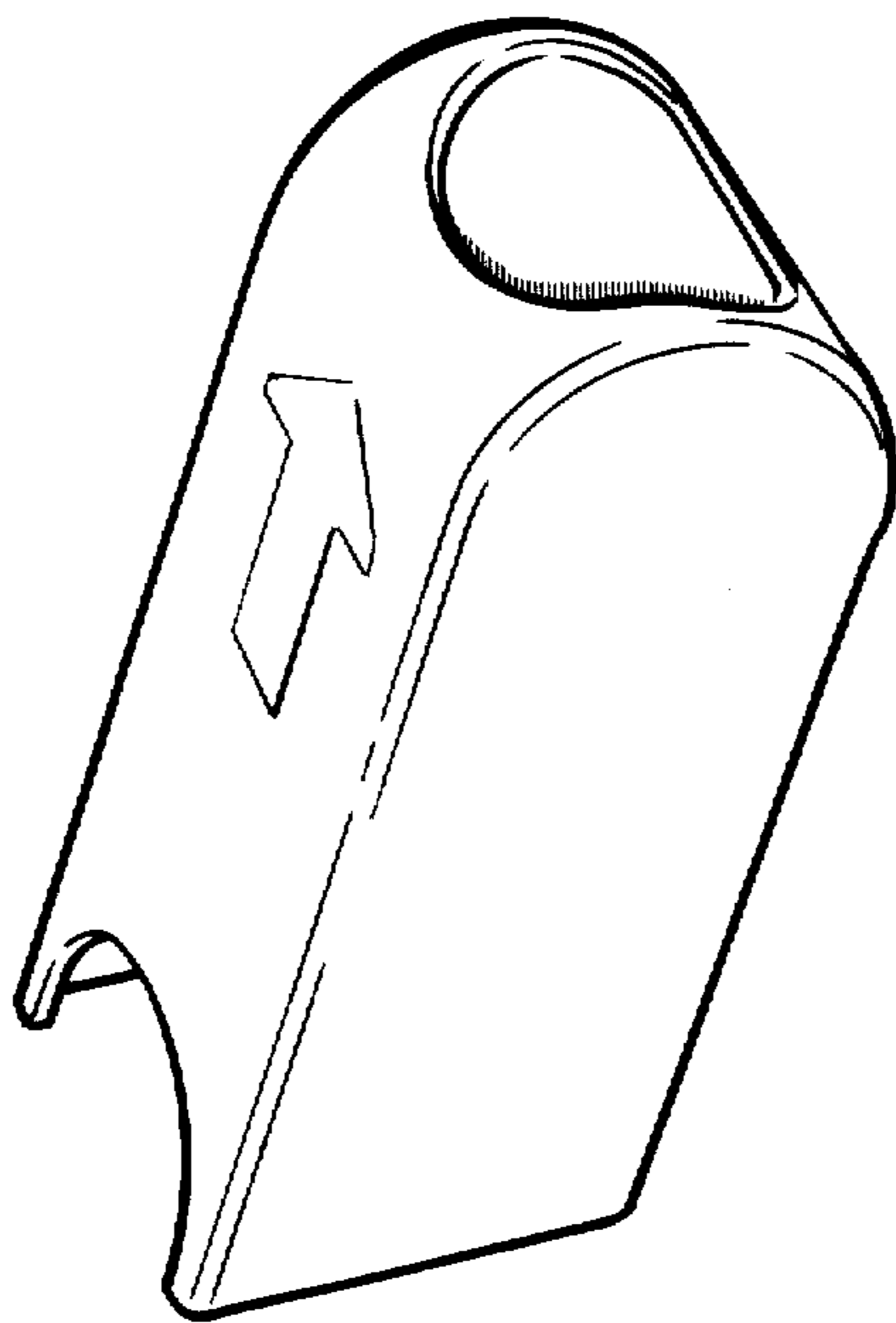


Fig.3

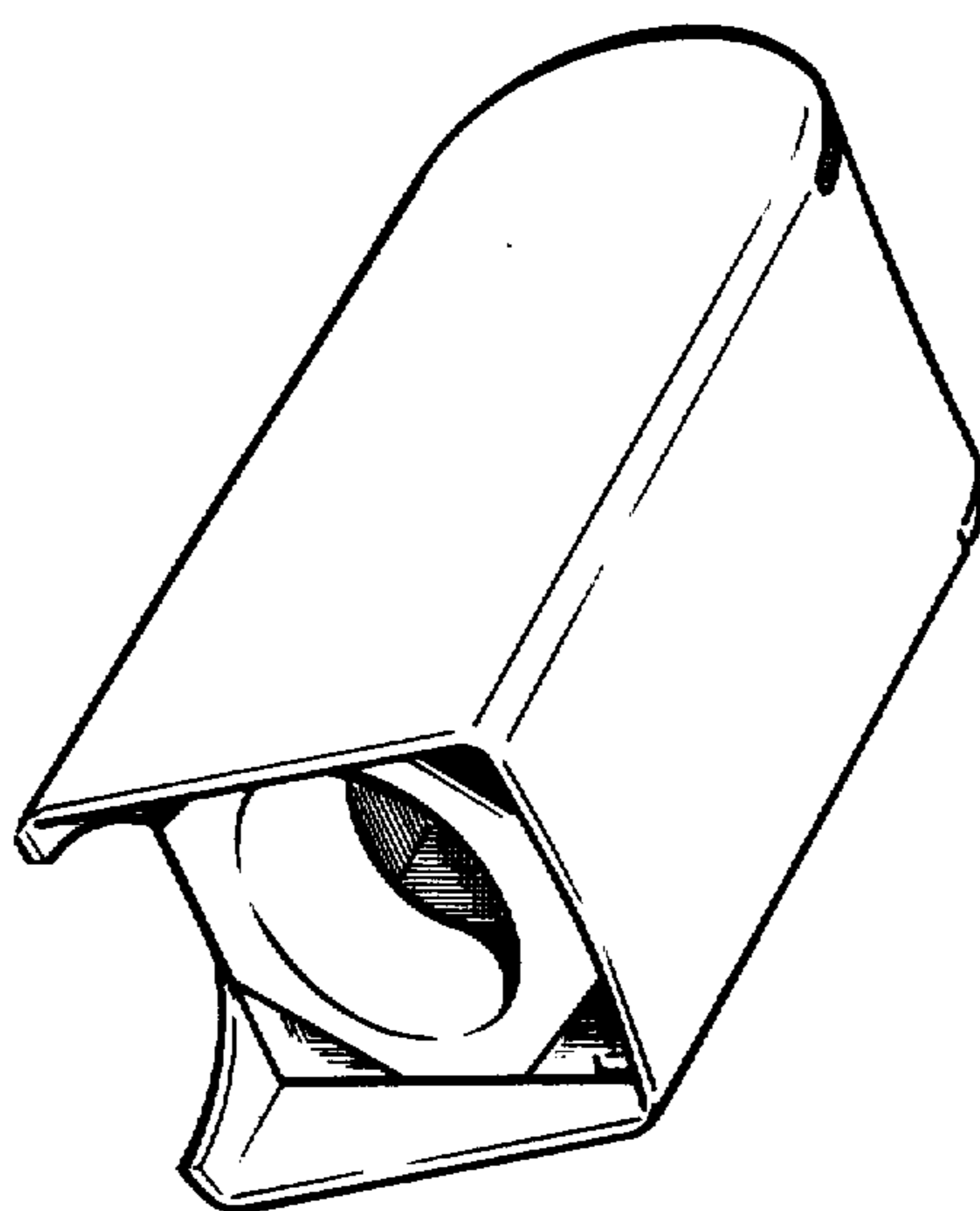


Fig.4