

[54] EXTERNAL CARDIAC PACEMAKER

[75] Inventor: David B. Smith, Mercer Island, Wash.

[73] Assignee: Cynergy, Inc., Bellevue, Wash.

[**] Term: 14 Years

[21] Appl. No.: 60,900

[22] Filed: Jul. 26, 1979

[51] Int. Cl. D24-02

[52] U.S. Cl. D24/17; D24/8; D10/46

[58] Field of Search 128/419 P, 419 PG, 706; D24/99, 8, 21, 41; 272/DIG. 6; D10/46, 75

[56] References Cited

U.S. PATENT DOCUMENTS

- D. 254,569 3/1980 Moffat et al. D24/17
- 3,473,526 10/1964 Herman et al. 128/620
- 3,926,198 12/1975 Kolenik 128/419 P
- 3,938,507 2/1976 Sarnoff et al. 128/706 X

OTHER PUBLICATIONS

Cordis External Pacing System, ©1973, p. 1, Cardiac Pacemaker, Chronocor III.

Primary Examiner—Bernard Ansher
Attorney, Agent, or Firm—Christensen, O'Connor, Johnson & Kindness

[57] CLAIM

The ornamental design for an external cardiac pacemaker, as shown and described.

DESCRIPTION

FIG. 1 is a front perspective view of an external cardiac pacemaker showing my new design, in which the pacemaker controls are located beneath a slidable cover and visible through a transparent portion of the slidable cover;

FIG. 2 is a rear perspective view thereof;

FIG. 3 is a front elevation view thereof;

FIG. 4 is a rear elevation view thereof;

FIG. 5 is a left side elevational view thereof;

FIG. 6 is a bottom plan elevational view thereof;

FIG. 7 is a right side elevational view thereof;

FIG. 8 is a top plan elevational view thereof;

FIG. 9 is a front perspective view thereof, with the slidable cover in a first position to expose the pacemaker controls; and,

FIG. 10 is a front perspective view thereof, with the slidable cover in a second position to expose a battery compartment of the pacemaker.

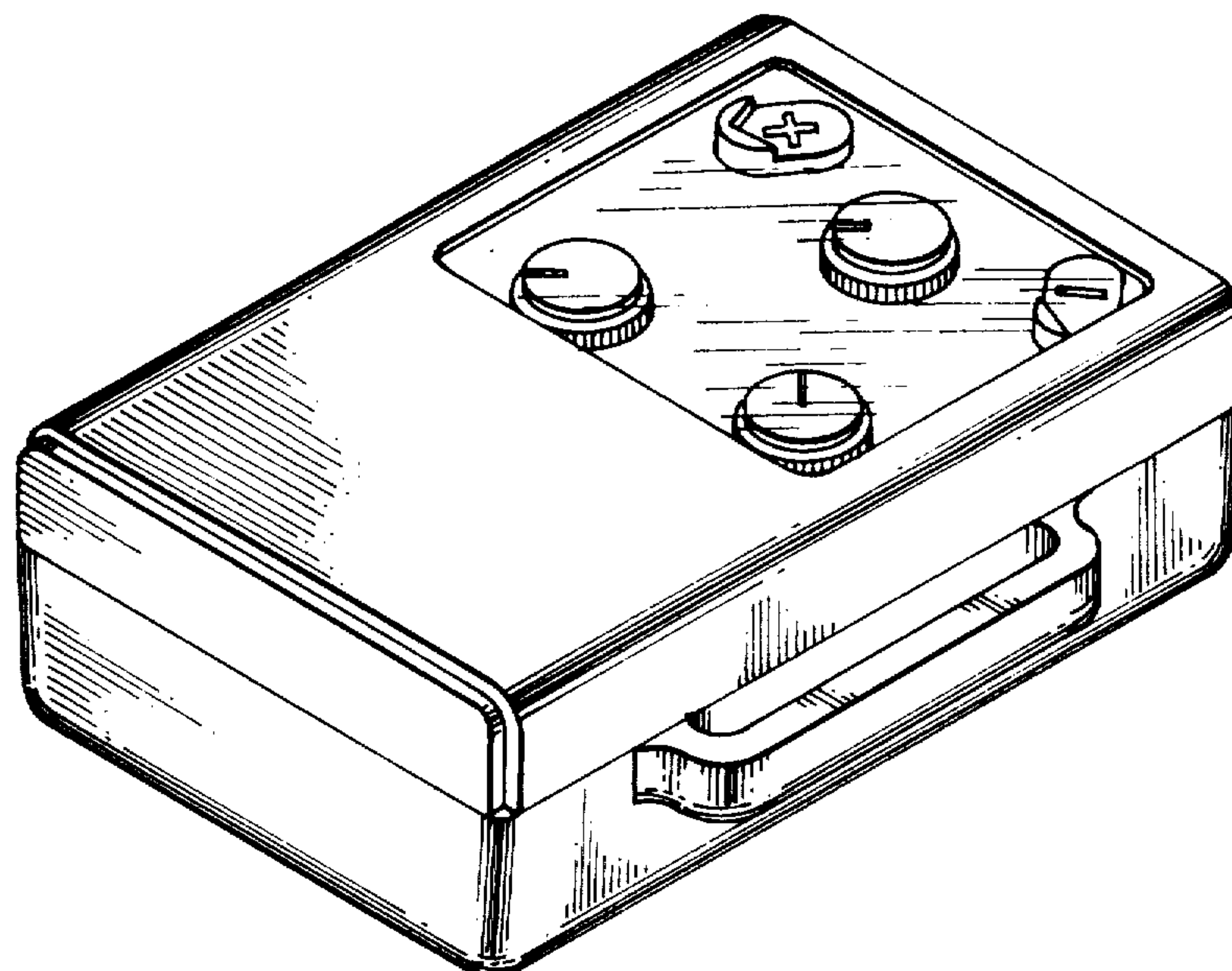


Fig. 1

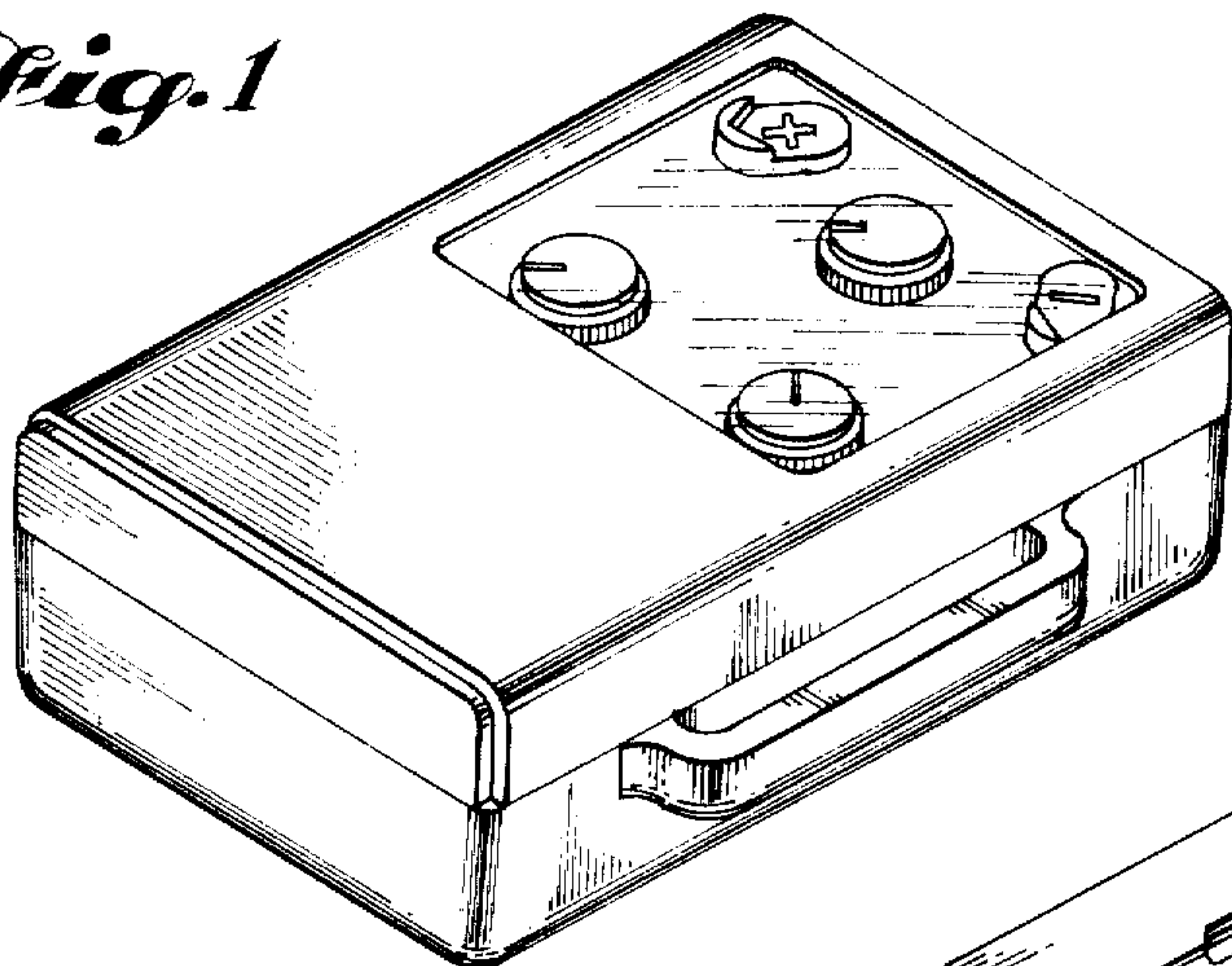


Fig. 2

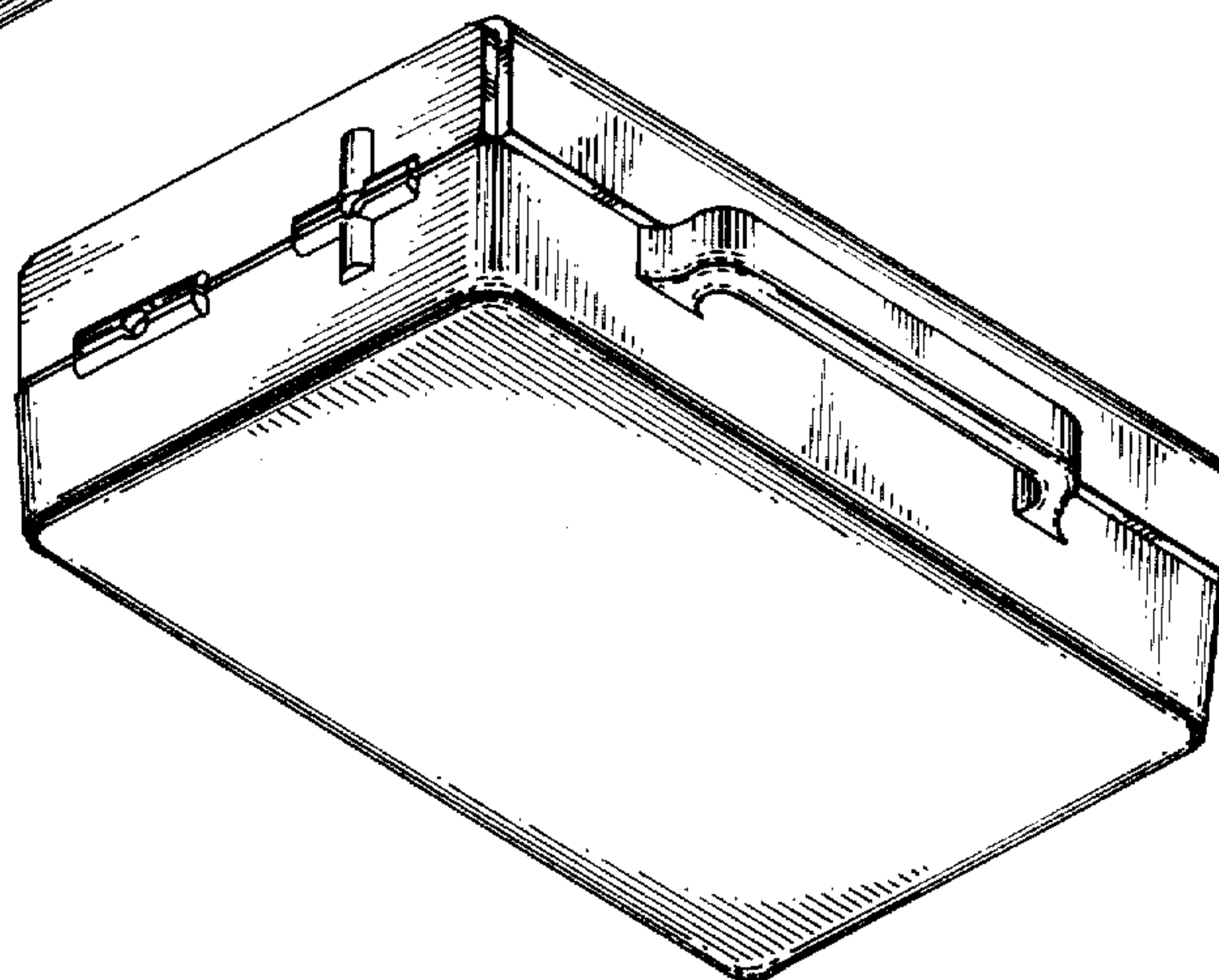


Fig. 3

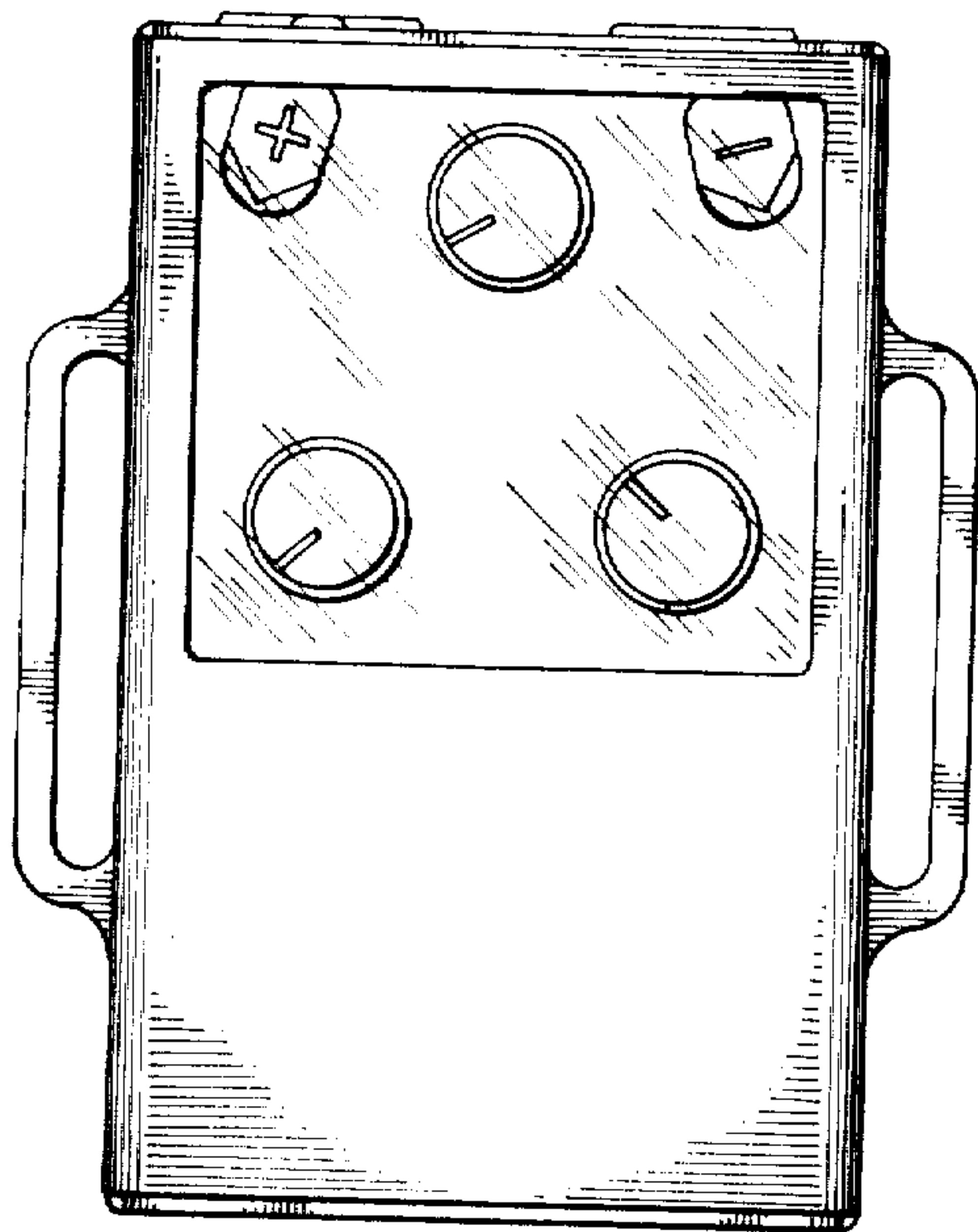
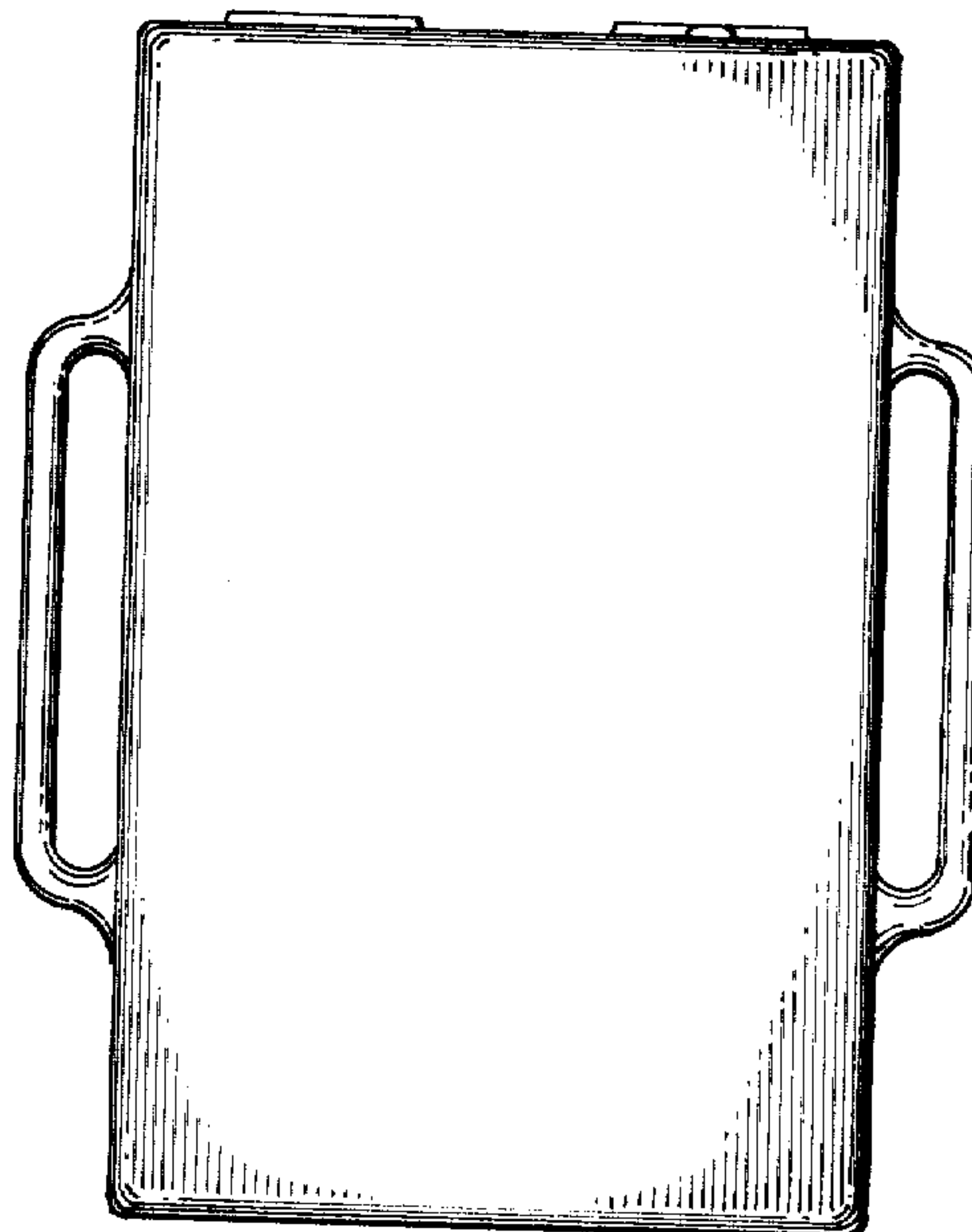


Fig. 4



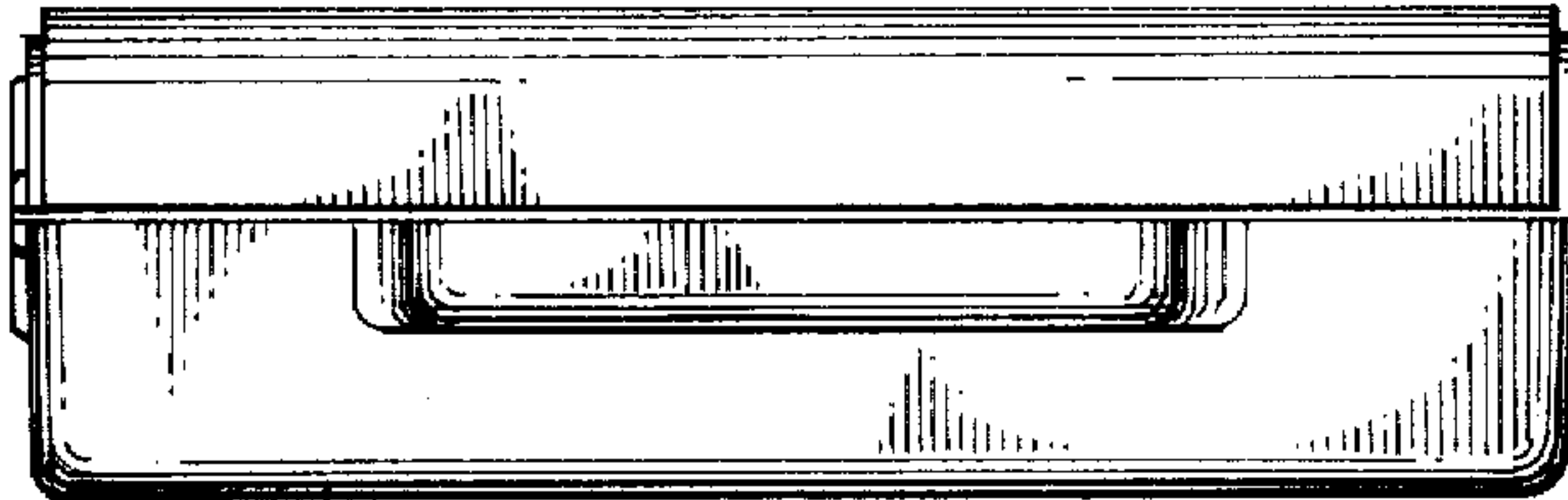


Fig. 5

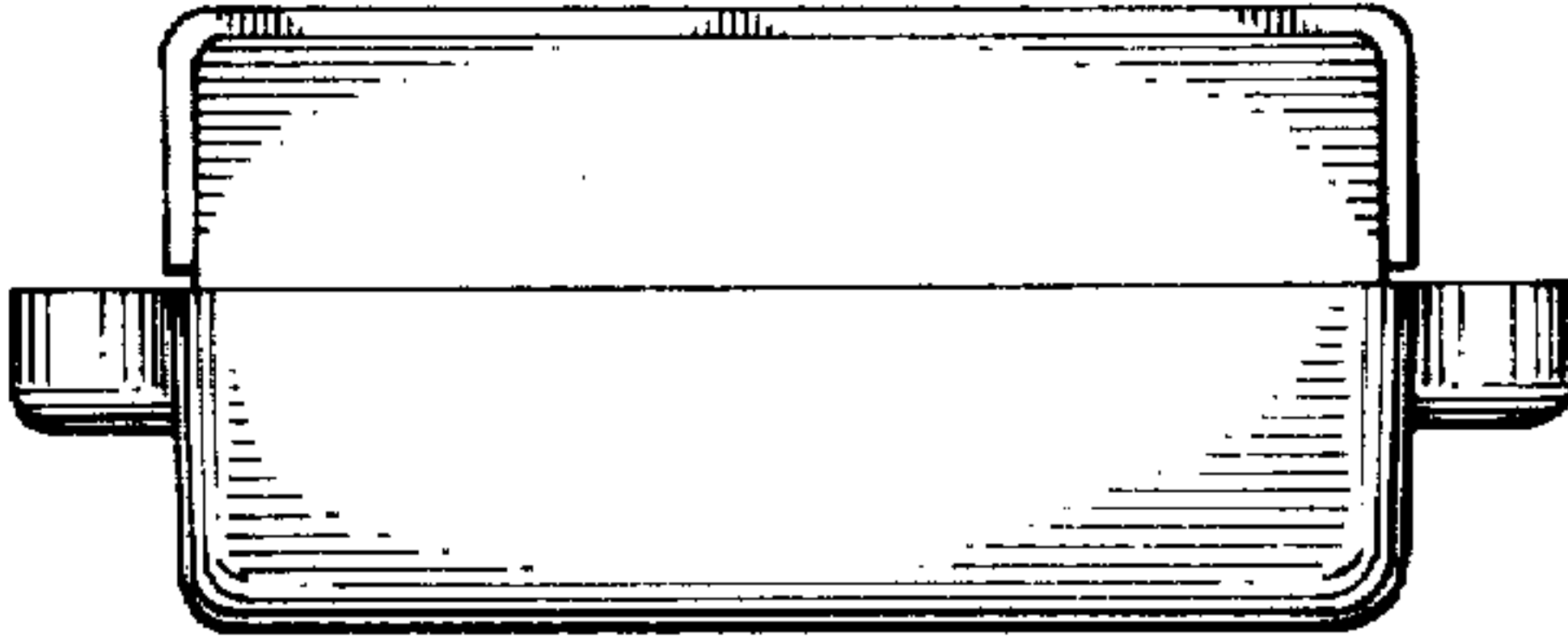


Fig. 6

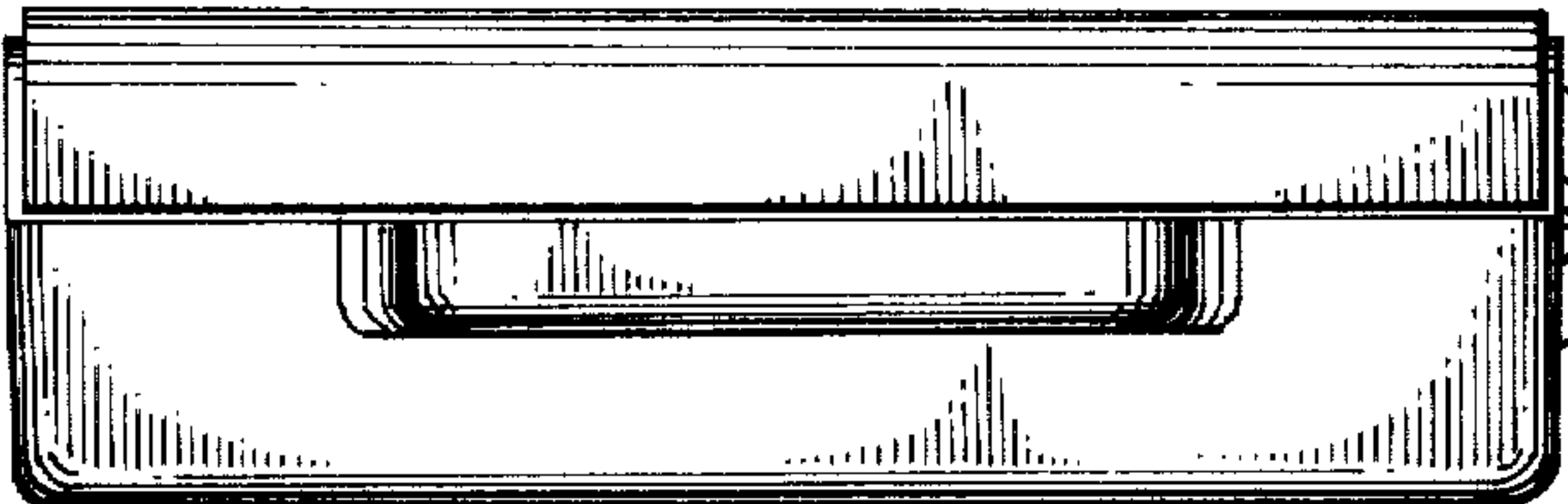


Fig. 7

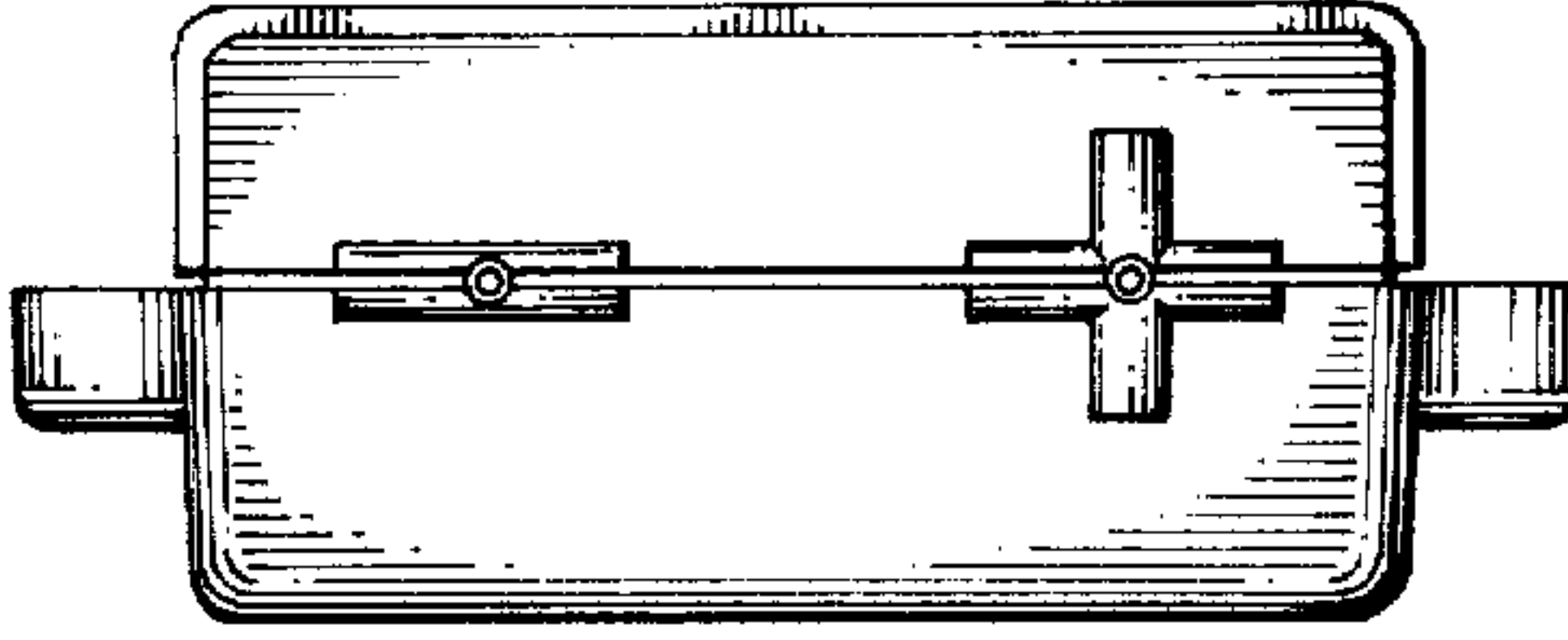


Fig. 8

Fig. 9

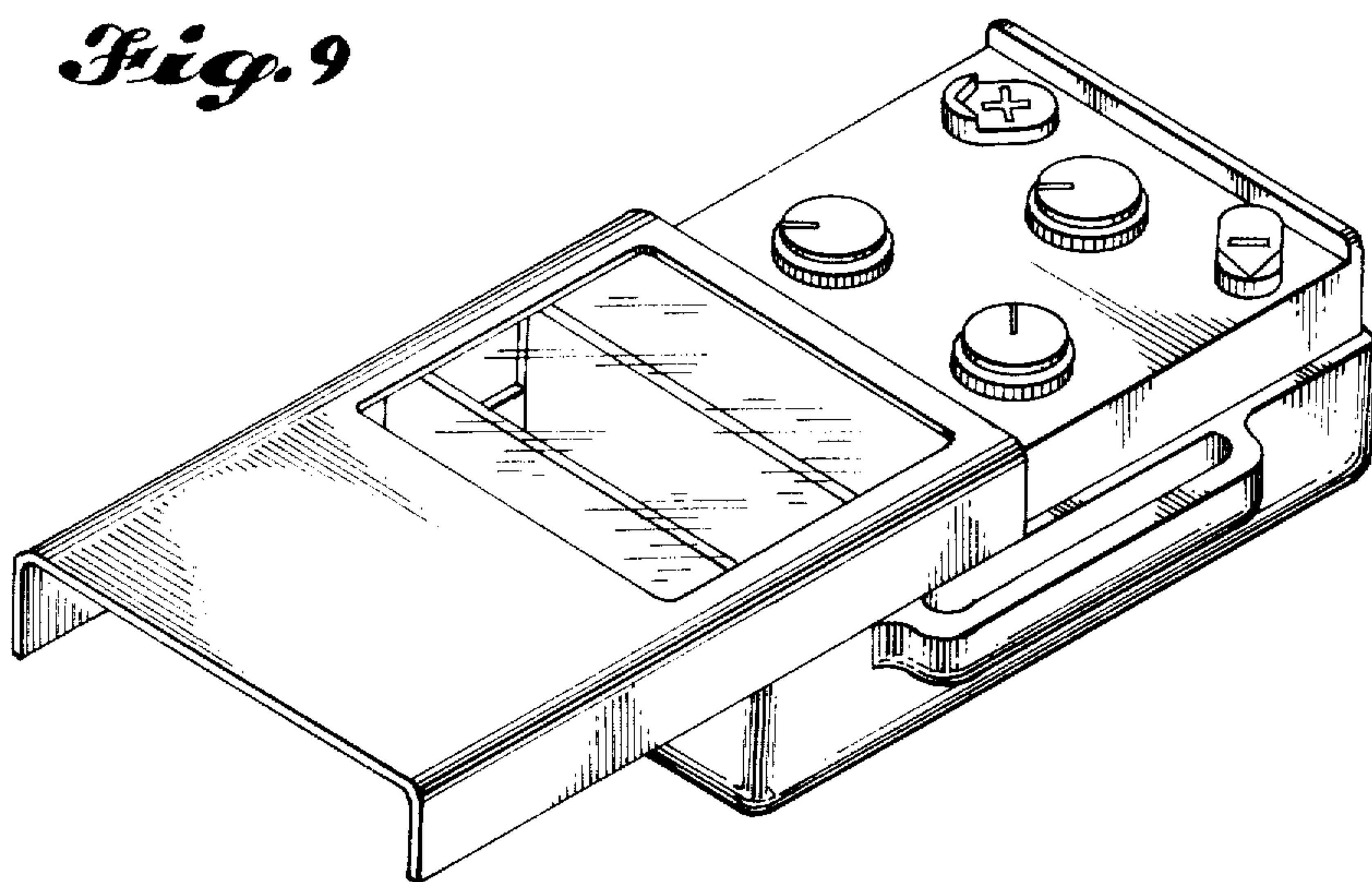


Fig. 10

