

- [54] FAN
- [75] Inventors: **Noel T. Patton; Bennie N. Patton; Frank M. O'Donnell**, all of Fort Wayne, Ind.
- [73] Assignee: **Patton Electric Co., Inc.**, New Haven, Ind.
- [\*\*] Term: **14 Years**
- [21] Appl. No.: **30,102**
- [22] Filed: **Apr. 16, 1979**
- [51] Int. Cl. .... **D23-04**
- [52] U.S. Cl. .... **D23/156**
- [58] Field of Search ..... **D23/155-167; 415/219 R, 121 G; 98/94 R**

*Attorney, Agent, or Firm*—Albert L. Jeffers; John F. Hoffman

[57] **CLAIM**

The ornamental design for a fan, as shown and described.

**DESCRIPTION**

FIG. 1 is a front elevational view of a fan showing our new design;  
 FIG. 2 is a rear elevational view thereof;  
 FIG. 3 is a top plan view thereof;  
 FIG. 4 is left side elevational view thereof;  
 FIG. 5 is a right side elevational view thereof;  
 FIG. 6 is a bottom plan view thereof;  
 FIG. 7 is a perspective view thereof;  
 FIG. 8 is a front elevational view of a modified form of the fan shown in FIG. 1;  
 FIG. 9 is a rear elevational view of FIG. 8;  
 FIG. 10 is a top plan view of FIG. 8;  
 FIG. 11 is a left side elevational view of FIG. 8;  
 FIG. 12 is a right side elevational view of FIG. 8;  
 FIG. 13 is a bottom plan view of FIG. 8;  
 FIG. 14 is a front elevational view of a second modified form of the fan shown in FIG. 1;  
 FIG. 15 is a rear elevational view of FIG. 14;  
 FIG. 16 is a top plan view of FIG. 14;  
 FIG. 17 is a left side elevational view of FIG. 14;  
 FIG. 18 is a right side elevational view of FIG. 14;  
 FIG. 19 is a bottom plan view of FIG. 14;  
 FIG. 20 is a front elevational view of a third modified form of the fan shown in FIG. 1;  
 FIG. 21 is a rear elevational view of FIG. 20;  
 FIG. 22 is a top plan view of FIG. 20;  
 FIG. 23 is a left side elevational view of FIG. 20;  
 FIG. 24 is a right side elevational view of FIG. 20; and  
 FIG. 25 is a bottom plan view of FIG. 20.

- [56] **References Cited**
- U.S. PATENT DOCUMENTS**
- D. 163,049 4/1951 Kislung ..... D23/156
- D. 167,093 6/1952 Moore ..... D23/156
- D. 240,231 6/1976 Patton ..... D23/156
- 2,733,002 1/1956 Huck ..... 98/94 X
- 2,857,095 10/1958 Suarez Grau ..... 98/94 X
- 4,222,318 9/1980 Patton et al. .... 98/94
- OTHER PUBLICATIONS**
- Television Retailing, Jan. 1953, pp. 5-7, "Fresh'-nd-Airo, 1953, Special" item.
- Housewares Review, May 1956, p. 22, top right Fan.
- Electrical Merchandising, May 1961, p. 151, top center Fan.
- Primary Examiner*—James R. Largen

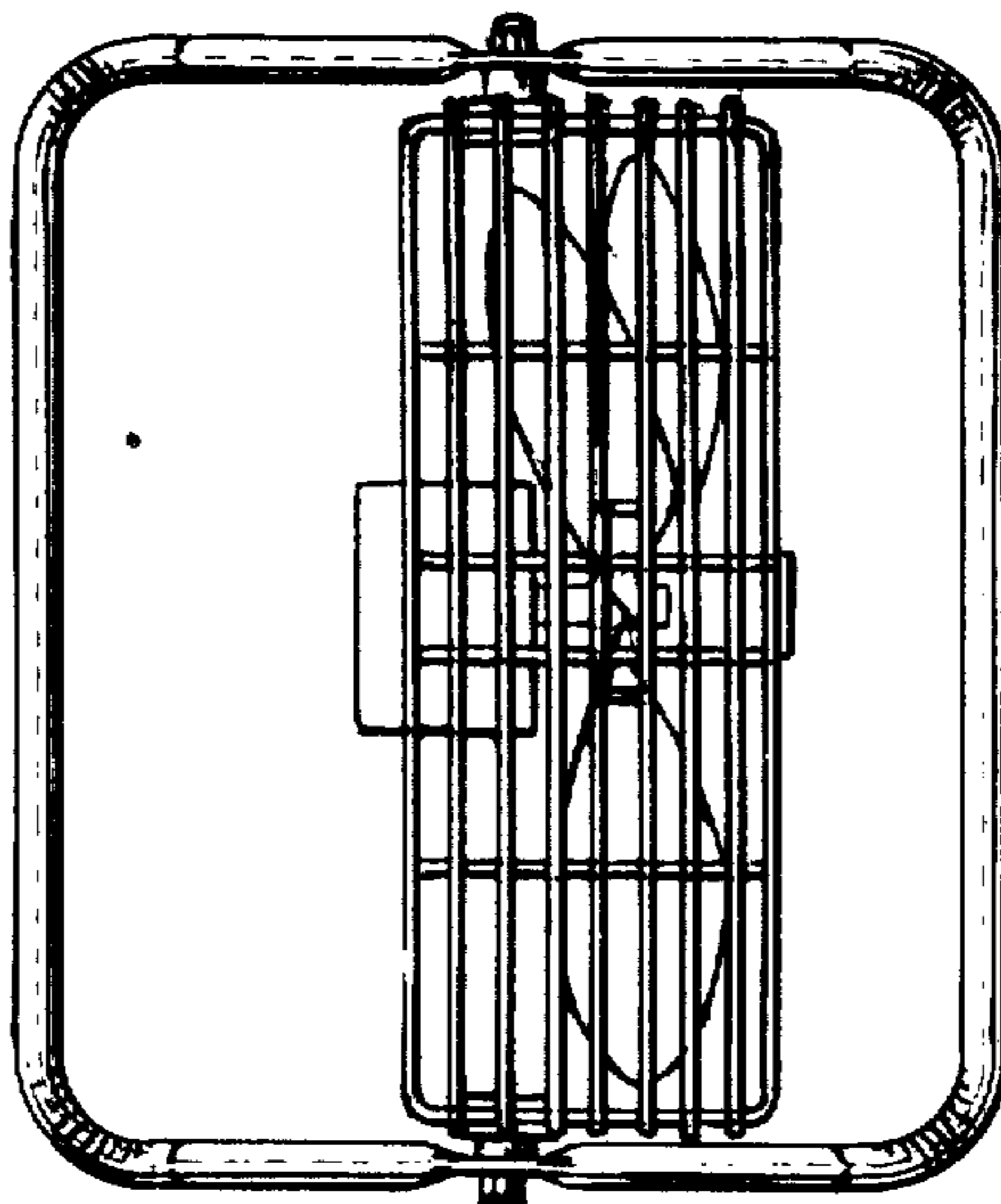


FIG. 1

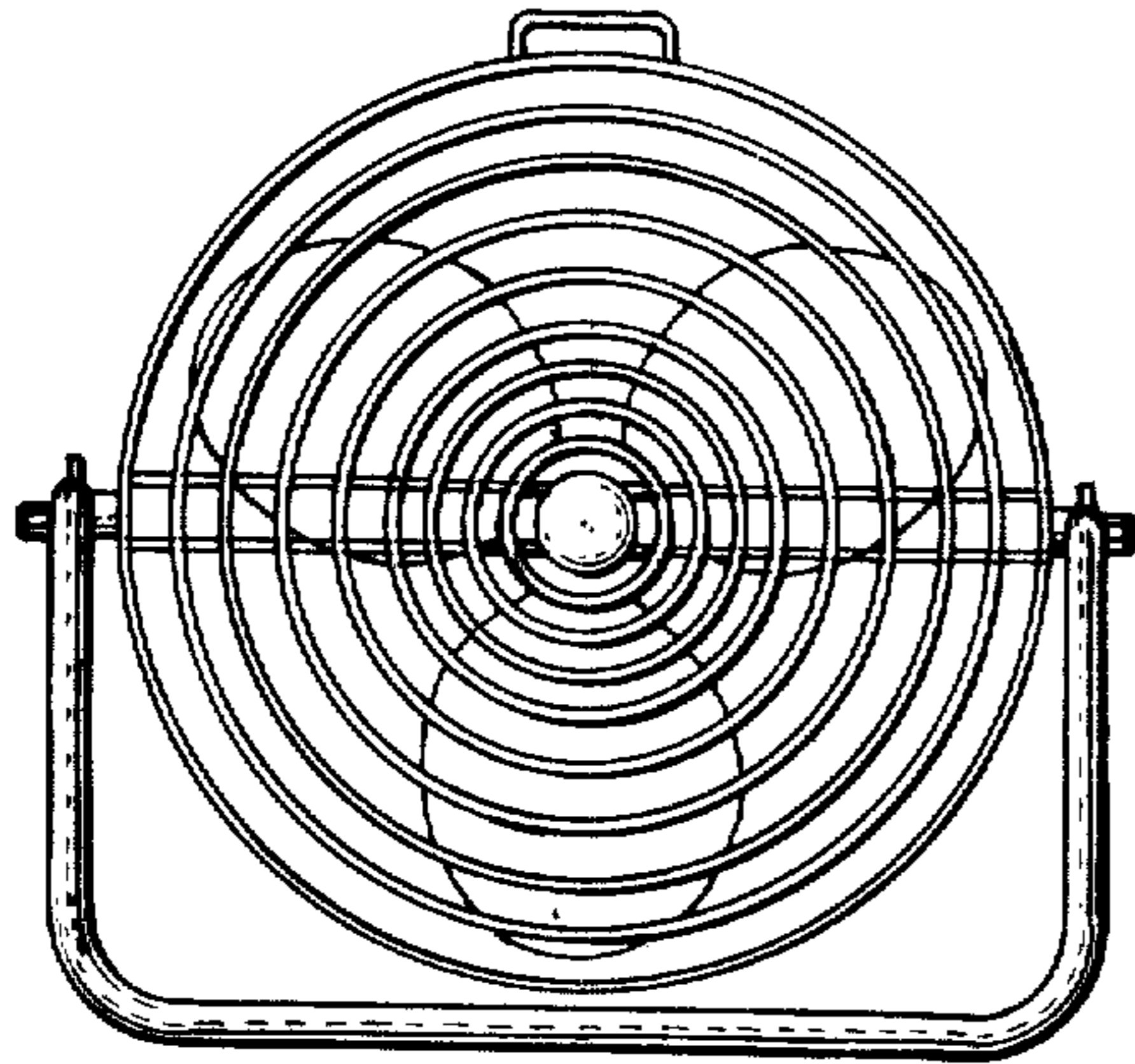


FIG. 3

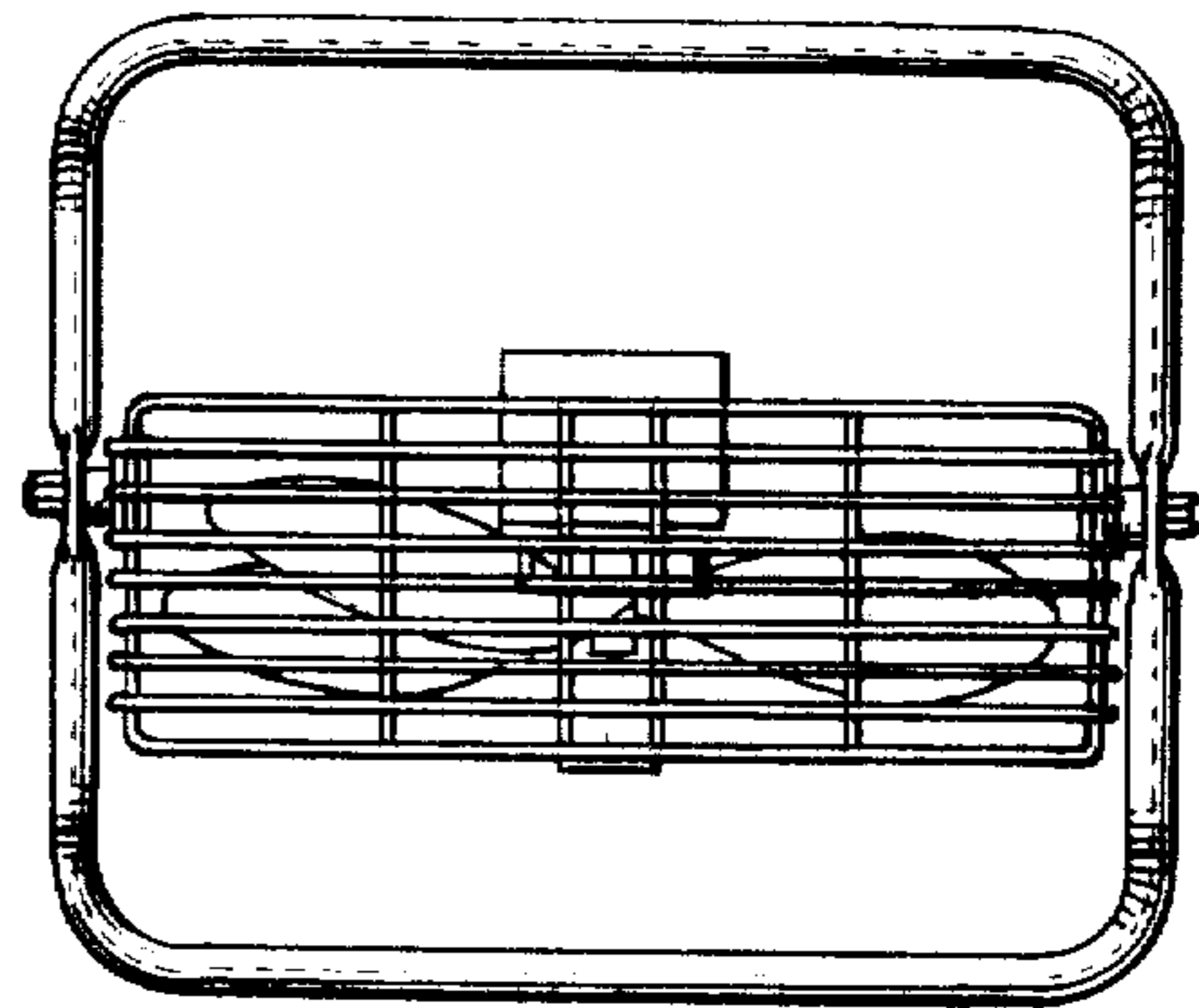


FIG. 4

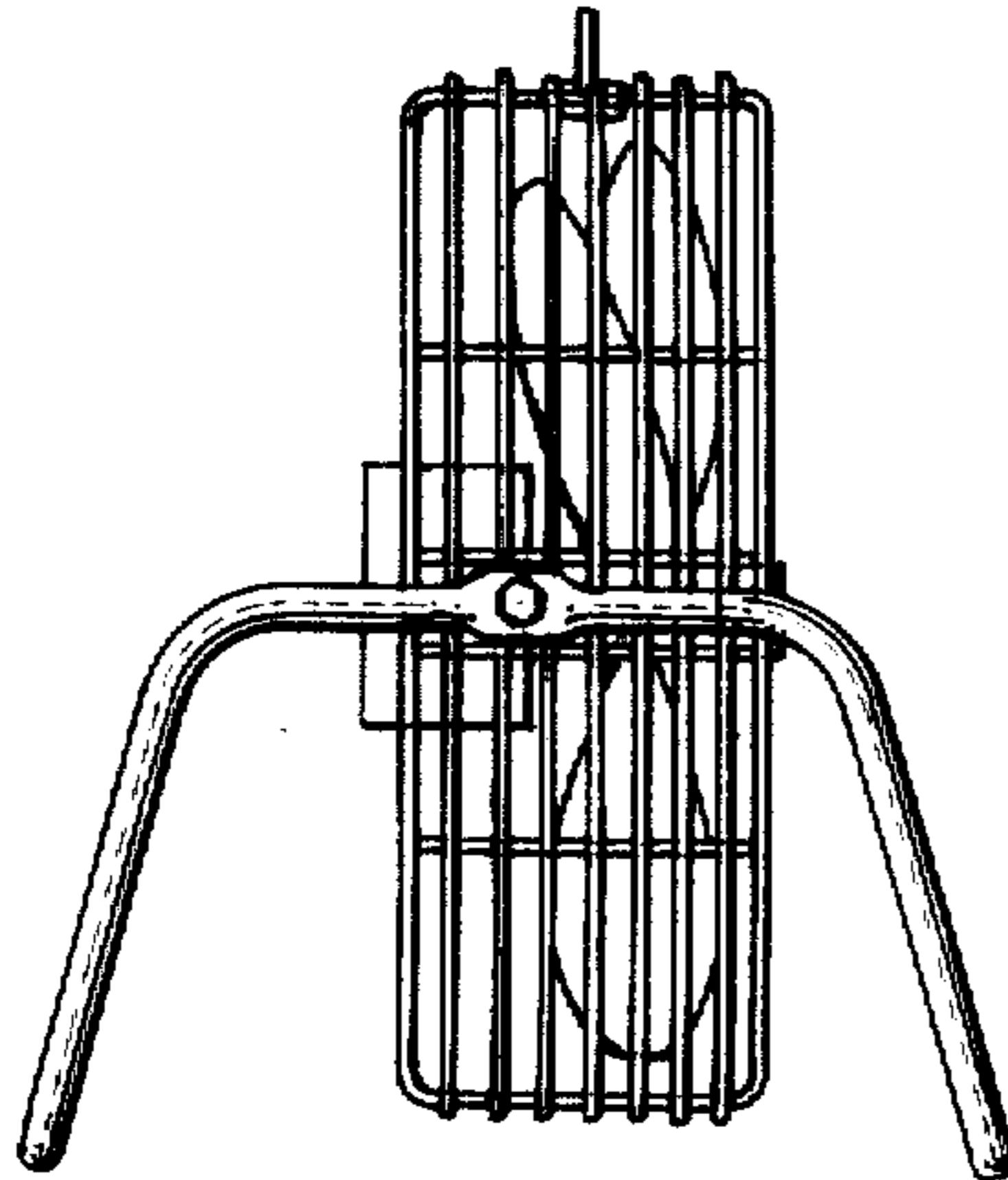


FIG. 5

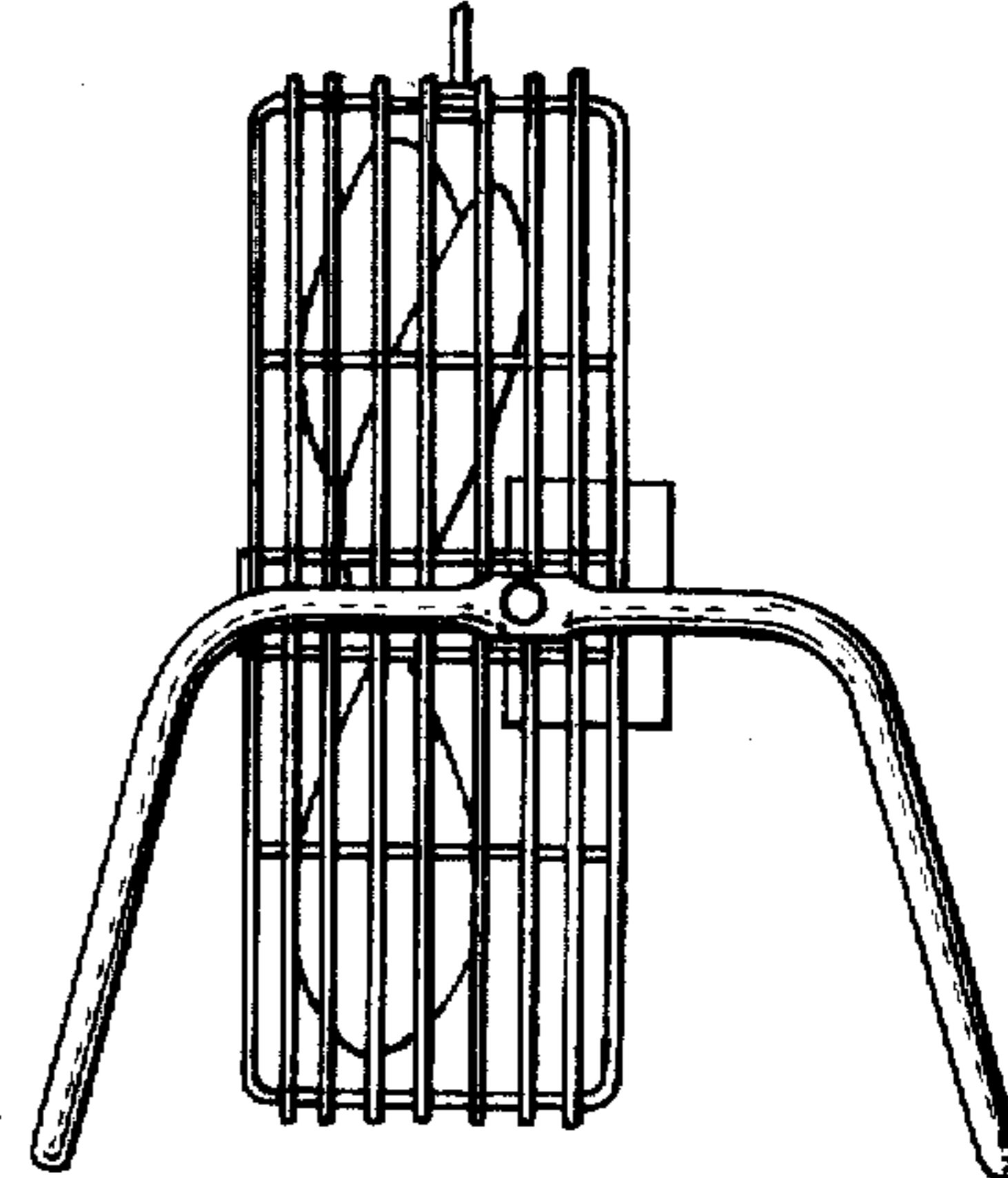


FIG. 6

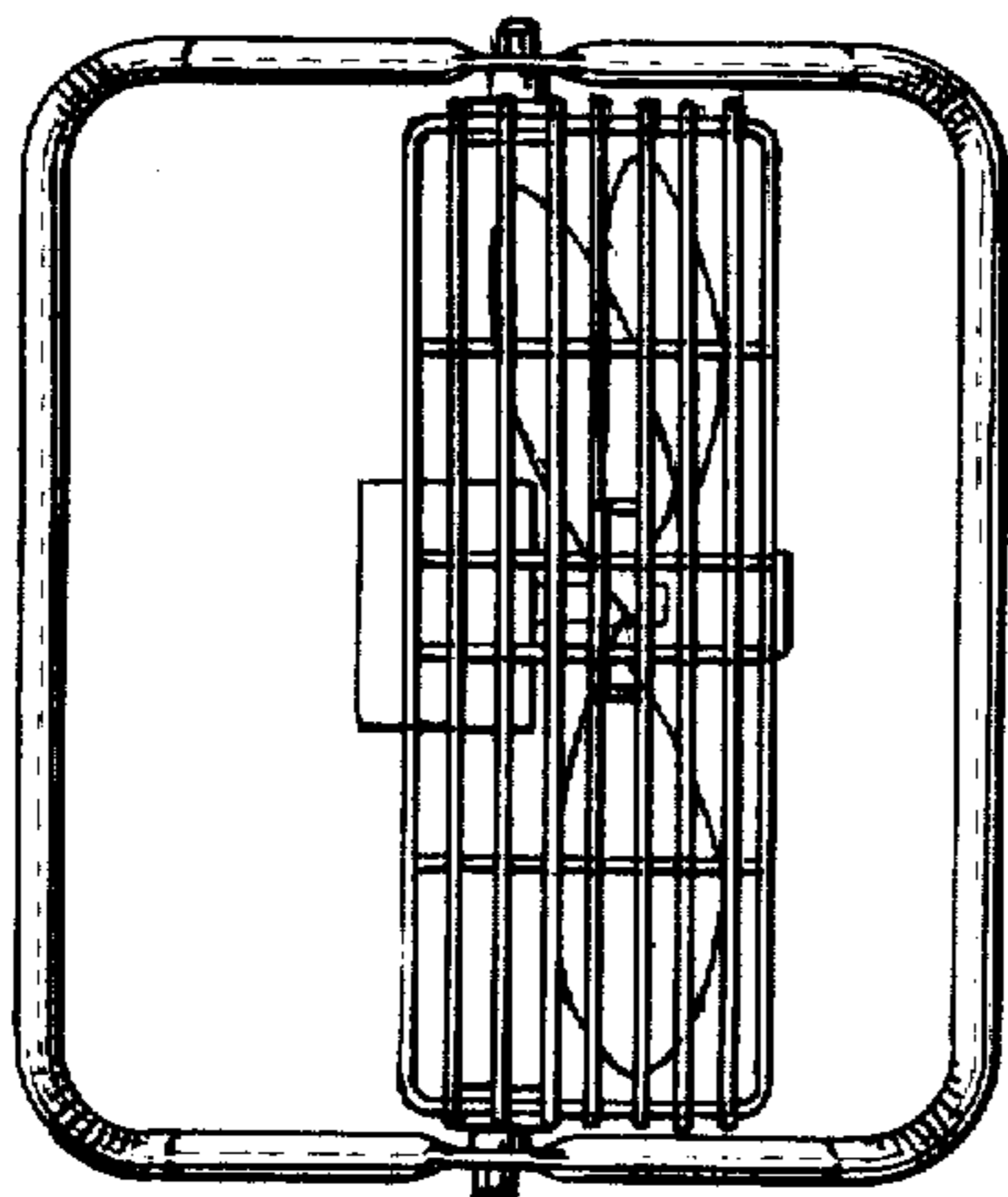


FIG. 7

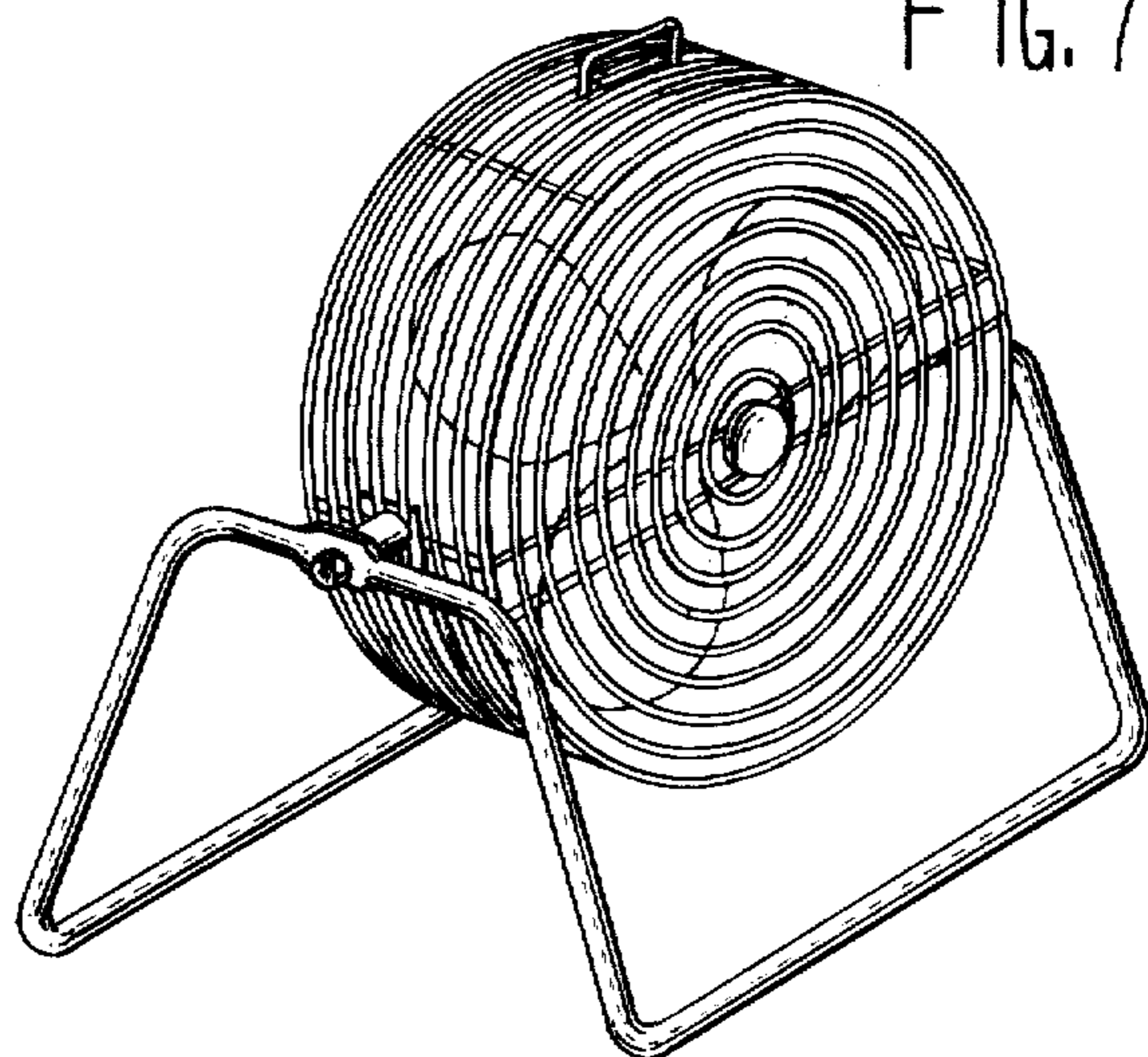




FIG. 2

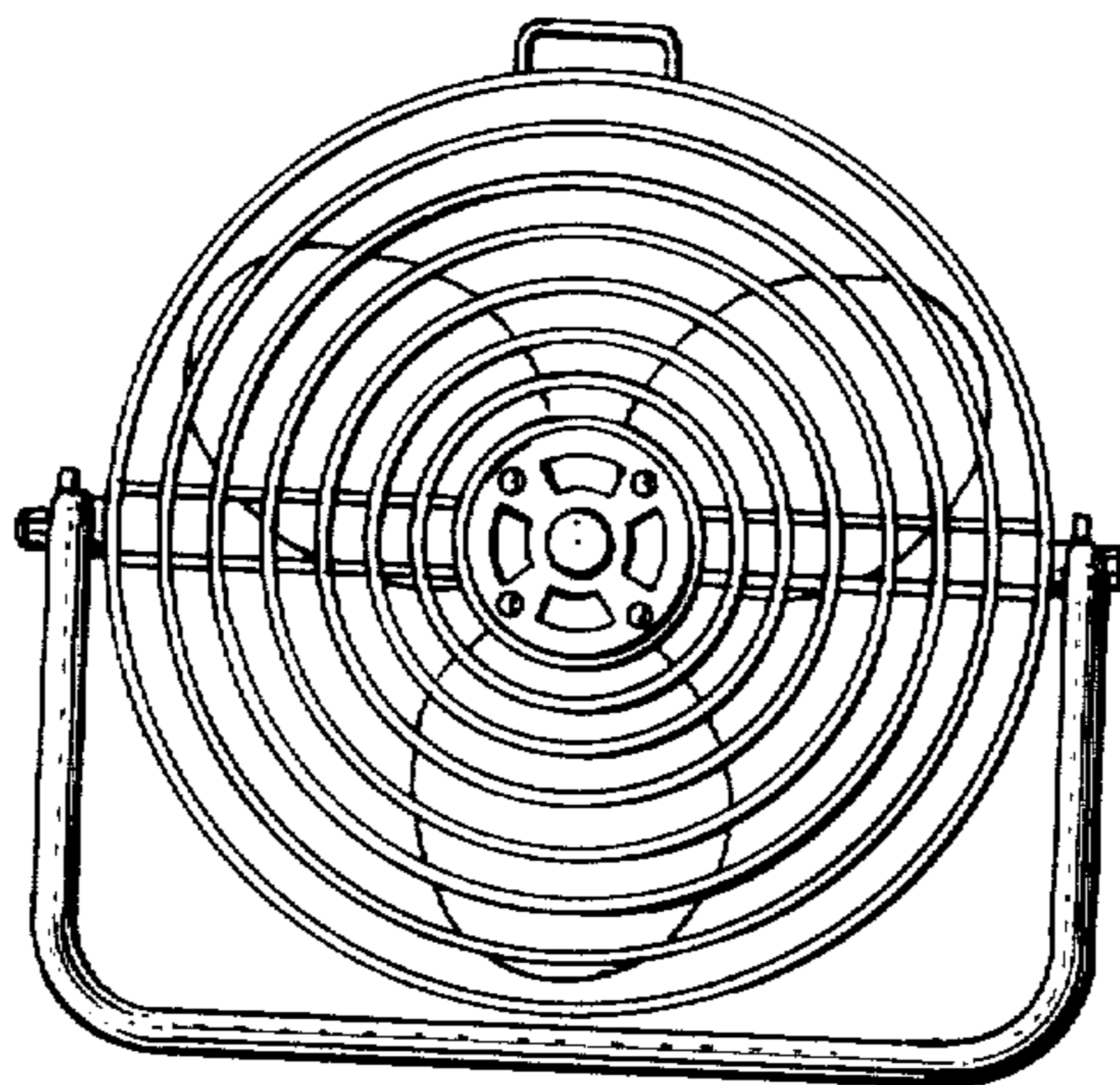


FIG. 9

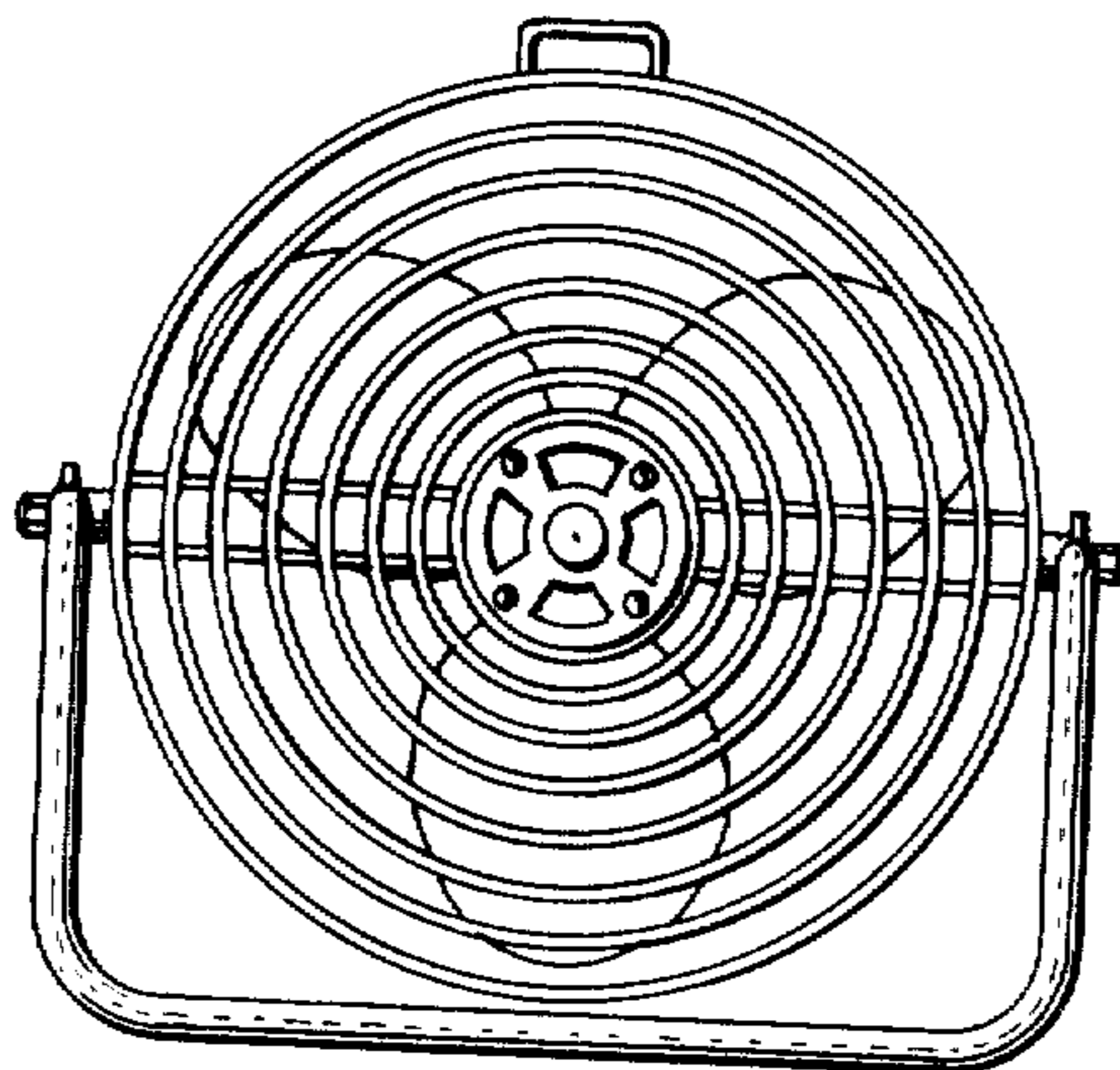


FIG. 15

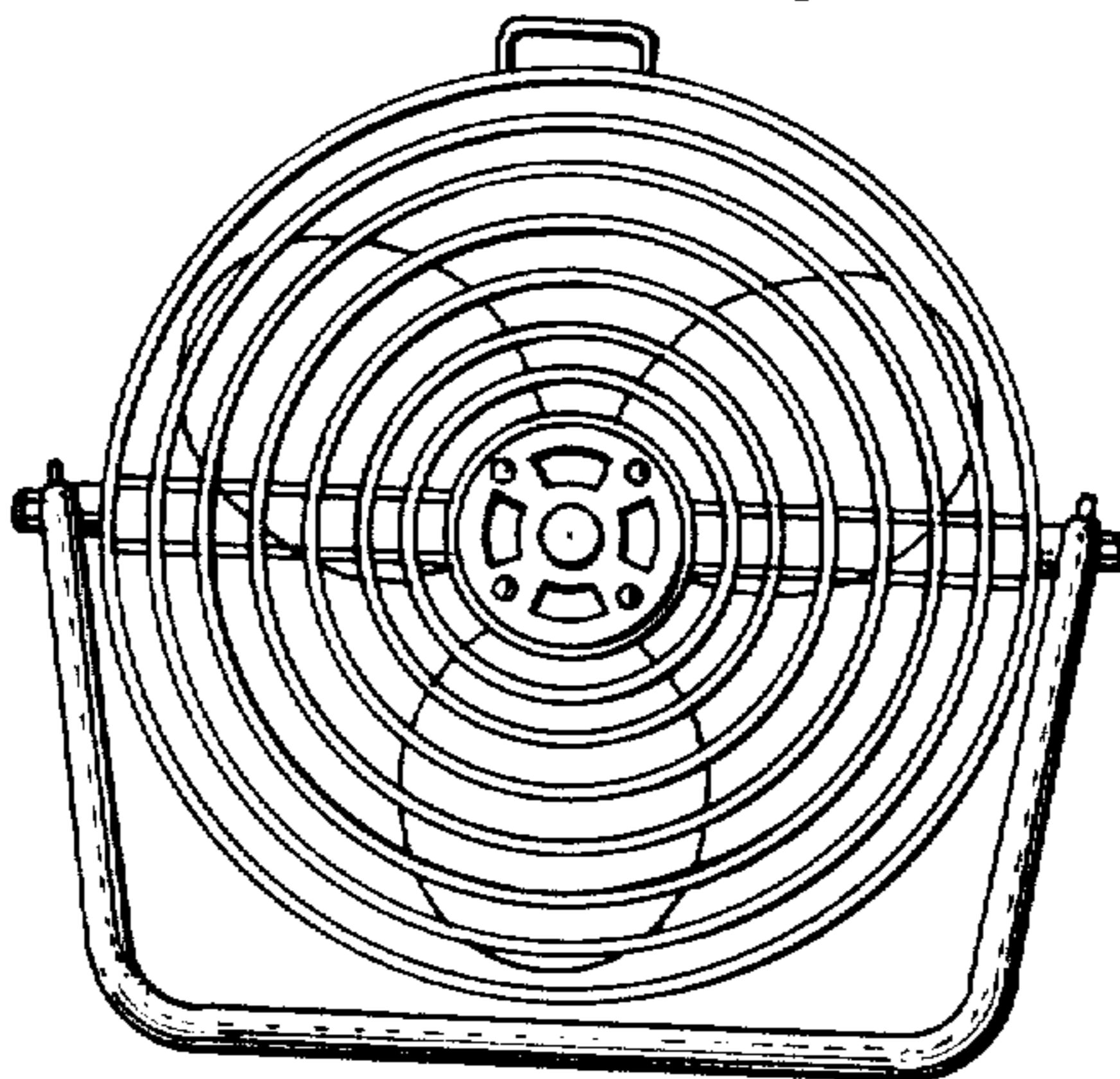


FIG. 8

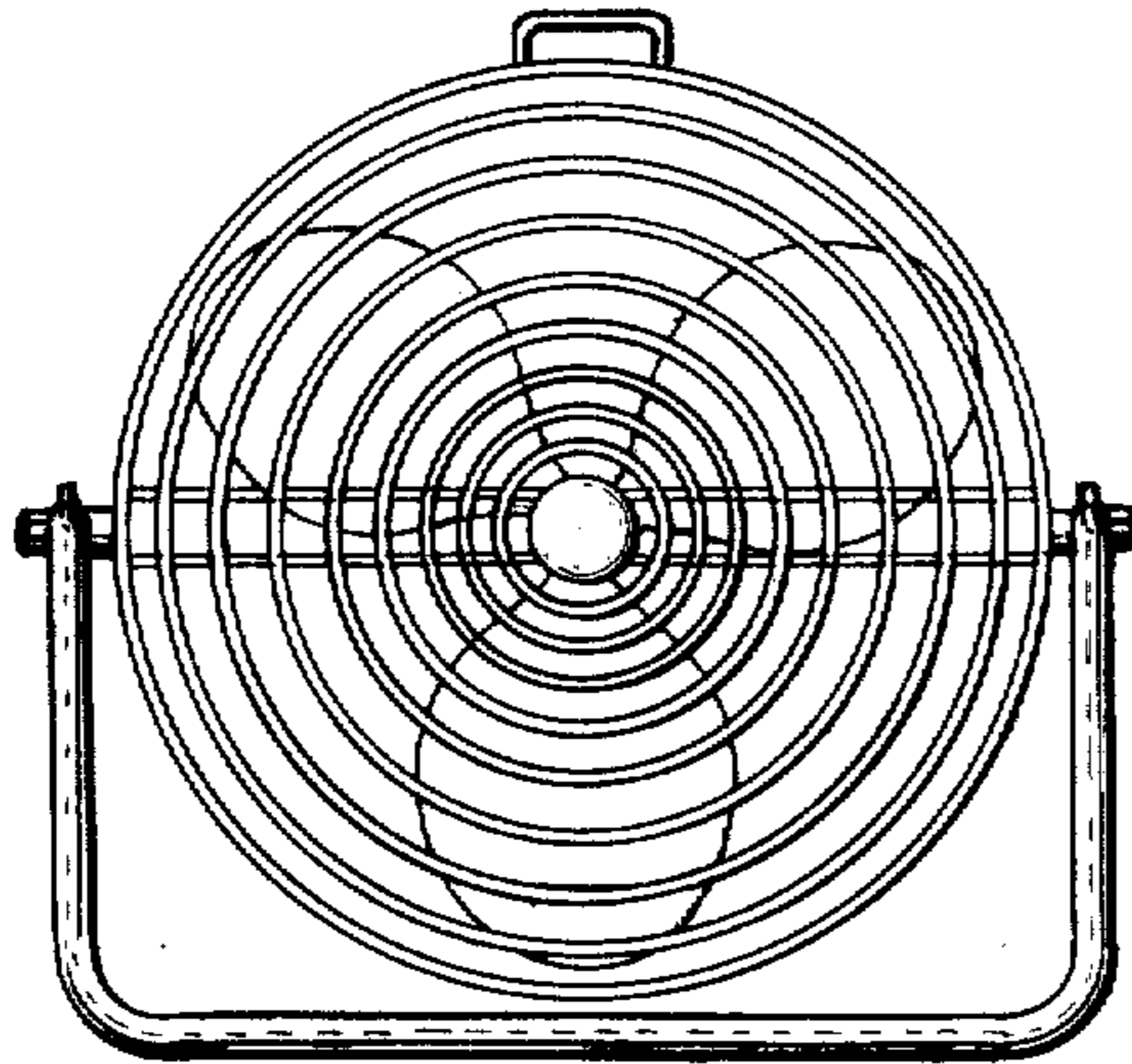


FIG. 10

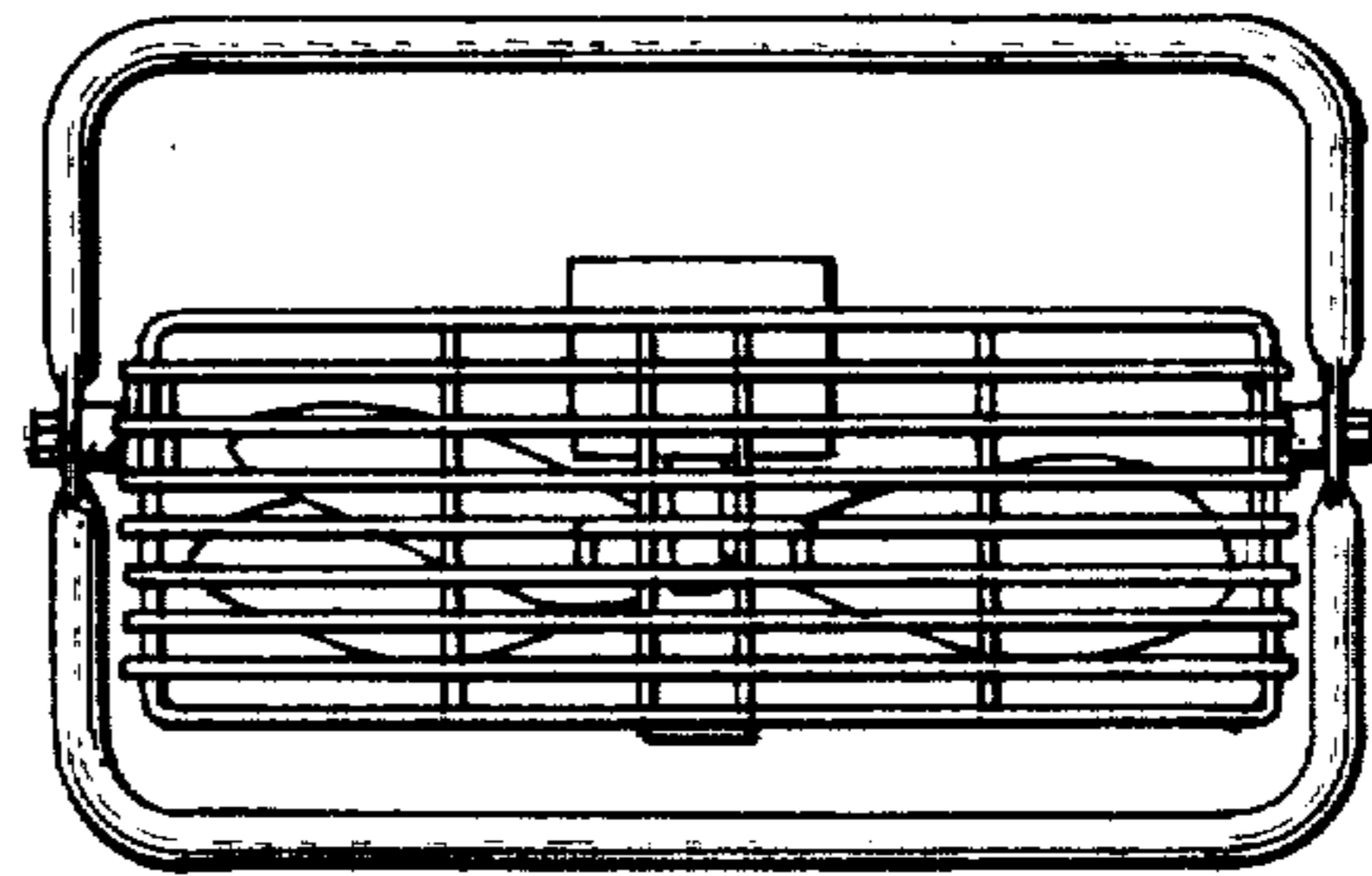


FIG. 11

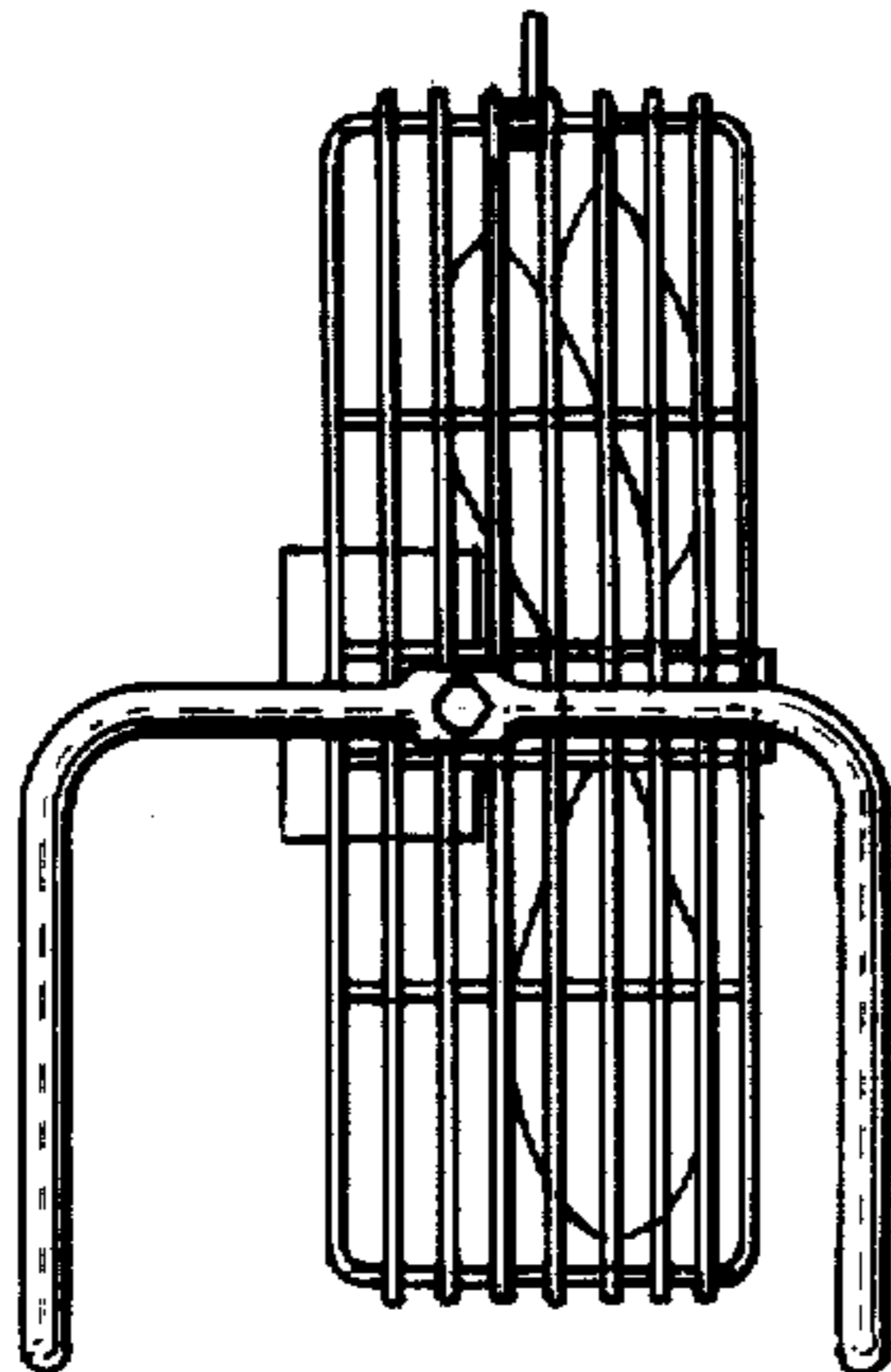


FIG. 12

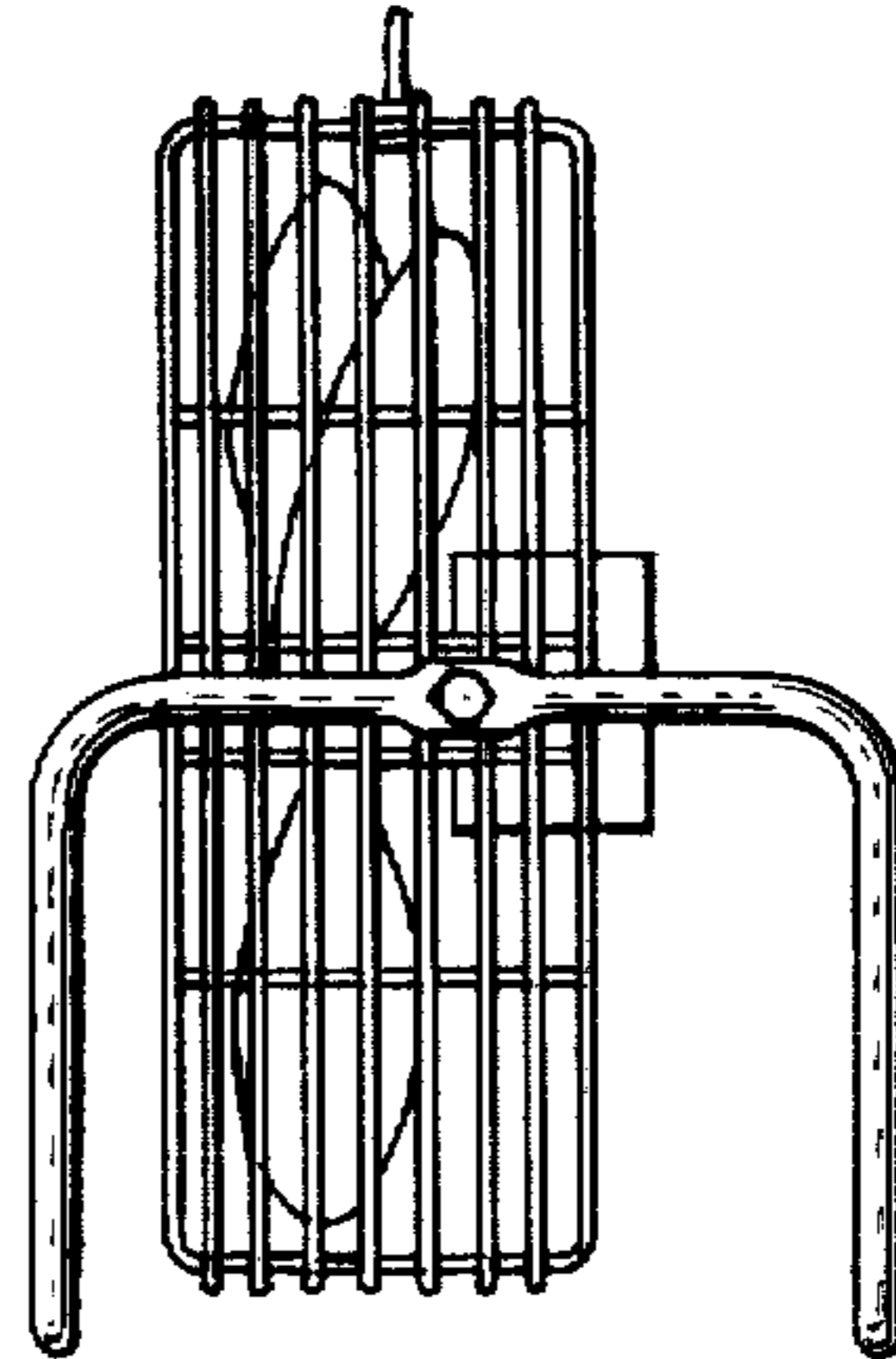


FIG. 13

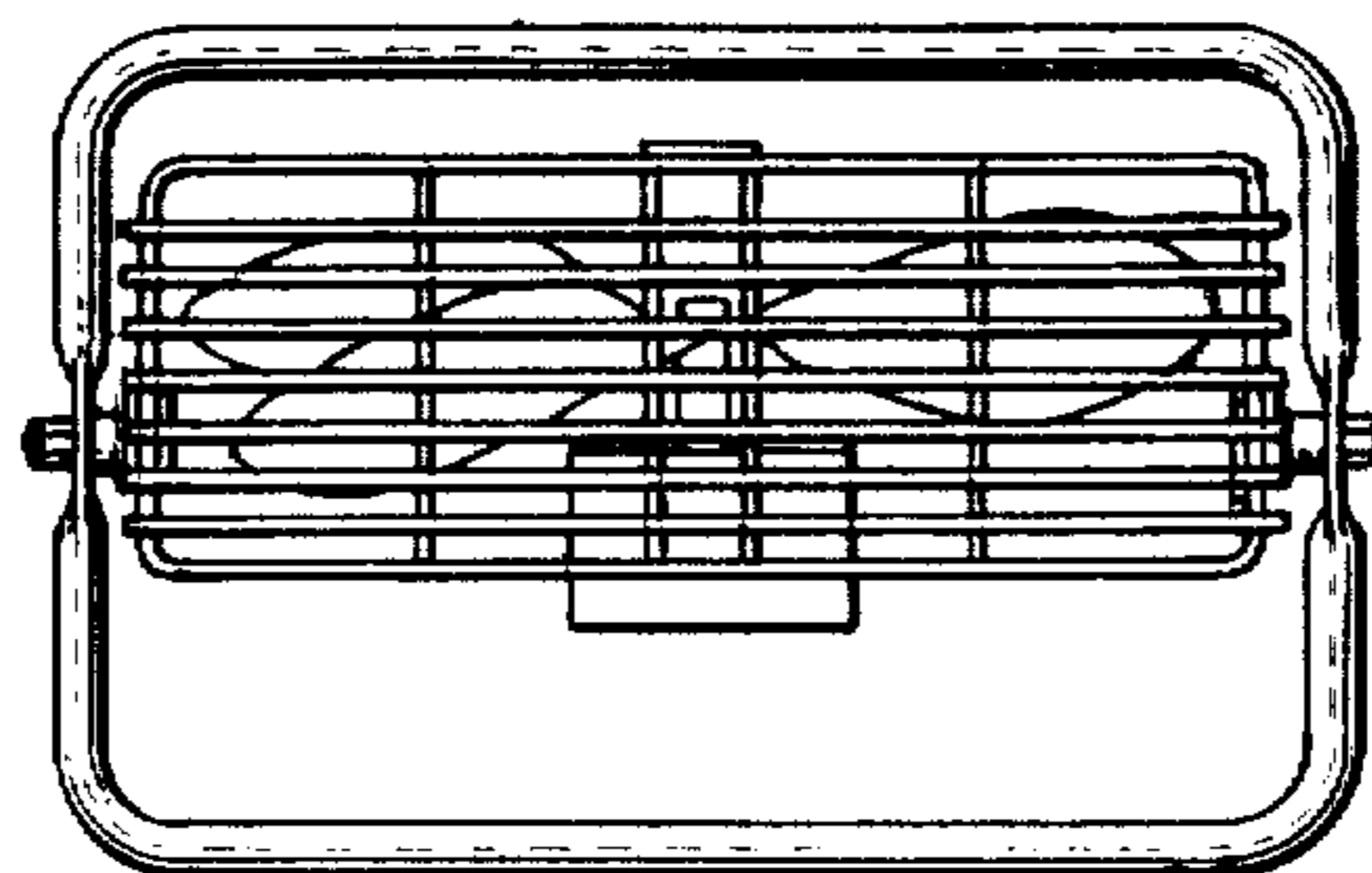


FIG.14

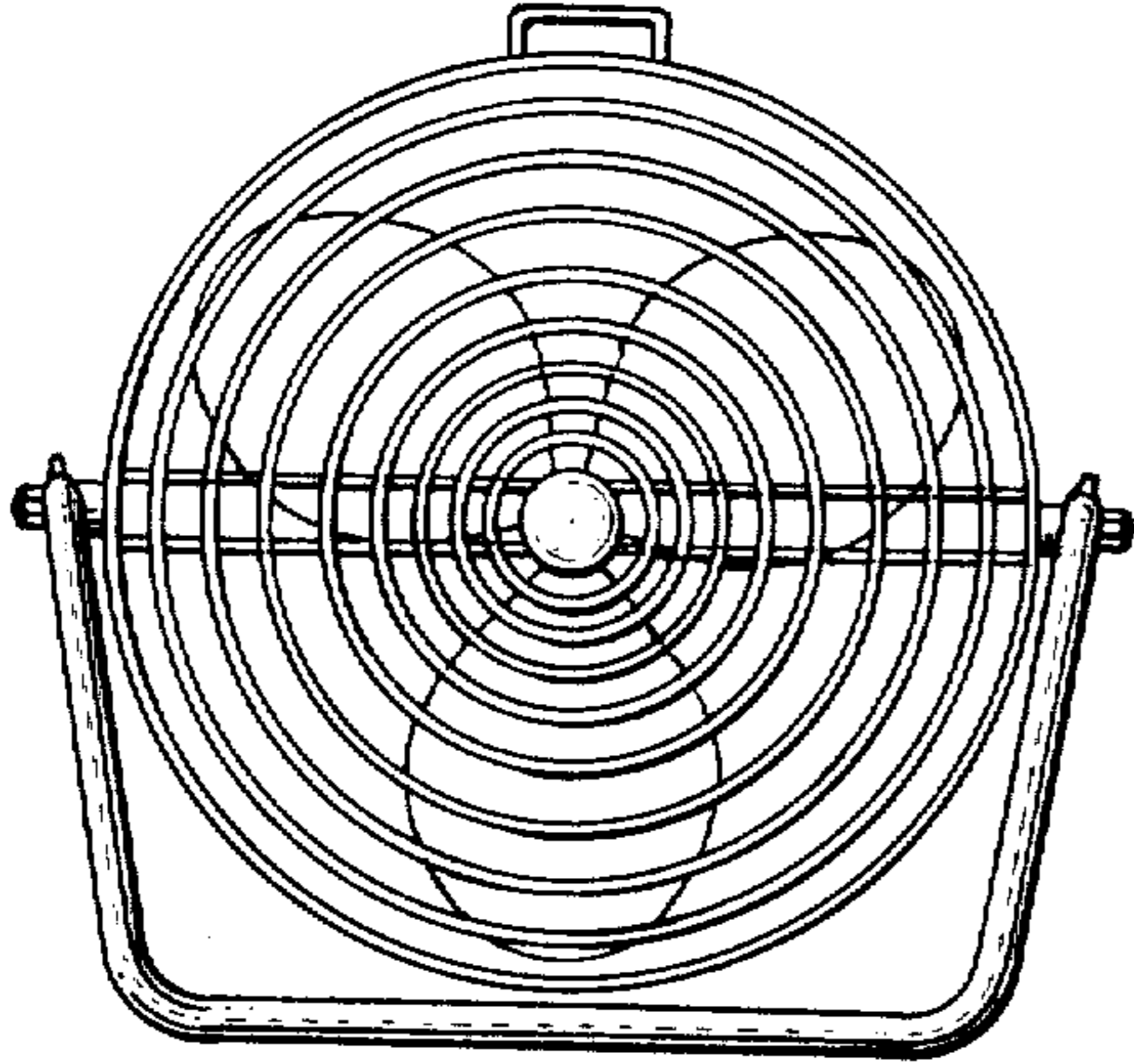


FIG.16

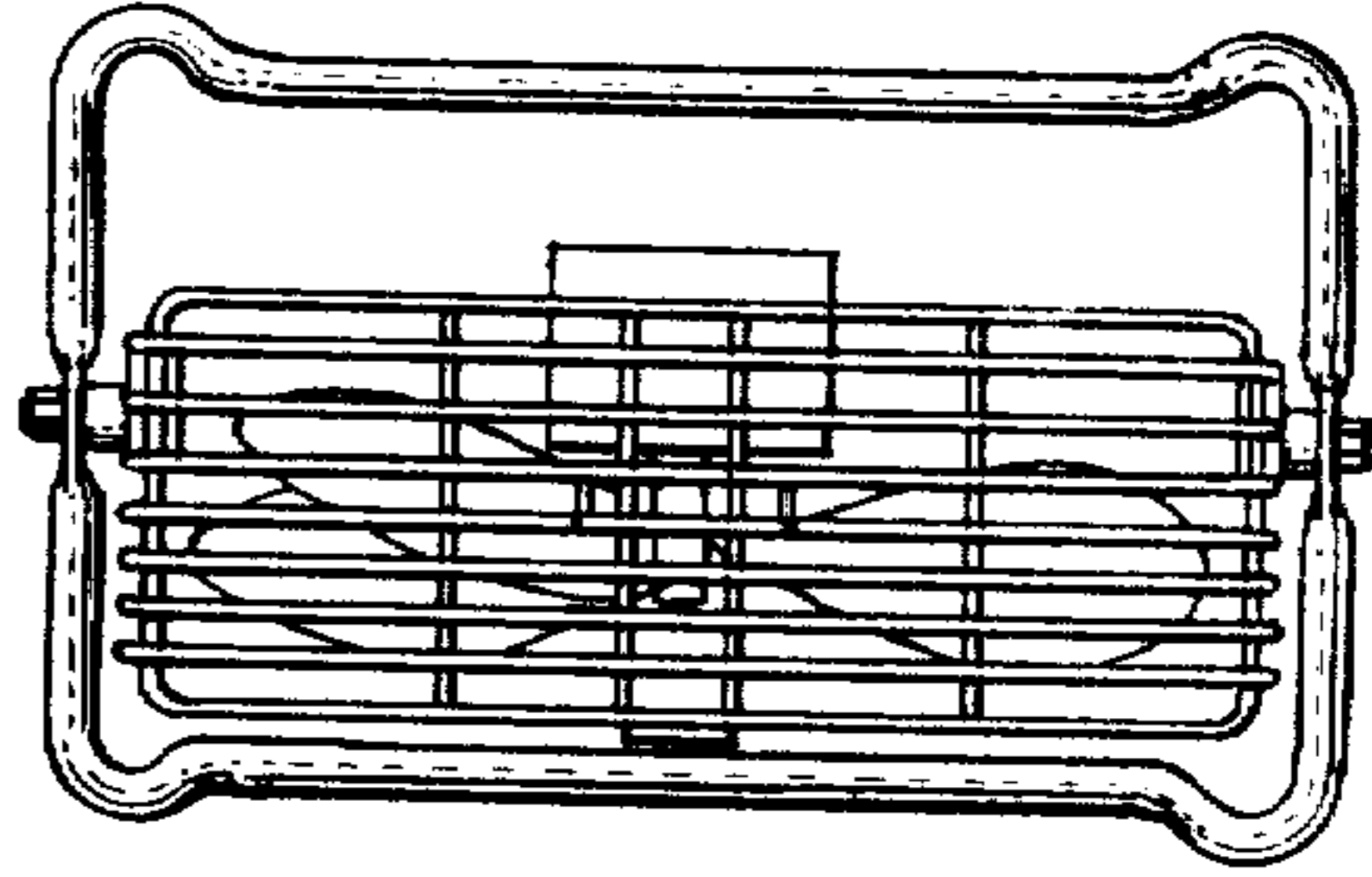


FIG.17

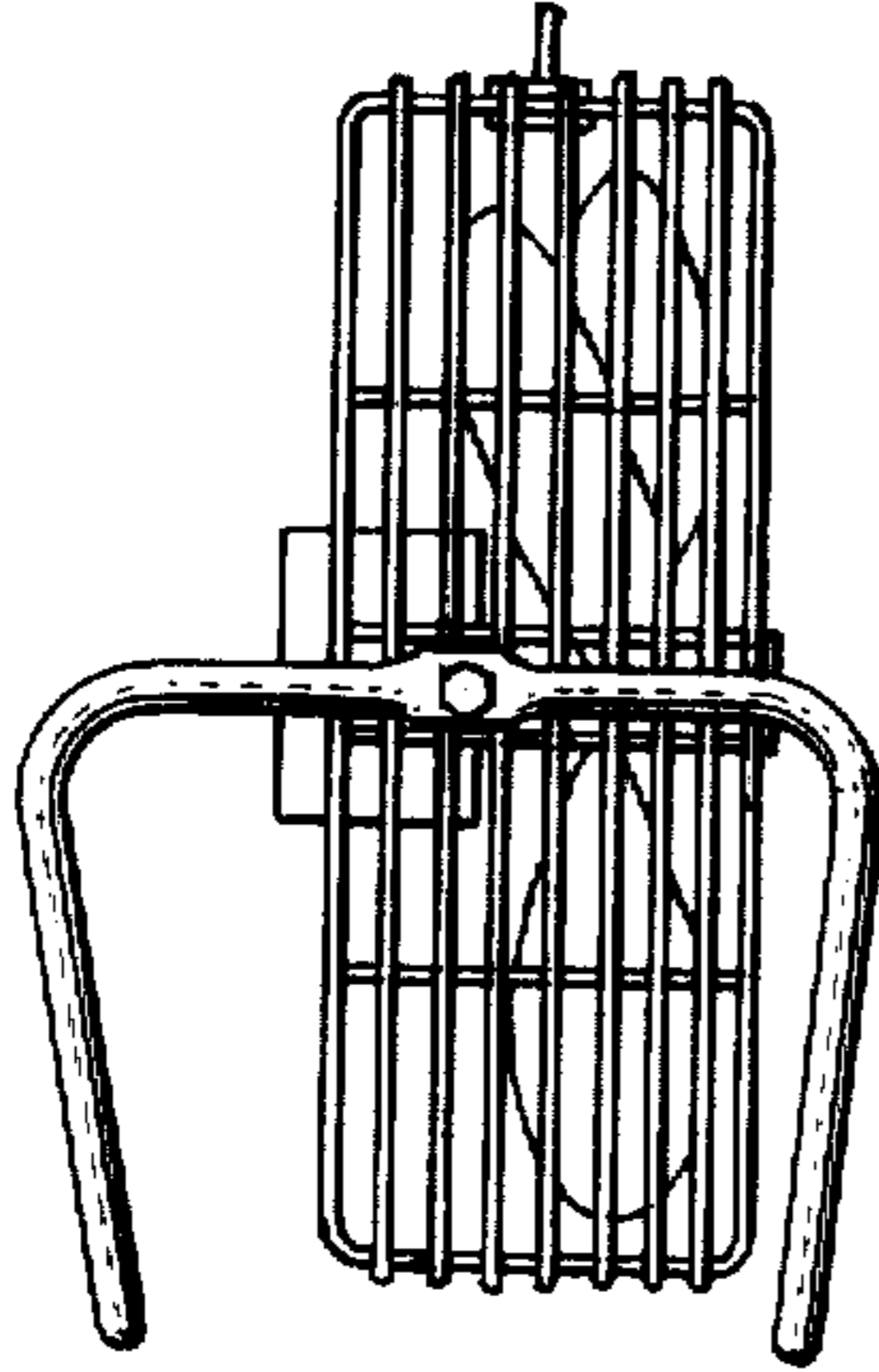


FIG.18

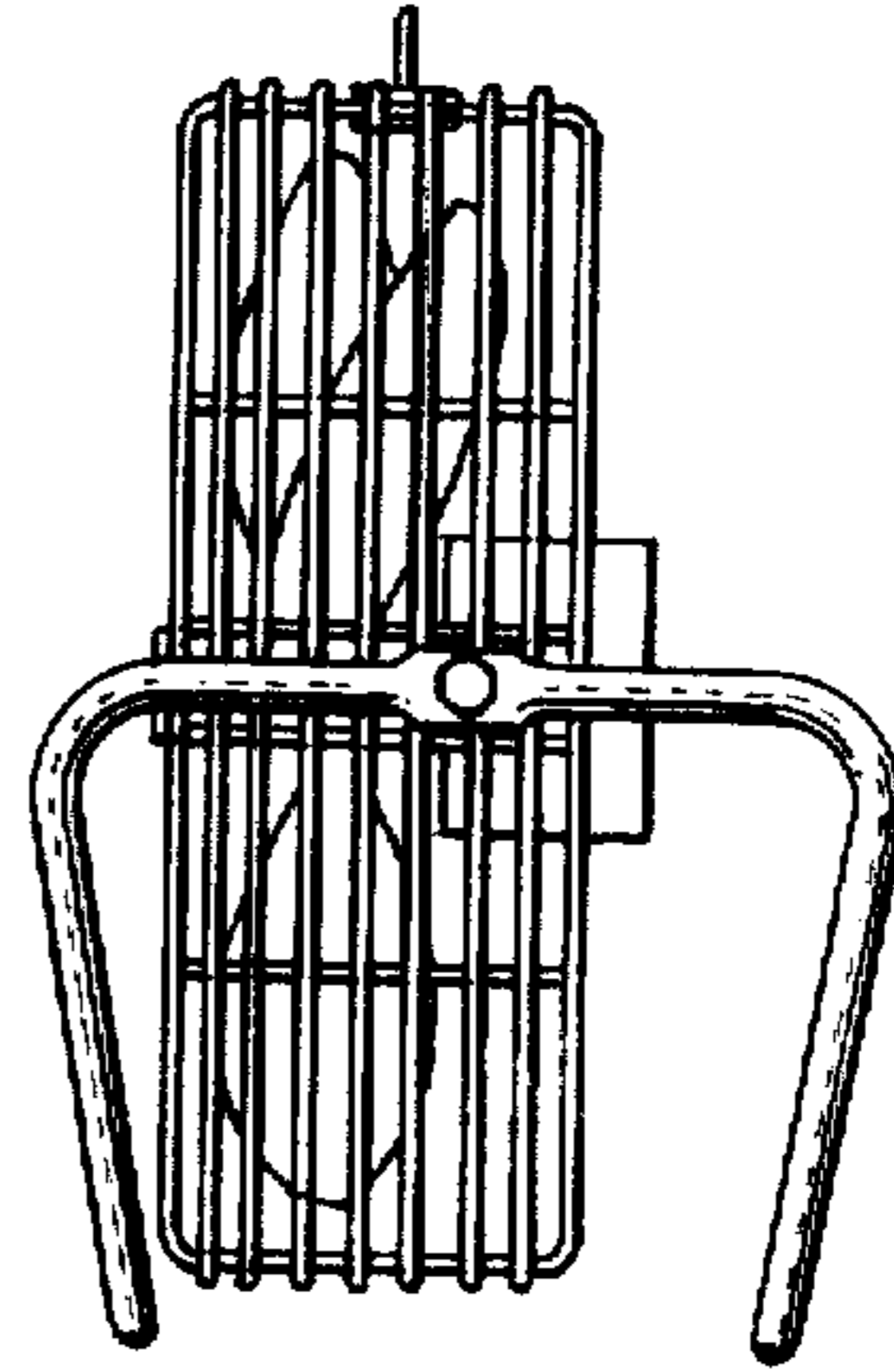


FIG.19

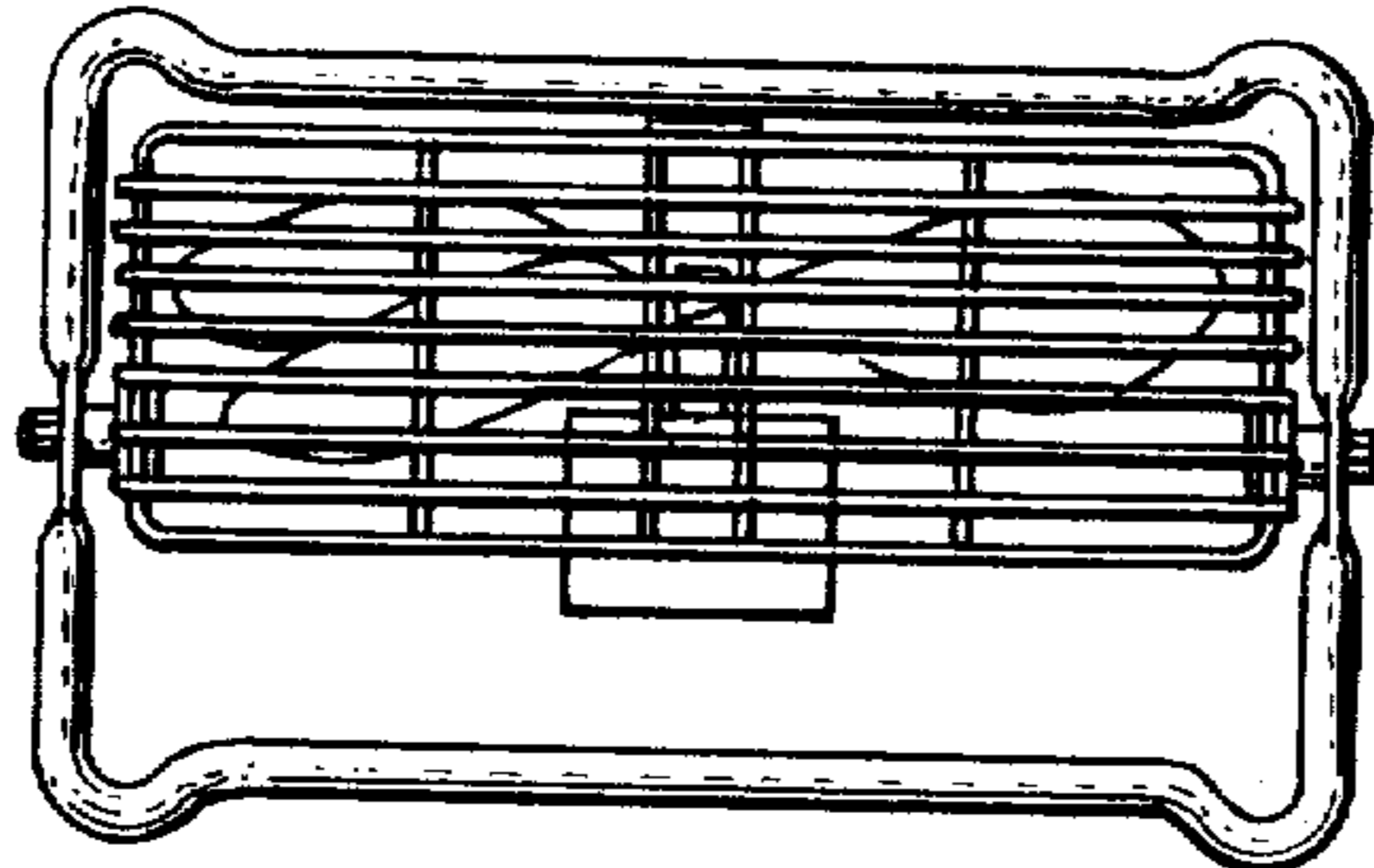




FIG.20

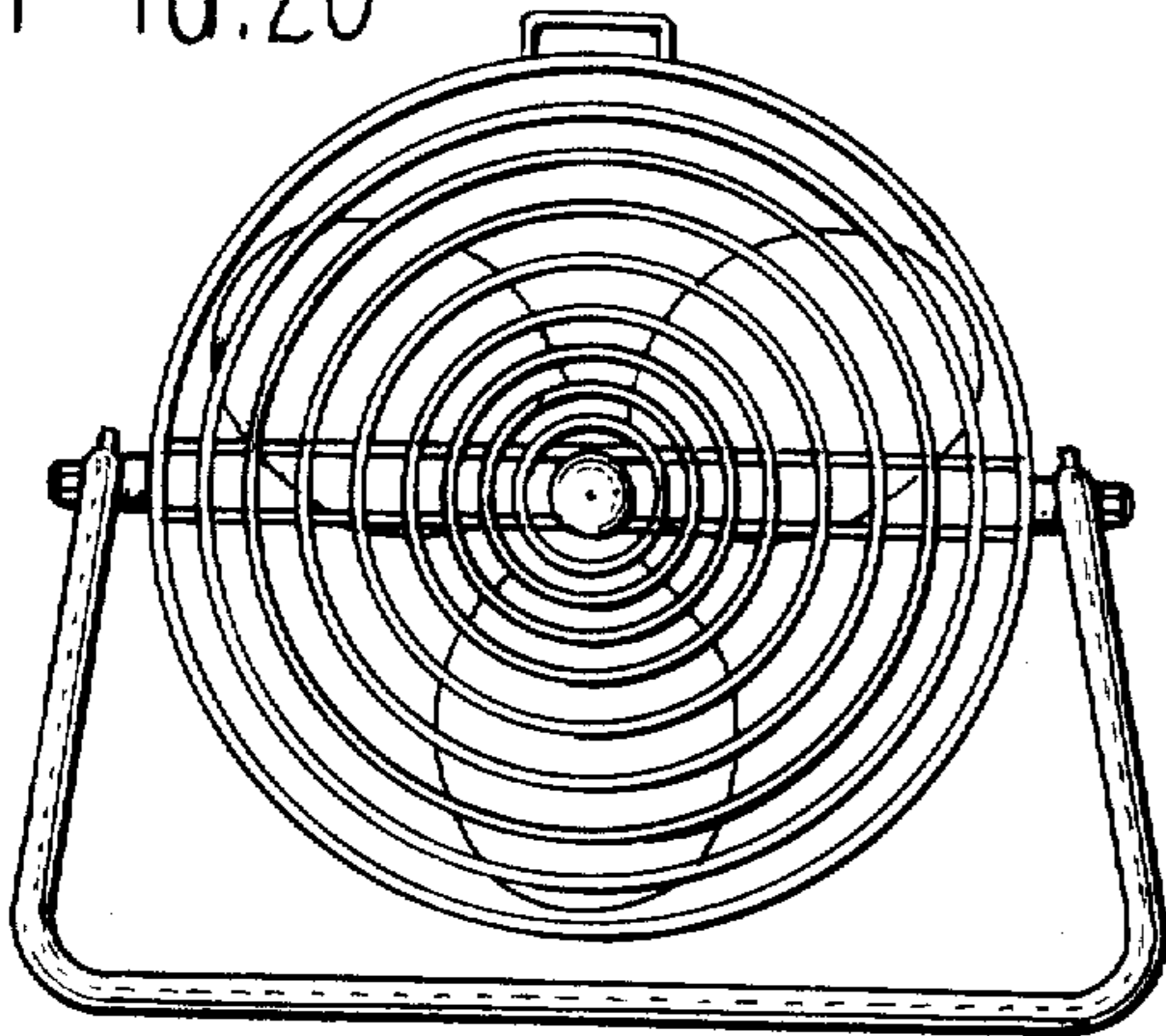


FIG.22

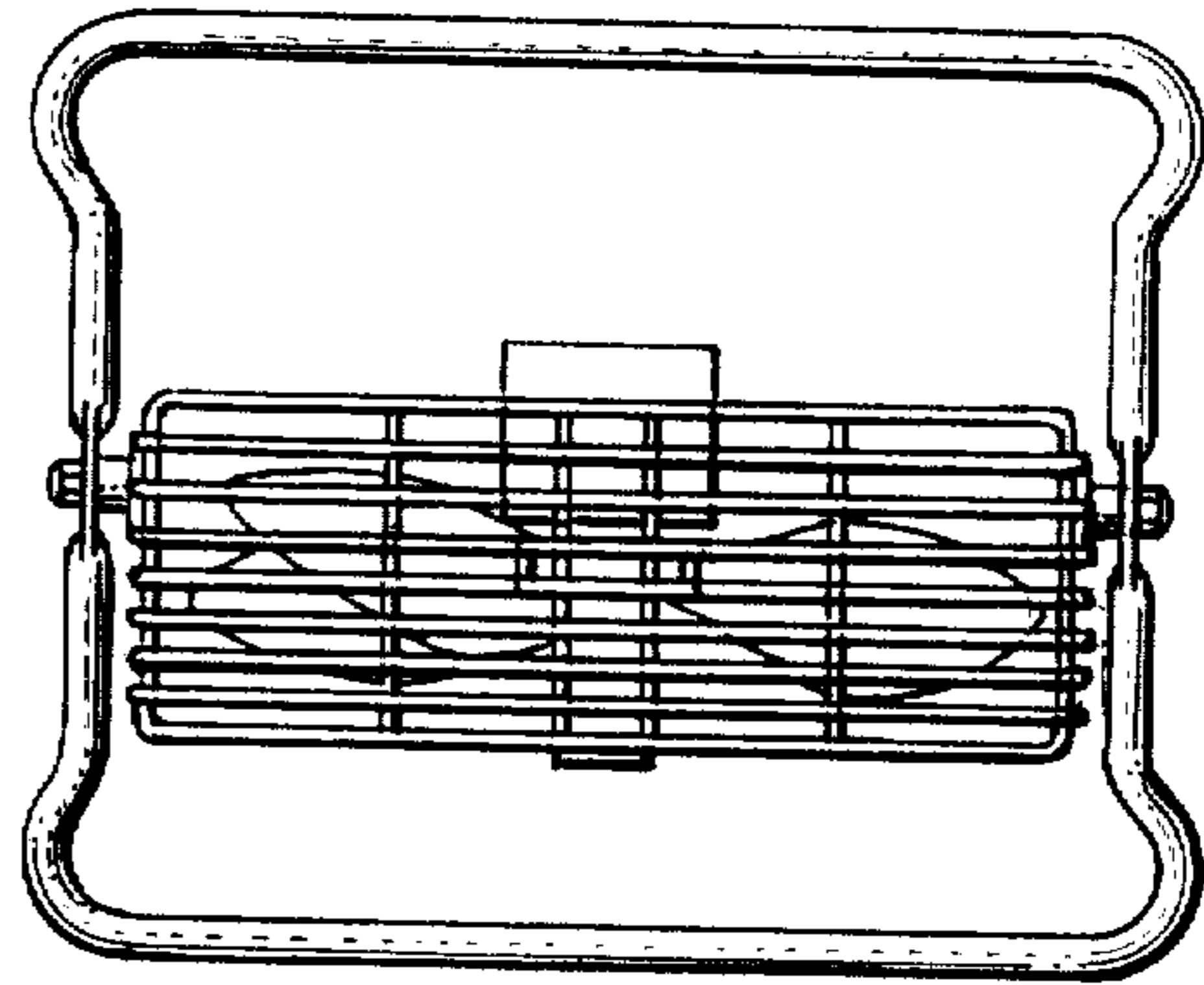


FIG.23

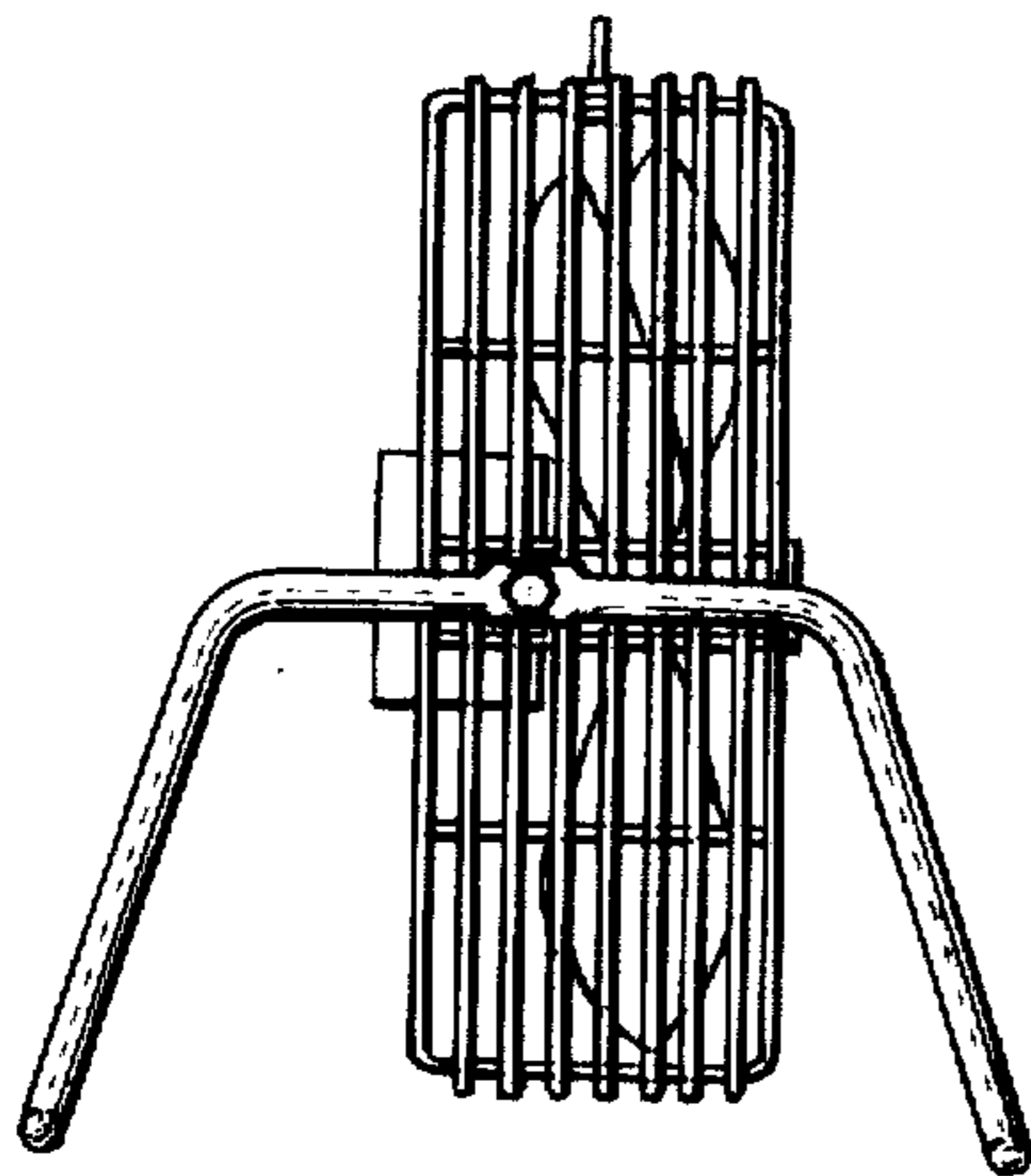


FIG.24

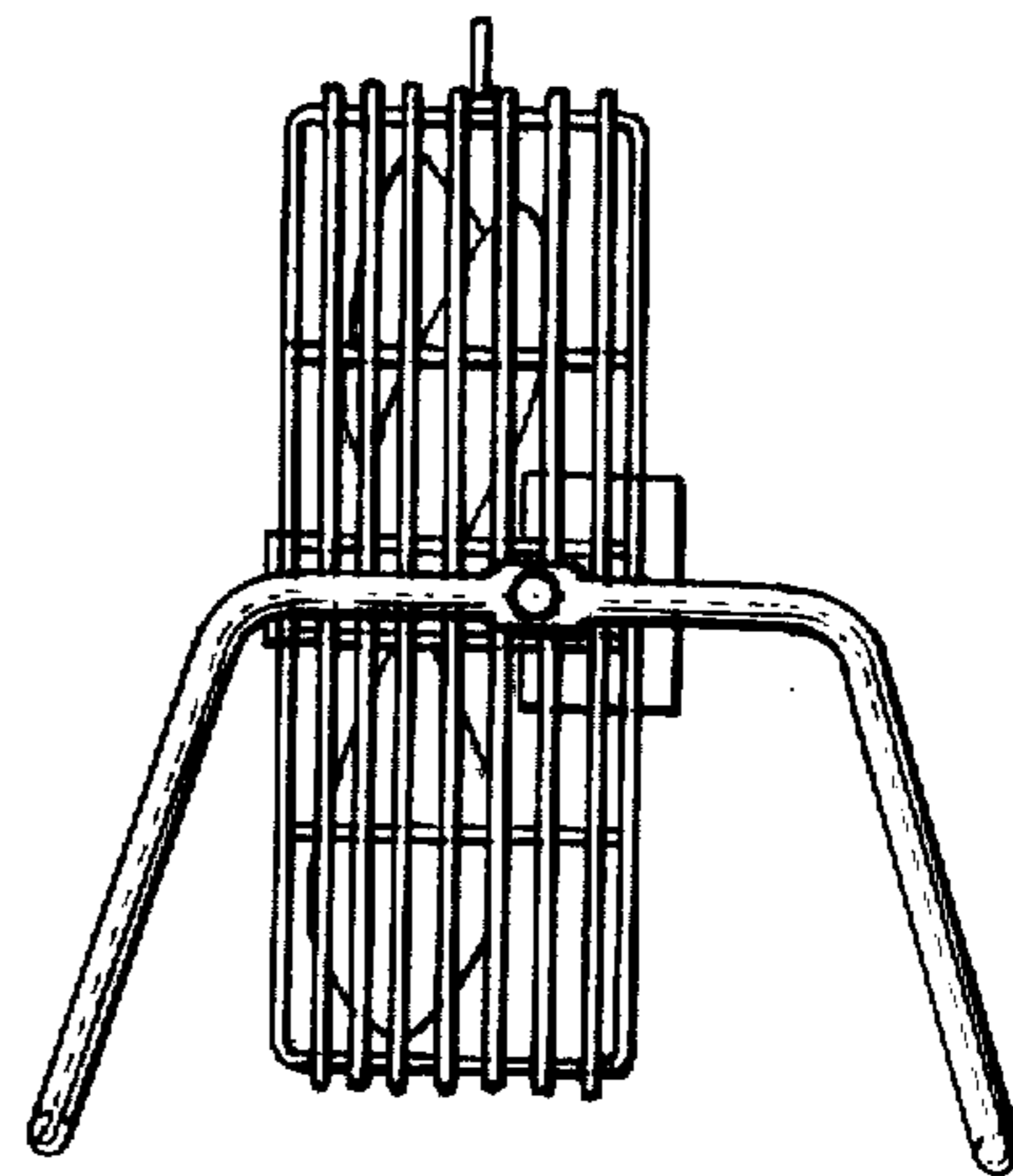


FIG.25

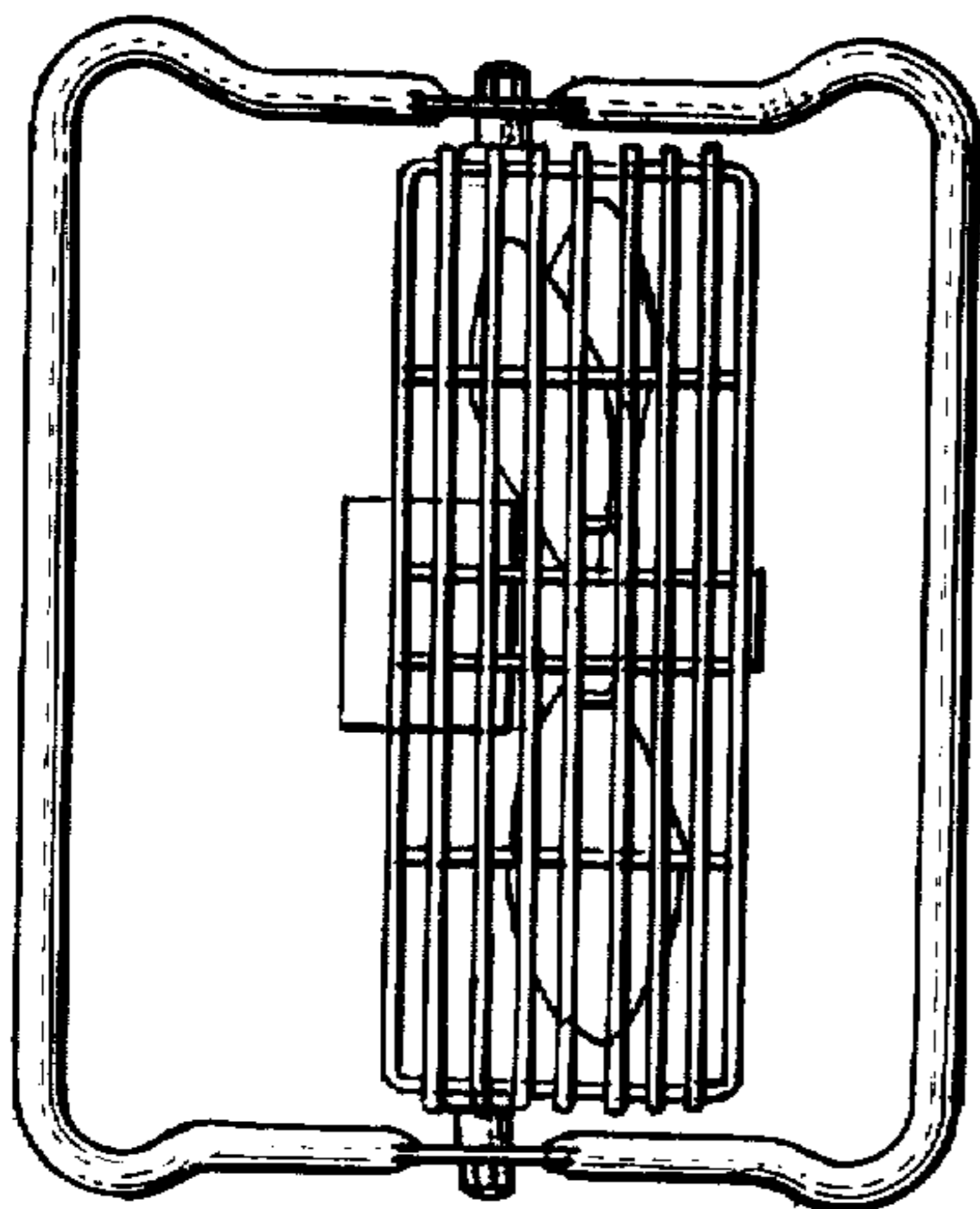


FIG.21

