

[54] **FIREPLACE AIR INLET**  
[76] **Inventor: Gary Funk, 1372 Clearwater La.,  
Springfield, Oreg. 97477**  
[\*\*] **Term: 14 Years**  
[21] **Appl. No.: 950,224**  
[22] **Filed: Oct. 10, 1978**  
[51] **Int. Cl. .... D23—03**  
[52] **U.S. Cl. .... D23/127**  
[58] **Field of Search .... D23/93, 94, 95, 96,  
D23/97, 127, 107; 126/120, 121, 123**  
[56] **References Cited**  
**U.S. PATENT DOCUMENTS**  
D. 244,136 4/1977 Buckner ..... D23/107

1,589,702 6/1926 Isenberg ..... 126/121

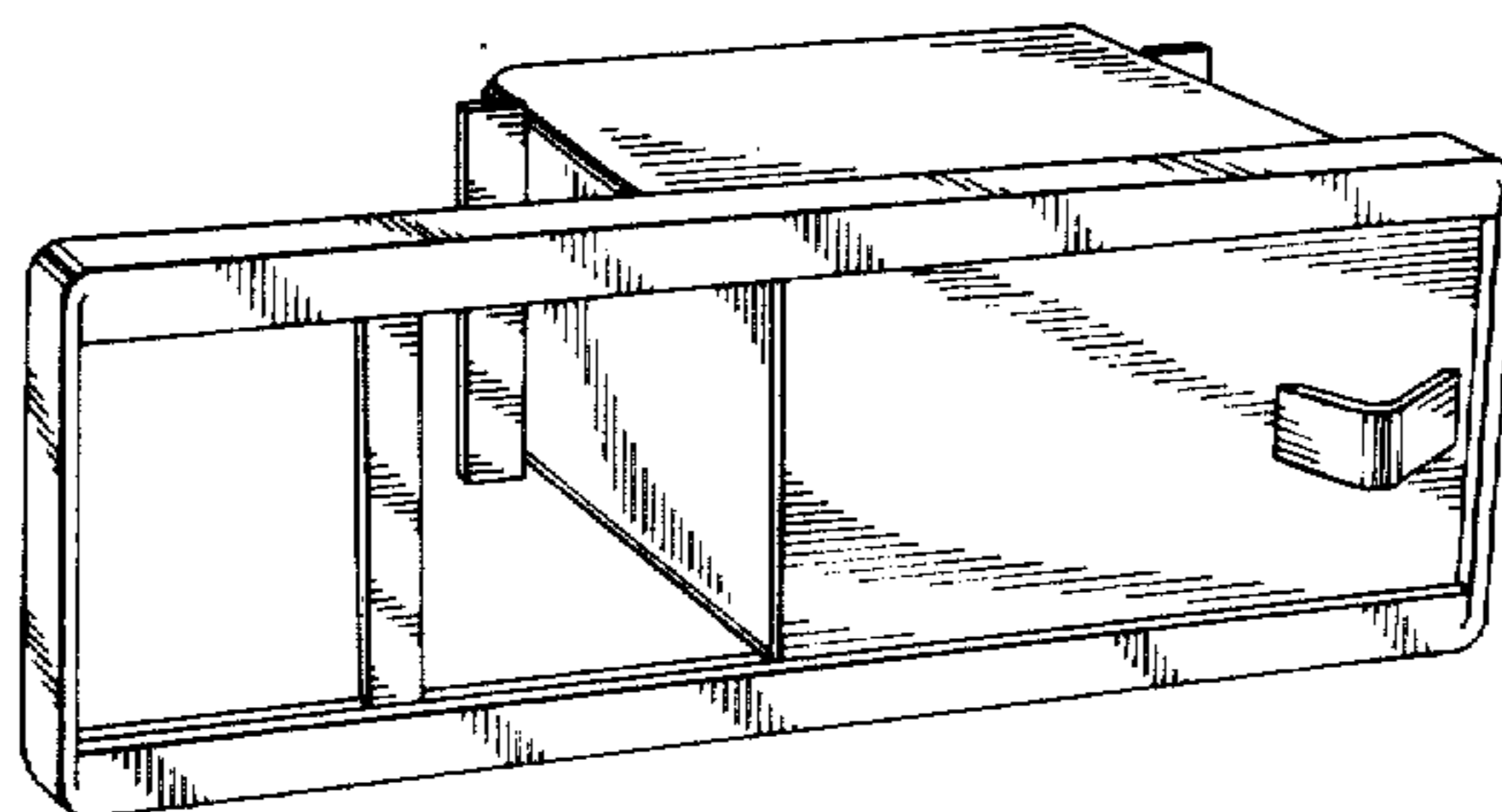
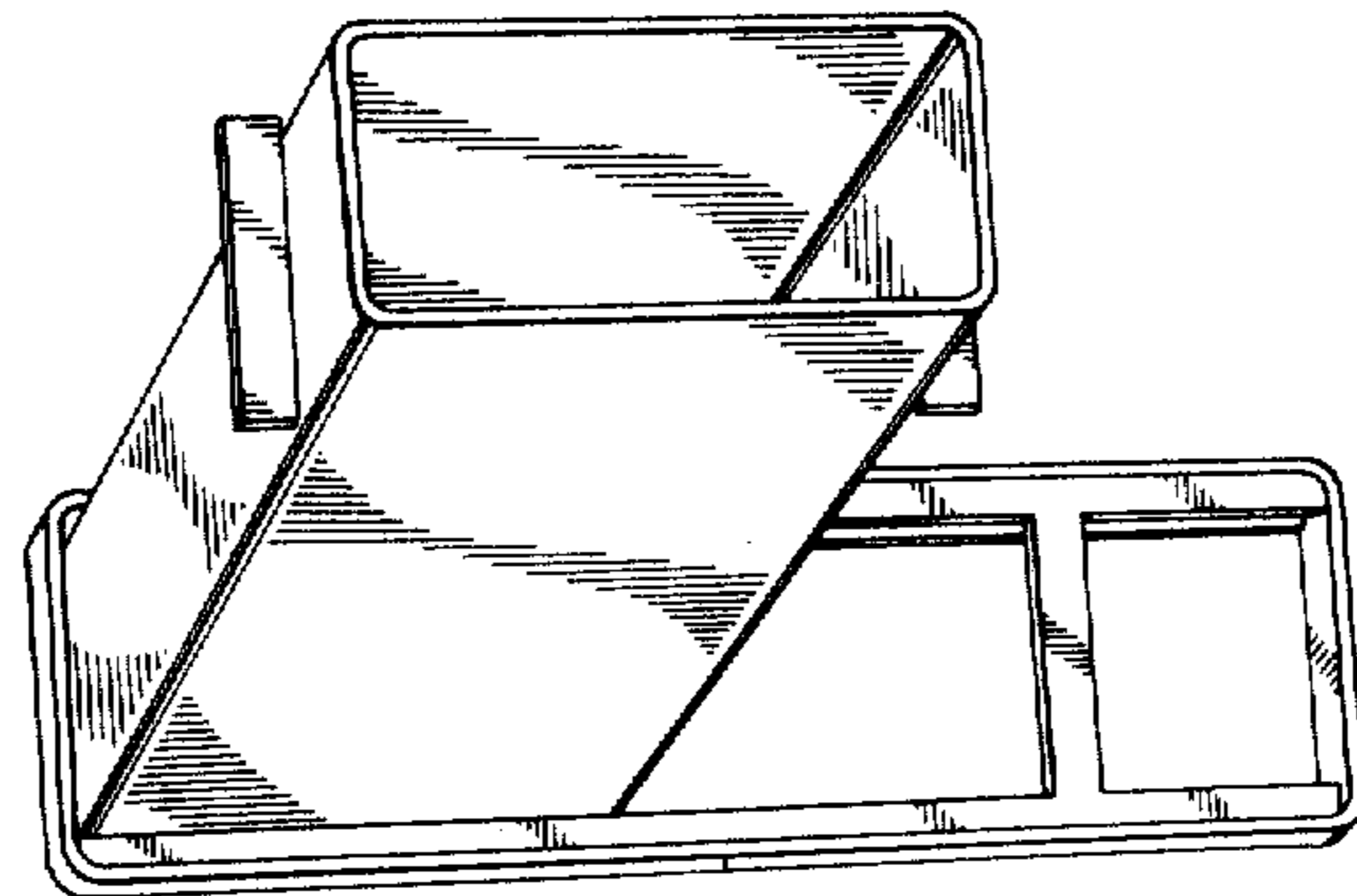
*Primary Examiner*—Catherine E. Kemper  
*Attorney, Agent, or Firm*—Kolisch, Hartwell &  
Dickinson

[57] **CLAIM**

The ornamental design for fireplace air inlet, as shown and described.

**DESCRIPTION**

FIG. 1 is a top, front perspective view of a fireplace air inlet, showing my new design and shown with the door fully opened;  
FIG. 2 is a top, front perspective view thereof, shown with the door closed;  
FIG. 3 is a rear perspective view of the fireplace air inlet as it appears in FIG. 2.



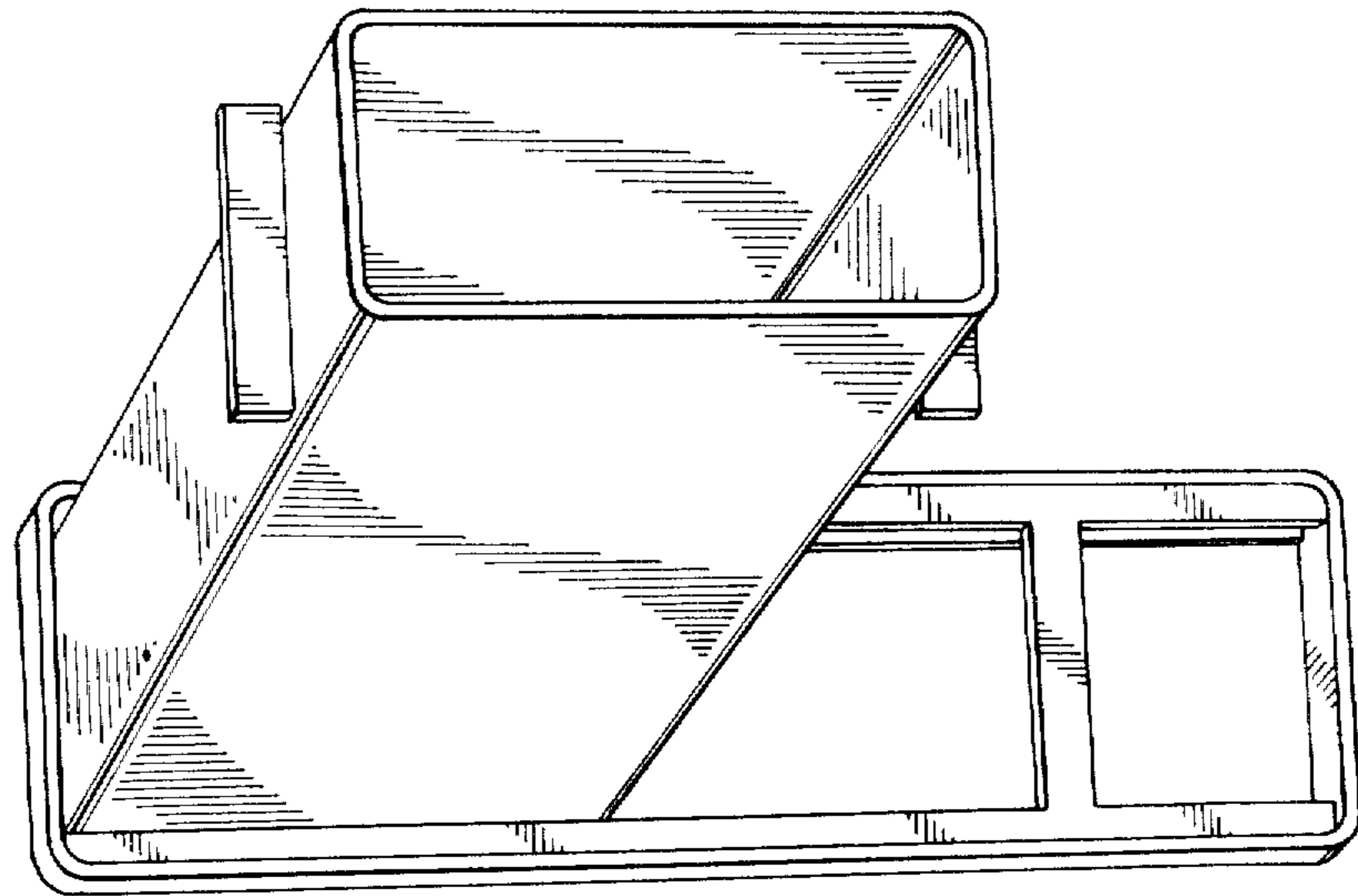


Fig. 3.

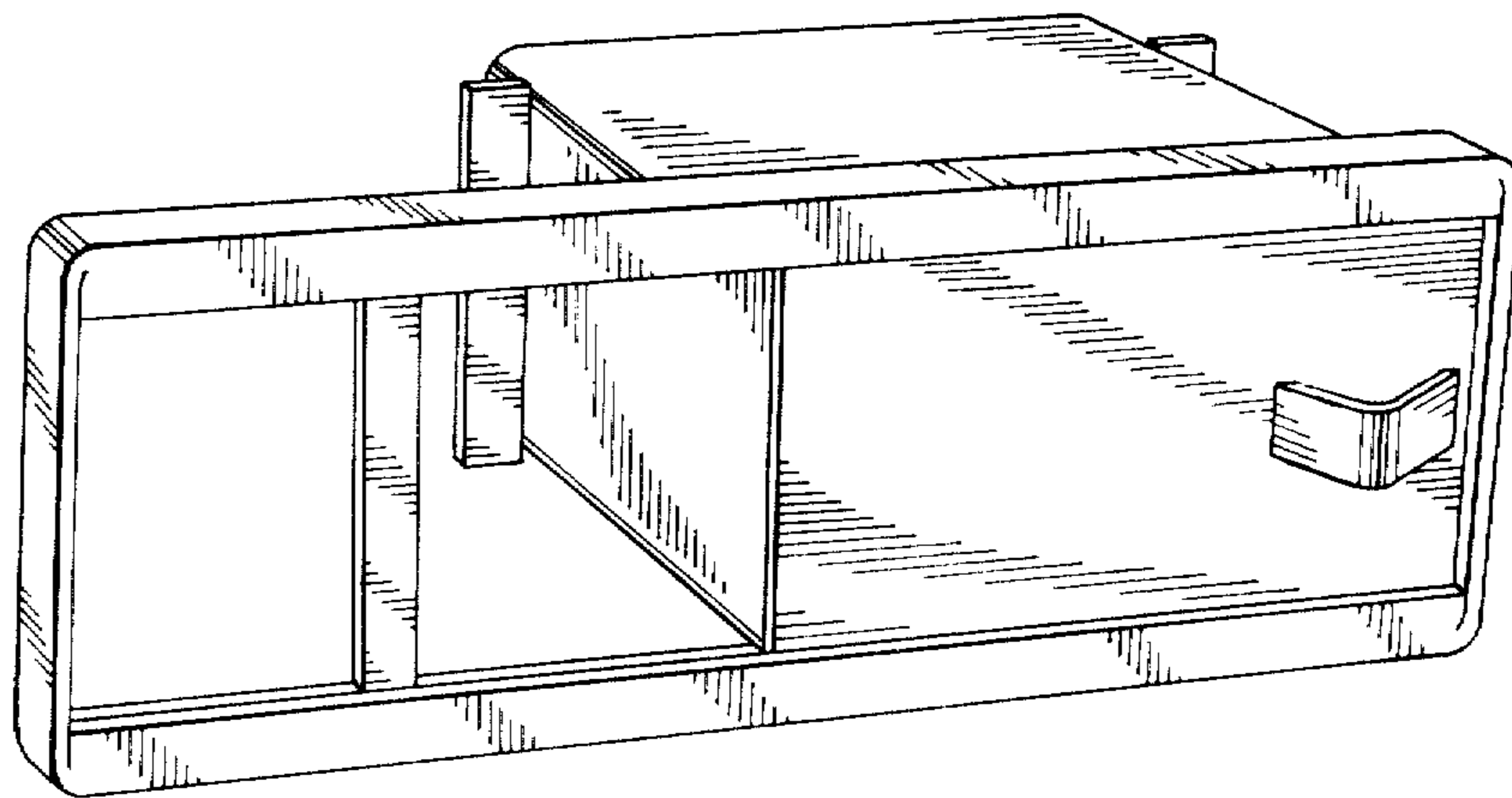


Fig. 2

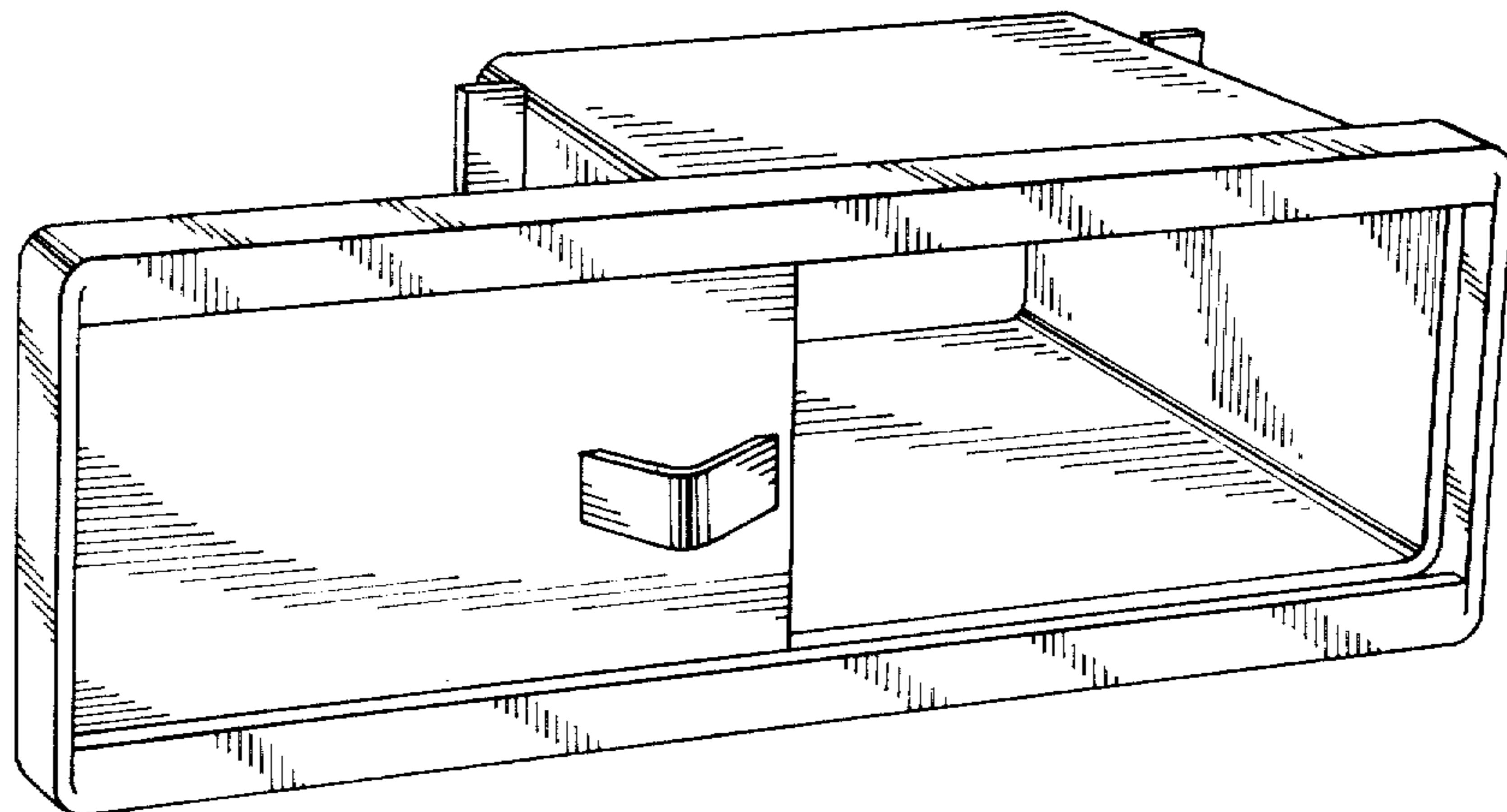


Fig. 1.