

[54] EXERCYCLE

[75] Inventors: **Richard A. Disbrow**, Battle Creek;
Russell O. Blanchard, Marshall, both
of Mich.

[73] Assignee: **Fitness Products, Inc.**, Battle Creek,
Mich.

[**] Term: **14 Years**

[21] Appl. No.: **147,029**

[22] Filed: **May 6, 1980**

[51] Int. Cl. **D21-02**
[52] U.S. Cl. **D21/194**
[58] Field of Search **D21/194, 191; 272/73,**
272/70.3, 70.1, 70.2

[56] **References Cited**

U.S. PATENT DOCUMENTS

D.193,437 8/1962 Maratta **D21/194**
3,360,263 12/1967 Tsuru **272/73**
4,243,217 1/1981 Gibbs **272/73**

FOREIGN PATENT DOCUMENTS

2238585 2/1974 Fed. Rep. of Germany **272/73**
2432321 4/1978 France .
4128 of 1898 United Kingdom .
936469 9/1963 United Kingdom .

OTHER PUBLICATIONS

Sporting Goods Dealer, 2-1977; p. 50, Superstar Pacer
Deluxe.
TWA Flight Shop World of Gifts Cat. ©1980, p. 7,
"Vita Master" Exercycle.

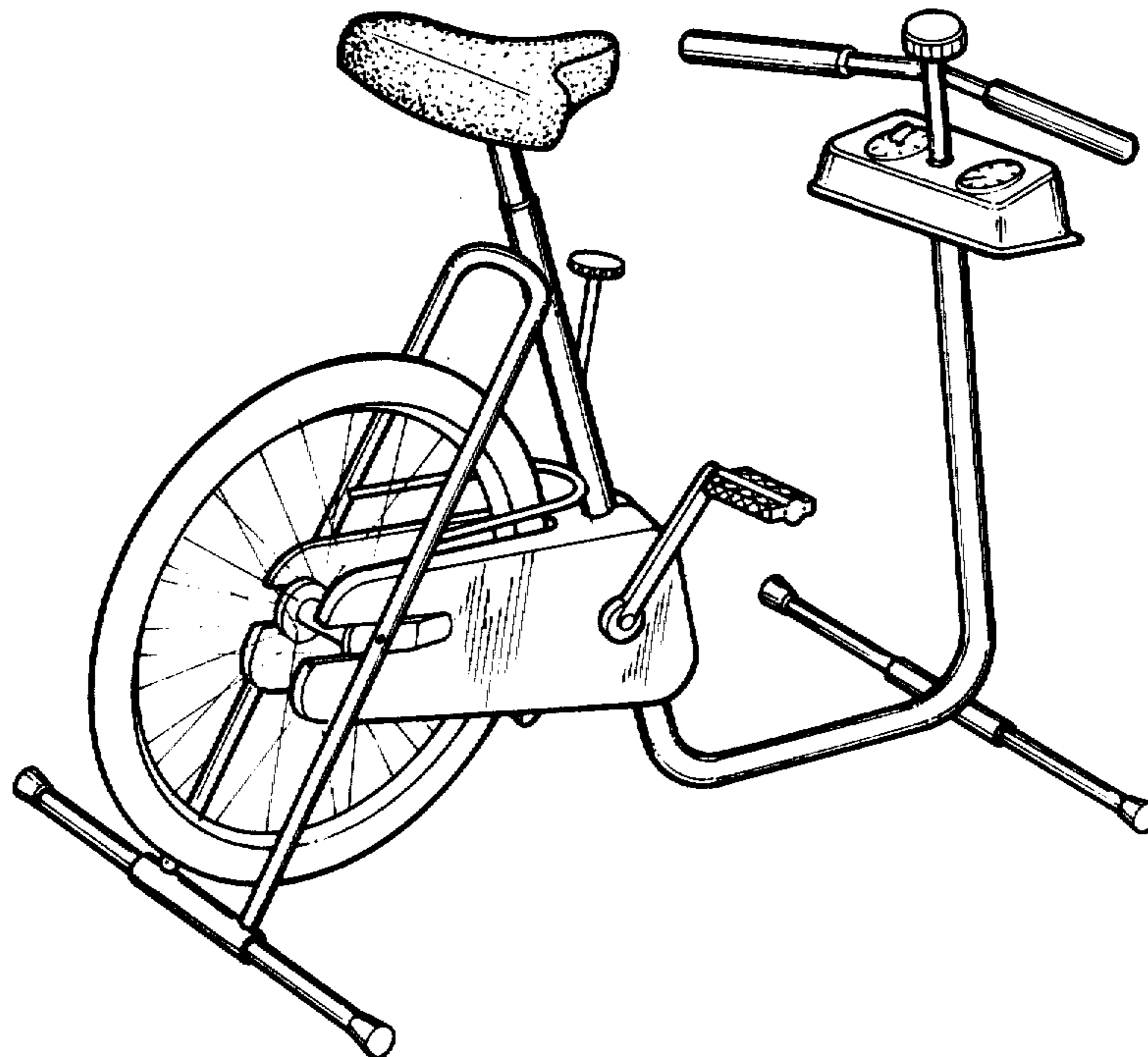
Primary Examiner—Charles A. Rademaker
Attorney, Agent, or Firm—Krass, Young & Schivley

[57] **CLAIM**

The ornamental design for an exercycle, substantially as
shown and described.

DESCRIPTION

FIG. 1 is a top perspective view of an exercycle show-
ing our new design;
FIG. 2 is a top plan view thereof;
FIG. 3 is a side elevation thereof;
FIG. 4 is a front elevation thereof; and
FIG. 5 is a rear elevation thereof.



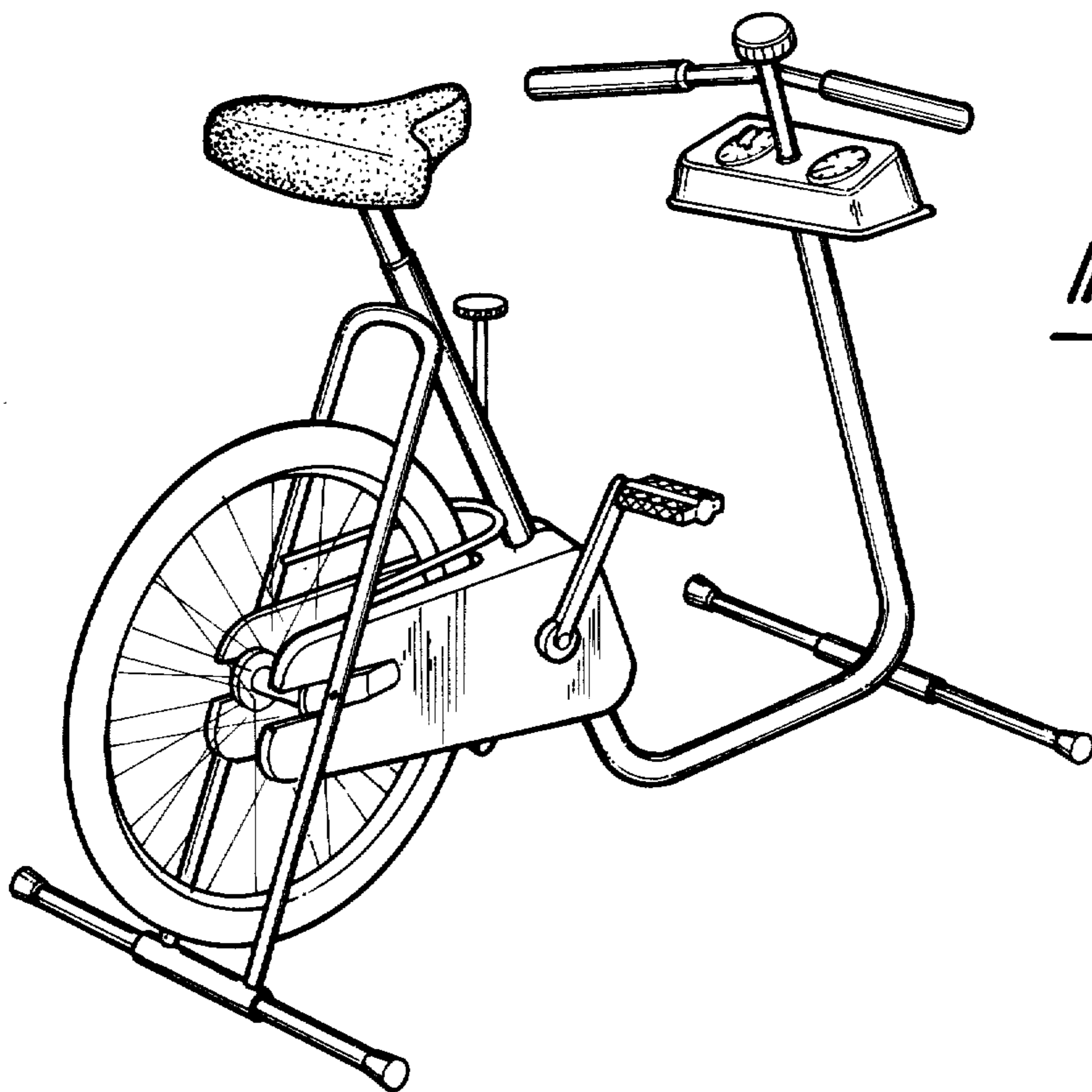


Fig-1

Fig-2

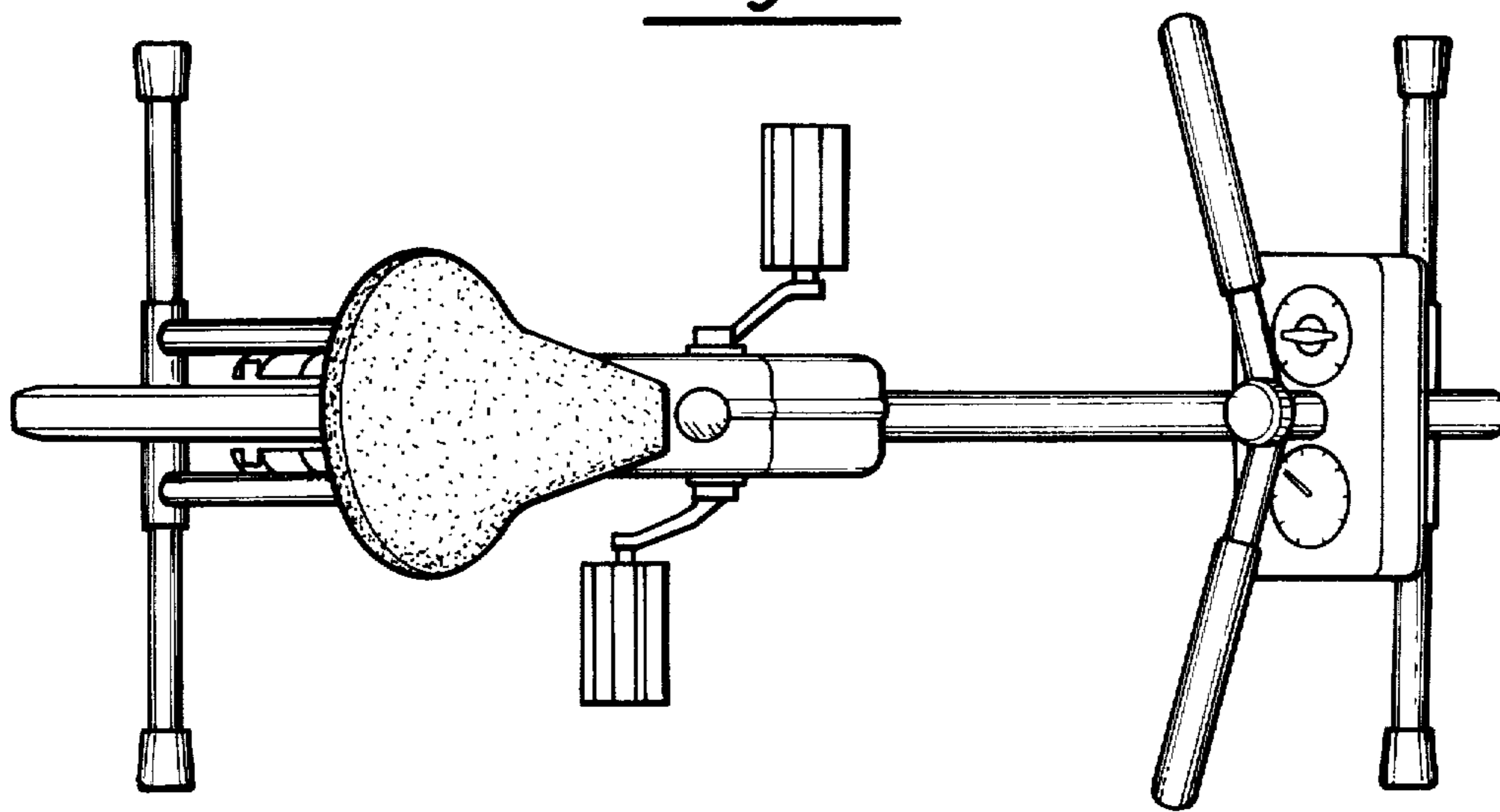


Fig-3

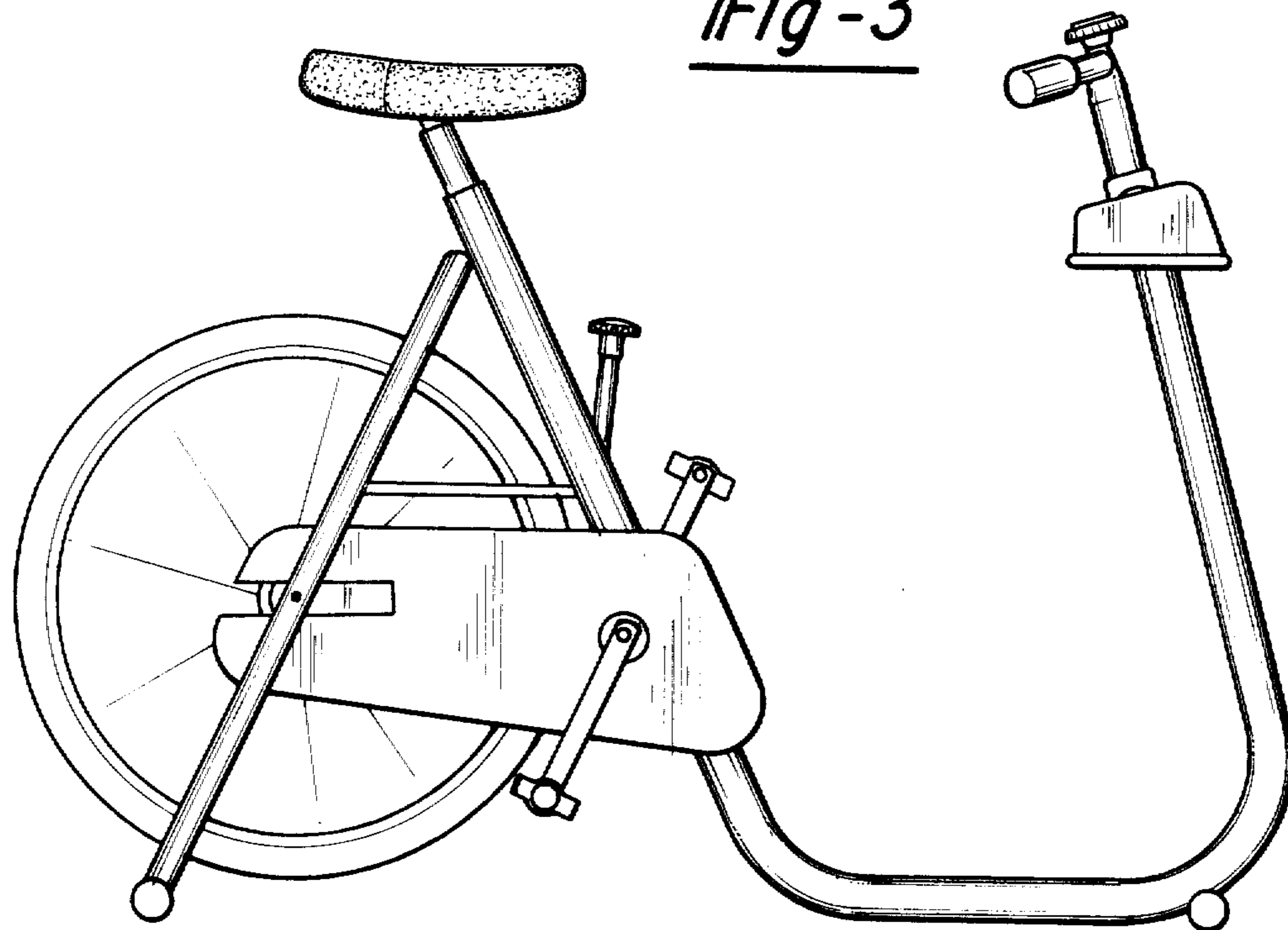


Fig-4

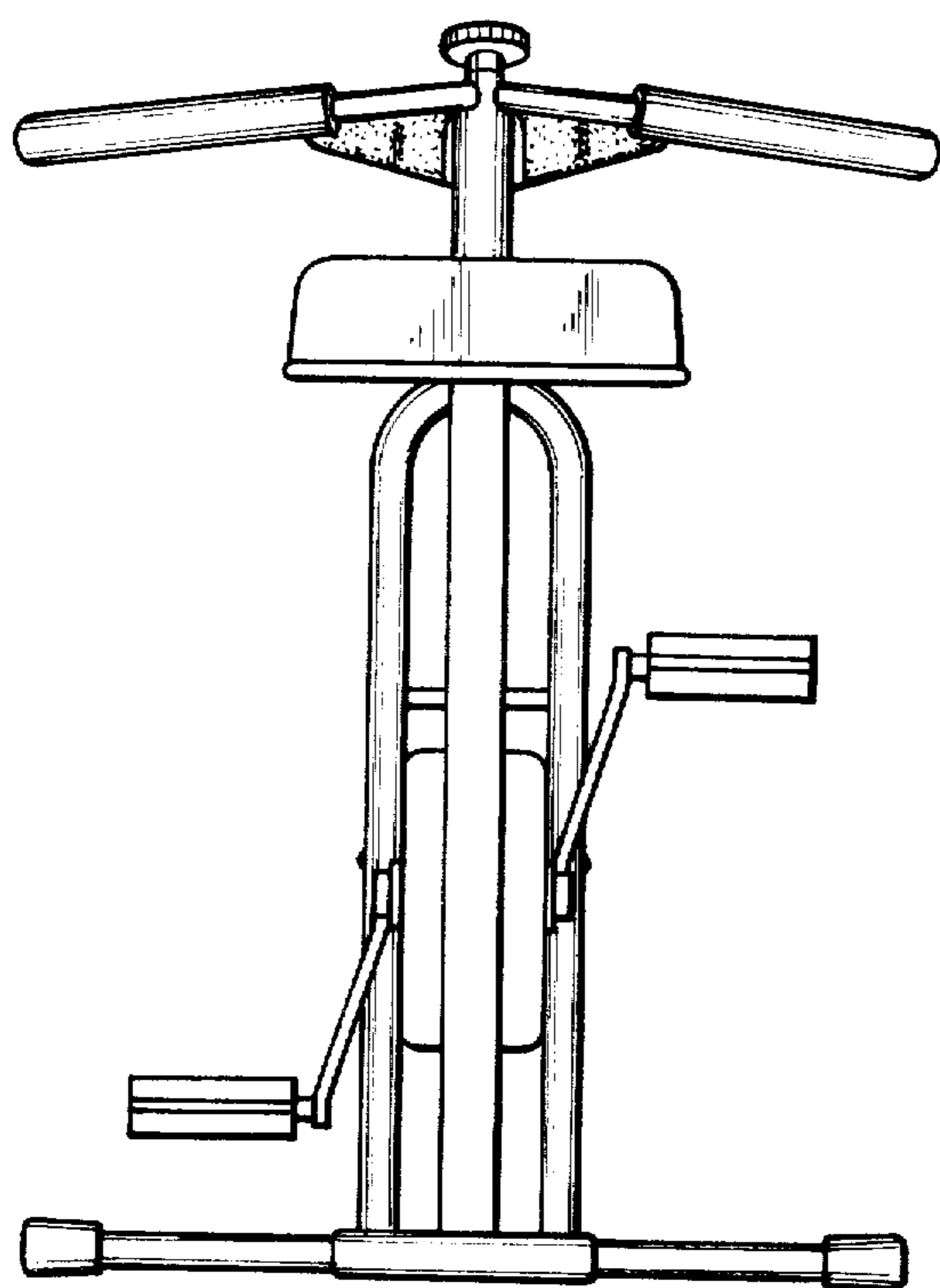


Fig-5

