

[54] CONTROL PANEL FOR A TOY MOTORCYCLE OR THE LIKE

[75] Inventors: Mel Appel, Nine Nottingham Rd., Livingston, N.J. 07039; Paul B. Means, III, Basking Ridge; James J. Wilcox, Summit, both of N.J.; David W. Reina, Huntington, N.Y.

[73] Assignee: Mel Appel, Livingston, N.J.

[**] Term: 14 Years

[21] Appl. No.: 29,041

[22] Filed: Apr. 11, 1979

[51] Int. Cl. D21-01

[52] U.S. Cl. D21/142

[58] Field of Search D21/76, 81, 128, 142, D21/137; 46/201, 202, 222, 1 R, 249, 251, 262; D12/32, 31, 107, 110, 119, 174

[56] References Cited

U.S. PATENT DOCUMENTS

D. 213,082 12/1968 Walker D21/142
D. 230,603 3/1974 Stastny D21/142

OTHER PUBLICATIONS

Sears Wish Book, 1974, p. 472, "Big Driver Motorcycle", at bottom of page.

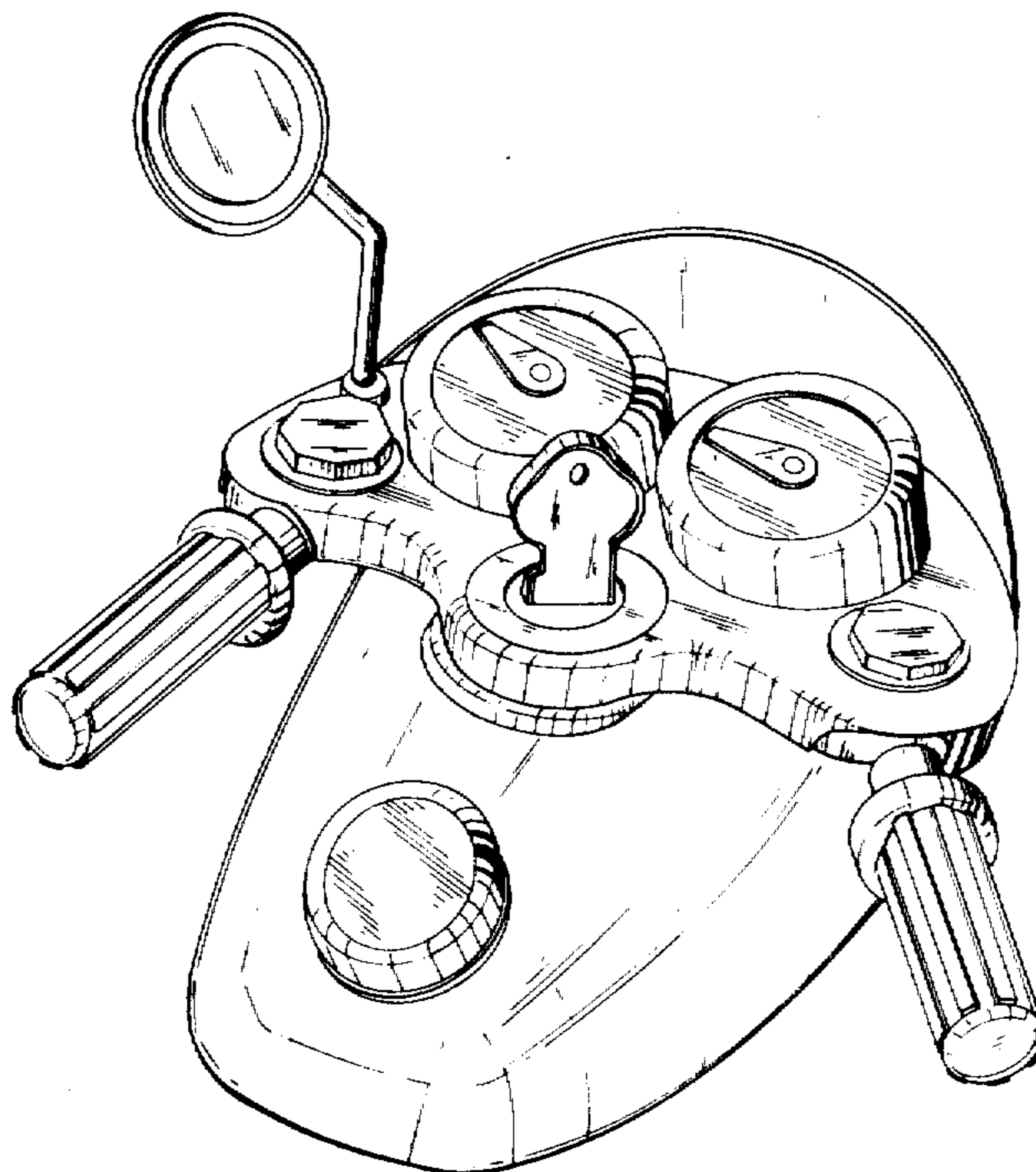
Primary Examiner—Charles A. Rademaker
Attorney, Agent, or Firm—Lerner, David, Littenberg & Samuel

[57] CLAIM

The ornamental design for a control panel for a toy motorcycle or the like, substantially as shown and described.

DESCRIPTION

FIG. 1 is a top perspective view of a control panel for a toy motorcycle or the like showing our new design; FIG. 2 is a front elevational view thereof; FIG. 3 is a bottom plan view thereof; FIG. 4 is a left elevational view thereof, the side opposite being substantially a mirror image thereof; and, FIG. 5 is a rear elevational view.



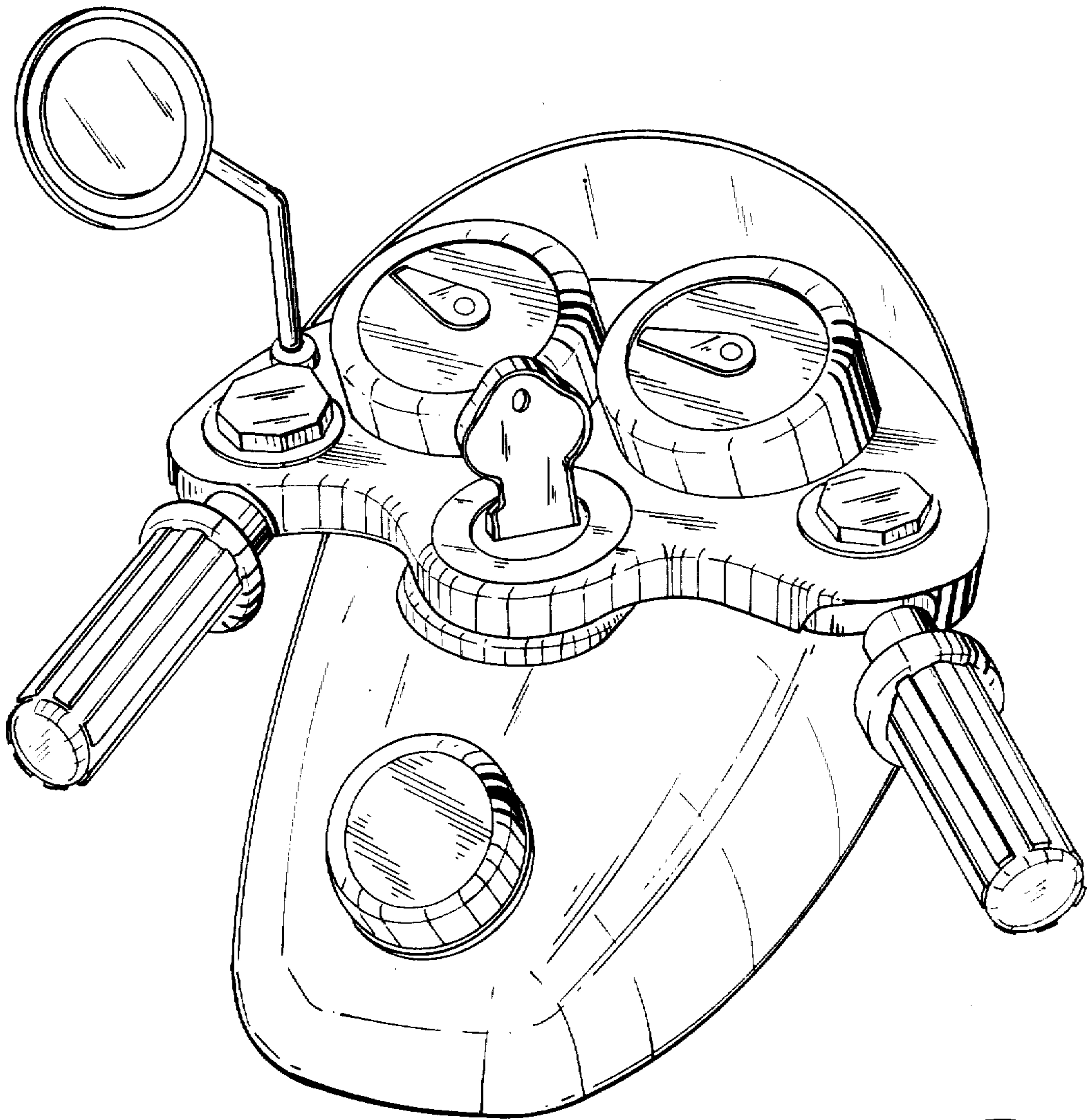


FIG. 1

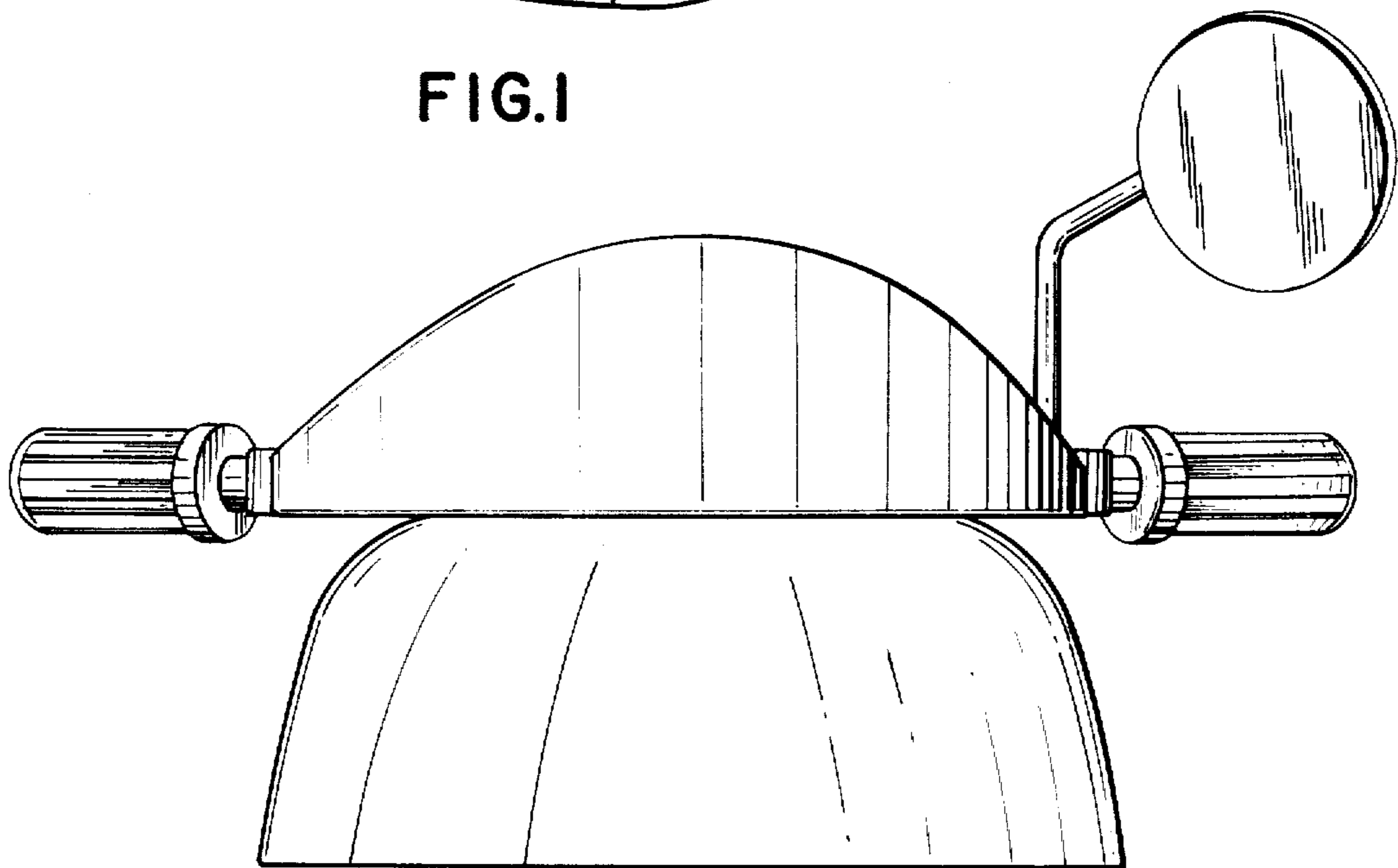


FIG. 2

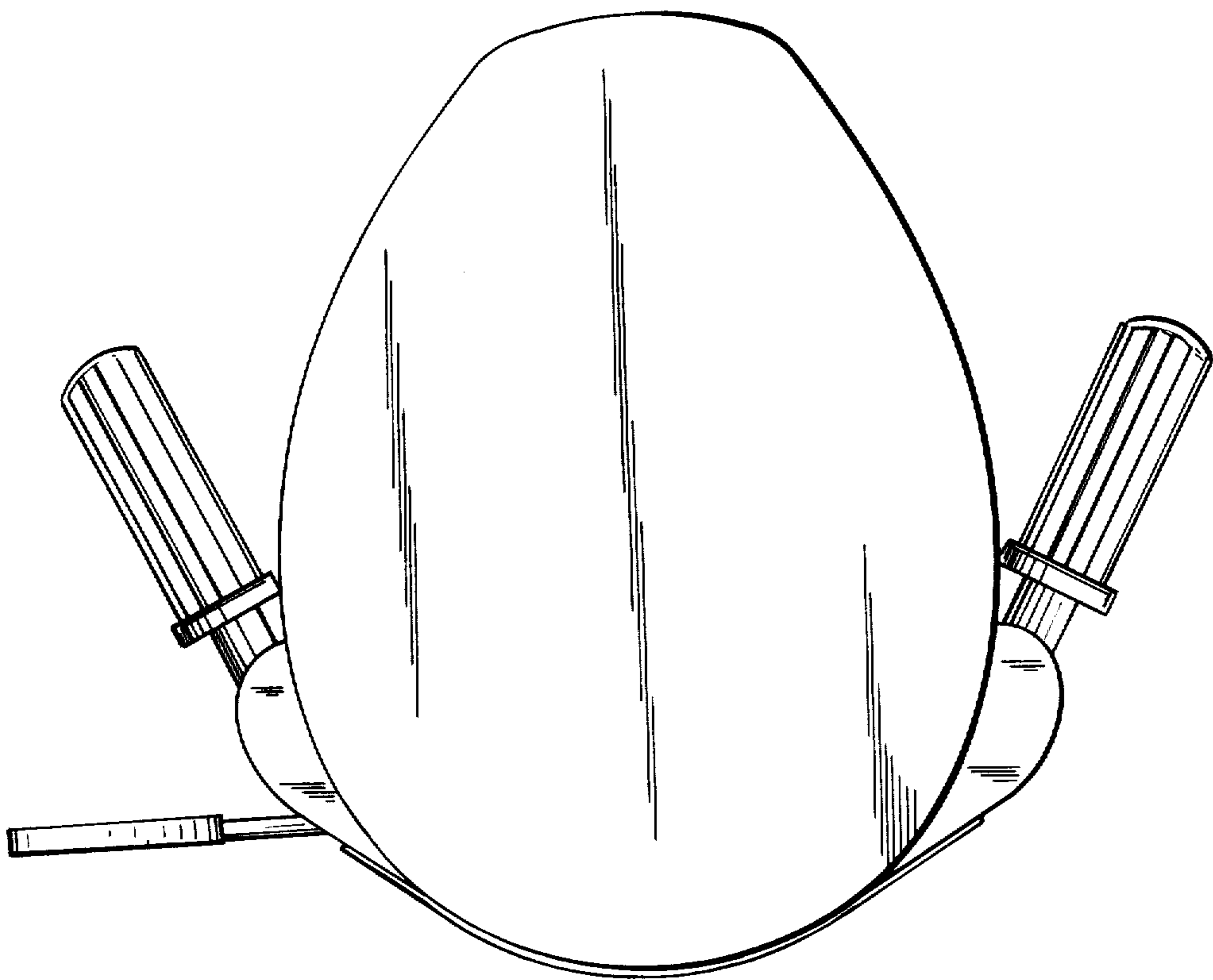


FIG. 3

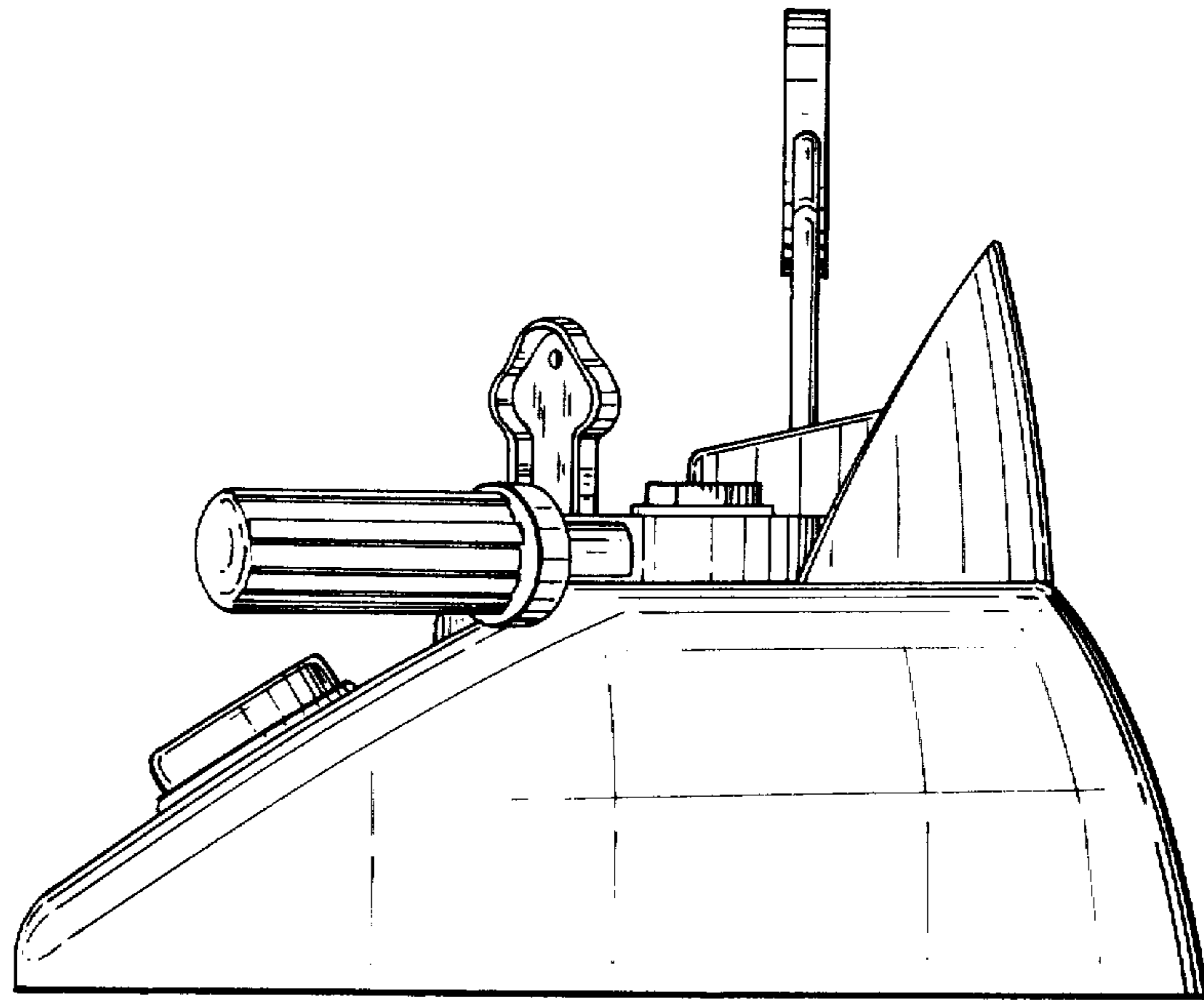


FIG. 4

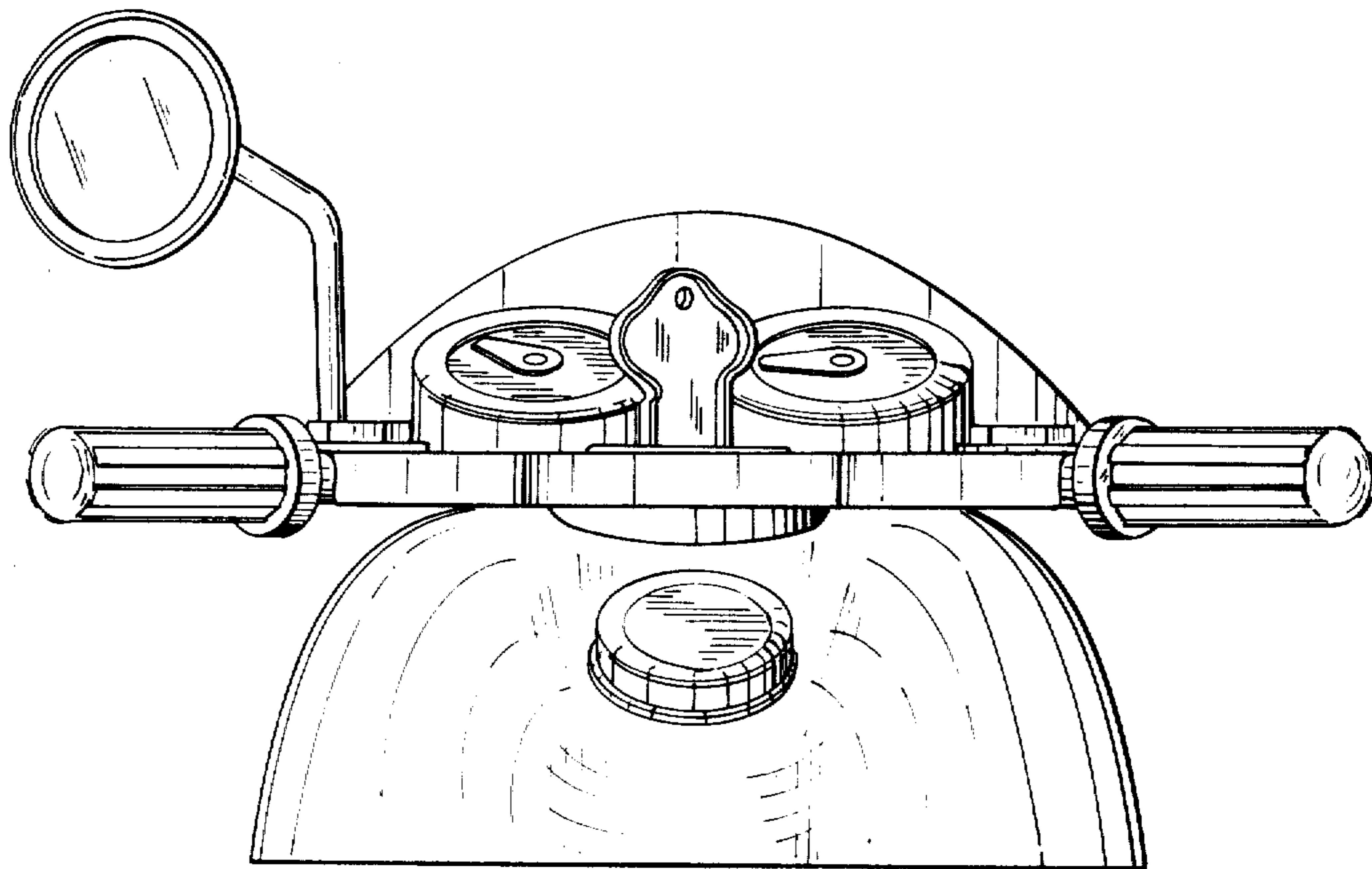


FIG. 5