

[54] TOY DOLLY

[76] Inventor: Suzanne M. Lundy, 2560 County Line Rd., Lake Station, Ind. 46405

[**] Term: 14 Years

[21] Appl. No.: 44,460

[22] Filed: Jun. 1, 1979

[51] Int. Cl. D21-01

[52] U.S. Cl. D21/134

[58] Field of Search D21/71, 76, 78, 79, D21/81, 134; D12/31, 32, 34; 46/201, 202, 222; 280/7.1, 47.34

[56] References Cited

U.S. PATENT DOCUMENTS

- D. 211,165 5/1968 Kreider D12/34
- D. 250,327 11/1978 Blatzer et al. D12/34
- 3,829,113 8/1974 Epelbaum 280/47.34

FOREIGN PATENT DOCUMENTS

1077765 11/1954 France D12/34

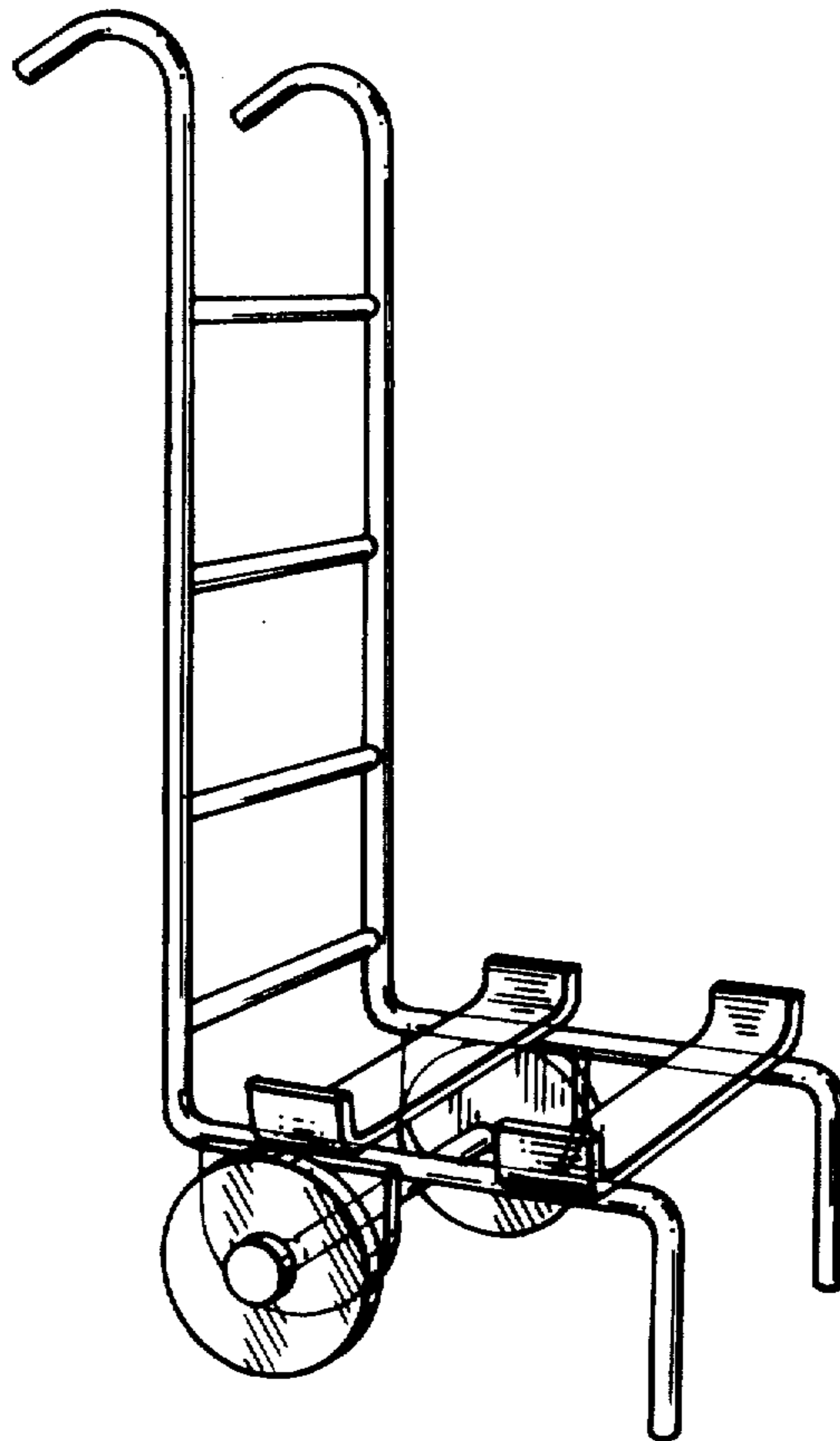
Primary Examiner—Charles A. Rademaker
Attorney, Agent, or Firm—Marmaduke A. Hobbs

[57] CLAIM

The ornamental design for a toy dolly, substantially as shown and described.

DESCRIPTION

FIG. 1 is a perspective view of a toy dolly showing my new design;
 FIG. 2 is a front elevational view thereof shown on an enlarged scale;
 FIG. 3 is a right side elevational view thereof;
 FIG. 4 is a rear elevational view thereof;
 FIG. 5 is a top plan view thereof; and
 FIG. 6 is a perspective view of a modified form of the design shown in FIGS. 1 through 5.



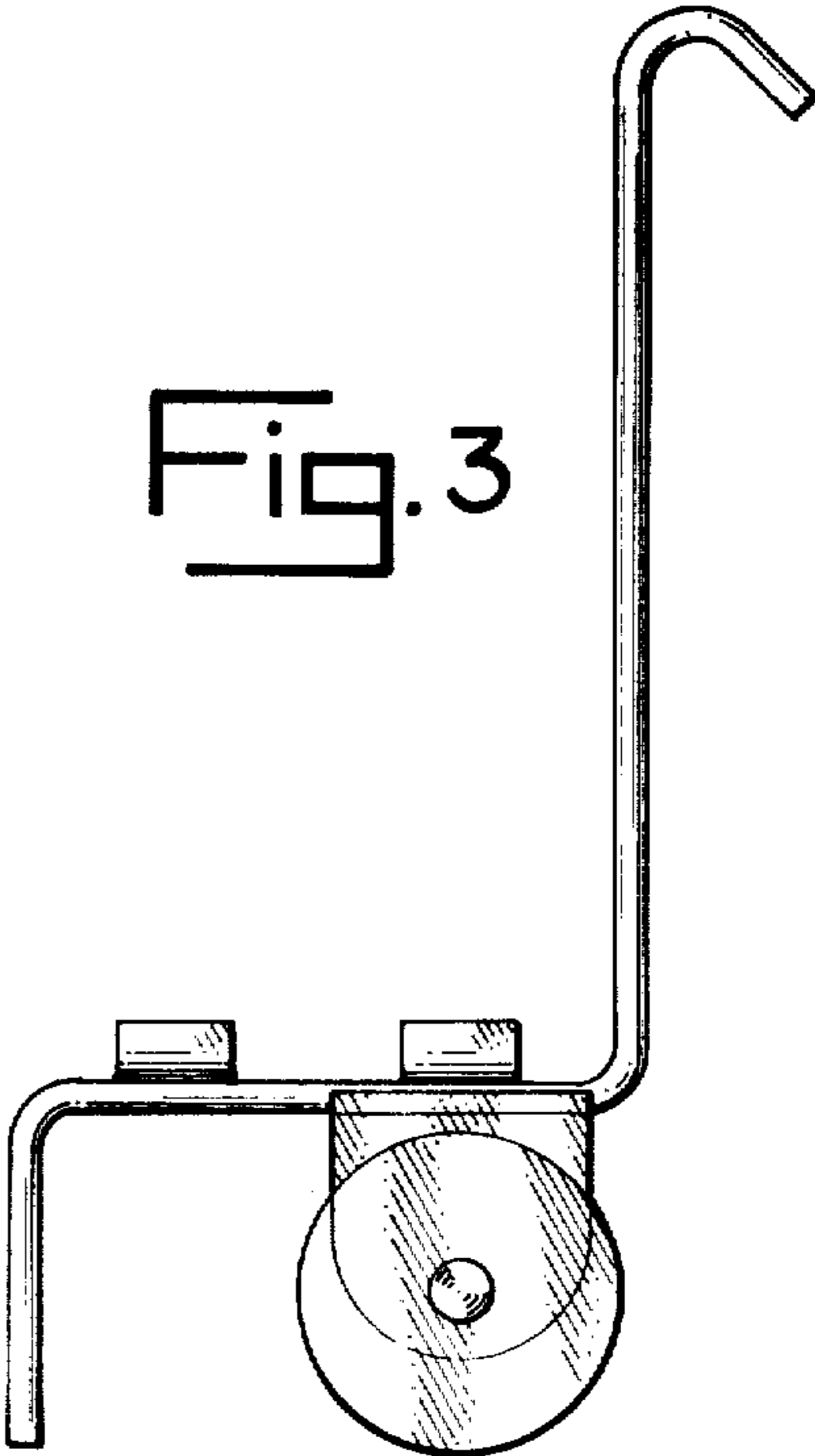
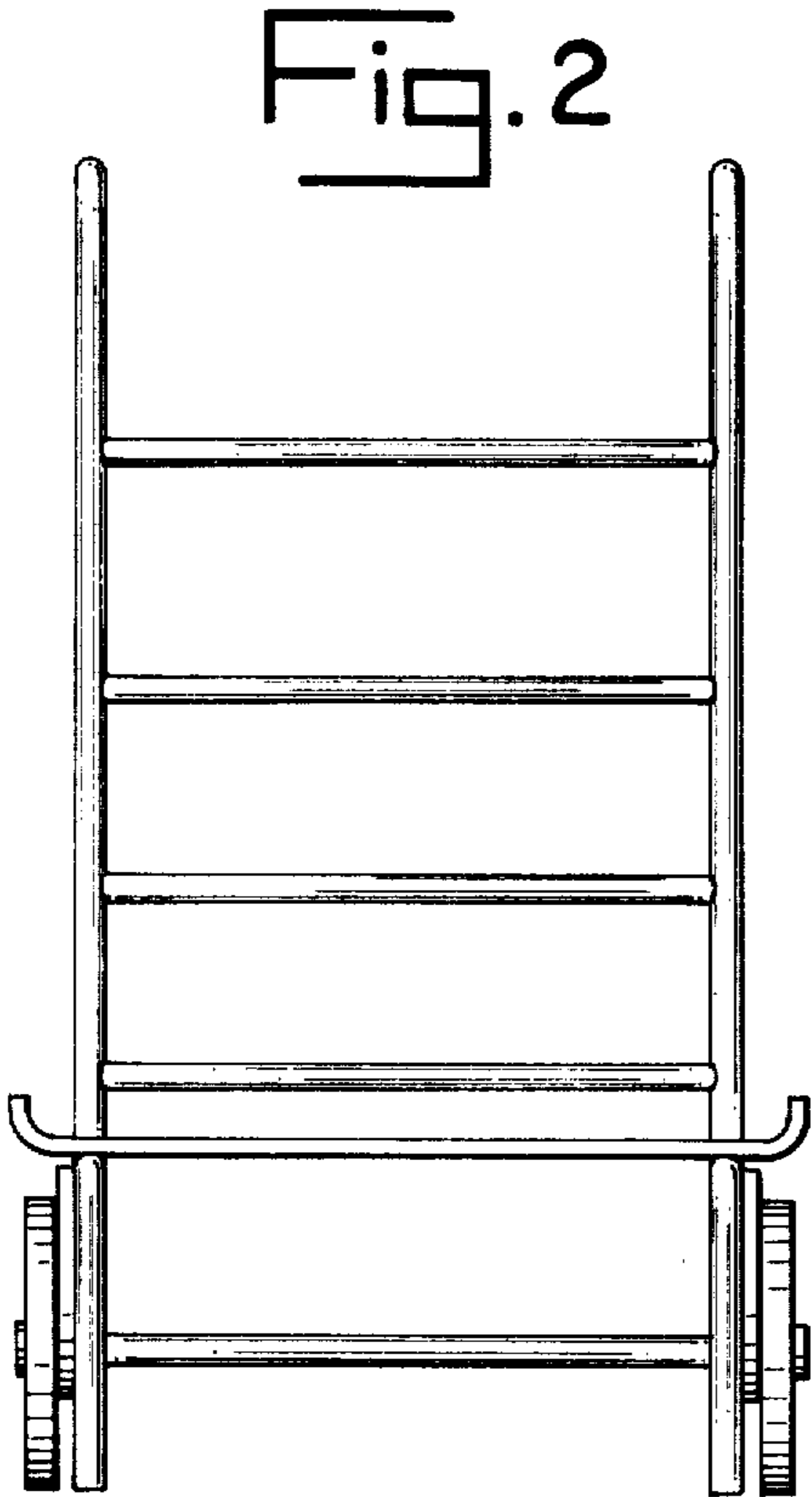
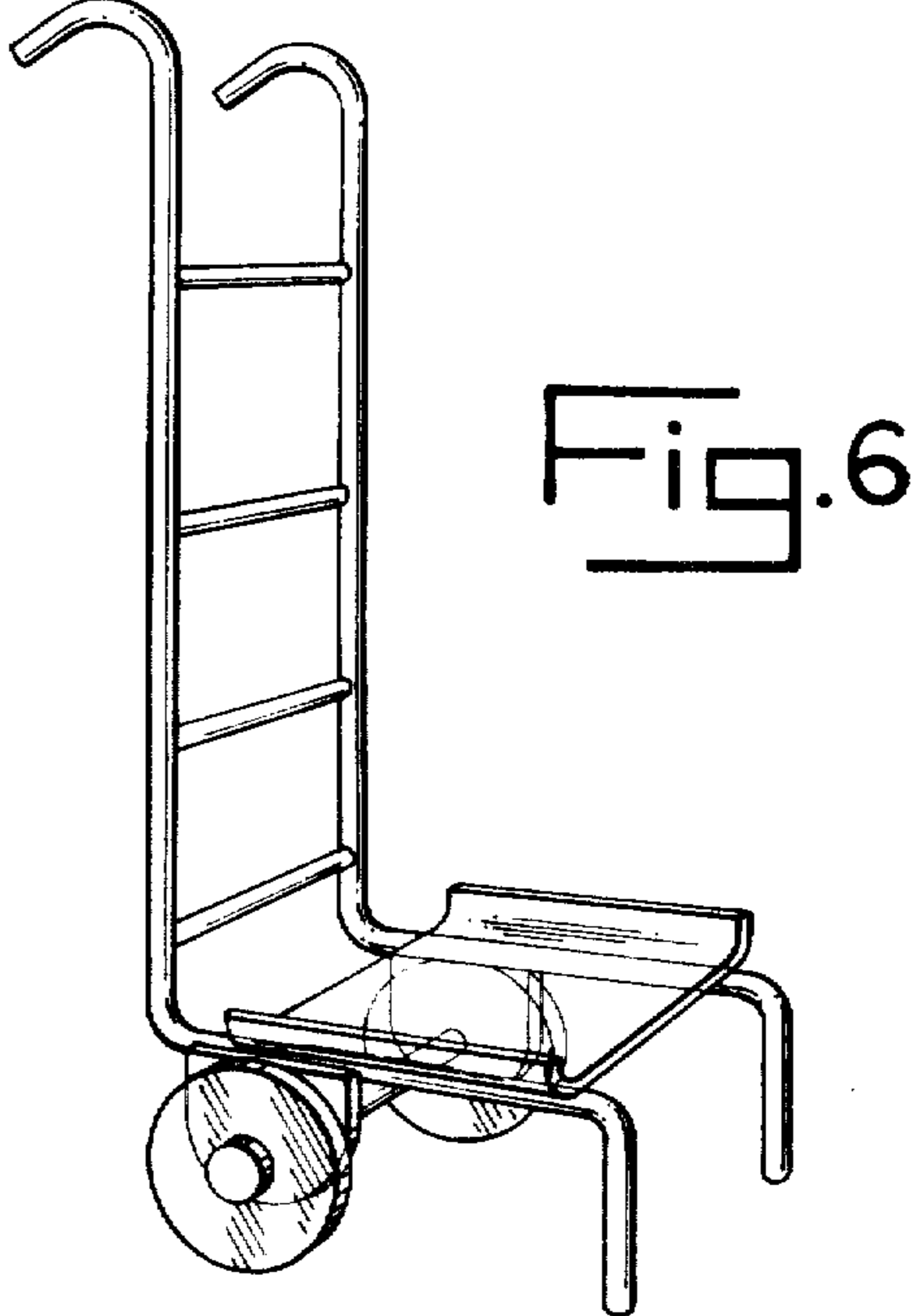
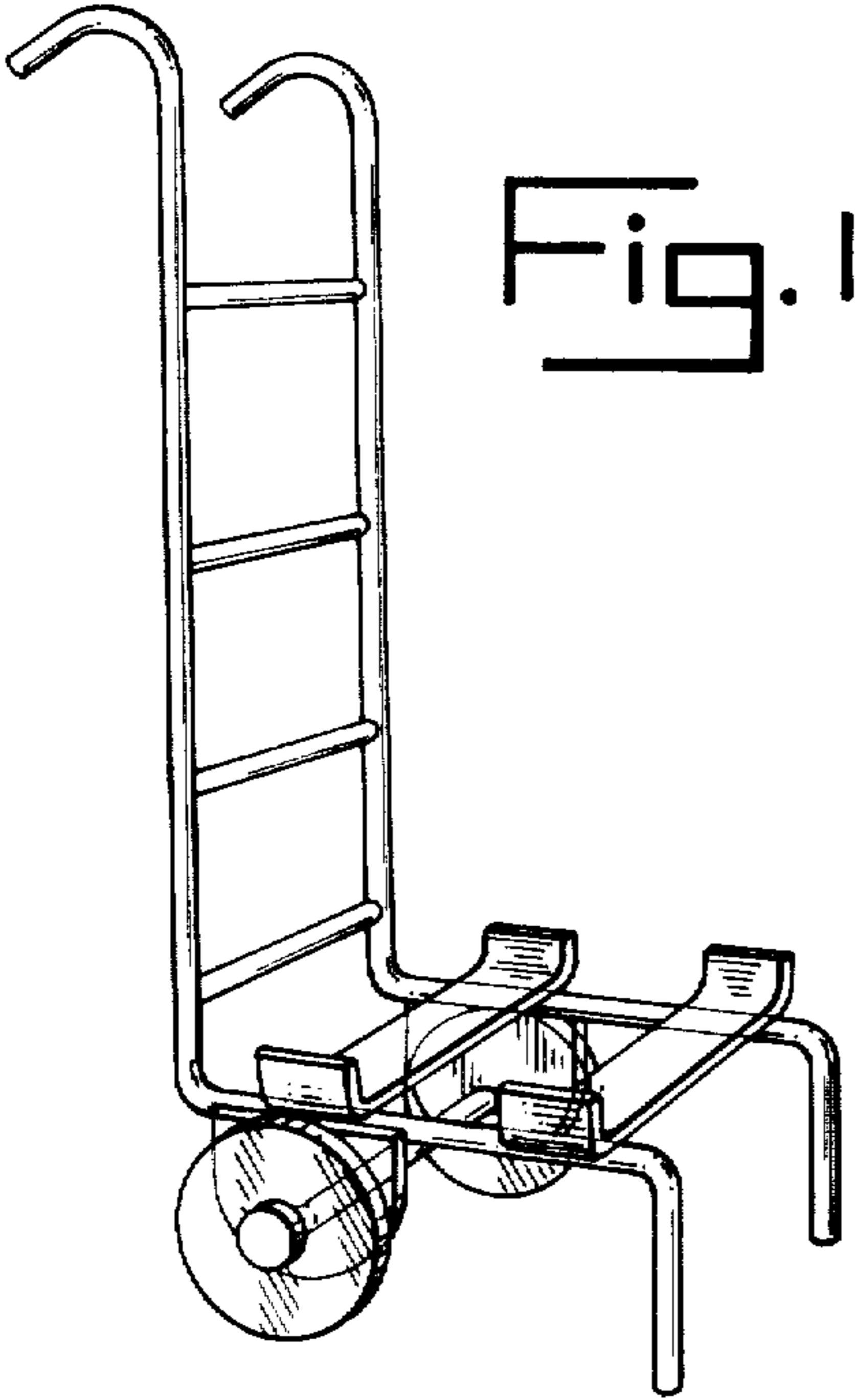


Fig. 4

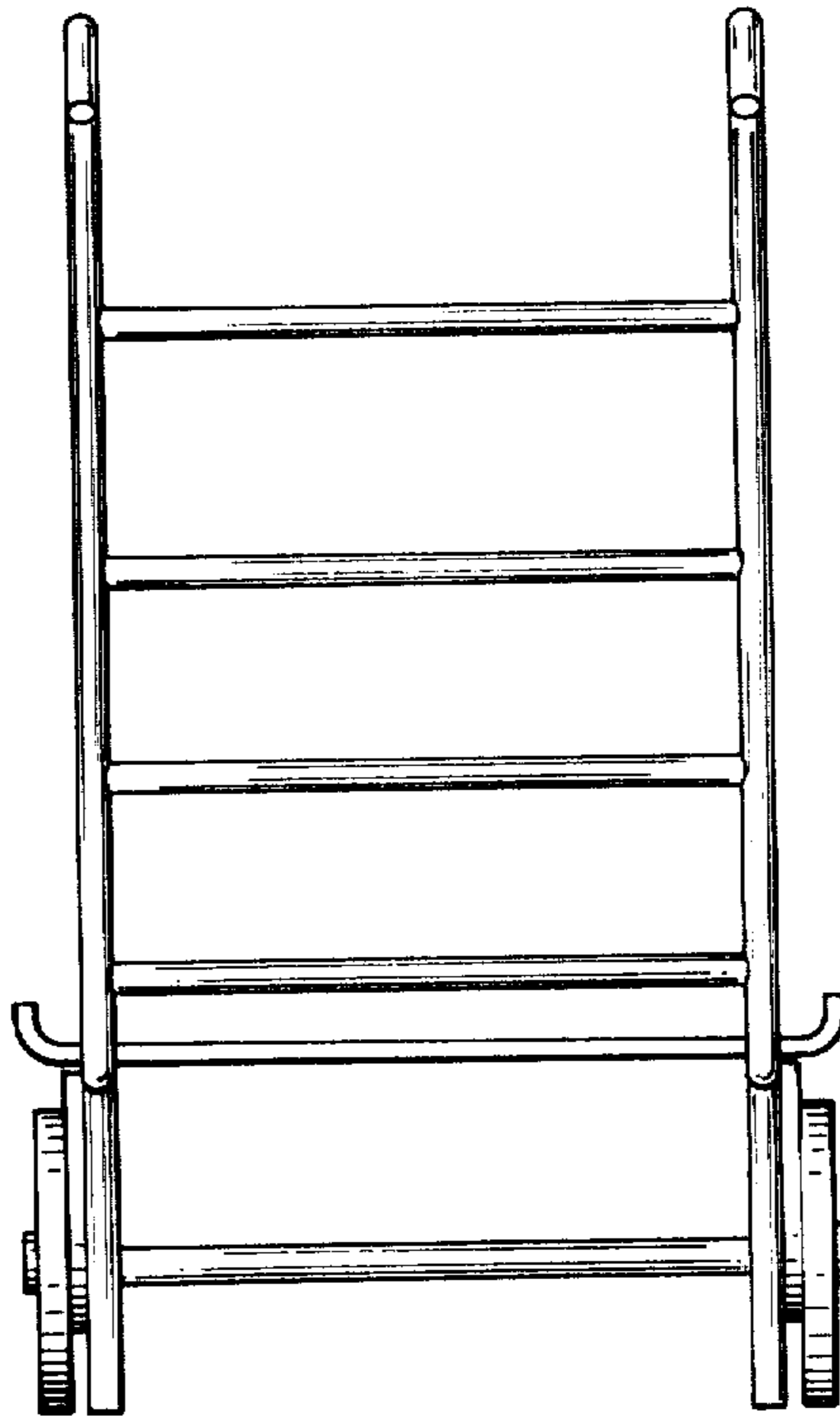


Fig. 5

