

[54] TOY OVEN

[75] Inventors: Lawrence T. Jones, Playa Del Rey; Anson Sims, Granada Hills; Ashley G. Howden; Mark S. Knighton, both of Los Angeles; LC James Kingsbury, Fountain Valley, all of Calif.

[73] Assignee: California R & D Center, Culver City, Calif.

[\*\*] Term: 14 Years

[21] Appl. No.: 119,183

[22] Filed: Feb. 6, 1980

[51] Int. Cl. ..... D21-01  
[52] U.S. Cl. ..... D21/122  
[58] Field of Search ..... D21/121, 122, 113, 110, D21/111, 109; D7/126, 128, 123, 116; 46/14, 1 L, 11

[56]

References Cited

U.S. PATENT DOCUMENTS

D. 141,570 6/1945 Brunetti ..... D21/122  
D. 207,265 3/1967 Blumenthal ..... D21/122  
D. 215,165 9/1969 Adickes et al. .... D21/122  
660,782 10/1900 Strumpell ..... D19/62

FOREIGN PATENT DOCUMENTS

13872 3/1956 Fed. Rep. of Germany ..... 46/14

Primary Examiner—Charles A. Rademaker  
Attorney, Agent, or Firm—Jackson, Jones & Price

[57]

CLAIM

The ornamental design for a toy oven, substantially as shown and described.

DESCRIPTION

FIG. 1 is a perspective view of a toy oven showing our new design;  
FIG. 2 is an end elevational view, the end opposite being substantially a mirror image;  
FIG. 3 is a side elevational view thereof, the side opposite being substantially a mirror image;  
FIG. 4 is a top plan view thereof; and,  
FIG. 5 is a bottom plan view thereof.

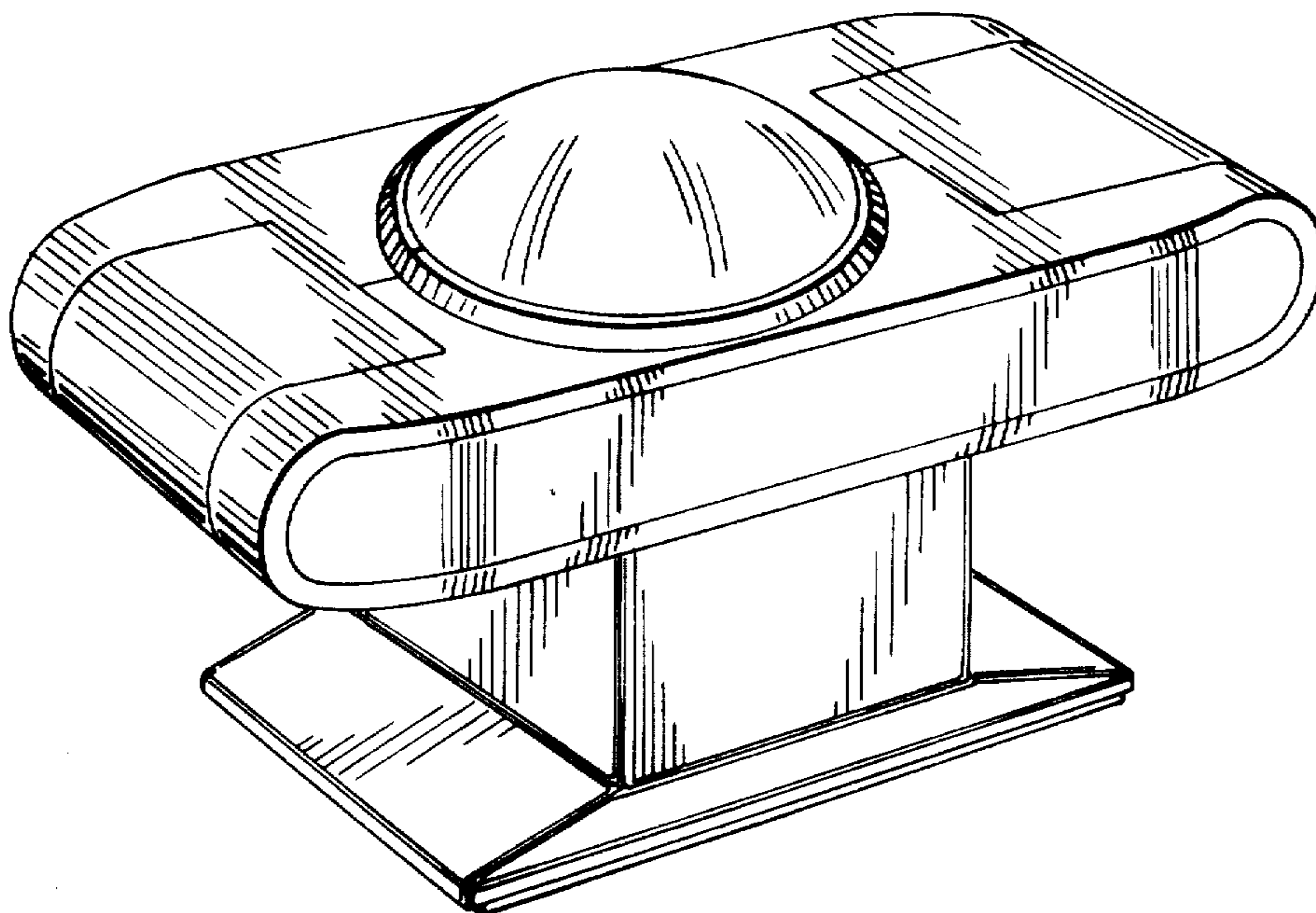


FIG. 1

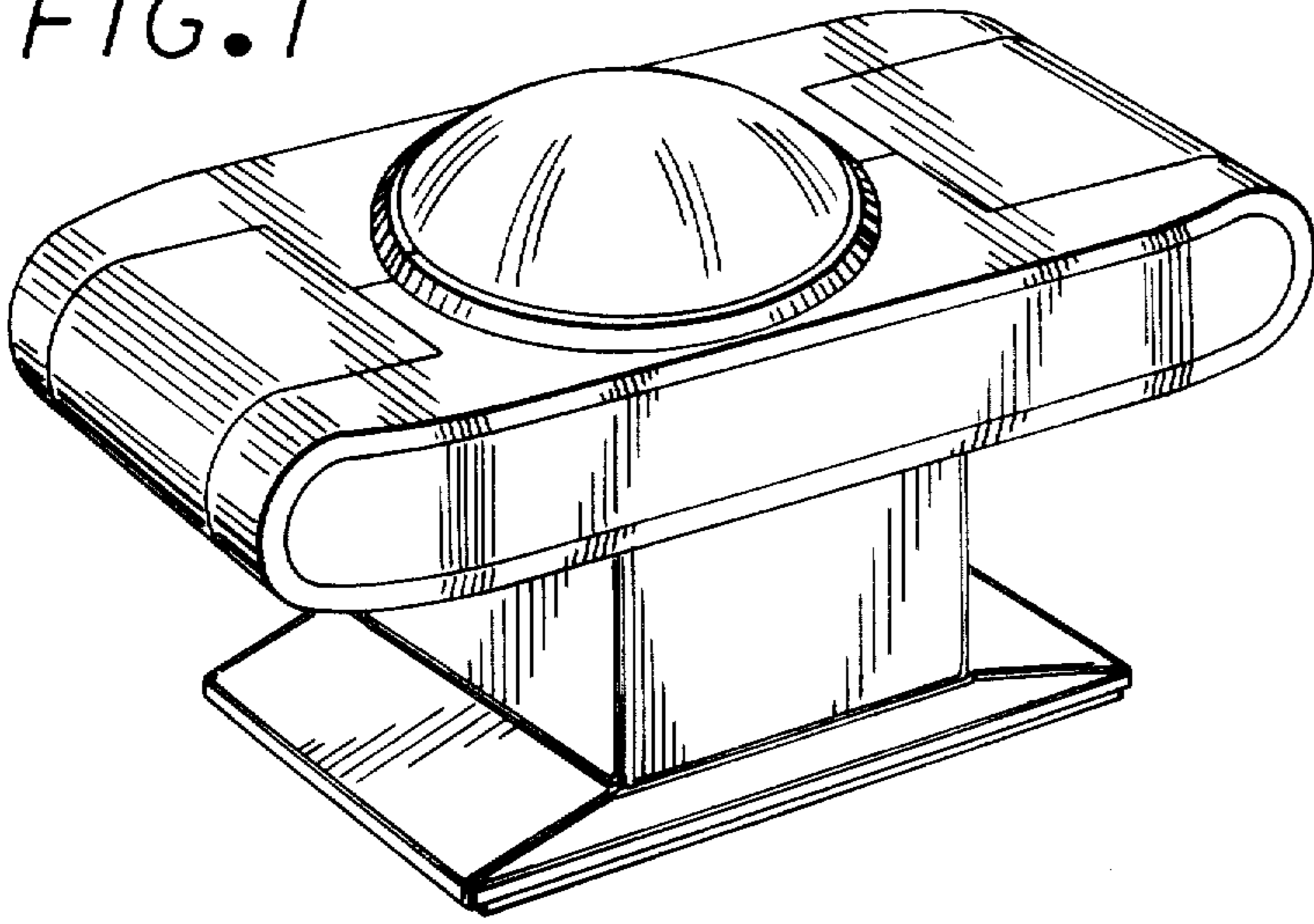


FIG. 2

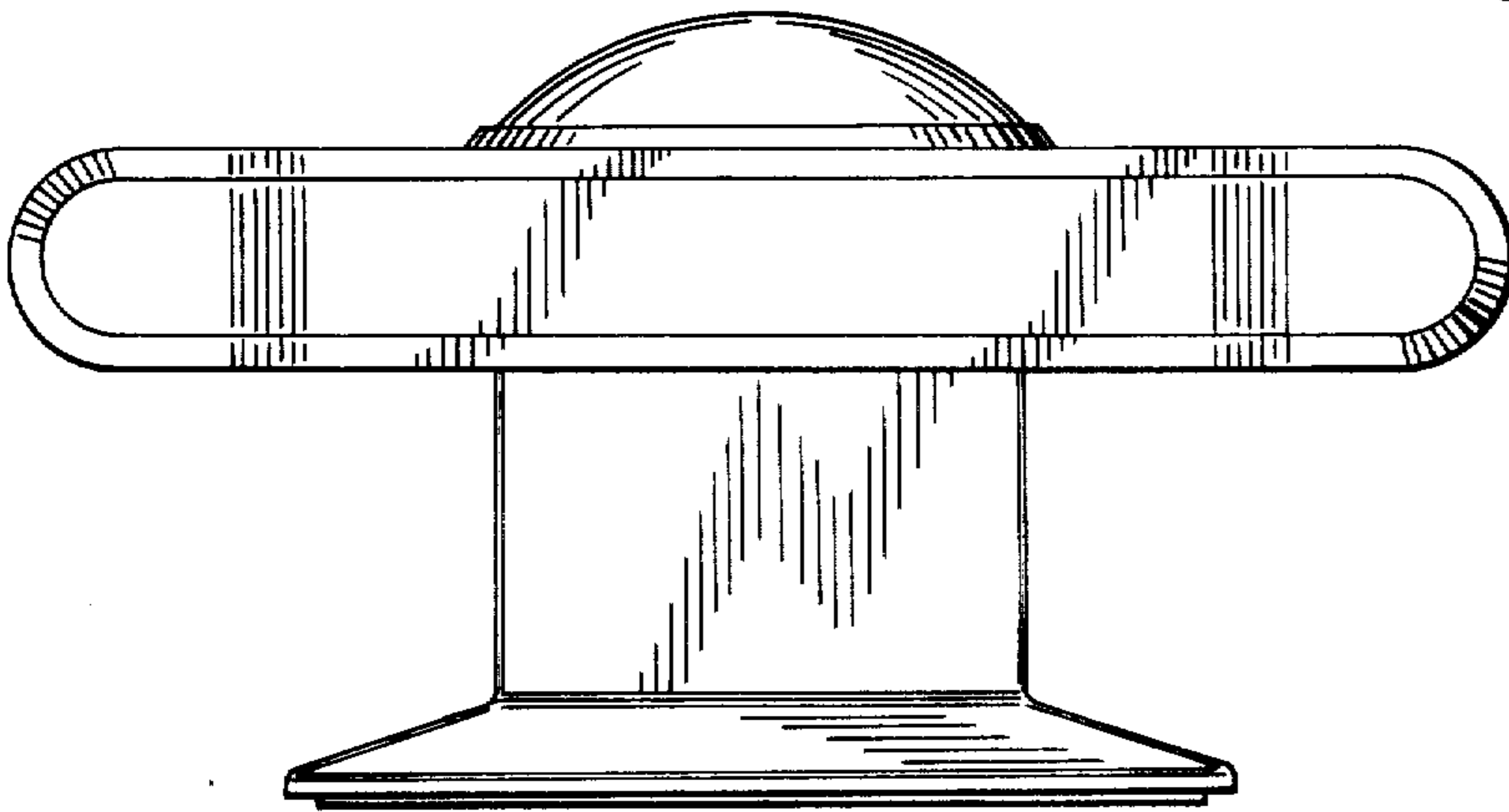
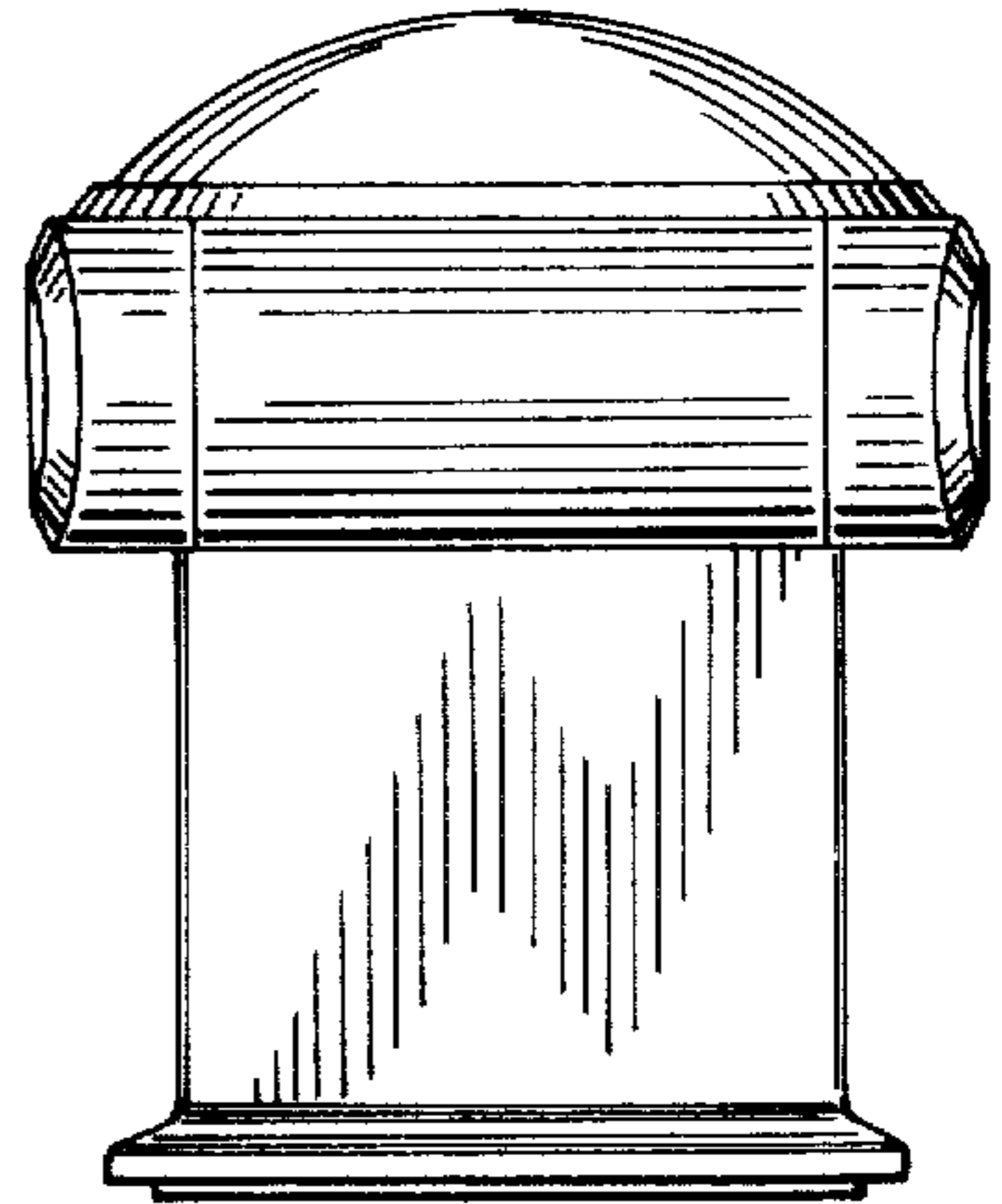


FIG. 3

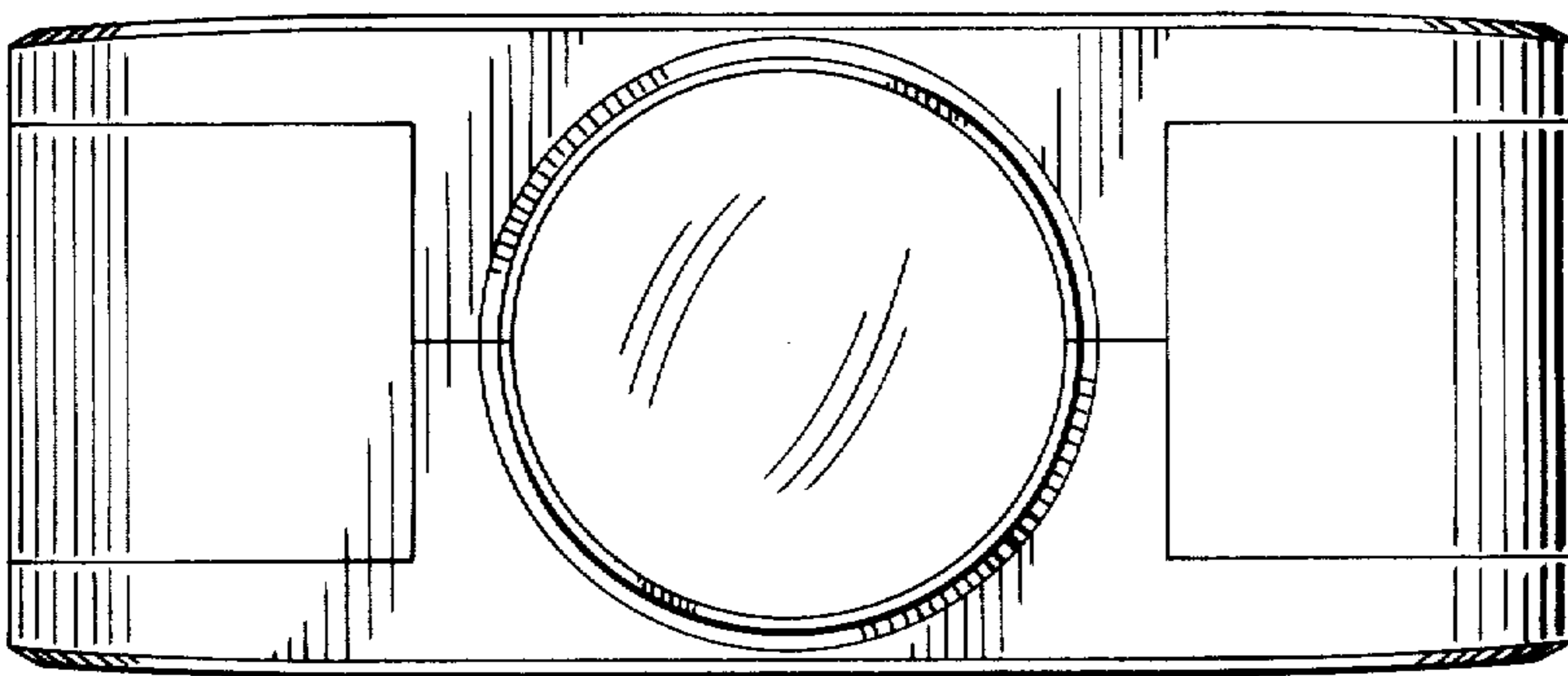


FIG. 4

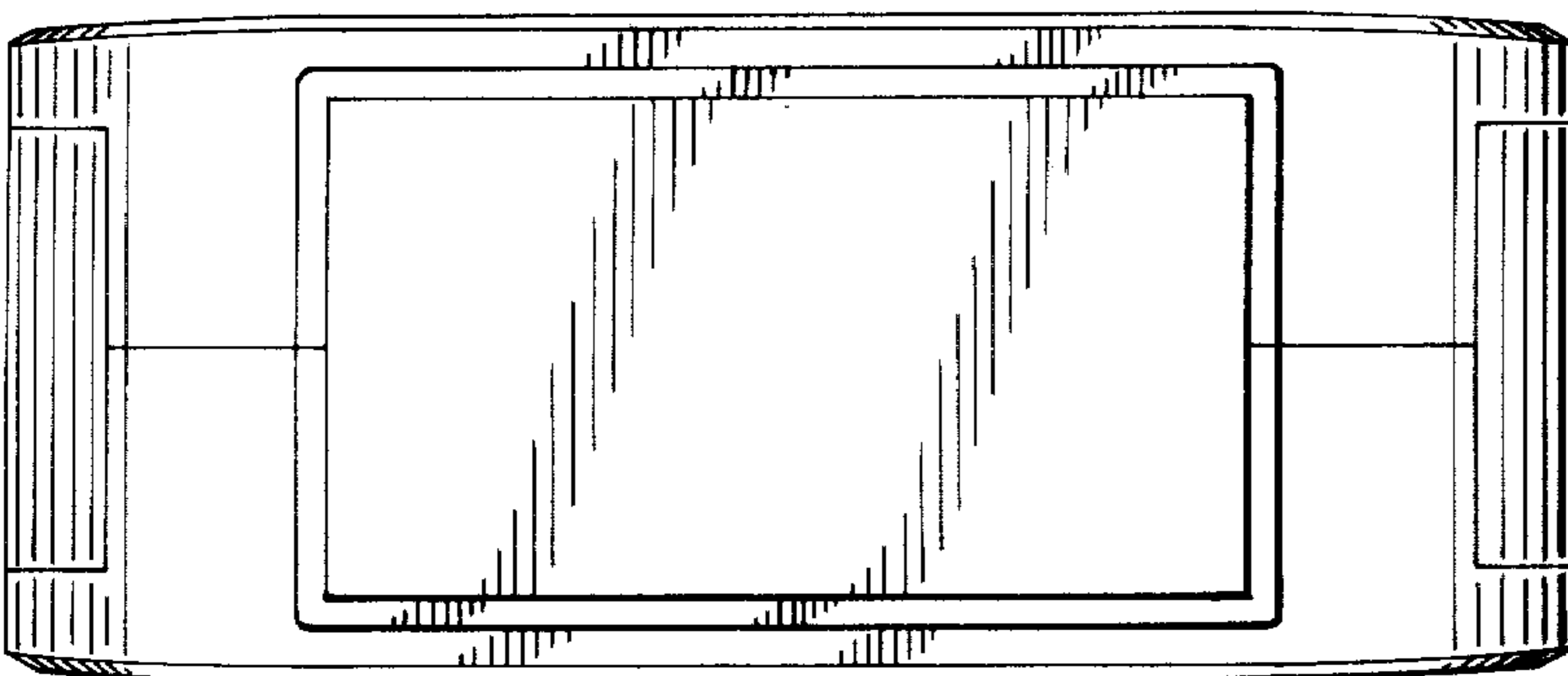


FIG. 5