

[54] **CRACK SEALER**

[76] **Inventor: John H. Bopst, III, 409 Chalfonte Dr., Baltimore, Md. 21228**

[**] **Term: 14 Years**

[21] **Appl. No.: 49,200**

[22] **Filed: Jun. 18, 1979**

[51] **Int. Cl. D15—99**

[52] **U.S. Cl. D15/144; D8/14; D8/30; 156/577**

[58] **Field of Search D15/144; D8/30, 14; 156/233, 523, 527, 577, 579, 583**

[56] **References Cited**

U.S. PATENT DOCUMENTS

D. 253,512 11/1979 Davenport D8/14
4,248,659 2/1981 Bopst 156/579

Primary Examiner—Veronica O'Keefe
Attorney, Agent, or Firm—John F. McClellan, Sr.

[57] **CLAIM**

The ornamental design for a crack sealer, substantially as shown and described.

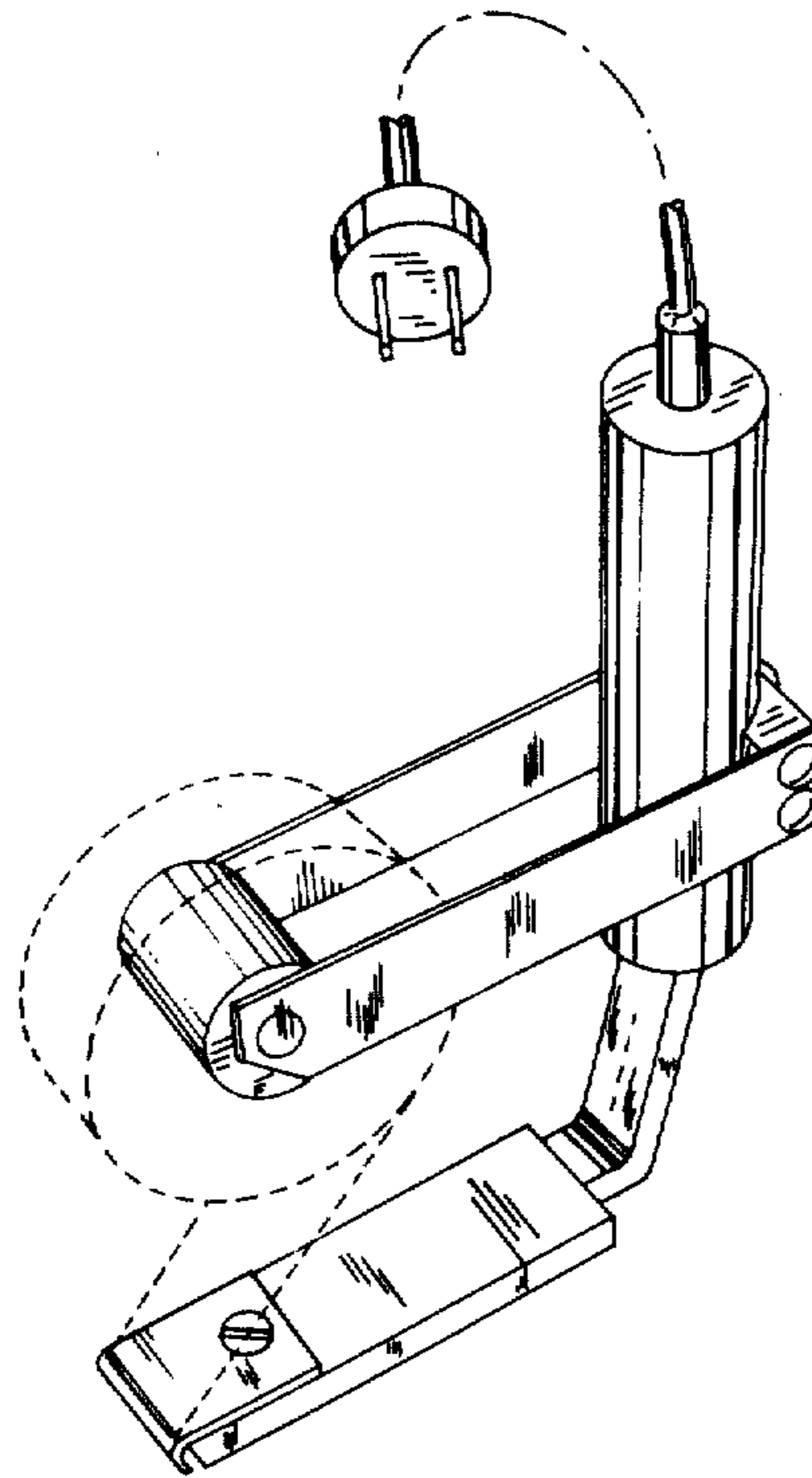
DESCRIPTION

FIG. 1 is a perspective view showing my new design for a crack sealer;

FIG. 2 is a side elevational view thereof, and

FIG. 3 is a bottom plan view.

The electric cords are fragmentarily shown in FIGS. 1 and 2 to illustrate their indeterminate length. The roller in FIGS. 1 and 2 is shown for illustrative purposes only.



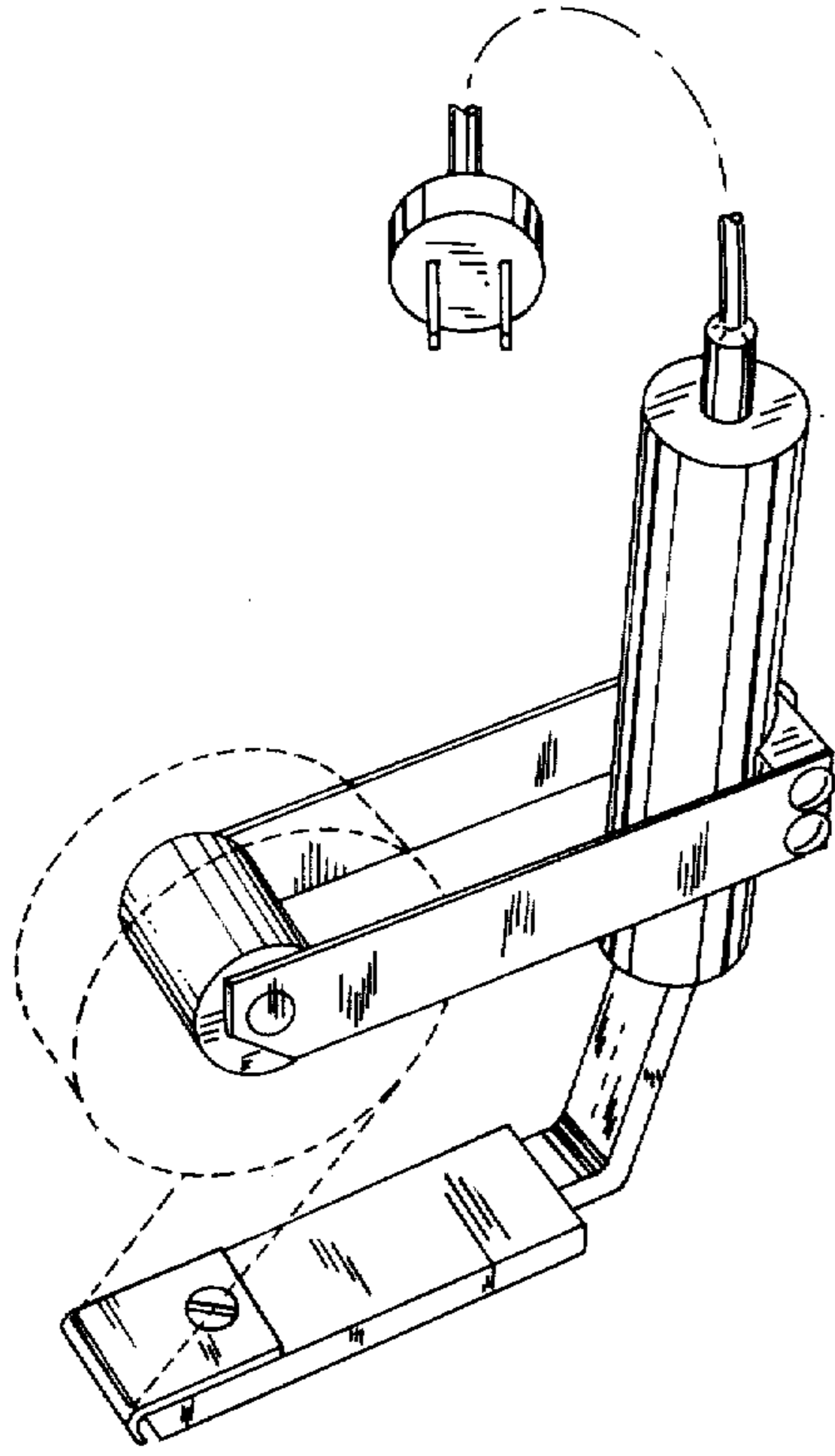


FIG. 1

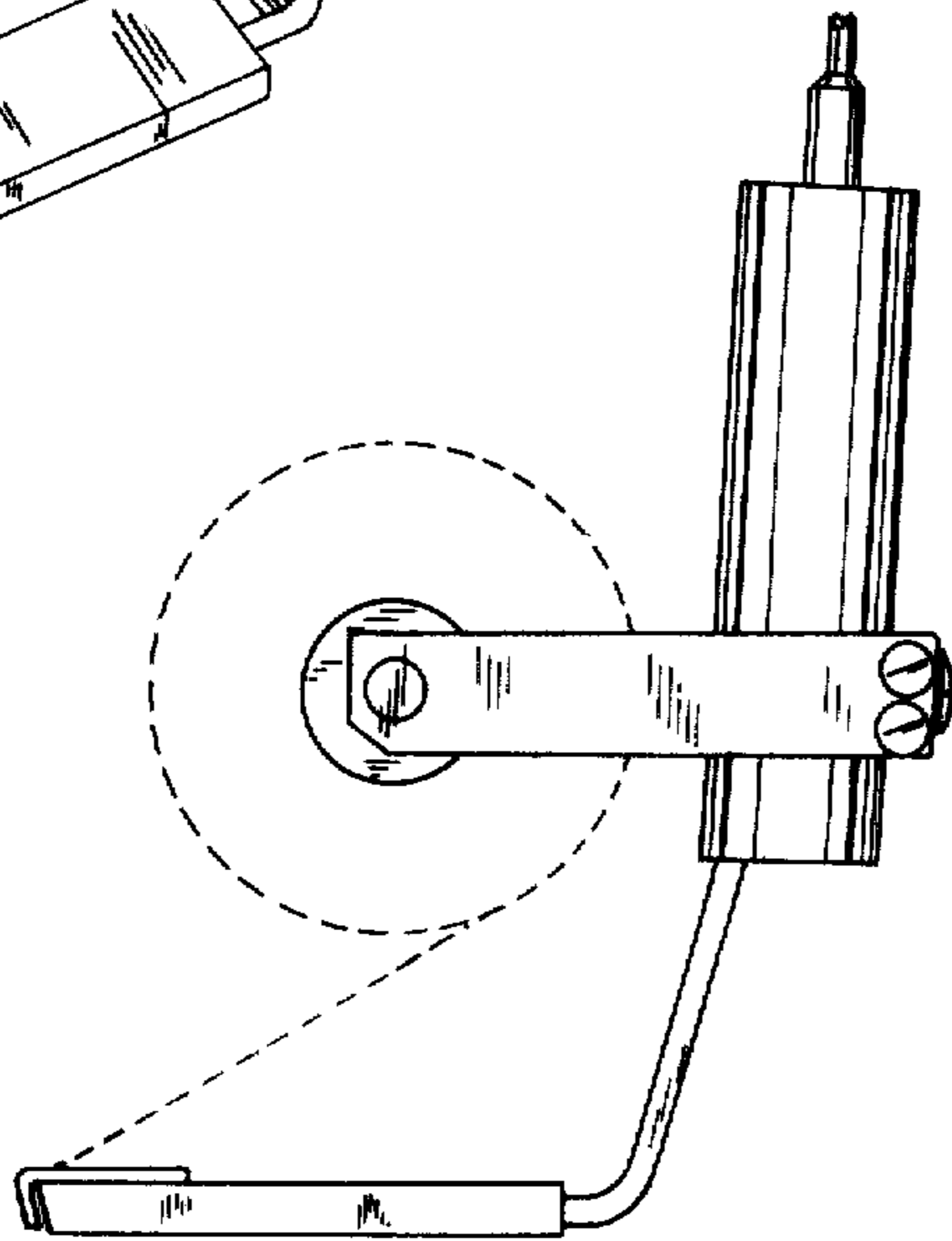


FIG. 2

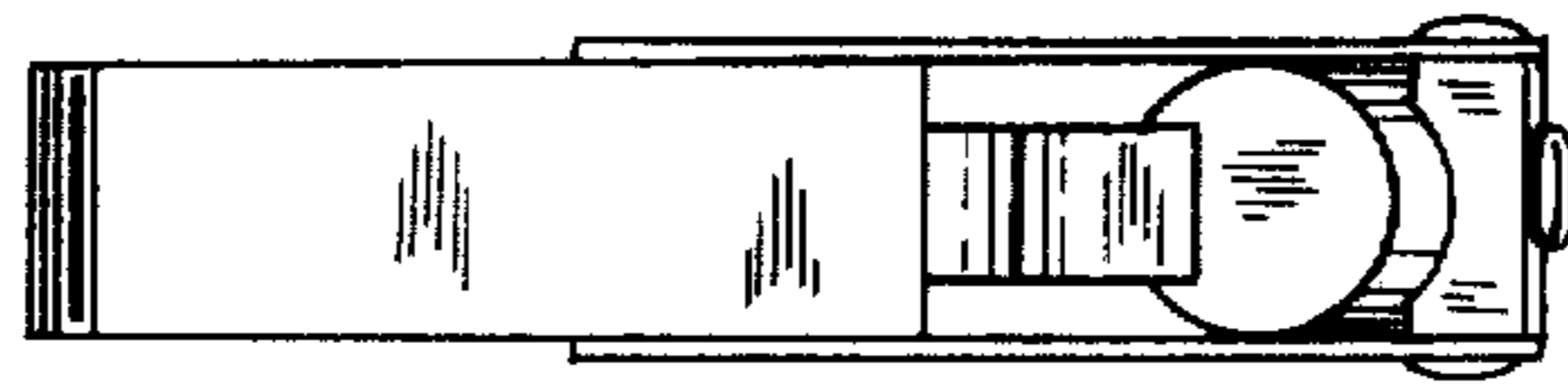


FIG. 3